



US00D805078S

(12) **United States Design Patent** (10) **Patent No.:** **US D805,078 S**
Bottazzi et al. (45) **Date of Patent:** **** Dec. 12, 2017**

(54) **BARCODE READING MODULE**

(71) Applicant: **Datalogic IP Tech S.r.l.**, Lippo di Calderara di Reno (IT)

(72) Inventors: **Davide Bottazzi**, Bologna (IT); **Federico Canini**, Zola Predosa (IT); **Anna Guagliumi**, Calderara di Reno (IT); **Kurt Vonmetz**, Bologna (IT)

(73) Assignee: **DATALOGIC IP TECH S.R.L.**, Lippo di Calderara di Reno (Bologna) (IT)

(**) Term: **15 Years**

(21) Appl. No.: **29/544,682**

(22) Filed: **Nov. 5, 2015**

(30) **Foreign Application Priority Data**

May 7, 2015 (EP) 002696088

(51) **LOC (10) Cl.** **14-02**

(52) **U.S. Cl.**
USPC **D14/420; D14/453**

(58) **Field of Classification Search**
USPC D14/421-425, 420; D18/55, 49, 46, 40, D18/36-39, 41, 44, 45, 47, 48, 50-54, D18/56; 235/462, 455, 470, 462.43, 482, 235/483, 462.21, 472.01, 435, 439, 440, 235/446, 454, 461, 462.32, 462.35, 235/462.41, 462.42, 463, 462.22, 462.23, 235/462.15, 462.2, 462.25; 358/474, 486, 358/488, 496, 497, 498, 452, 449, 451, 358/453, 1.13; 318/685, 696; 355/81, 355/75; 399/405, 367, 379, 380; 382/217; 715/209, 222, 226, 274; 400/613, 613.1-613.4, 690.1-690.4, 400/691-694; 359/566, 599, 641, 811, 359/213.1, 819; 348/345, 208.7, 219.1, 348/373, 374, 375

CPC .. D07G 1/0036; D07G 1/0045; D07G 1/0063; D07G 1/0072; D07G 1/009; G08B 13/1427; G08B 13/1472; G08B 13/1481;

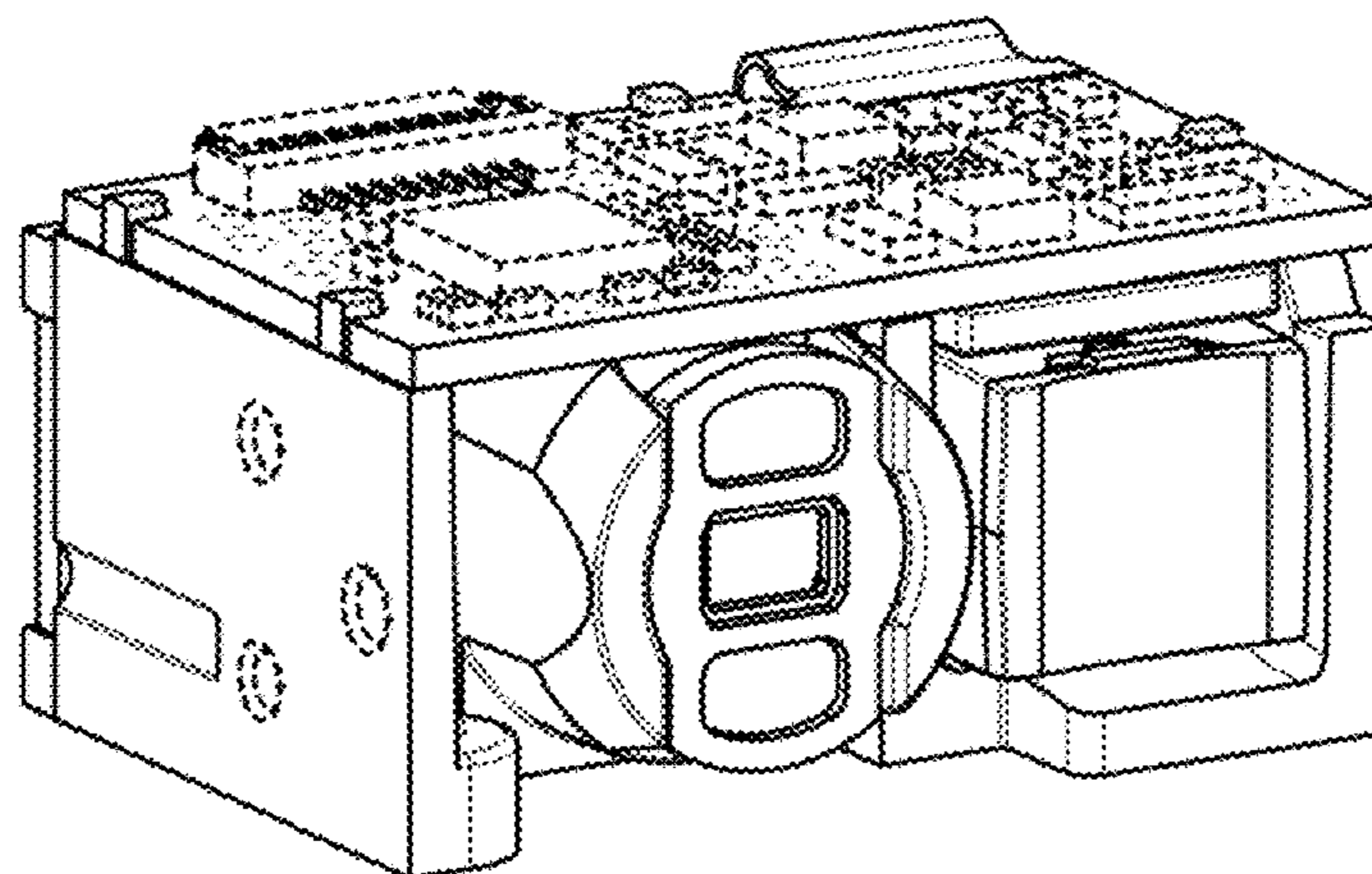
G08B 13/194; G08B 13/246; G08B 13/2462; G08B 13/2465; A47F 9/04; A47F 9/046; A47F 9/047; A47F 9/048; A47F 10/02; A47F 2010/005; A47F 2010/025; G06K 7/10693; G06K 7/10712; G06K 7/10722; G06K 7/10792; G06K 7/10801; G06K 7/10811; G06K 7/10831; G06K 7/10851; G06K 7/10861; G06K 7/1096; G06K 7/1097; G06K 7/1098; G06K 7/12; G06K 7/14; G06K 7/1408; G06K 7/1413; G06K 7/1417; G06K 7/1421; G06K 7/1426; G06K 7/143; G06K 7/1434; G06K 7/1439; G06K 7/1443; G06K 7/1447; G06K 7/1452; G06K 7/1456; G06K 7/146; G06K 7/1465; G06K 7/1469; G06K 7/1473; G06K 7/1478; G06K 7/1482; G06K 7/1486; G06K 2007/10485; G06K 7/10544-7/10762; G06K 7/10821-7/10871; G06K 7/1404-7/1495; G06K 2207/00; G06K 2207/1011-2207/1018; G06K 7/10881; G06K 7/10633; G06K 7/10702; G01G 19/4144; G01G 21/22; G01G 21/28; G01G 23/32; G01G 23/34; G01G 23/35; G01G 23/375; G01G 23/38; G01G 23/44; G07G 1/0063; G07G 1/0072; G07G 3/006; G02B 5/09; G02B 7/021; G02B 7/003; G02B 7/00; G02B 7/026; G02B 7/02; G02B 7/30; G02B 7/1821; G02B 13/005; G02B 13/006; G02B 13/0075; G02B 13/008; G02B 26/105; G02B 6/4204; G02B 6/4226; H04N 5/2251; H04N 5/2252-5/2258; H04N 2005/2255; H04N 2005/2256; G06T 2211/00; G03B 13/20

See application file for complete search history.

(56) **References Cited**

U.S. PATENT DOCUMENTS

5,233,382 A * 8/1993 Taniguchi G01C 3/085 356/3.15
5,539,192 A 7/1996 Scofield et al.



US D805,078 S

Page 2

5,629,510	A	5/1997	Quinn et al.		2007/0228306	A1	10/2007	Gannon et al.
5,714,750	A	2/1998	Eastman et al.		2007/0253048	A1*	11/2007	Sakai G02B 26/124
5,717,969	A *	2/1998	Miyamoto	G02B 7/08				359/204.5
				396/535				
6,025,963	A *	2/2000	Hippenmeyer	G02B 6/4204				
				359/811				
6,123,263	A *	9/2000	Feng	G06K 7/10732				
				235/462.42				
6,318,635	B1 *	11/2001	Stoner	G06K 7/10722				
				235/462.32				
6,427,916	B1	8/2002	Ishii et al.					
6,498,624	B1 *	12/2002	Ogura	G02B 13/0055				
				348/220.1				
6,637,657	B2	10/2003	Barkan et al.					
6,969,005	B2	11/2005	Otsubo					
6,976,629	B2 *	12/2005	Carlson	G06K 7/10722				
				235/462.11				
7,131,590	B2	11/2006	Oliva et al.					
7,182,262	B2	2/2007	Wood et al.					
7,197,240	B2 *	3/2007	Uemura	G02B 7/102				
				348/374				
7,273,178	B2	9/2007	Shimura					
7,296,751	B2	11/2007	Barber et al.					
7,556,203	B2	7/2009	Robinson et al.					
7,679,673	B2 *	3/2010	Takekuma	H04N 5/2256				
				348/375				
7,686,216	B2	3/2010	Walczyk et al.					
7,699,227	B2	4/2010	Wang et al.					
7,845,801	B2	12/2010	Slutsky					
7,916,205	B2 *	3/2011	Takahashi	H04N 5/2253				
				348/208.7				
7,934,660	B2	5/2011	Yeakley et al.					
8,038,054	B2	10/2011	Douma					
D682,226	S	5/2013	Omori et al.					
8,441,513	B2 *	5/2013	Sakai	G02B 27/20				
				347/241				
D687,398	S	8/2013	Omori et al.					
8,783,573	B2 *	7/2014	Havens	G06K 7/10722				
				235/462.01				
8,910,872	B2	12/2014	Barkan et al.					
D721,132	S *	1/2015	Kobayashi	D18/56				
D737,822	S	9/2015	Mistkawi et al.					
9,513,458	B1 *	12/2016	Flugge	G02B 7/04				
D779,491	S *	2/2017	Mistkawi	D14/420				
9,665,757	B2 *	5/2017	Feng	H04M 1/0202				
9,672,398	B2 *	6/2017	Gillet	G06K 7/10732				
9,697,401	B2 *	7/2017	Feng	G06K 7/10831				
2002/0001118	A1 *	1/2002	Nakajima	B41J 2/473				
				359/204.1				
2002/0066851	A1 *	6/2002	Hennick	H04N 1/03				
				250/216				
2002/0125322	A1	9/2002	McCall et al.					
2003/0019934	A1	1/2003	Hunter et al.					
2003/0029917	A1	2/2003	Hennick et al.					
2003/0062413	A1	4/2003	Gardiner et al.					
2003/0080187	A1	5/2003	Piva et al.					
2003/0080189	A1	5/2003	Patel et al.					
2003/0089776	A1	5/2003	Hennick et al.					
2003/0107667	A1 *	6/2003	Abe	H04N 5/23293				
				348/341				
2003/0151886	A1 *	8/2003	Buhl	G01R 22/065				
				361/600				
2003/0222147	A1	12/2003	Havens et al.					
2004/0031851	A1 *	2/2004	Bianculli	G06K 7/10722				
				235/462.41				
2004/0046030	A1	3/2004	Okada et al.					
2004/0069855	A1	4/2004	Patel et al.					
2004/0195328	A1 *	10/2004	Barber	G06K 7/10722				
				235/454				
2005/0040238	A1	2/2005	Byun et al.					
2005/0185239	A1	8/2005	Orcutt					
2006/0158695	A1 *	7/2006	Lee	G03B 27/52				
				358/474				
2006/0216014	A1 *	9/2006	Morinaga	G02B 7/026				
				396/144				
2007/0045424	A1	3/2007	Wang					
2007/0108284	A1	5/2007	Pankow et al.					

OTHER PUBLICATIONS

“Symbol SE4500 Integration Guide” © 2008 by Motorola, Inc. (72E-112996-01, Revision A, Dec. 2008).

* cited by examiner

Primary Examiner — Susan Moon Lee
(74) *Attorney, Agent, or Firm* — Duane Morris LLP

(57) CLAIM

We claim the ornamental design for a barcode reading module, as shown and described.

DESCRIPTION

FIG. 1 is a front left isometric view of a barcode reading module according to the present invention.
FIG. 2 is a front view of the barcode reading module of FIG. 1.
FIG. 3 is a rear view of the barcode reading module of FIG. 1.
FIG. 4 is a top view of the barcode reading module of FIG. 1.
FIG. 5 is a bottom view of the barcode reading module of FIG. 1.
FIG. 6 is a left side view of the barcode reading module of FIG. 1; and,
FIG. 7 is a right side view of the barcode reading module of FIG. 1.

Broken lines and unshaded portions contained within broken lines depict portions of the barcode reading module that form no part of the claimed design but are shown for purposes of illustration.

1 Claim, 7 Drawing Sheets

FIG. 1

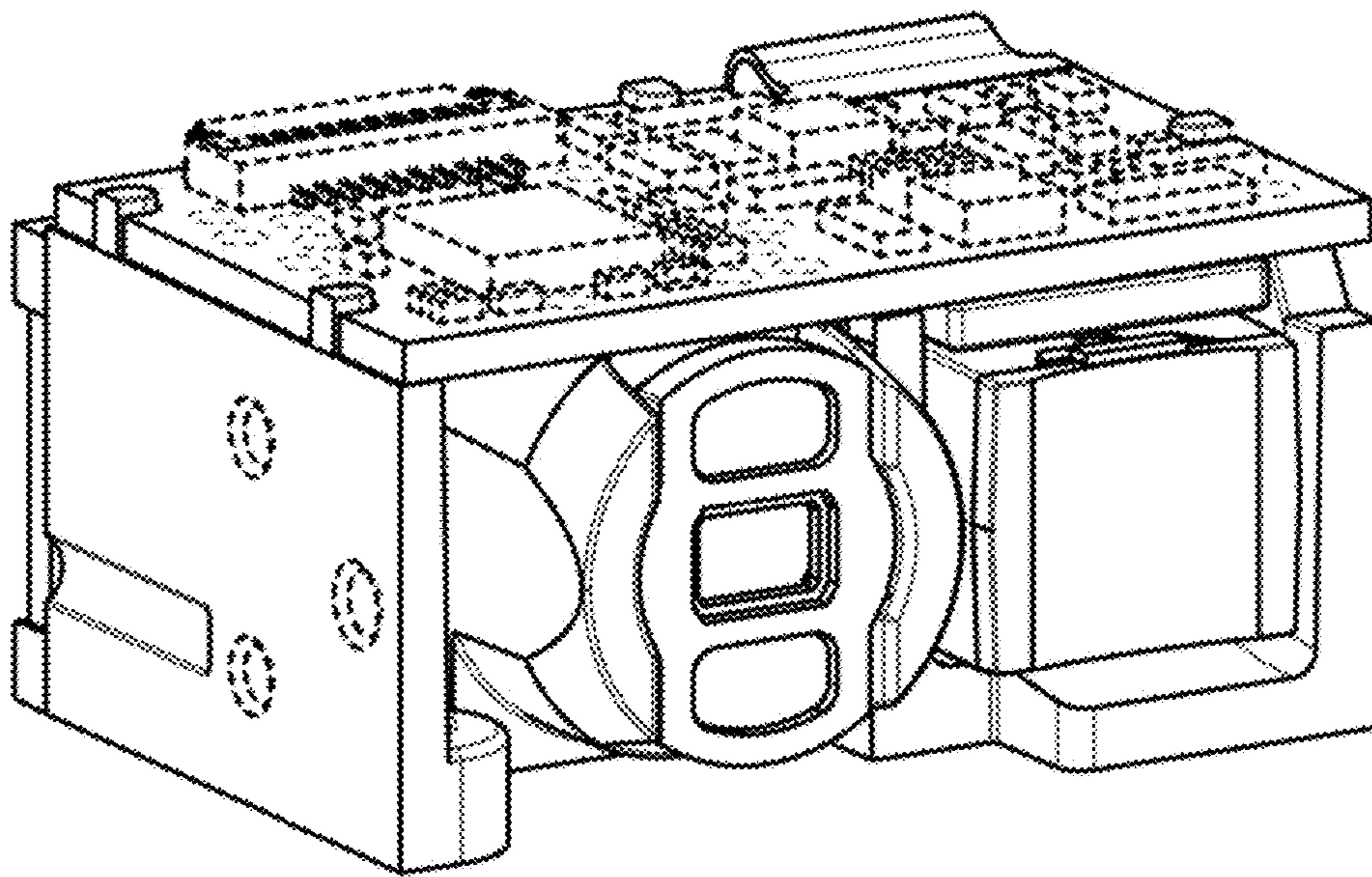


FIG. 2

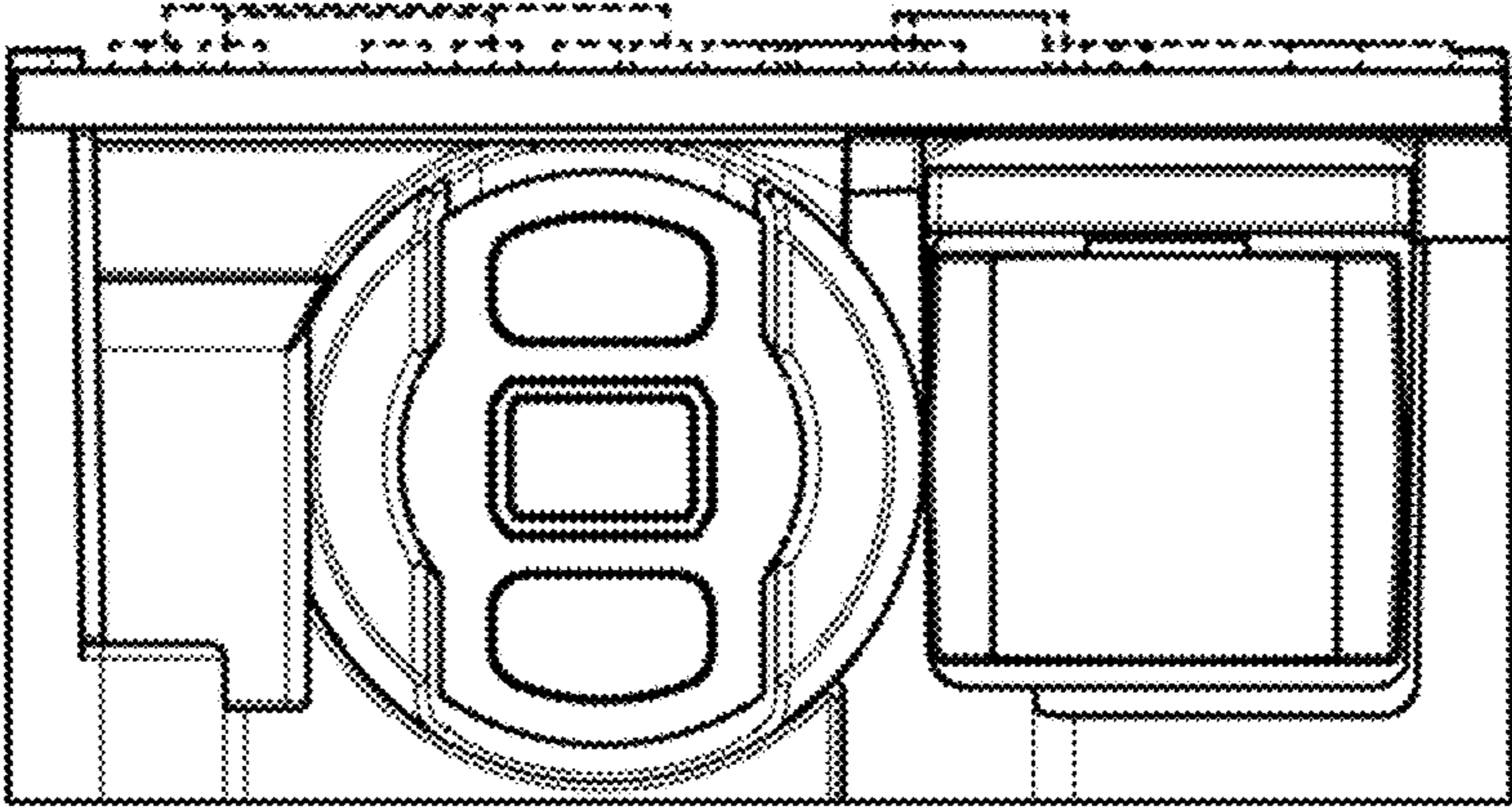


FIG. 3

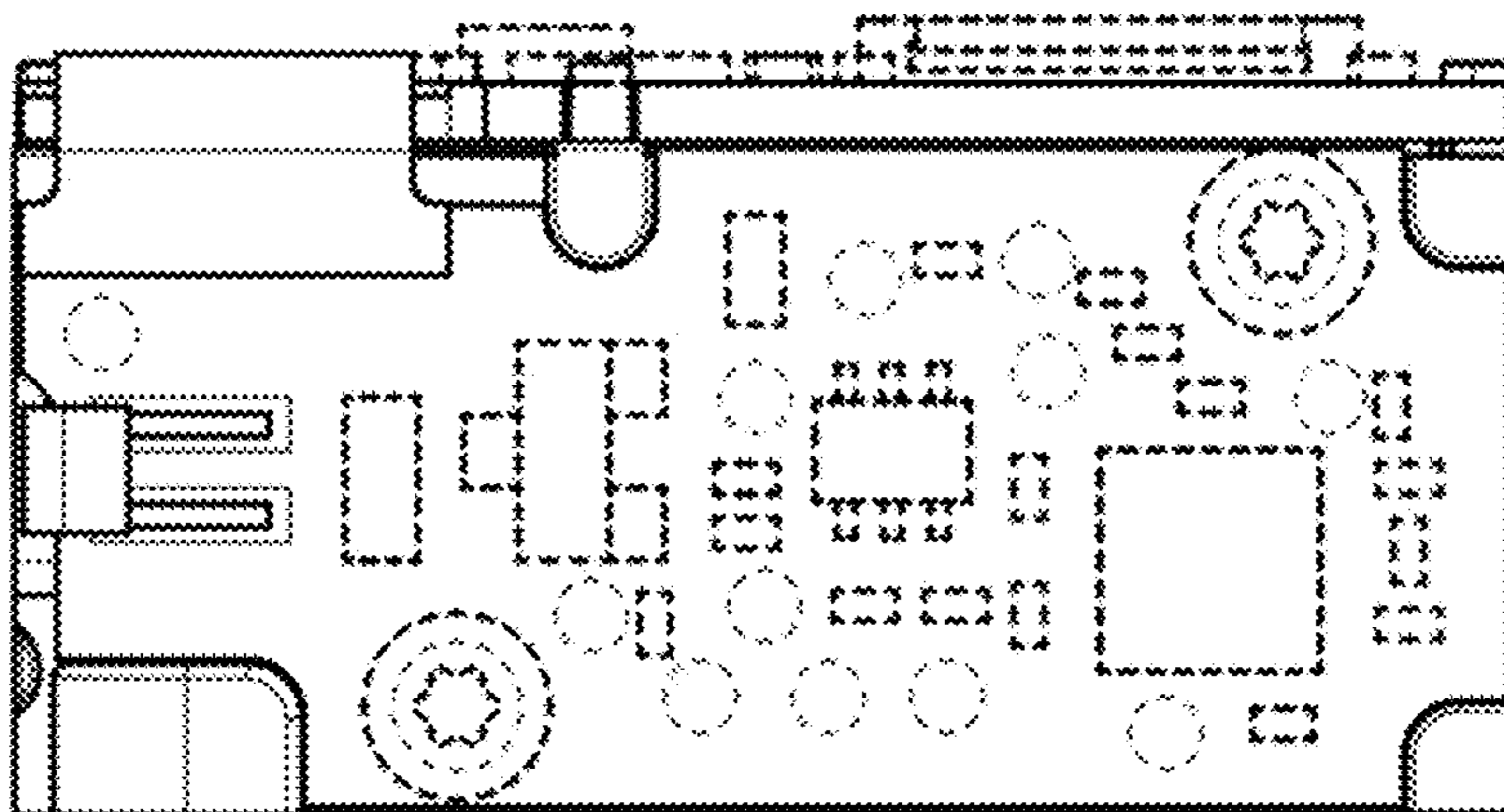


FIG. 4

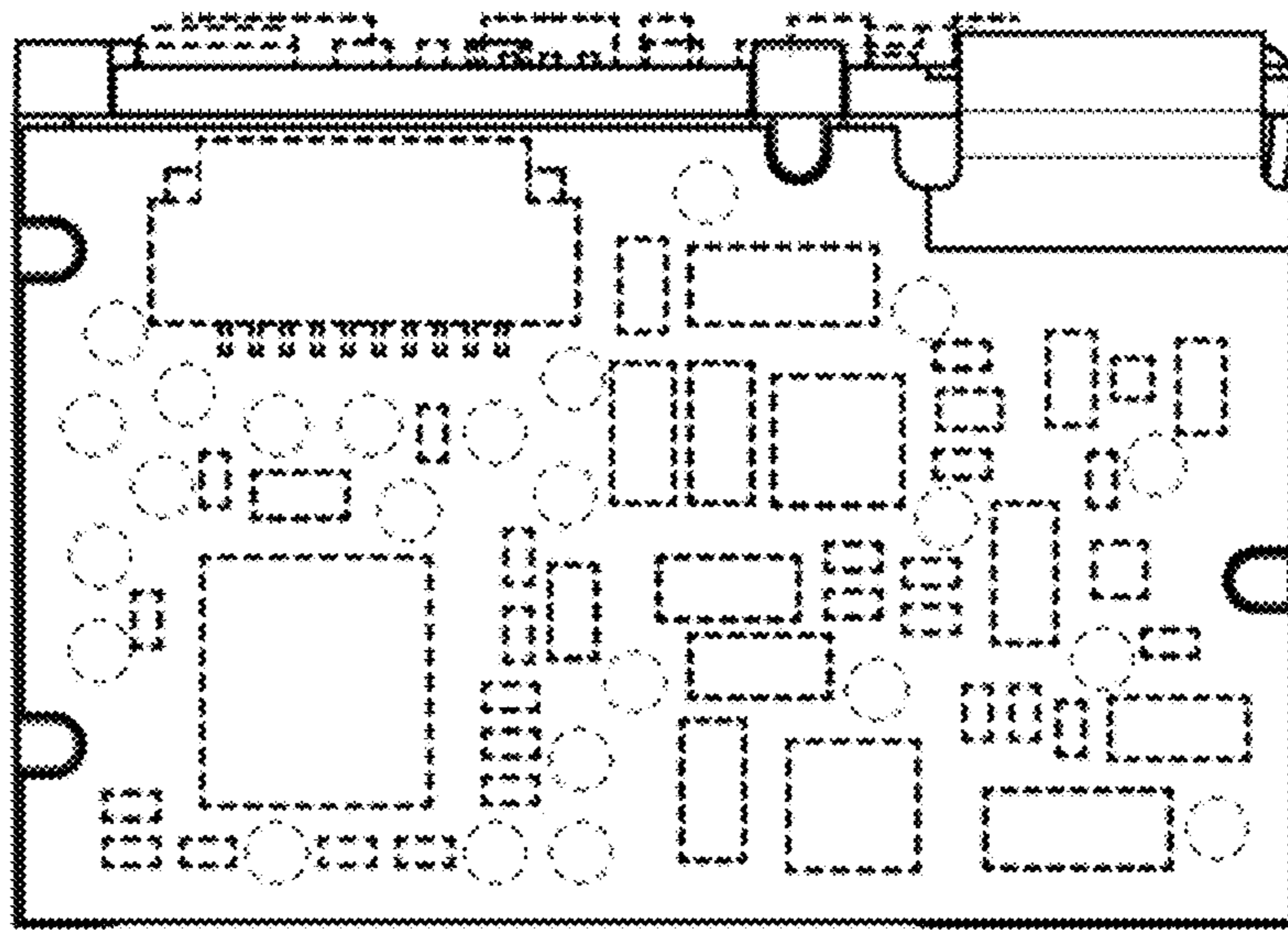


FIG. 5

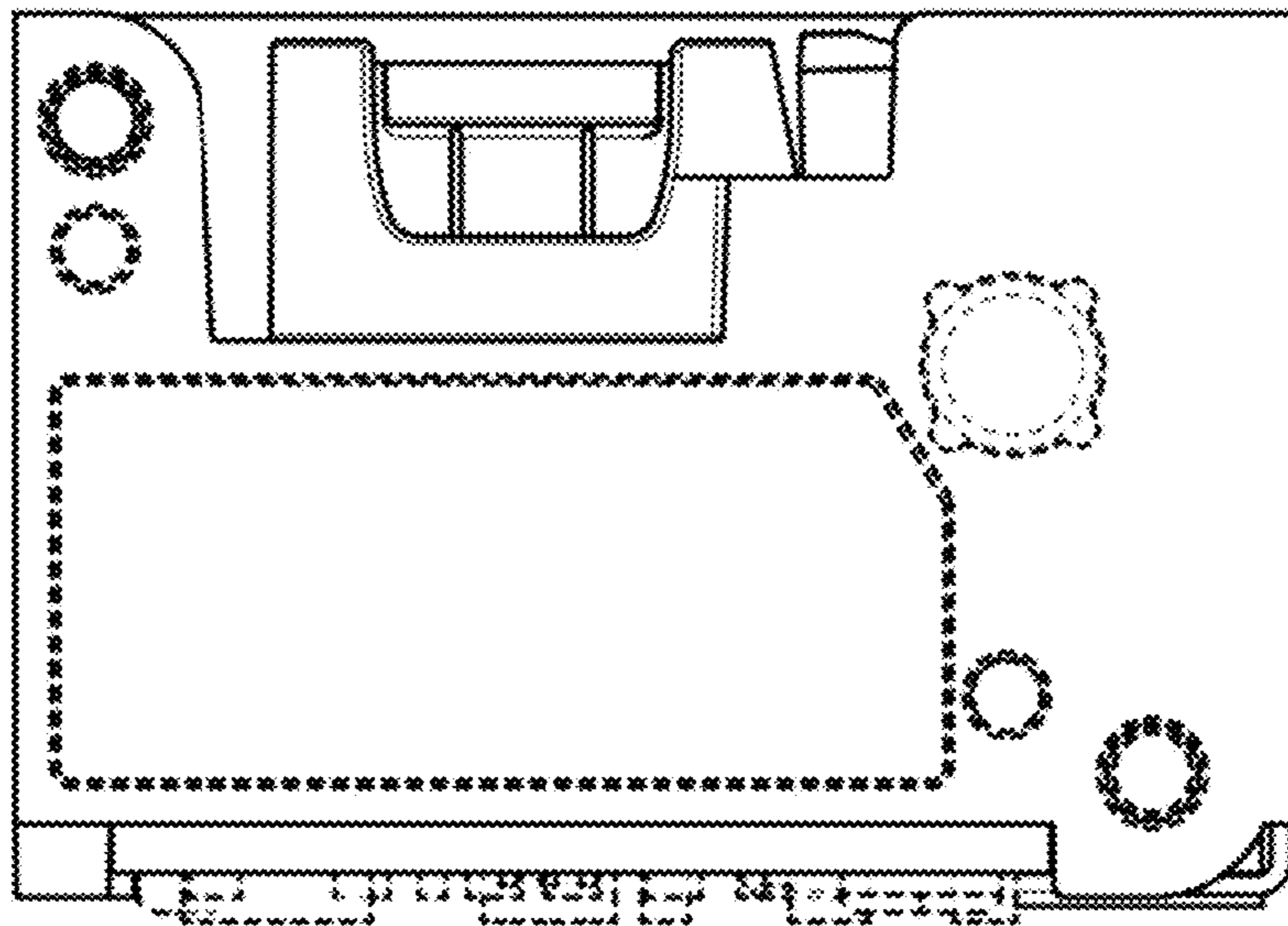


FIG. 6

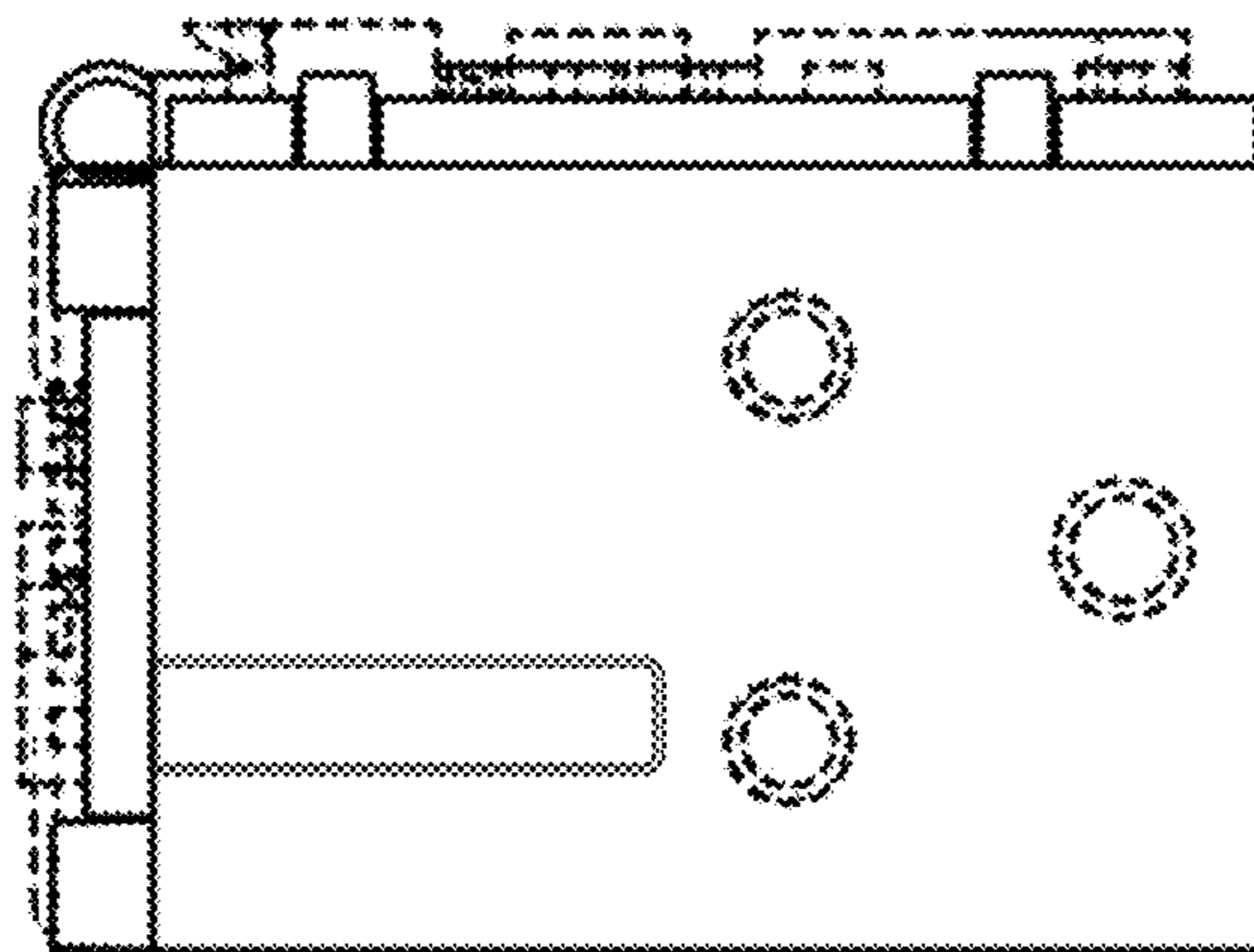


FIG. 7

