



US00D805075S

(12) **United States Design Patent** (10) **Patent No.:** **US D805,075 S**
Yeom (45) **Date of Patent:** **** Dec. 12, 2017**

(54) **DISPLAY DEVICE**

(56) **References Cited**

(71) Applicant: **LENOVO (BEIJING) CO., LTD.,**
Beijing (CN)

U.S. PATENT DOCUMENTS

(72) Inventor: **Jihun Yeom,** Beijing (CN)

D428,415	S	7/2000	Shibata	
6,822,857	B2	11/2004	Jung	
D512,424	S	12/2005	Kim	
7,143,478	B2 *	12/2006	Quijano F16M 11/10
				16/409
D537,079	S *	2/2007	Park D14/375
D558,201	S	12/2007	Park	
7,513,468	B2	4/2009	Jung	
7,770,856	B2	8/2010	Depay	
D631,042	S *	1/2011	Chen D14/337
D650,386	S	12/2011	Lee	
8,070,115	B2	12/2011	Wang	
D703,631	S	4/2014	Hallar et al.	
D704,156	S *	5/2014	Lee D14/126
D732,495	S *	6/2015	Liao D14/126

(73) Assignee: **LENOVO (BEIJING) CO., LTD.,**
Beijing (CN)

(**) Term: **15 Years**

(21) Appl. No.: **29/575,042**

(22) Filed: **Aug. 22, 2016**

(Continued)

Related U.S. Application Data

(62) Division of application No. 29/516,368, filed on Jan. 30, 2015, now Pat. No. Des. 767,569.

Primary Examiner — Freda S Nunn

(74) *Attorney, Agent, or Firm* — Oppedahl Patent Law Firm LLC

(30) **Foreign Application Priority Data**

Aug. 1, 2014 (CN) 2014 3 0269434

(57) **CLAIM**

The ornamental design for a display device, as shown and described.

(51) **LOC (10) Cl.** **14-02**

DESCRIPTION

(52) **U.S. Cl.**
USPC **D14/374**

(58) **Field of Classification Search**

USPC D14/371–375, 125–129, 336, 337, 341, D14/239; 341/12; 345/104, 156, 168, 345/173; 348/180, 184, 325, 739; 349/1, 349/2, 11, 62; 361/679.05–679.07, 361/679.21; D6/300, 308

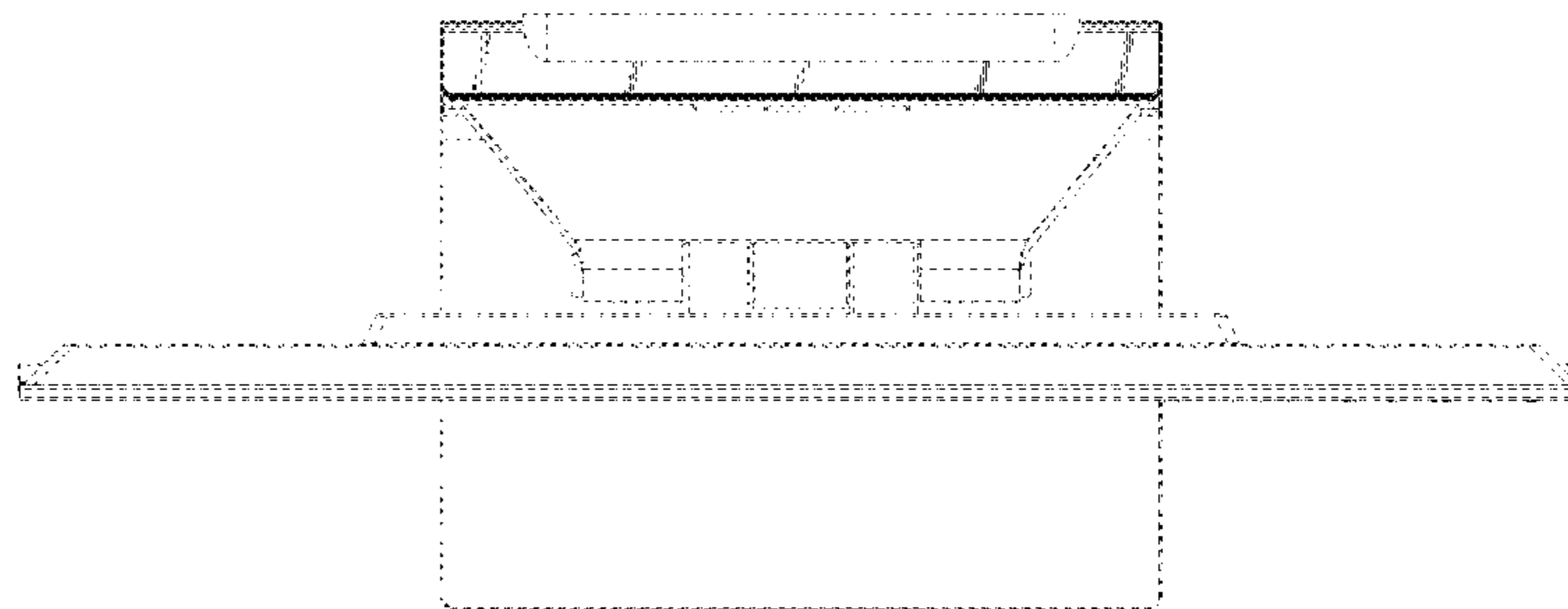
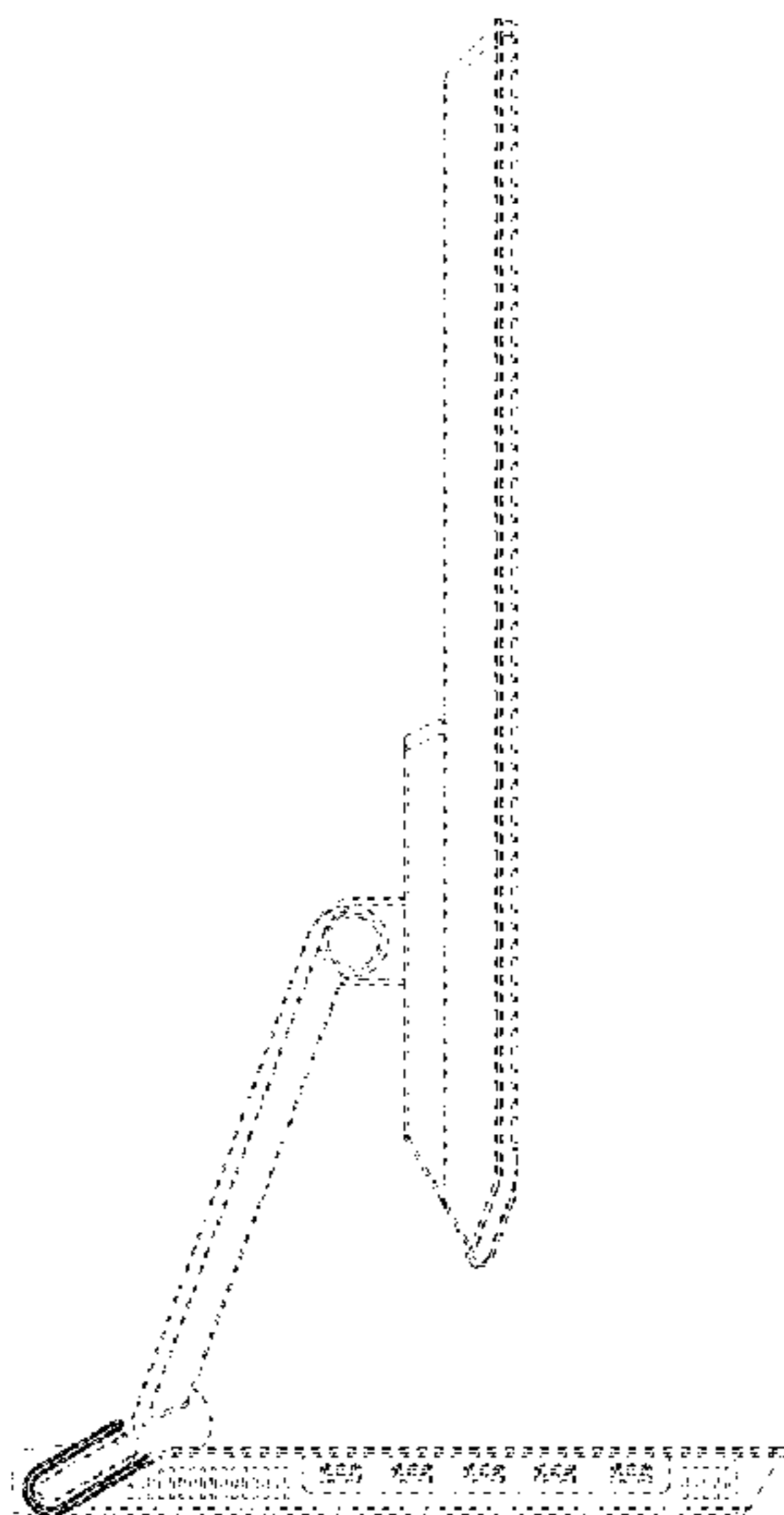
FIG. 1 is a left side view of a display device showing my new design;
FIG. 2 is a top view thereof;
FIG. 3 is a perspective view thereof shown in a first configuration;
FIG. 4 is a perspective view thereof shown in a second configuration; and
FIG. 5 is a perspective view thereof shown in a third configuration.

CPC G06F 1/16; G06F 1/1601; G06F 3/037; G06F 1/162; G06F 1/1613; G06F 1/133308; F16M 11/02; F16M 11/10; F16M 11/00; F16M 11/06; F16M 11/18; F16M 11/045; F16M 11/105; F16M 11/041; F16M 11/126; F16M 11/04; F16M 13/02; F16M 11/24; A47F 5/00

The features shown in broken lines in the drawings depict environmental subject matter and unclaimed borders and form no part of the claimed design.

See application file for complete search history.

1 Claim, 5 Drawing Sheets



(56)

References Cited

U.S. PATENT DOCUMENTS

D767,569 S * 9/2016 Yeom D14/374
2003/0223188 A1 12/2003 Ha
2013/0176672 A1* 7/2013 Richard F16M 11/10
361/679.22

* cited by examiner

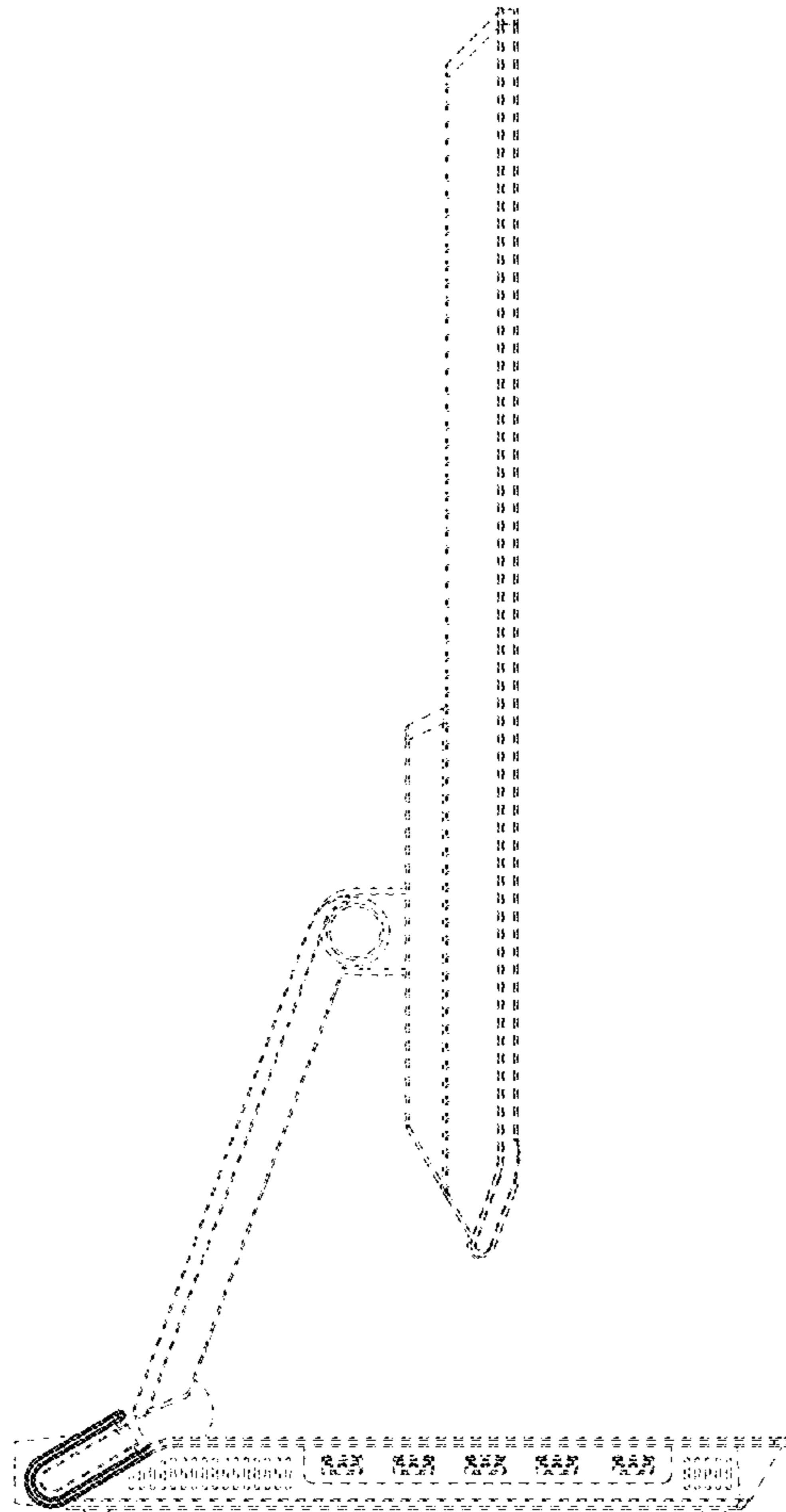


Figure 1

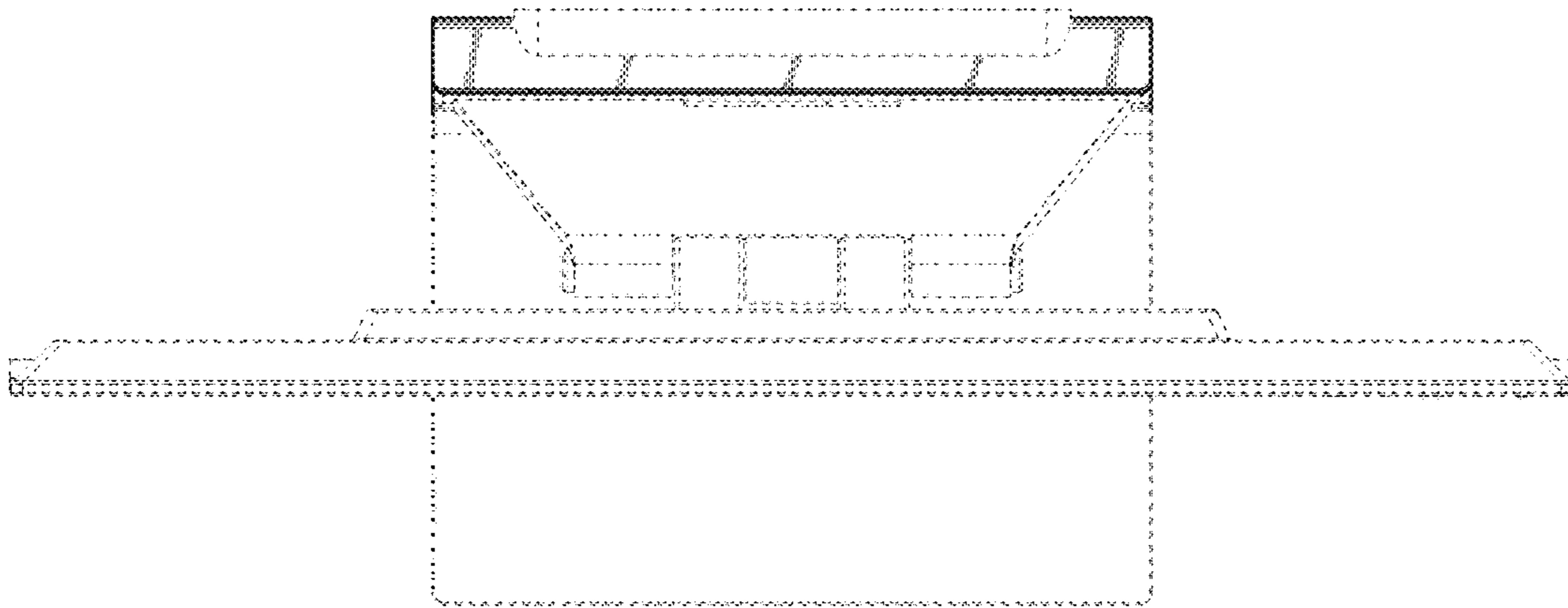


Figure 2

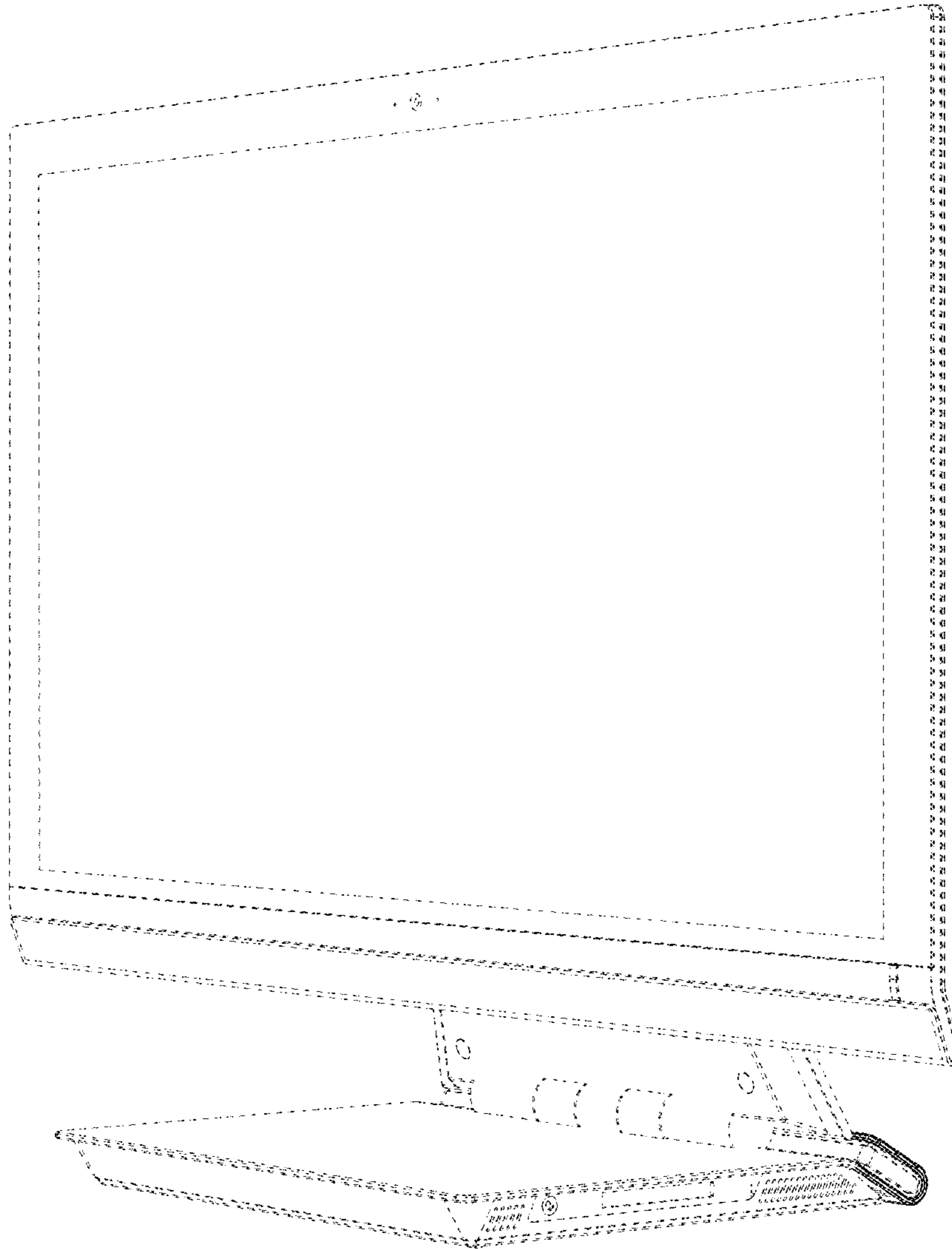


Figure 3

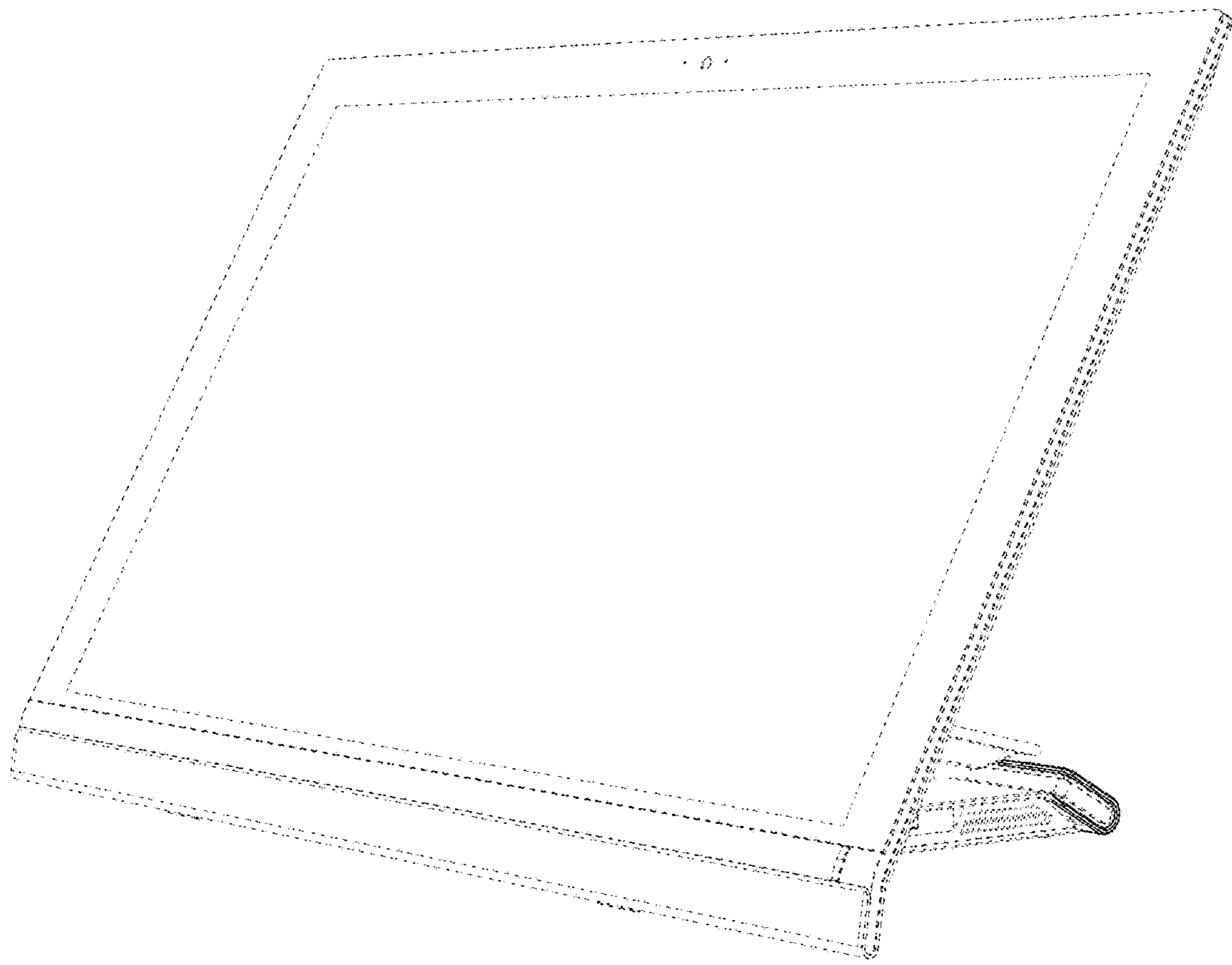


Figure 4

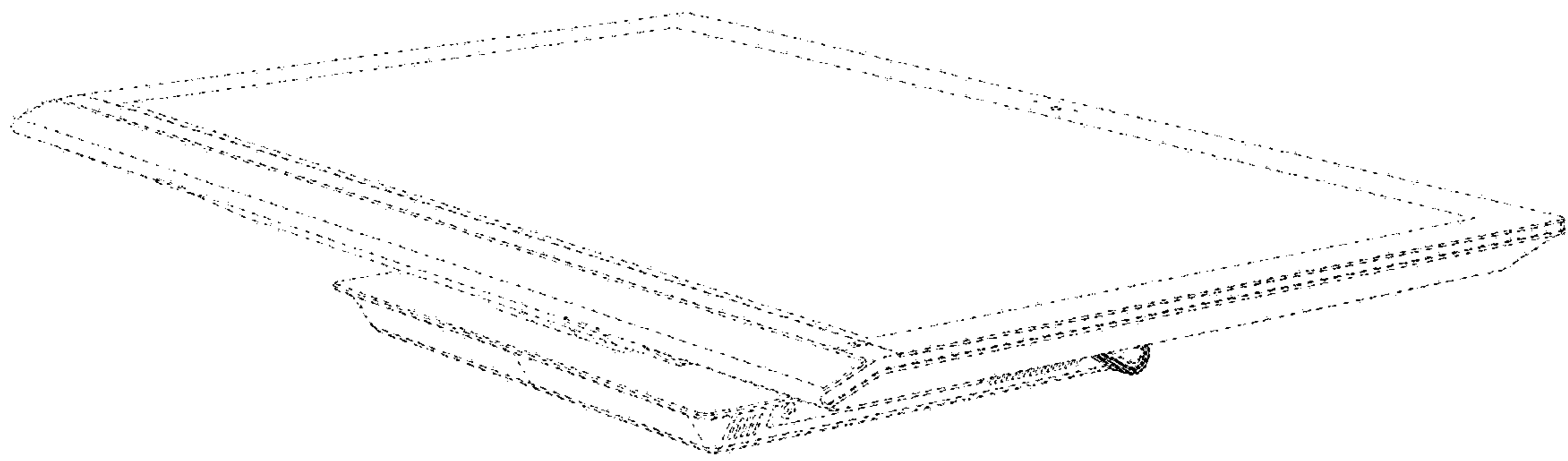


Figure 5