



US00D805072S

(12) **United States Design Patent**  
**Seki**

(10) **Patent No.:** **US D805,072 S**

(45) **Date of Patent:** **\*\* Dec. 12, 2017**

(54) **CONTROL BOX FOR IMAGE DISPLAY  
DEVICE**

D749,580 S \* 2/2016 Kim ..... D14/372  
D752,680 S \* 3/2016 Kim ..... D14/372  
D759,655 S \* 6/2016 Sullivan ..... D14/372  
D776,111 S \* 1/2017 Baldassi ..... D14/372

(71) Applicant: **BROTHER INDUSTRIES, LTD.**,  
Nagoya-shi, Aichi-ken (JP)

\* cited by examiner

(72) Inventor: **Yusaku Seki**, Nagoya (JP)

*Primary Examiner* — Austin Murphy

(73) Assignee: **BROTHER INDUSTRIES, LTD.**,  
Nagoya (JP)

(74) *Attorney, Agent, or Firm* — Oliff PLC

(\*\*) Term: **15 Years**

(57) **CLAIM**

The ornamental design for a control box for image display device, as shown and described.

(21) Appl. No.: **29/568,871**

**DESCRIPTION**

(22) Filed: **Jun. 22, 2016**

FIG. 1 is a perspective view of a control box for image display device;

(30) **Foreign Application Priority Data**

Dec. 22, 2015 (JP) ..... 2015-028477

FIG. 2 is a front view thereof;

(51) **LOC (10) Cl.** ..... **14-02**

FIG. 3 is a top view thereof;

(52) **U.S. Cl.**

FIG. 4 is a left-side view thereof;

USPC ..... **D14/372**

FIG. 5 is a right-side view thereof;

(58) **Field of Classification Search**

USPC ..... D14/372, 496, 432, 371, 125, 126, 129,  
D14/299; D16/300-342; 351/158, 153,  
351/144; 345/7-9, 905; 455/344;  
348/115, 53, 121, 739

FIG. 6 is a rear view thereof;

CPC ..... G02B 27/017; G02B 27/0158; G02B  
27/0161; G02B 27/0181; G02B 27/0185;  
G02B 27/0189

FIG. 7 is a bottom view thereof;

See application file for complete search history.

FIG. 8 is an enlarged view of an area shown in a box labeled "8" in FIG. 1;

(56) **References Cited**

**U.S. PATENT DOCUMENTS**

7,921,475 B2 \* 4/2011 Nascimento ..... A42B 3/08  
2/410  
8,434,168 B2 \* 5/2013 Paulson ..... A42B 3/225  
2/427  
D740,284 S \* 10/2015 Maeda ..... D14/372

FIG. 9 is an enlarged view of an area shown in a box labeled "9" in FIG. 2;

FIG. 10 is an enlarged view of an area shown in a box labeled "10" in FIG. 3;

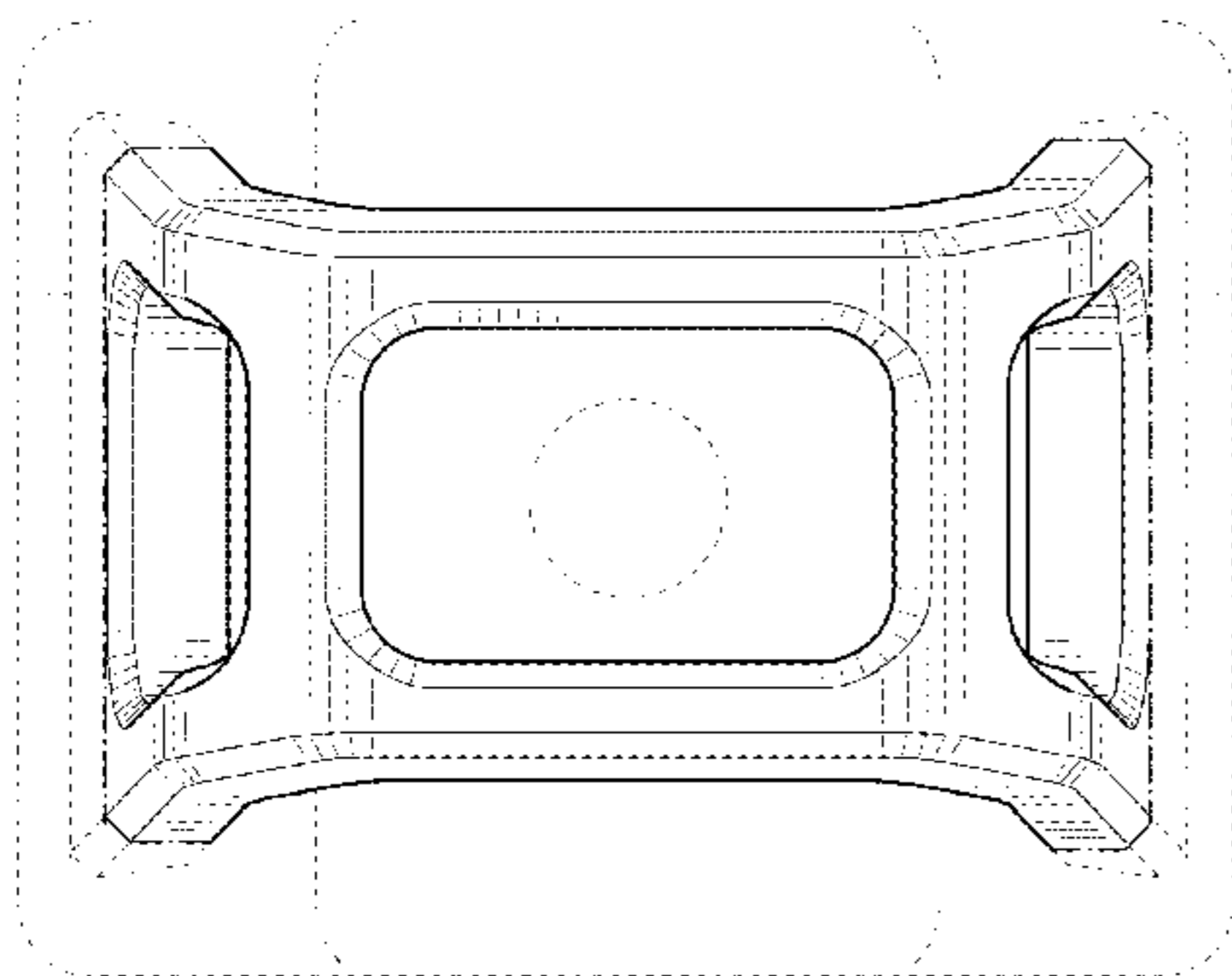
FIG. 11 is a cross-sectional view taken along a line 11-11 in FIG. 9;

FIG. 12 is a cross-sectional view taken along a line 12-12 in FIG. 10; and,

FIG. 13 is another perspective view showing the control box for image display device in use with a head mounted image display device.

The broken lines depict environmental subject matter only and form no part of the claimed design. The dot-dash lines depict a boundary between claimed and unclaimed subject matter, and form no part of the claimed design.

**1 Claim, 10 Drawing Sheets**



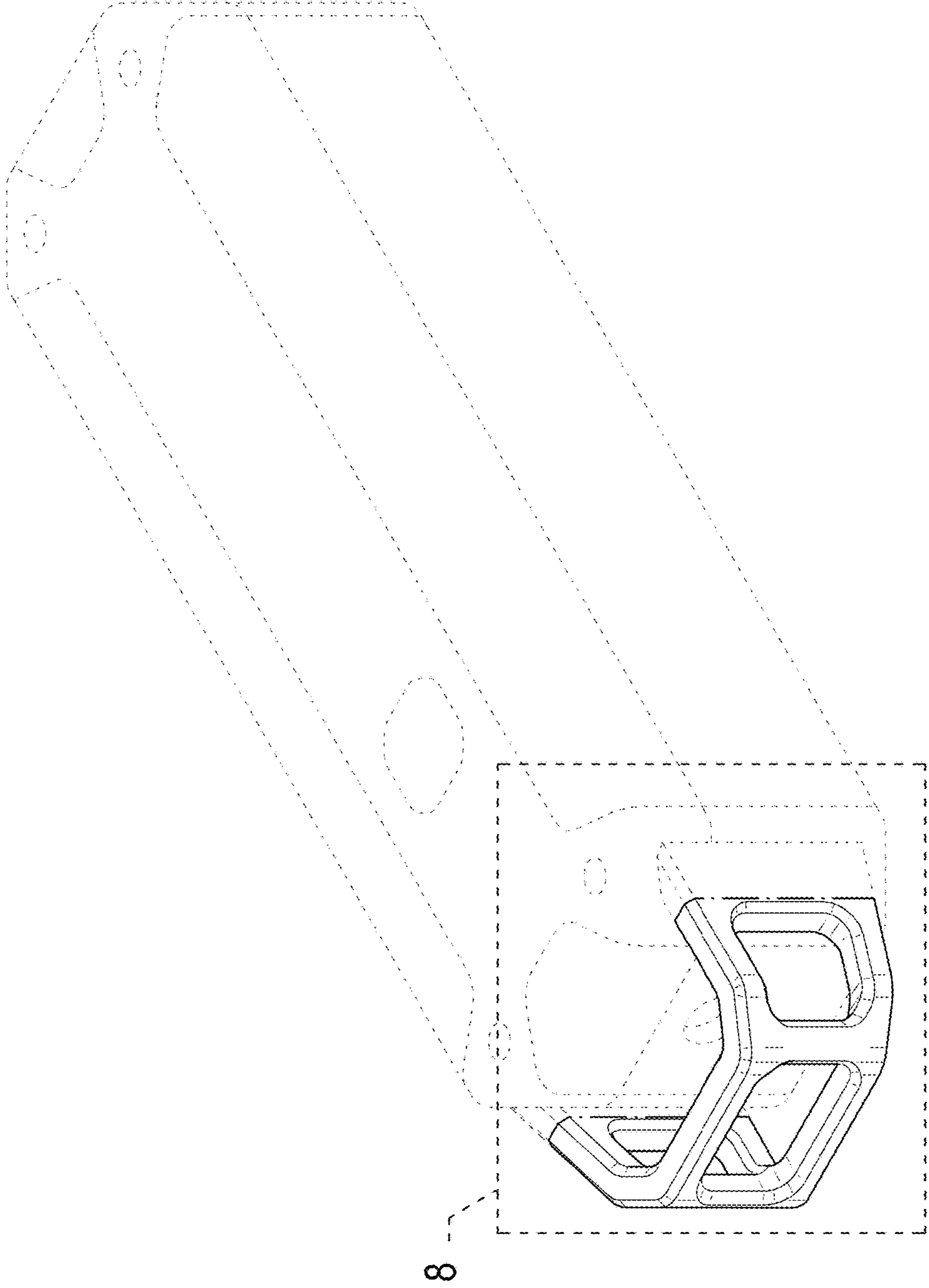


FIG. 1

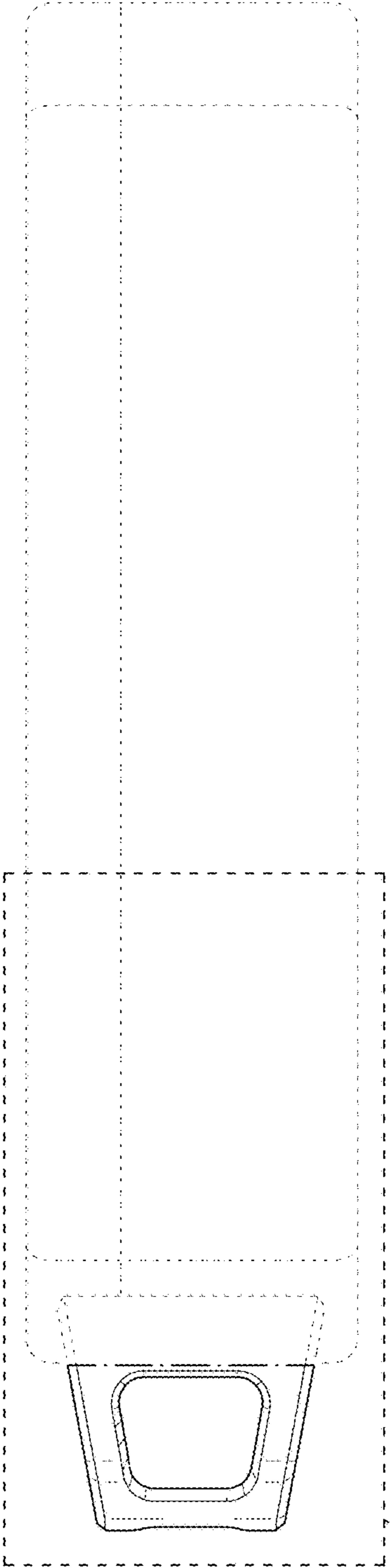


FIG. 2

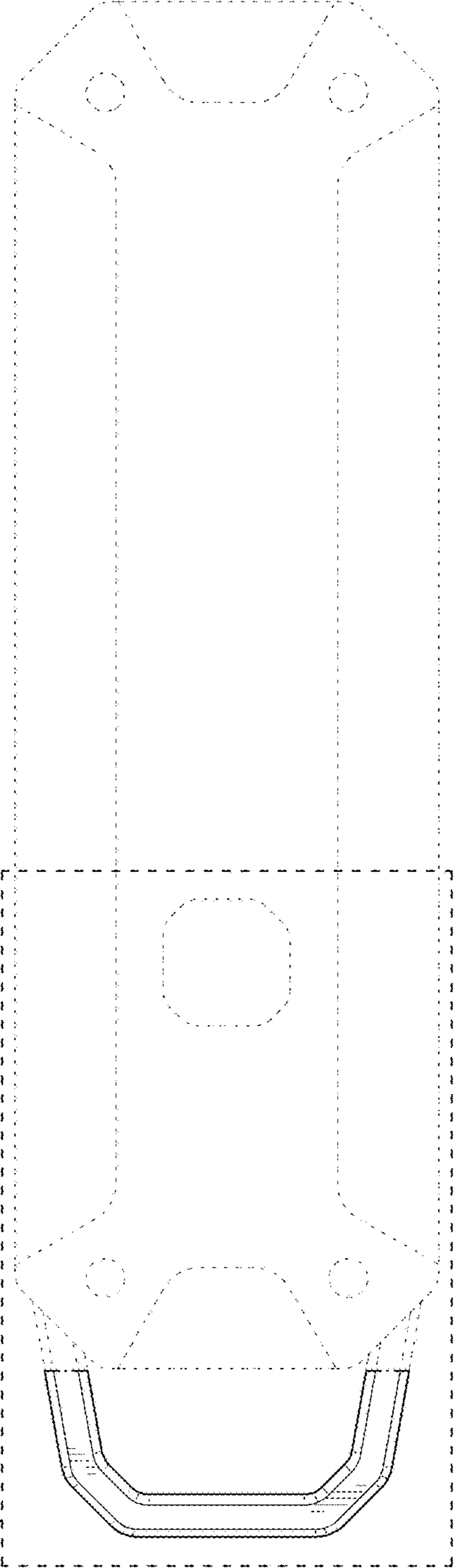


FIG. 3

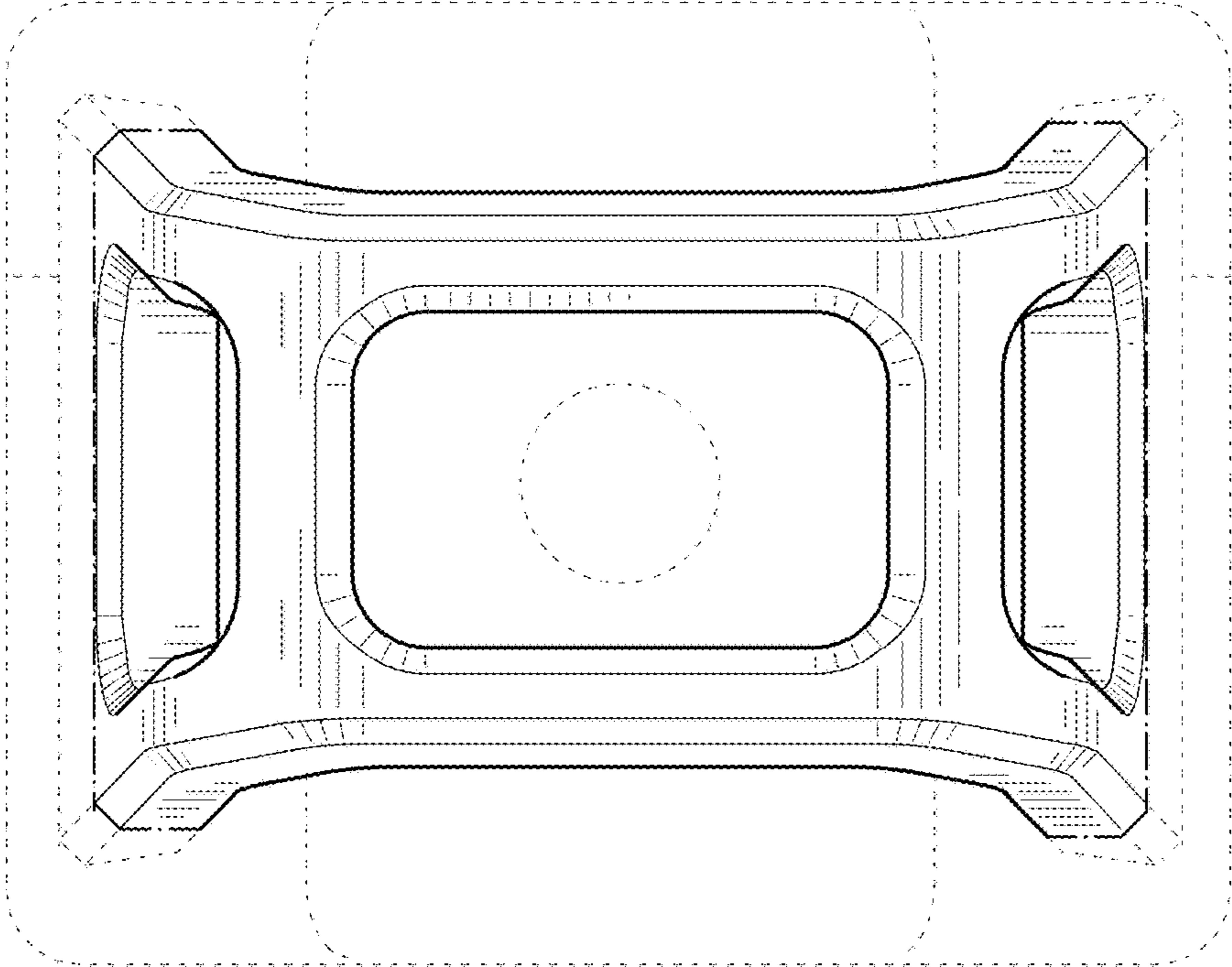


FIG. 4

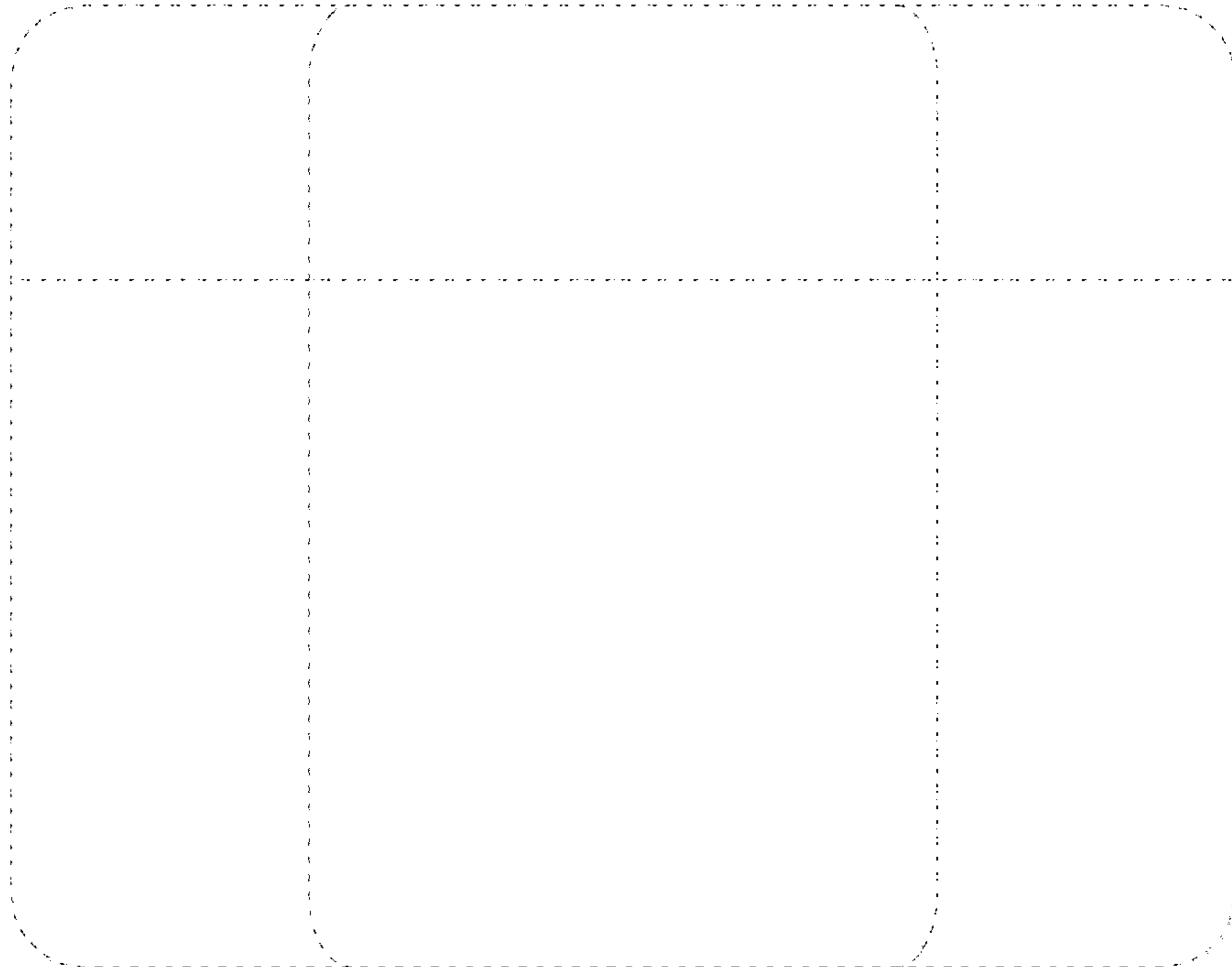


FIG. 5



FIG. 6

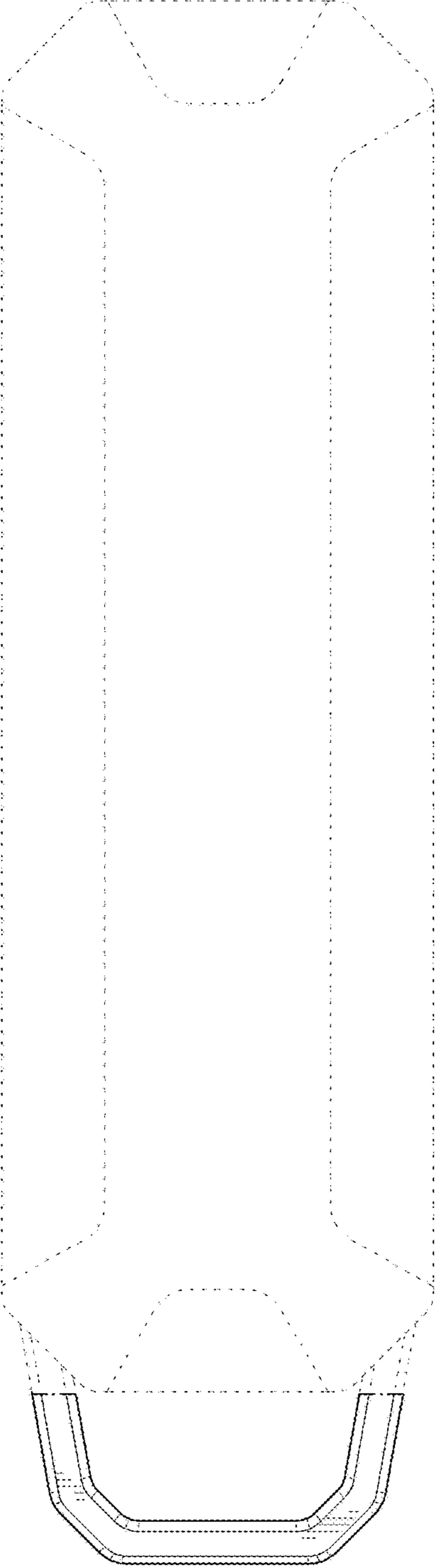


FIG. 7

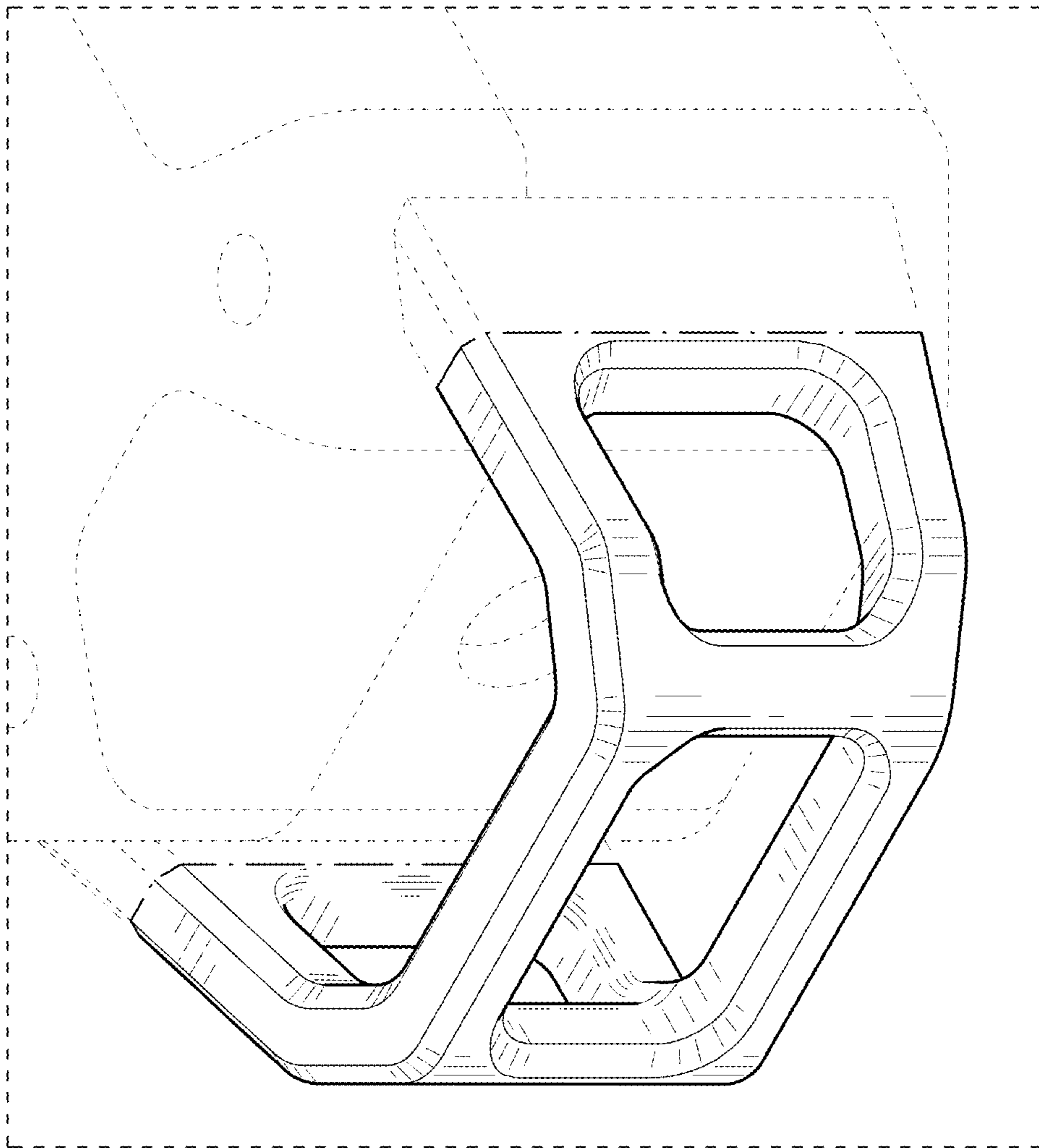


FIG. 8

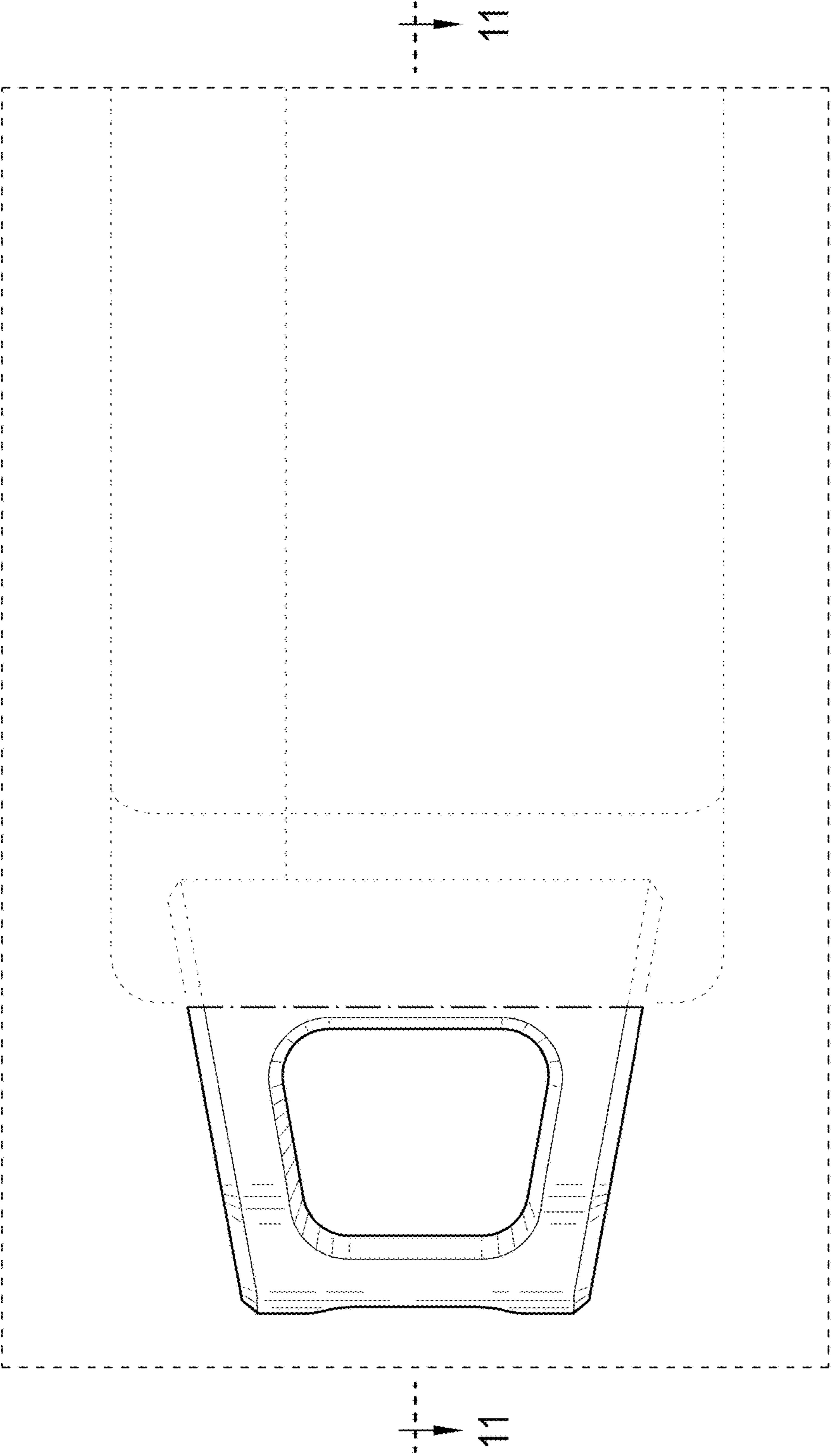


FIG. 9

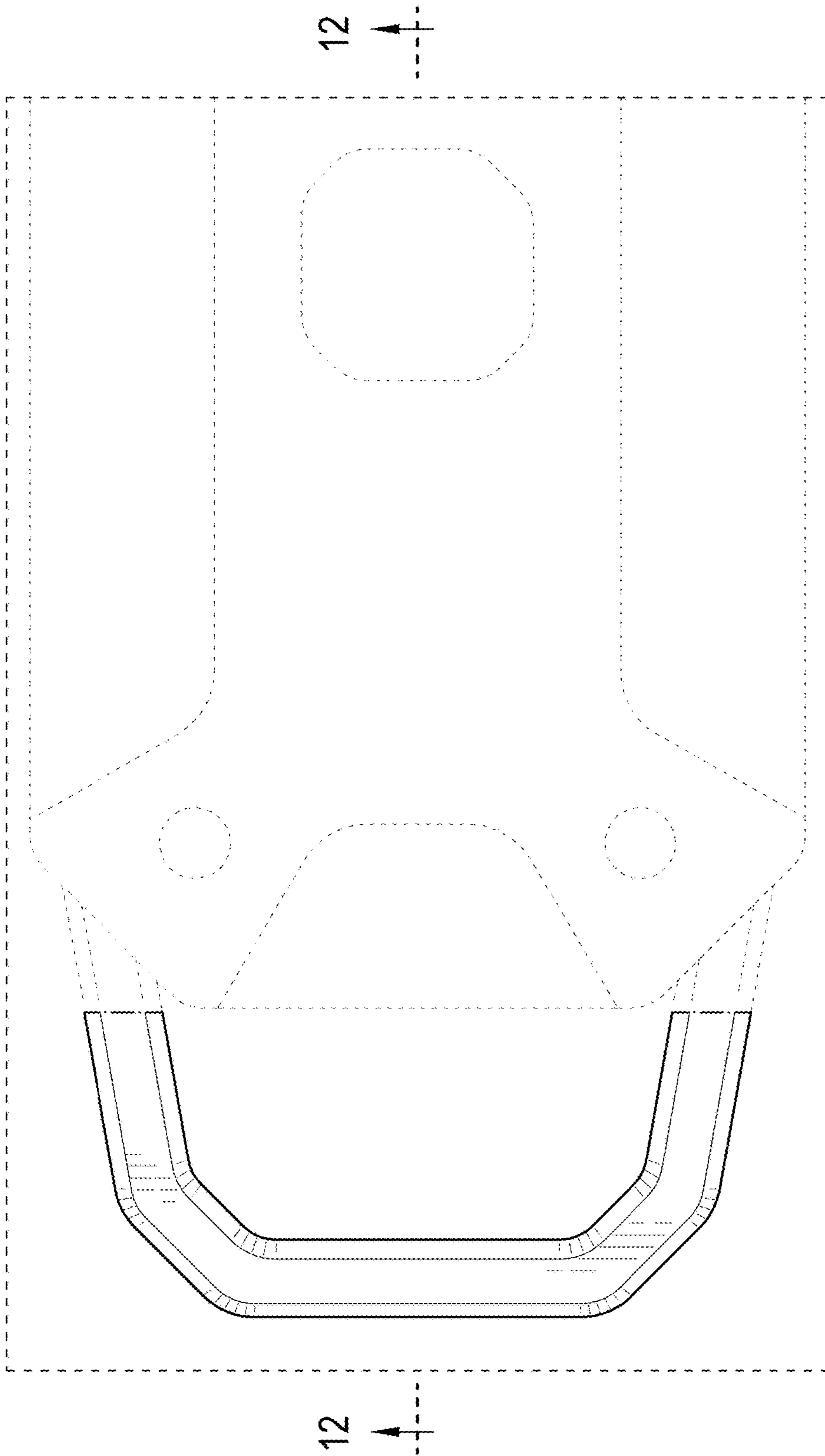


FIG. 10



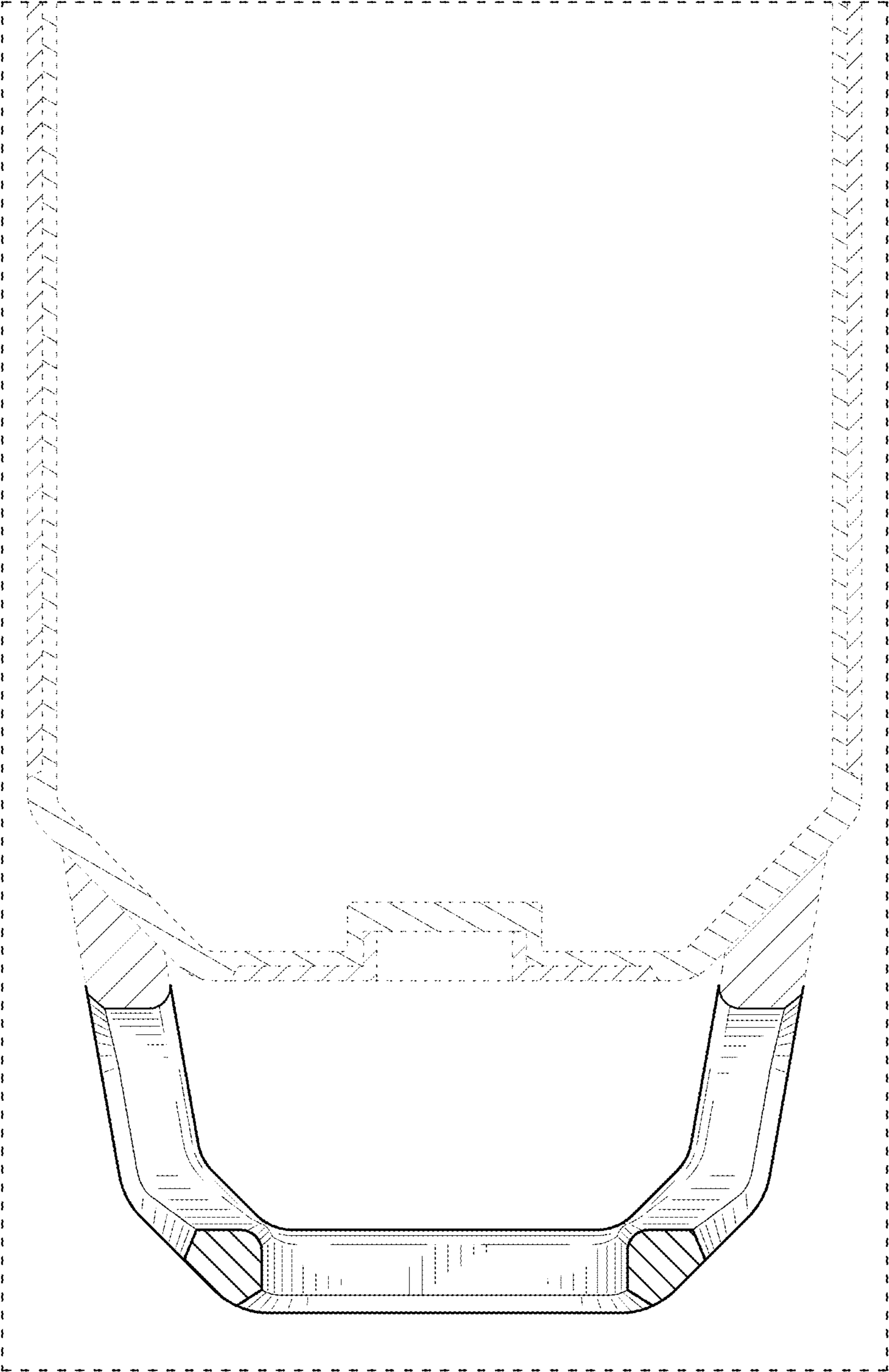


FIG. 11

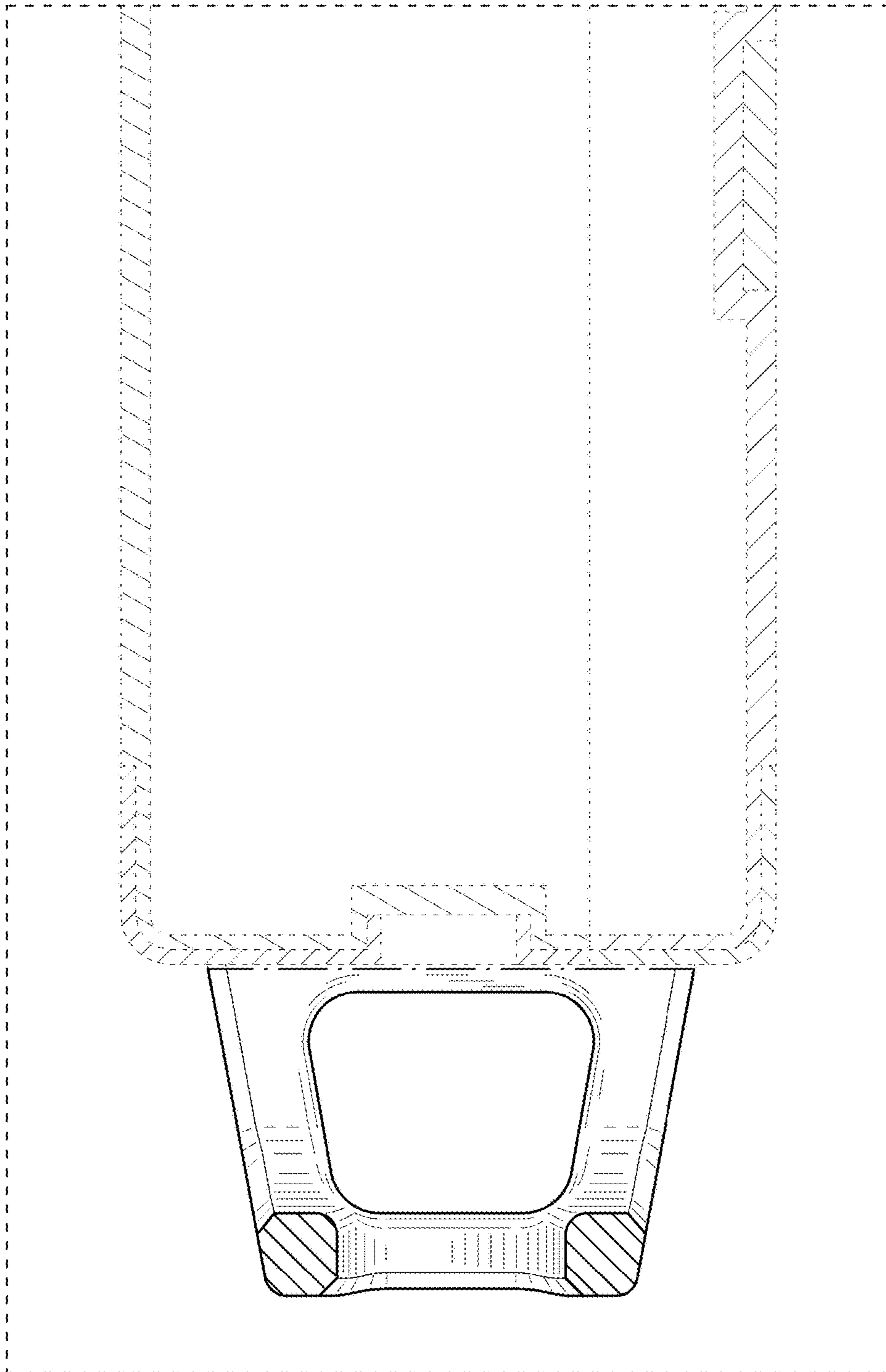


FIG. 12

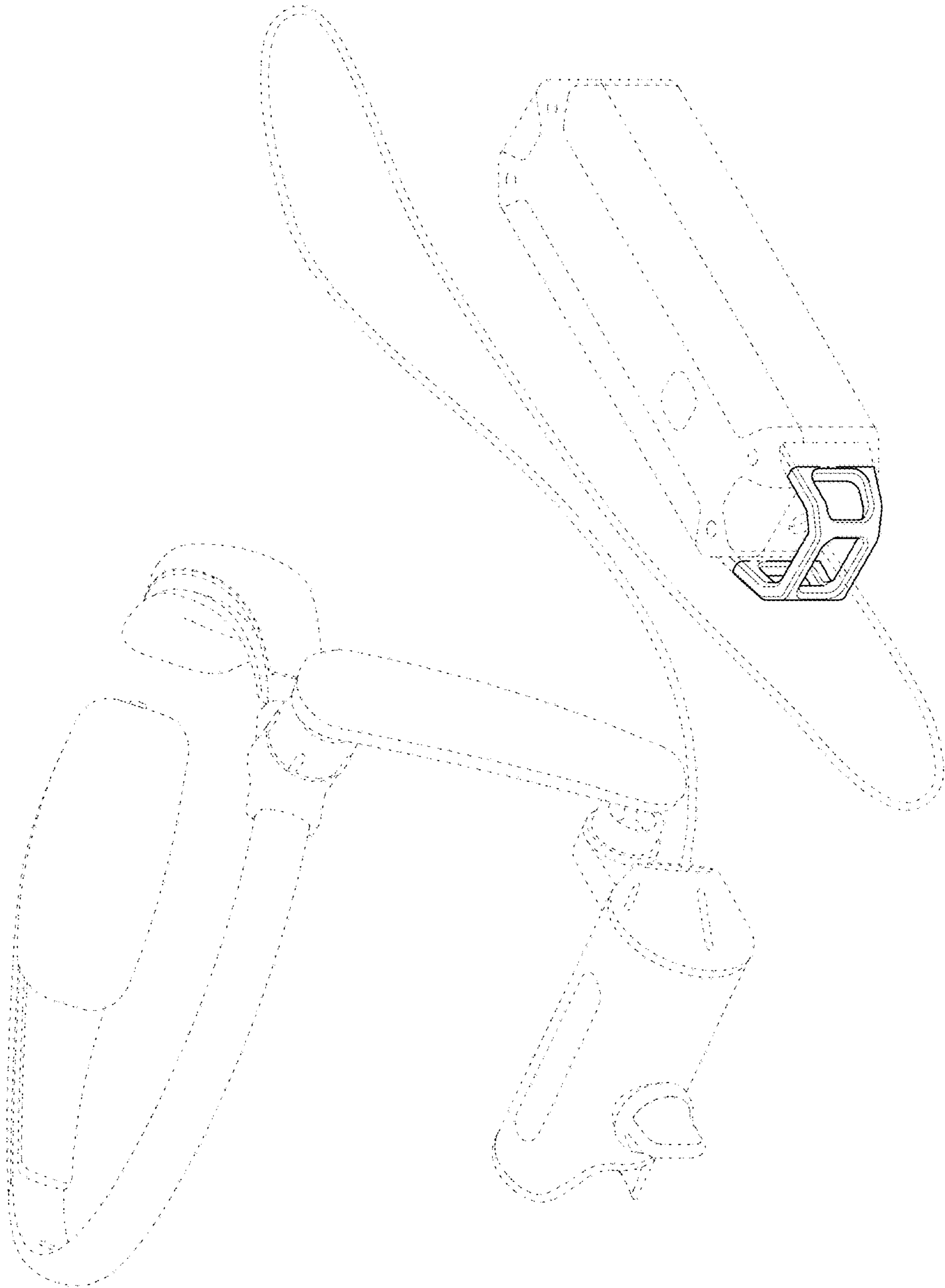


FIG. 13