



US00D805071S

(12) **United States Design Patent**
Park et al.

(10) **Patent No.:** **US D805,071 S**

(45) **Date of Patent:** **** Dec. 12, 2017**

(54) **HEAD MOUNT DISPLAY**

DESCRIPTION

- (71) Applicant: **LG ELECTRONICS INC.**, Seoul (KR)
- (72) Inventors: **Seala Park**, Seoul (KR); **Dongsoon Kim**, Seoul (KR); **Seungyup Lee**, Seoul (KR); **Hyunchul Kim**, Seoul (KR)
- (73) Assignee: **LG ELECTRONICS INC.**, Seoul (KR)
- (**) Term: **15 Years**
- (21) Appl. No.: **29/551,300**
- (22) Filed: **Jan. 12, 2016**
- (30) **Foreign Application Priority Data**
Jul. 13, 2015 (KR) 30-2015-0035167
- (51) **LOC (10) Cl.** **14-02**
- (52) **U.S. Cl.**
USPC **D14/372**
- (58) **Field of Classification Search**
USPC D14/372, 496, 432, 371, 125, 126, 129, D14/299; D16/300-342; 351/158, 153,
(Continued)
- (56) **References Cited**
U.S. PATENT DOCUMENTS
D375,495 S * 11/1996 MacIness D14/372
D427,982 S * 7/2000 Ishii D14/372
(Continued)

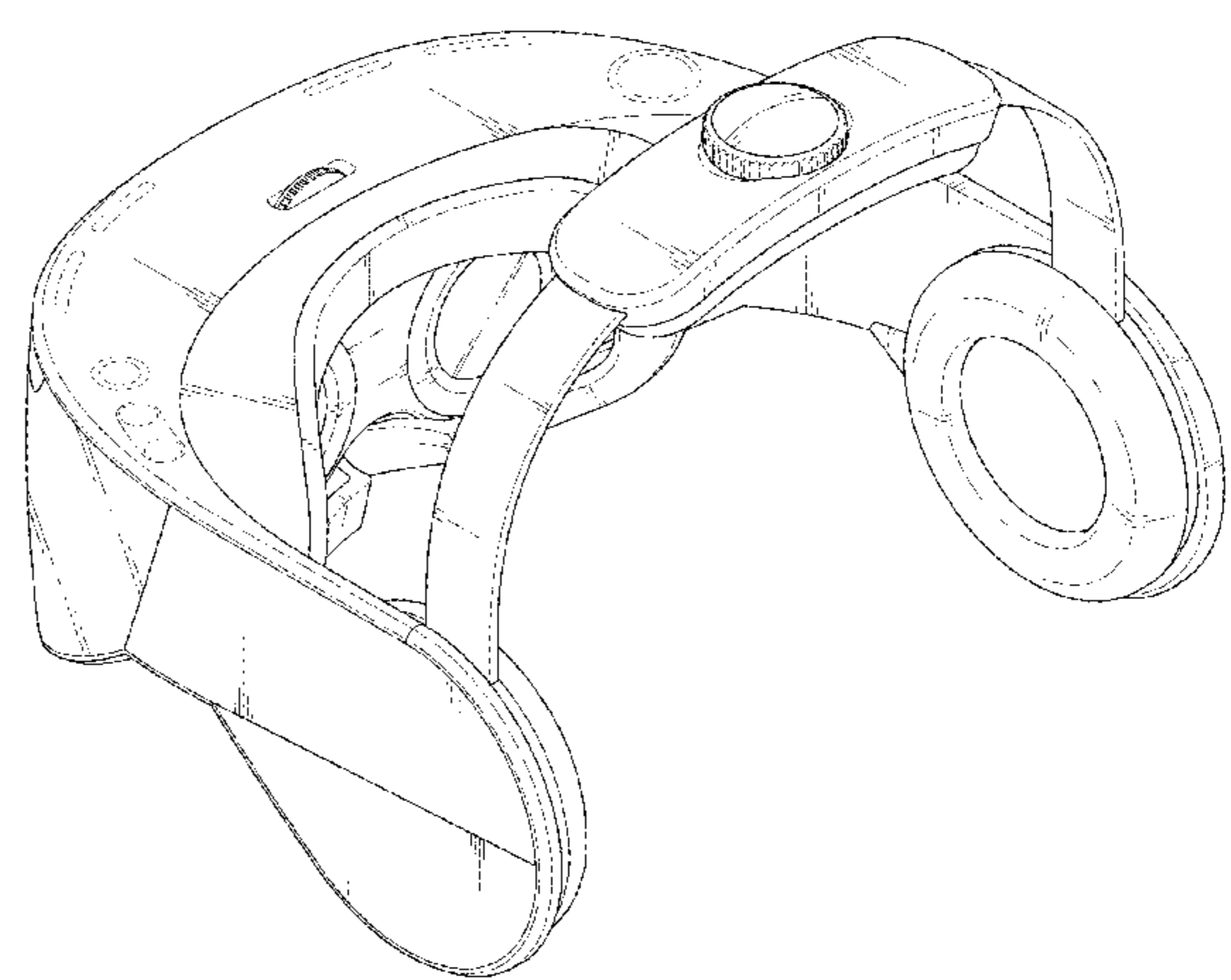
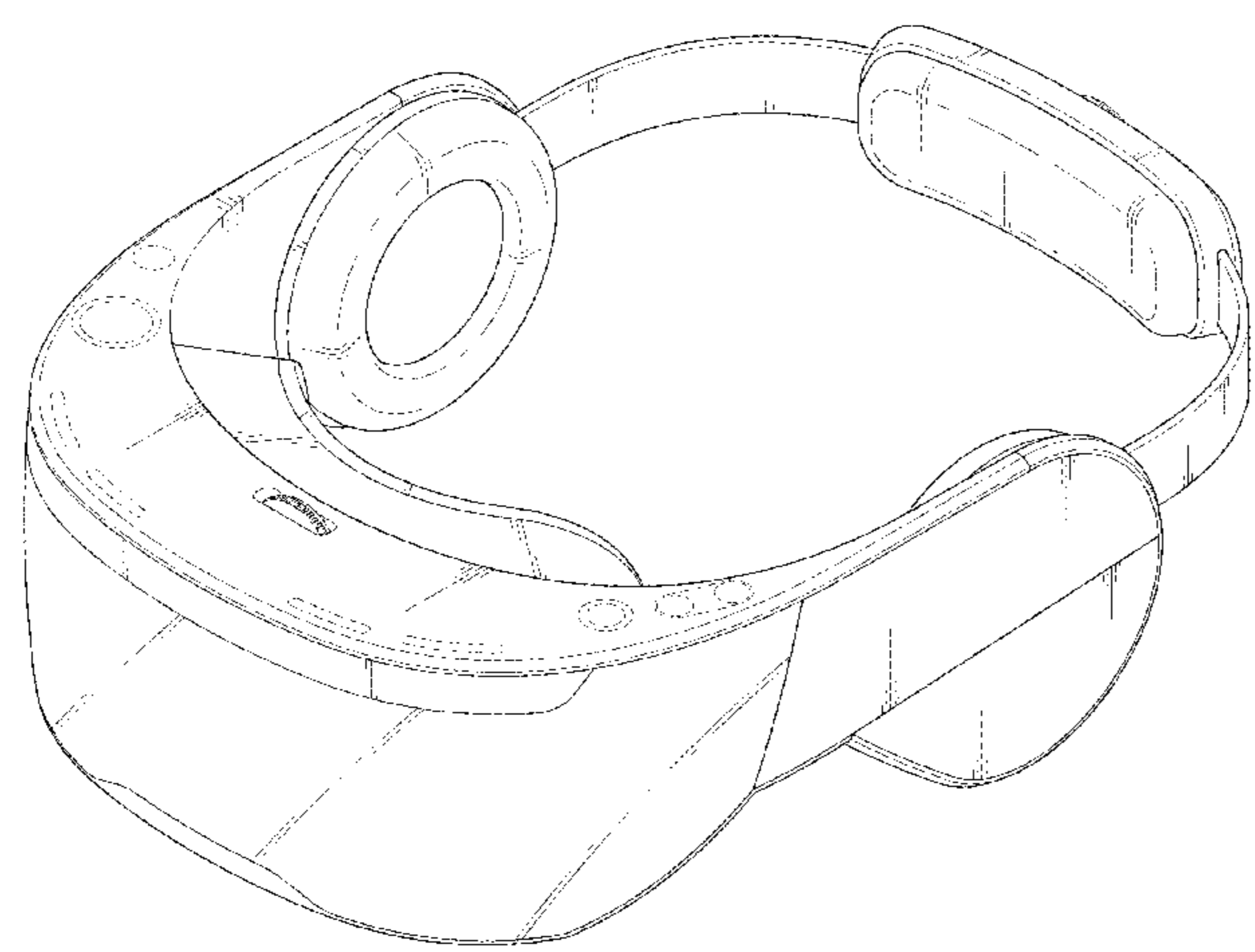
Primary Examiner — Austin Murphy
(74) *Attorney, Agent, or Firm* — Birch, Stewart, Kolasch & Birch, LLP

(57) **CLAIM**
The ornamental design for a head mount display, as shown and described.

FIG. 1 is a front perspective view of a head mount display showing our new design;
 FIG. 2 is a front view thereof;
 FIG. 3 is a rear view thereof;
 FIG. 4 is a left side view thereof;
 FIG. 5 is a right side view thereof;
 FIG. 6 is a top plan view thereof;
 FIG. 7 is a bottom plan view thereof;
 FIG. 8 is a rear perspective view thereof;
 FIG. 9 is a reference view thereof showing an example of the usage of the subject design in which the user wears the subject design;
 FIG. 10 is a front perspective view thereof in a condition that the headrest part is swivelled at an angle of 45 degrees on an axis of the headphone part;
 FIG. 11 is a front view of FIG. 10;
 FIG. 12 is a rear view of FIG. 10;
 FIG. 13 is a left side view of FIG. 10;
 FIG. 14 is a right side view of FIG. 10;
 FIG. 15 is a top plan view of FIG. 10;
 FIG. 16 is a bottom plan view of FIG. 10;
 FIG. 17 is a rear perspective view of FIG. 10;
 FIG. 18 is a reference view of FIG. 10 showing an example of the usage of the subject design in which the user wears the subject design;
 FIG. 19 is a front perspective view thereof in a condition that the headrest part is swivelled at an angle of 90 degrees on an axis of the headphone part;
 FIG. 20 is a front view of FIG. 19;
 FIG. 21 is a rear view of FIG. 19;
 FIG. 22 is a left side view of FIG. 19;
 FIG. 23 is a right side view of FIG. 19;
 FIG. 24 is a top plan view of FIG. 19;
 FIG. 25 is a bottom plan view of FIG. 19;
 FIG. 26 is a rear perspective view of FIG. 19; and,
 FIG. 27 is a reference view of FIG. 19 showing an example of the usage of the subject design in which the user wears the subject design.

The broken lines depict portions of the head mount display that form no part of the claimed design.

1 Claim, 27 Drawing Sheets



(58) **Field of Classification Search**

USPC 351/144; 345/7-9, 905; 455/344;
348/115, 53, 121, 739
CPC G02B 27/017; G02B 27/0158; G02B
27/0161; G02B 27/0181; G02B 27/0185;
G02B 27/0189

See application file for complete search history.

(56) **References Cited**

U.S. PATENT DOCUMENTS

D719,953	S	*	12/2014	Nokuo	D14/372
D722,054	S	*	2/2015	Serota	D14/372
D732,028	S	*	6/2015	Kim	D14/372
D740,815	S	*	10/2015	Bosveld	D14/372
D741,325	S	*	10/2015	Bosveld	D14/372
D749,580	S	*	2/2016	Kim	D14/372
D753,111	S	*	4/2016	Fei	D14/372
D753,113	S	*	4/2016	Fei	D14/372
D762,763	S	*	8/2016	Balachandreswaran	D16/300
D764,467	S	*	8/2016	Nokuo	D14/372
D778,909	S	*	2/2017	Nokuo	D14/372
D780,751	S	*	3/2017	Park	D14/372
D781,288	S	*	3/2017	Park	D14/372
D783,019	S	*	4/2017	Letbetter	D14/372
D785,619	S	*	5/2017	Su	D14/372
D791,126	S	*	7/2017	Sullivan	D14/372
D791,129	S	*	7/2017	Sullivan	D14/372

* cited by examiner

FIG. 1

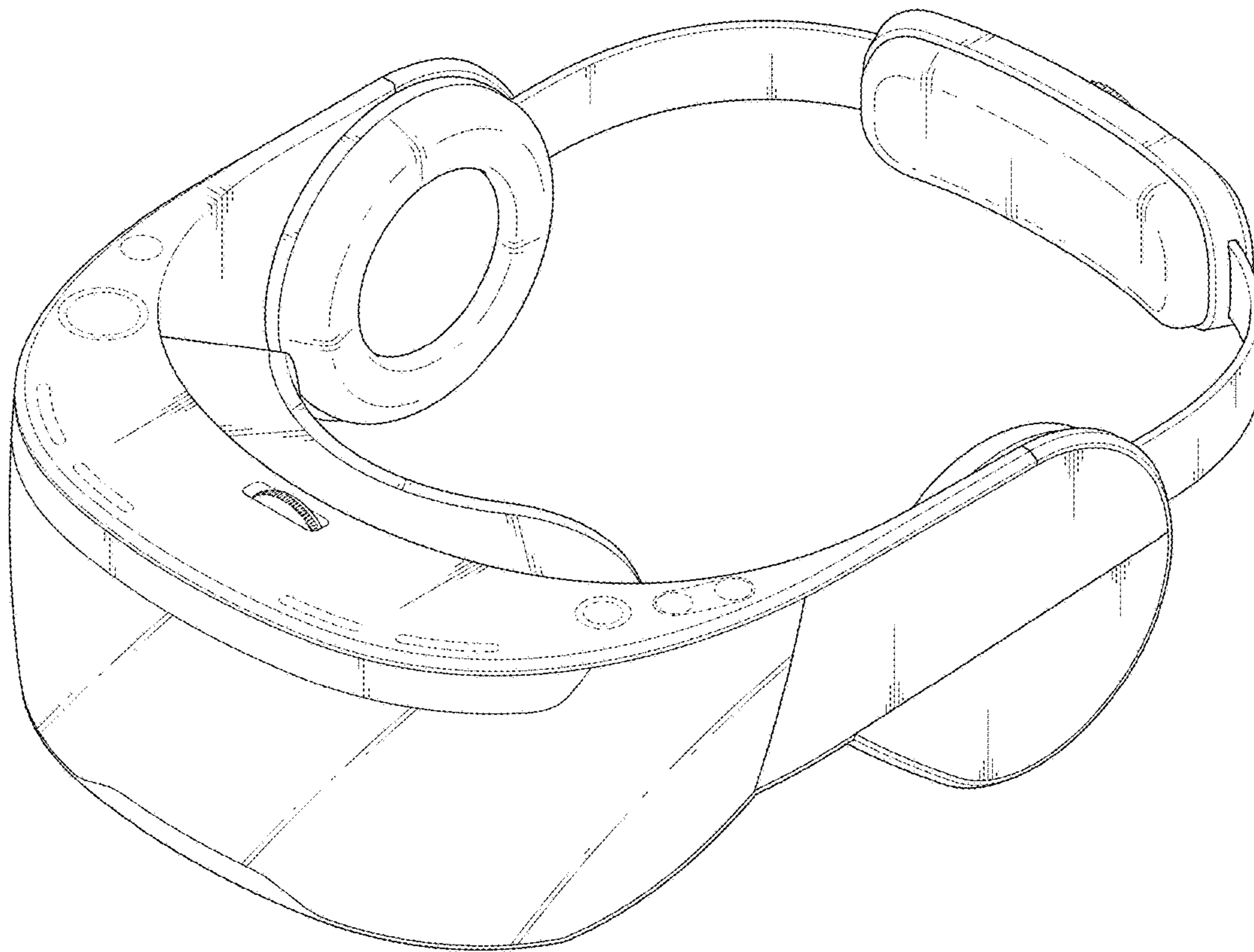


FIG. 2

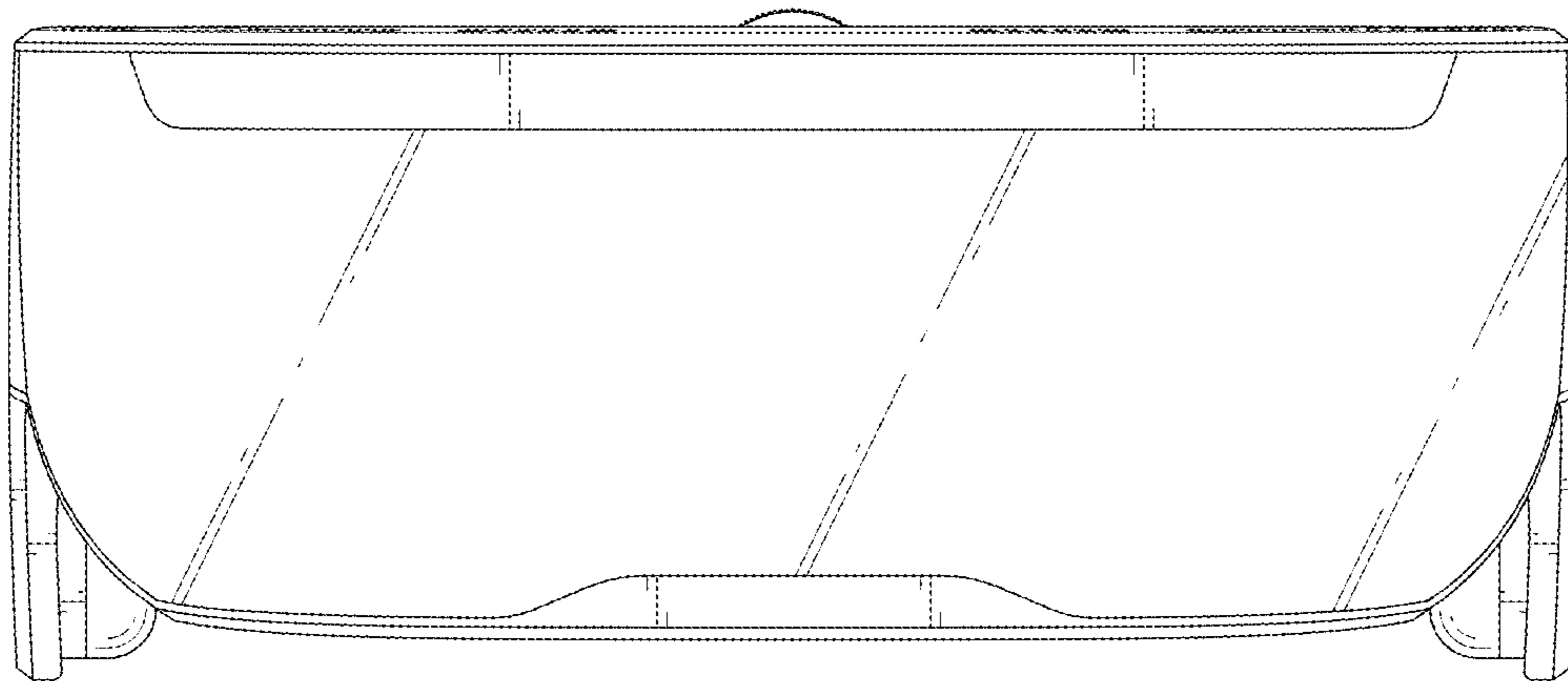


FIG. 3

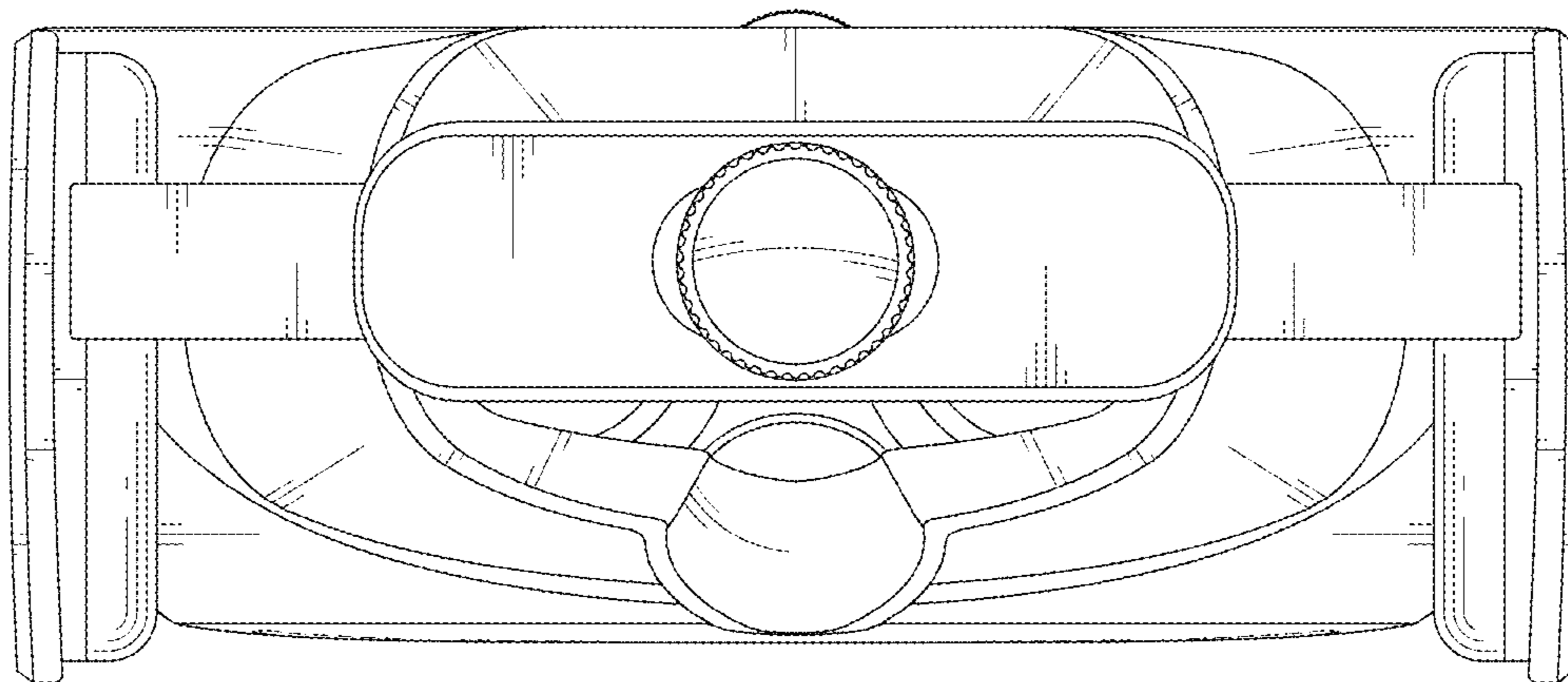


FIG. 4

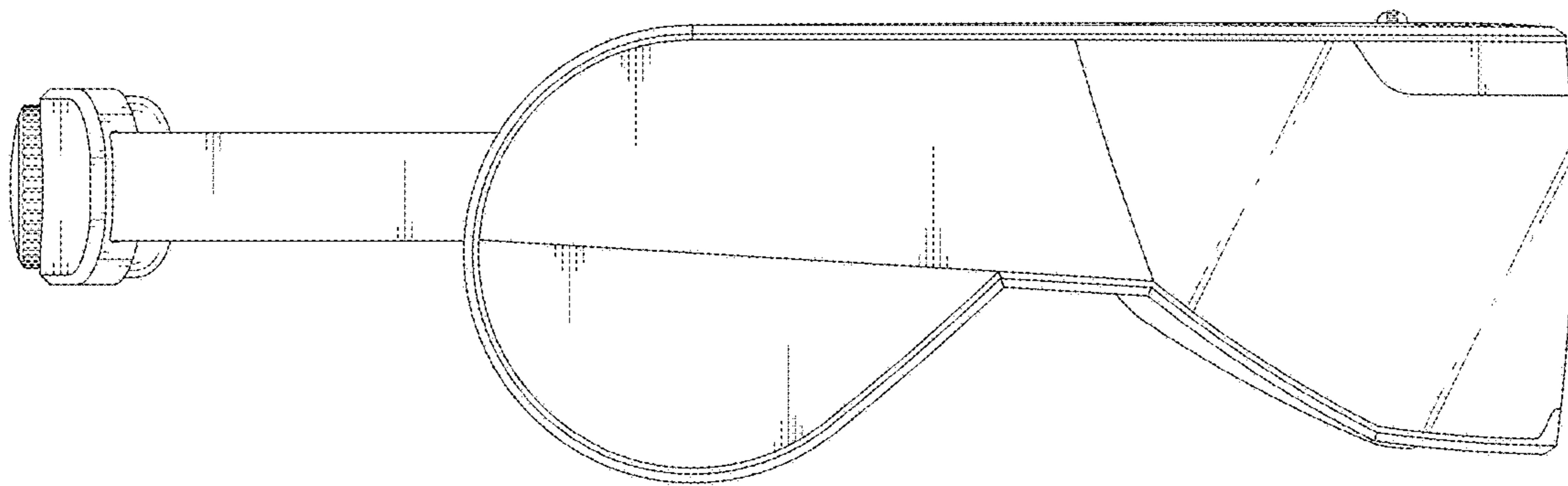


FIG. 5

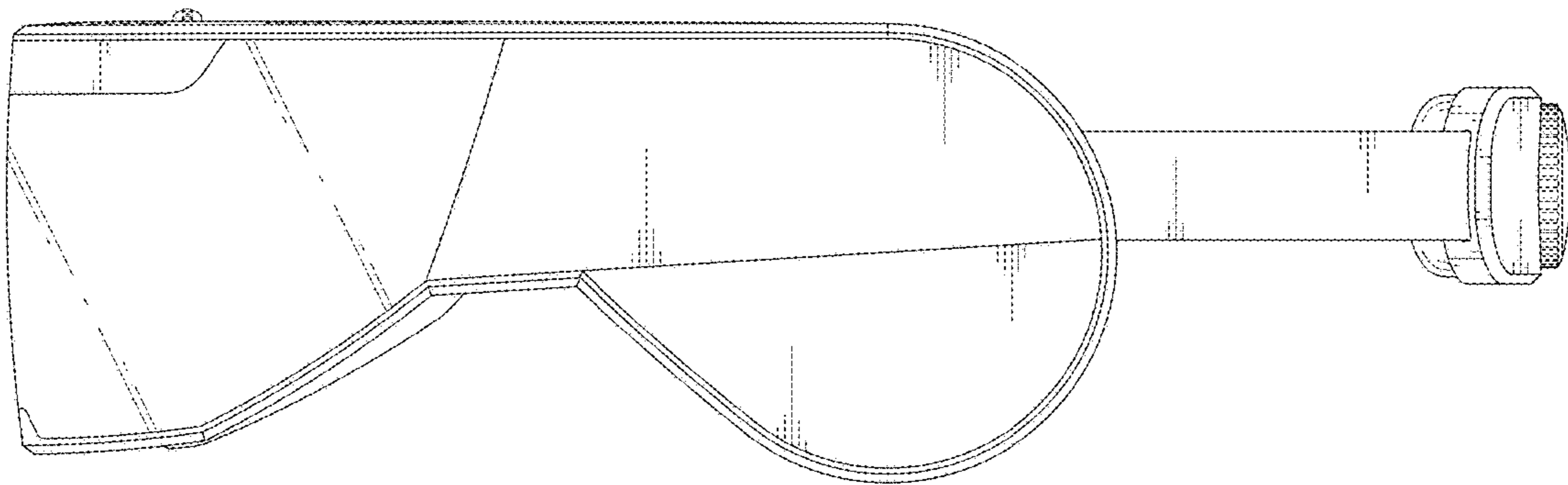


FIG. 6

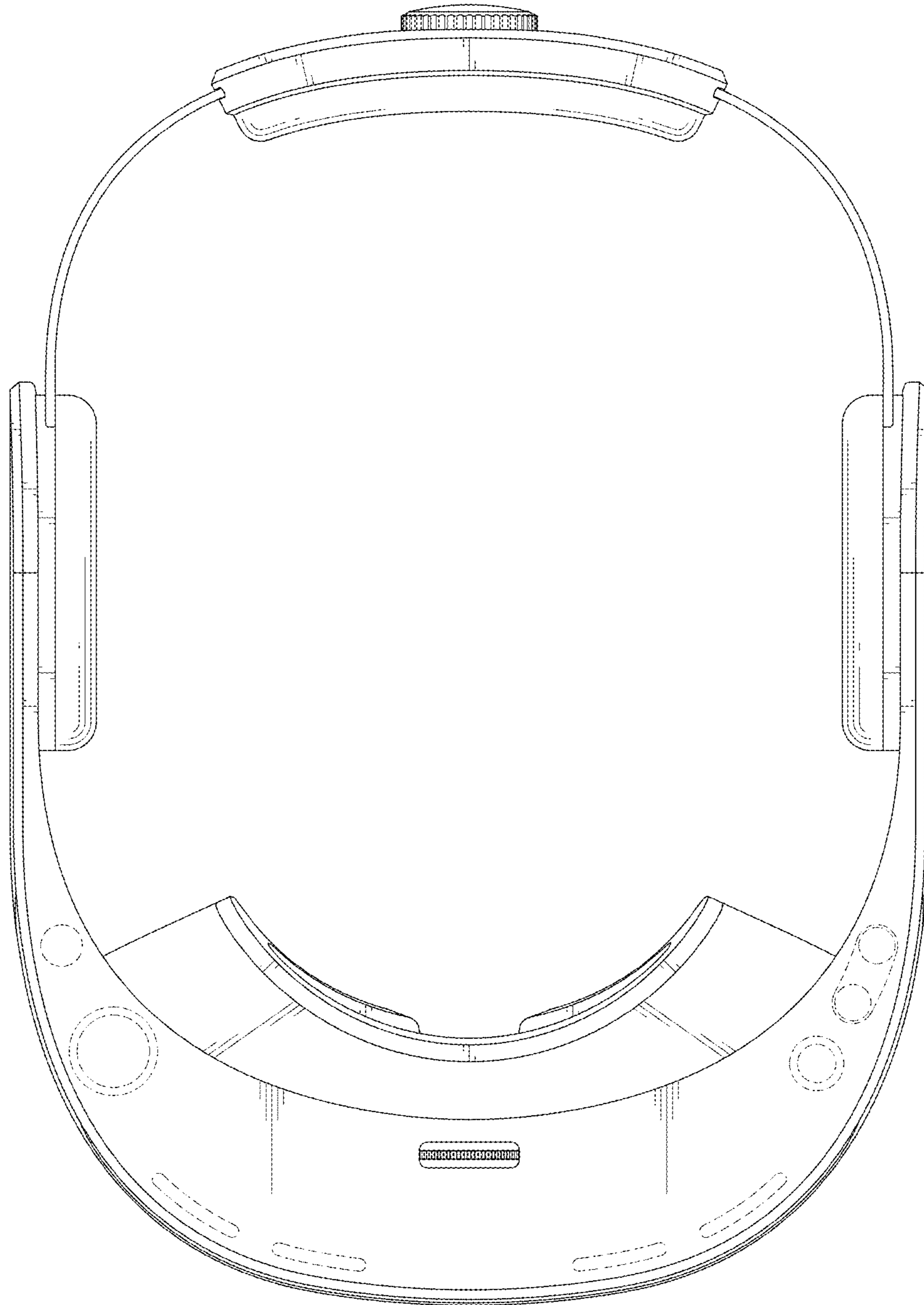


FIG. 7

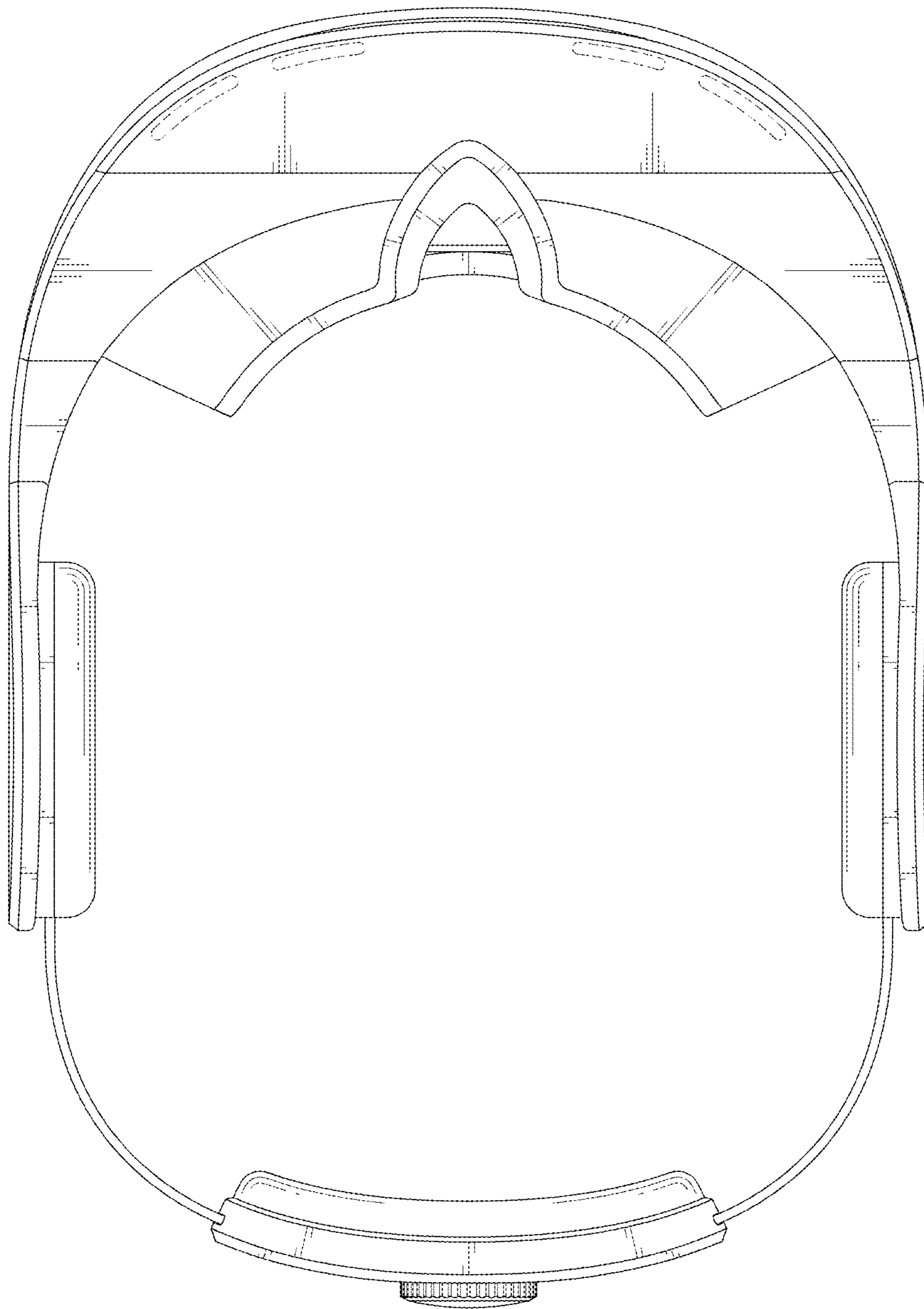


FIG. 8

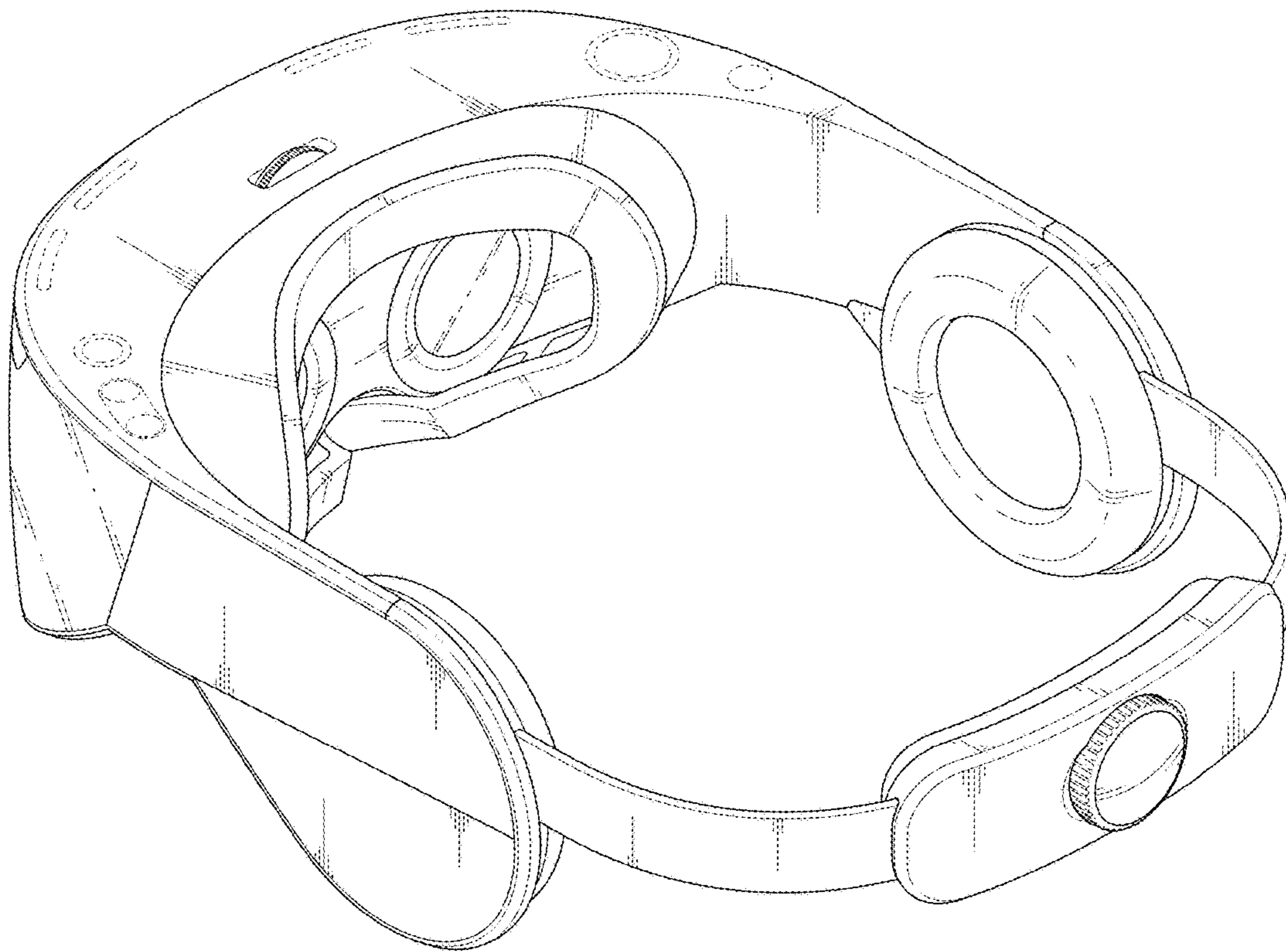


FIG. 9



FIG. 10

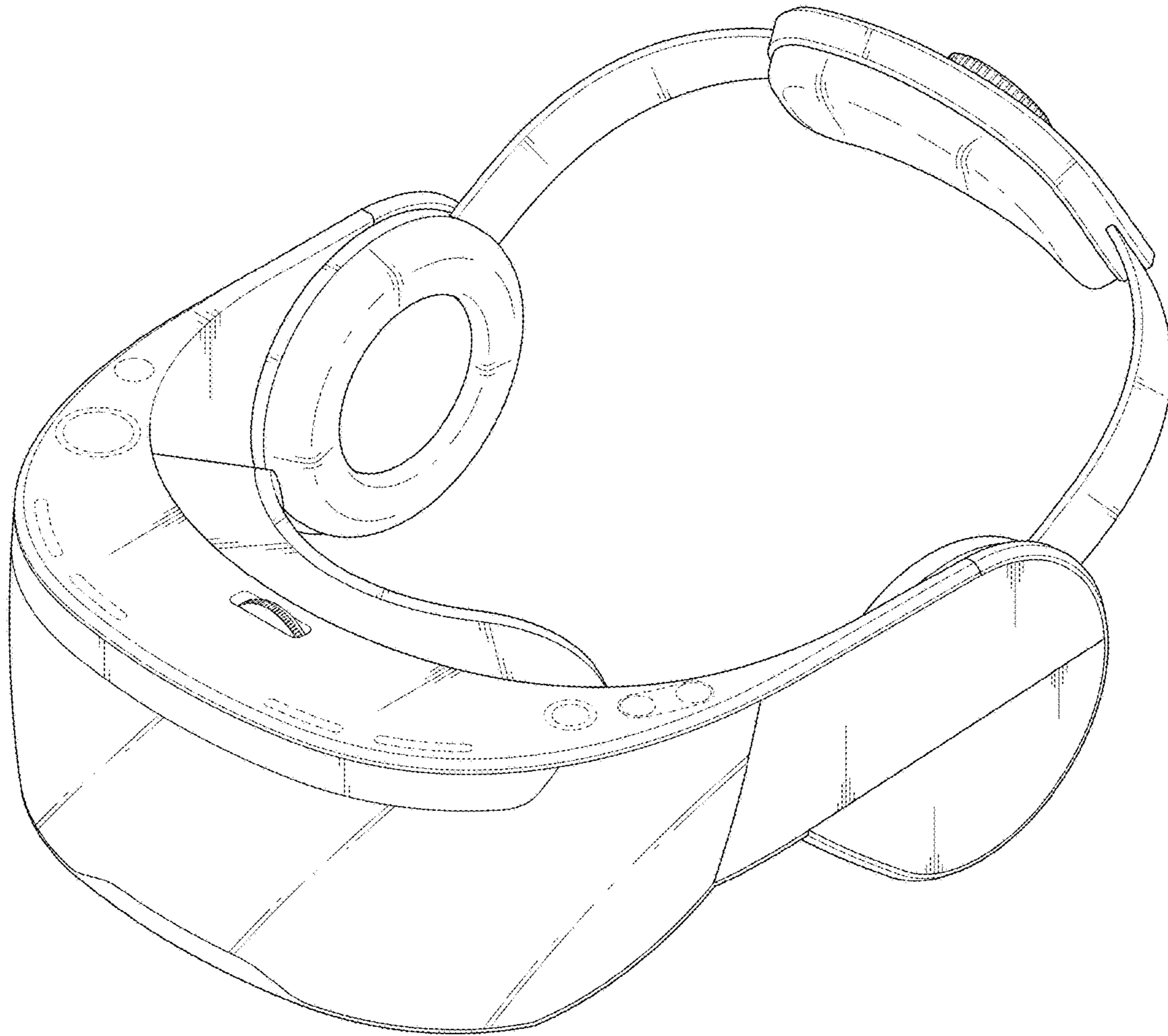


FIG. 11

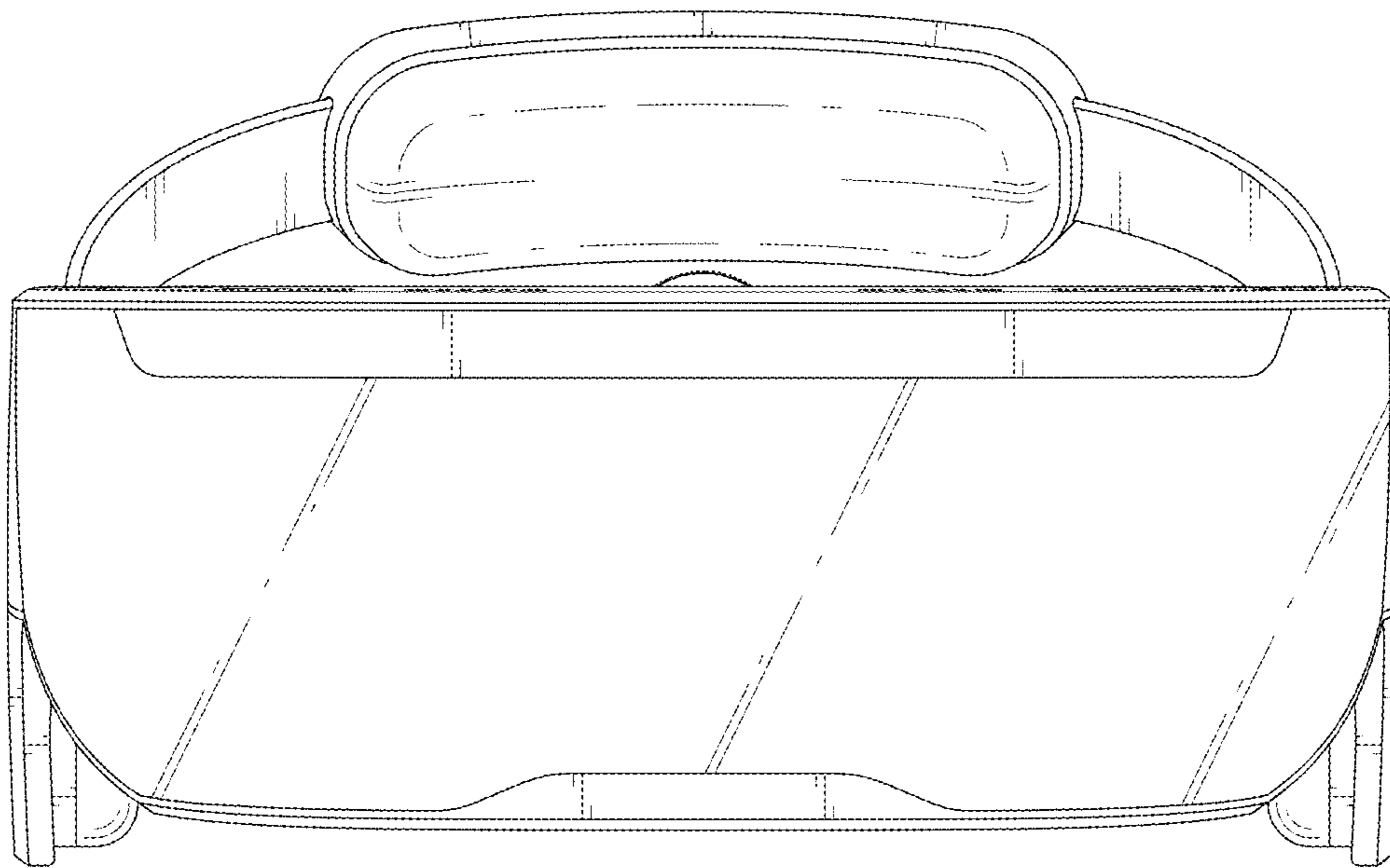


FIG. 12

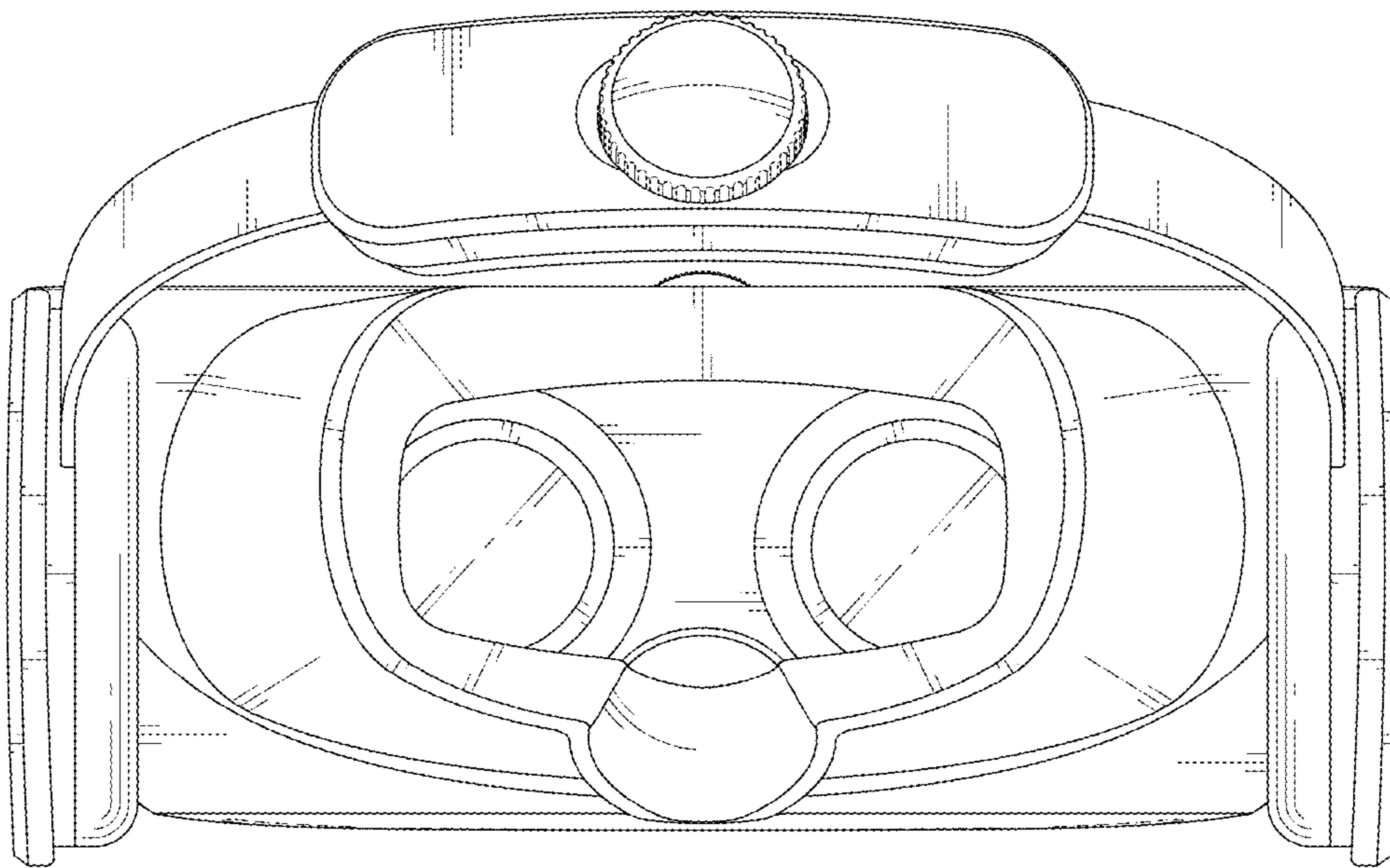


FIG. 13

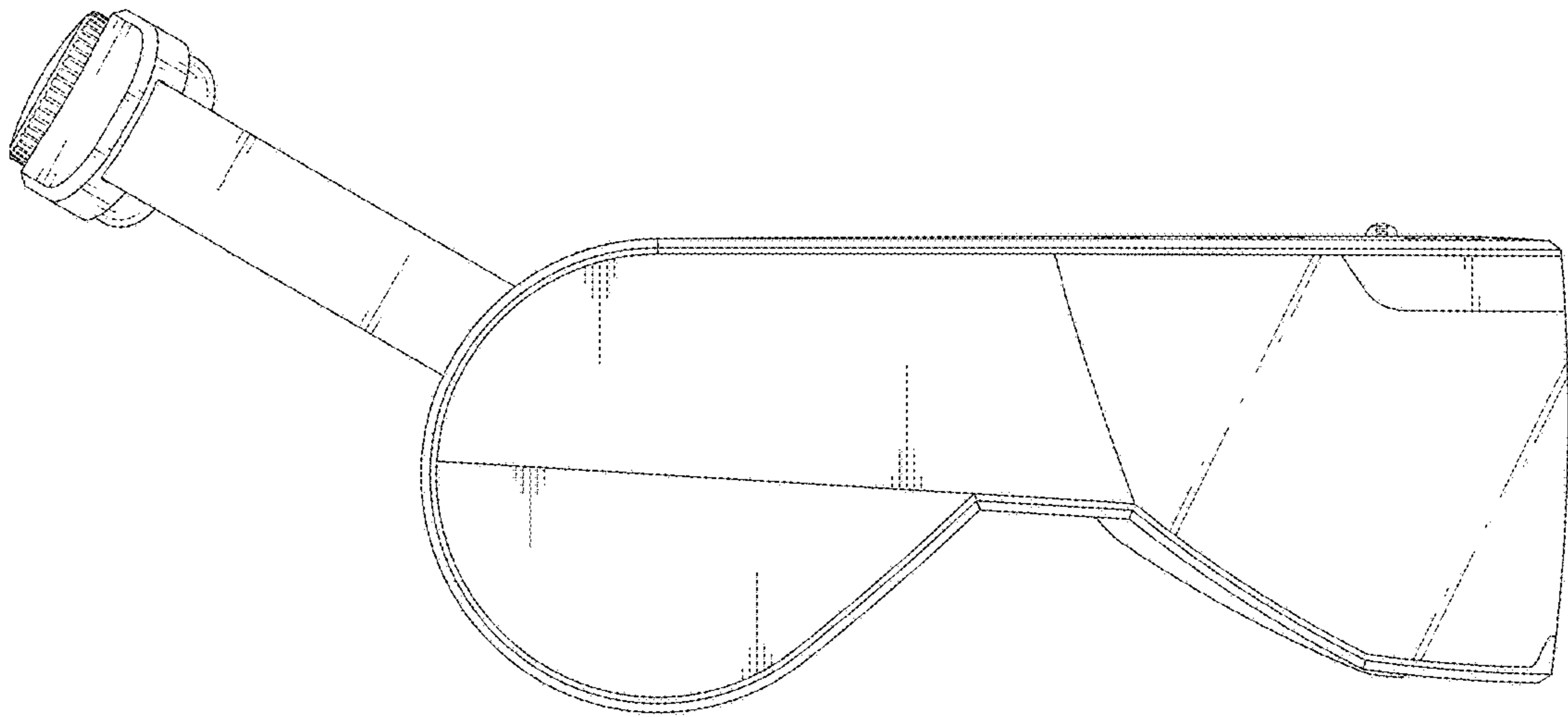


FIG. 14

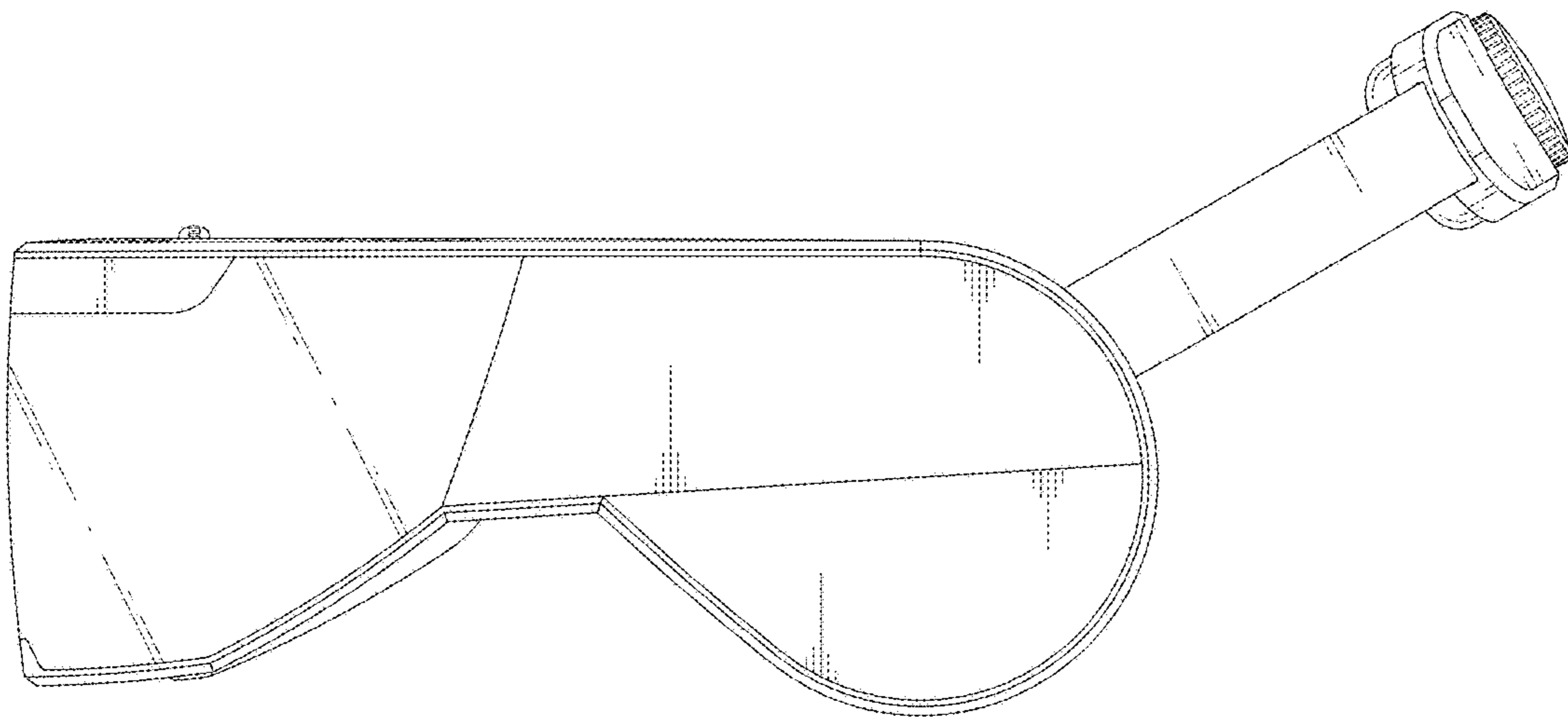


FIG. 15

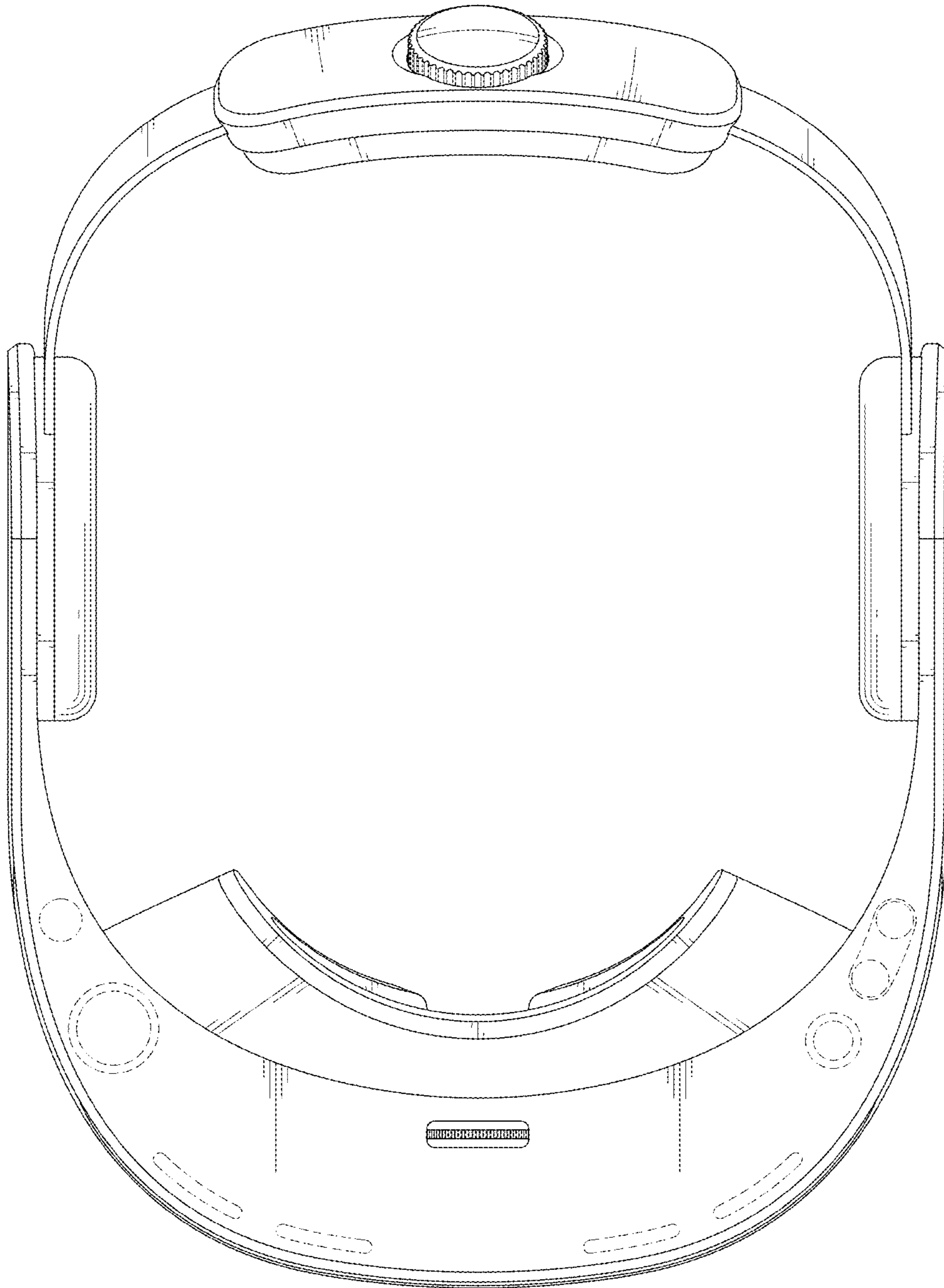


FIG. 16

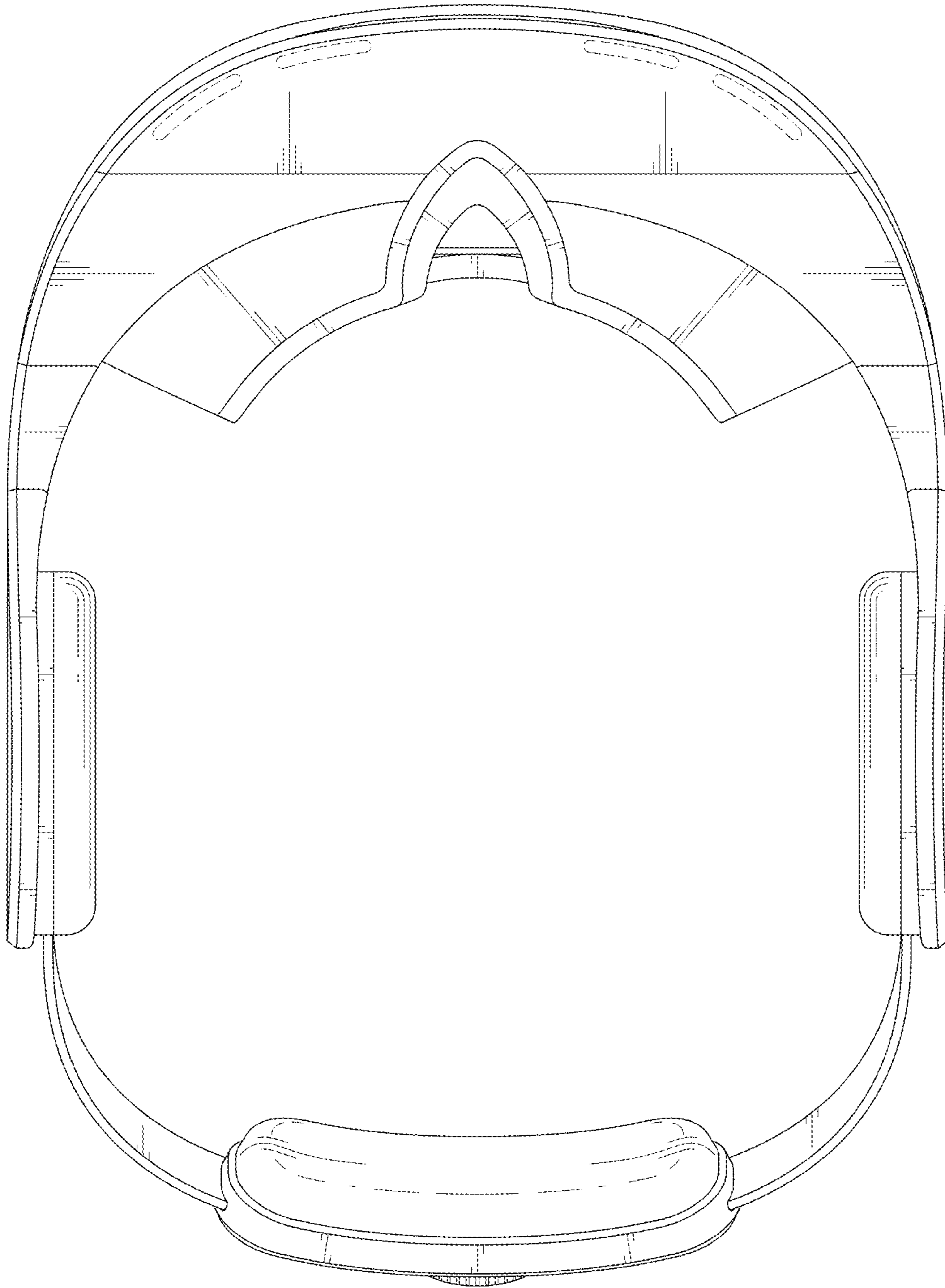


FIG. 17

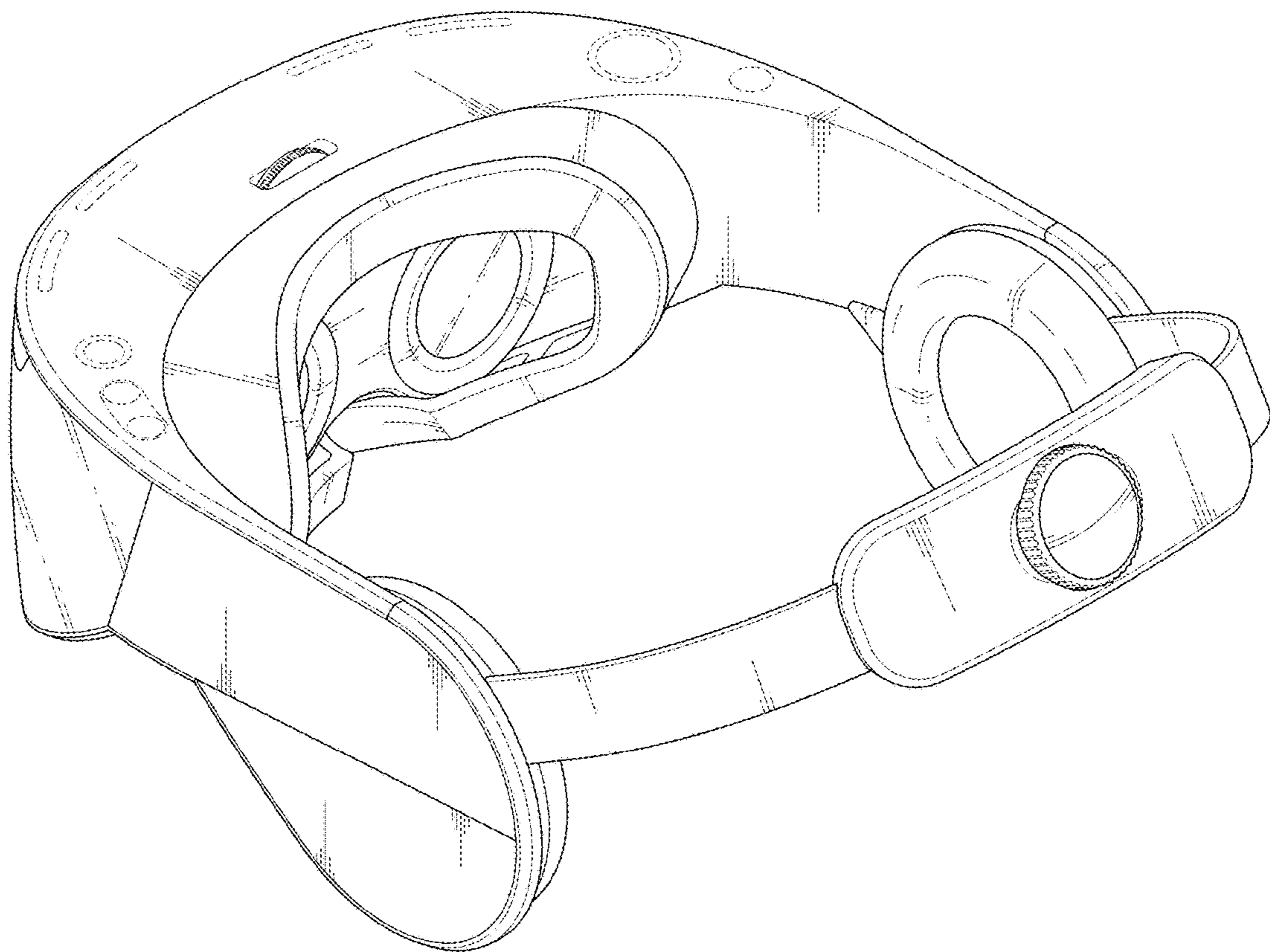


FIG. 18



FIG. 19

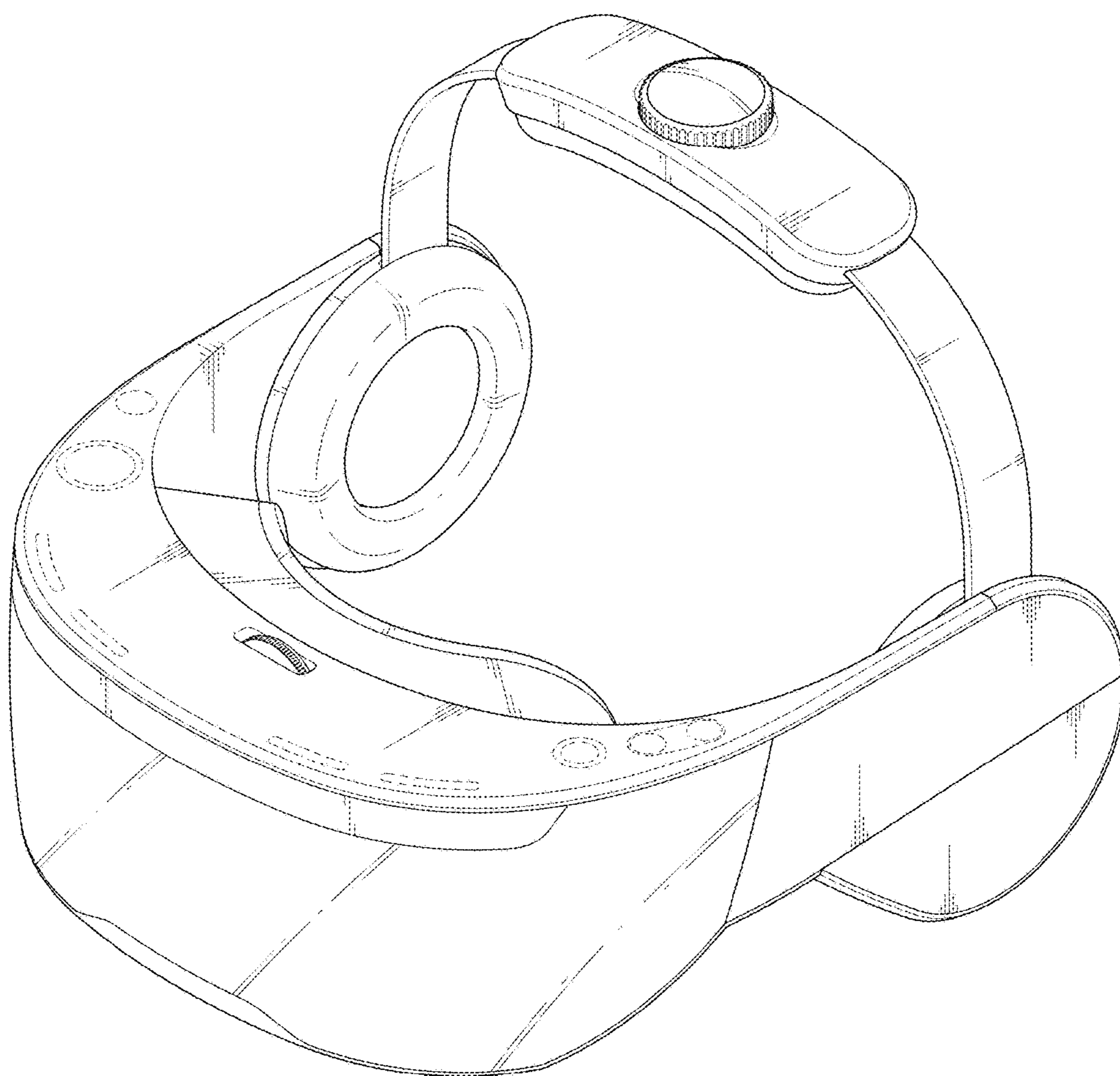


FIG. 20

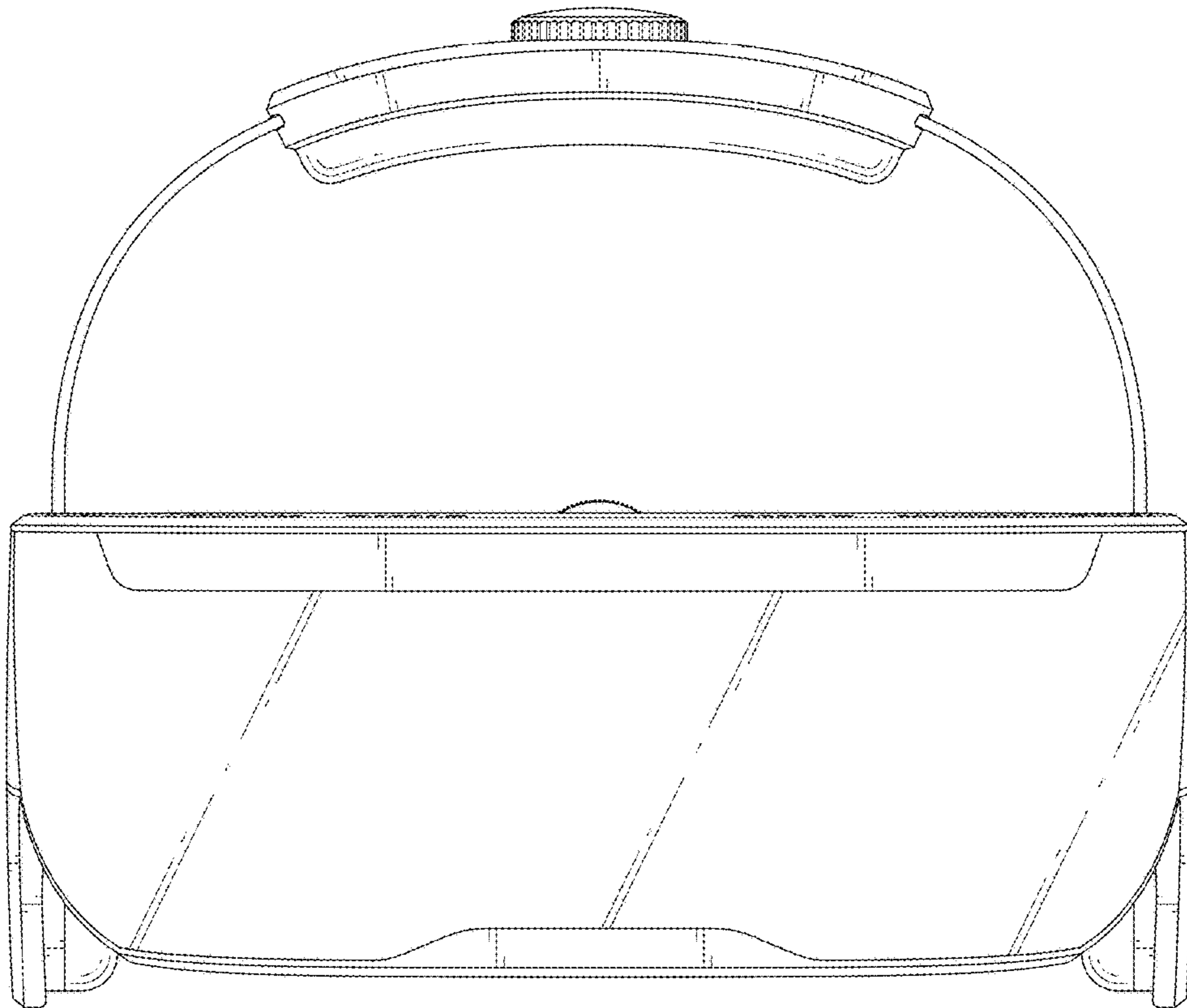


FIG. 21

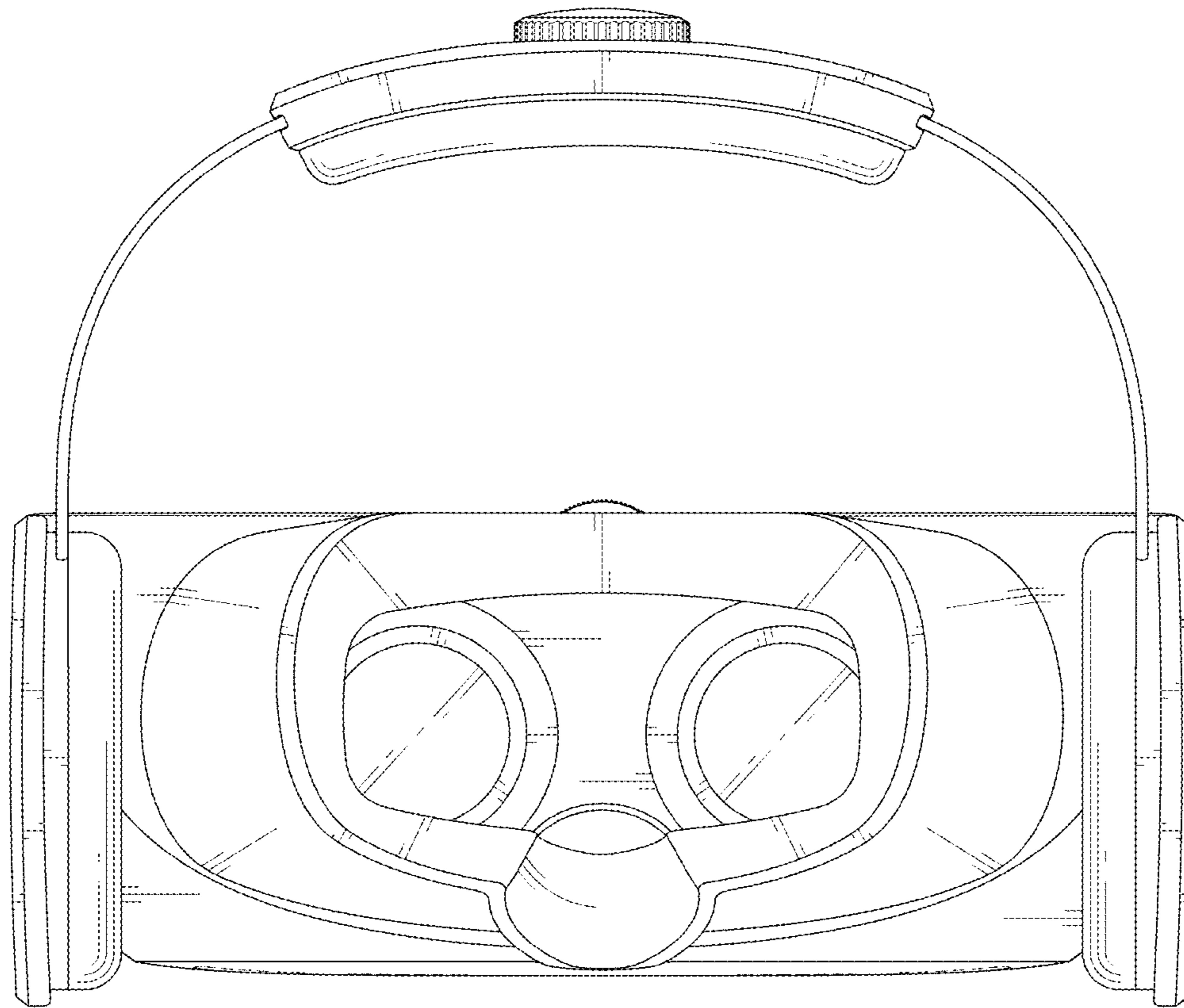


FIG. 22

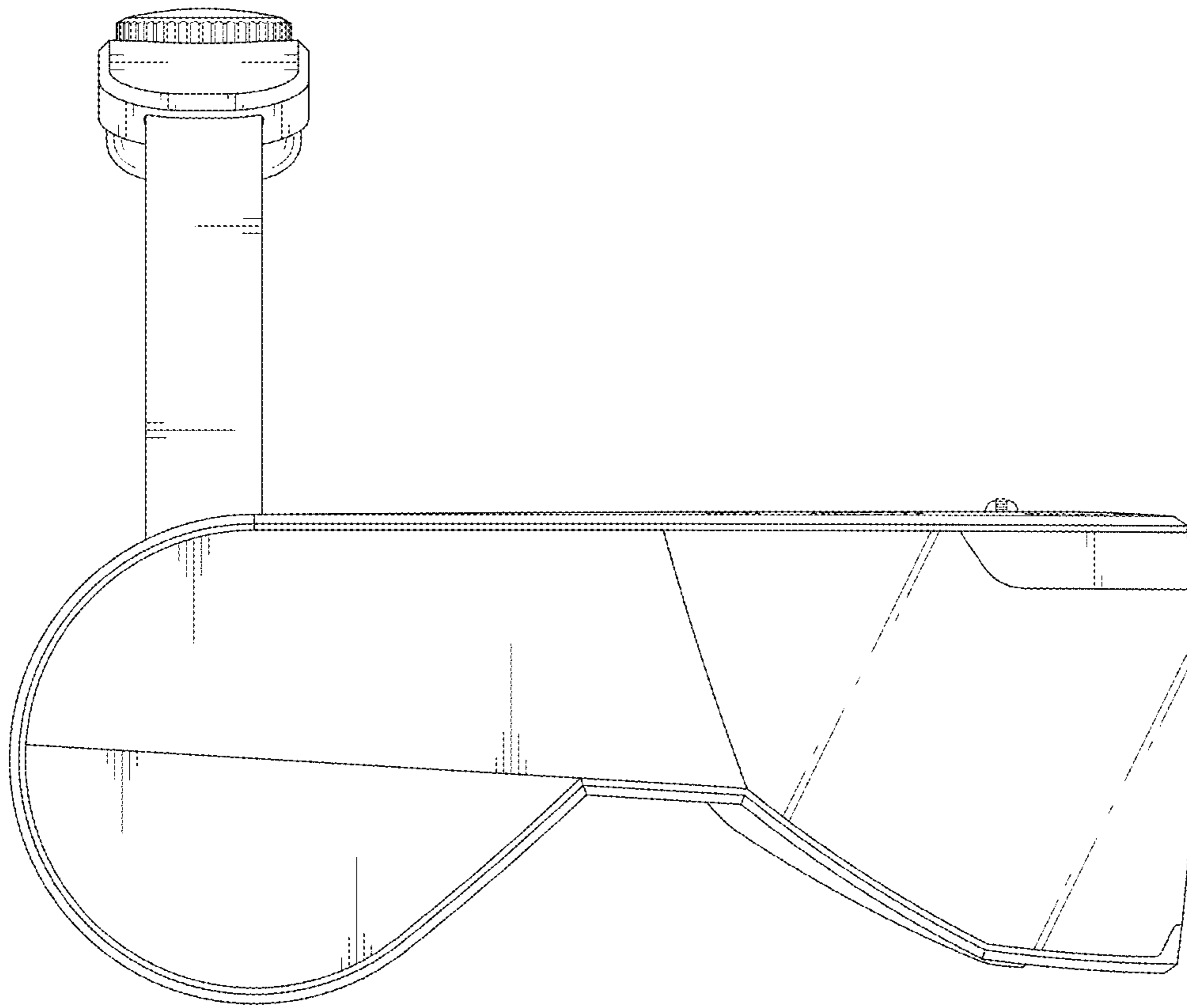


FIG. 23

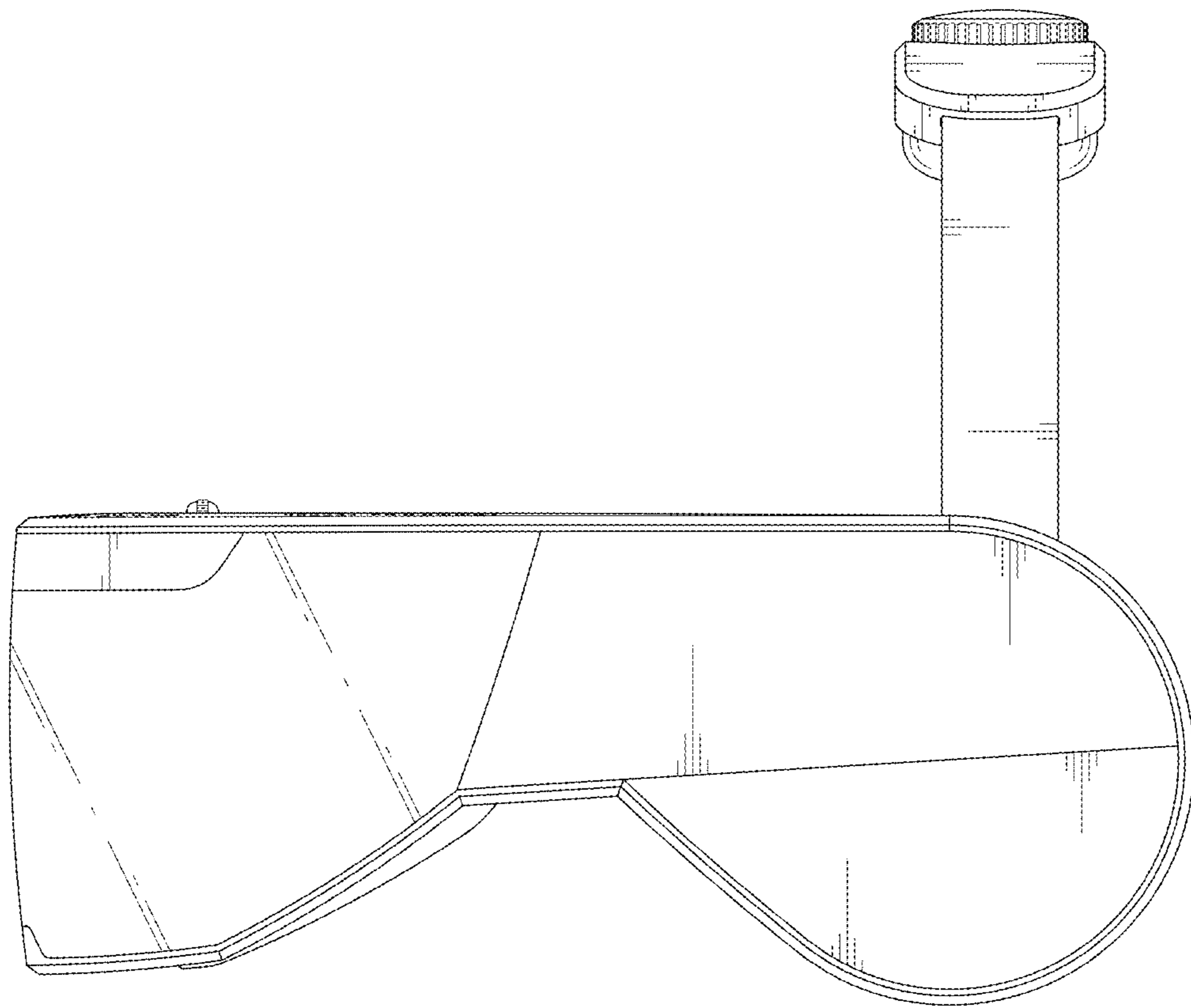


FIG. 24

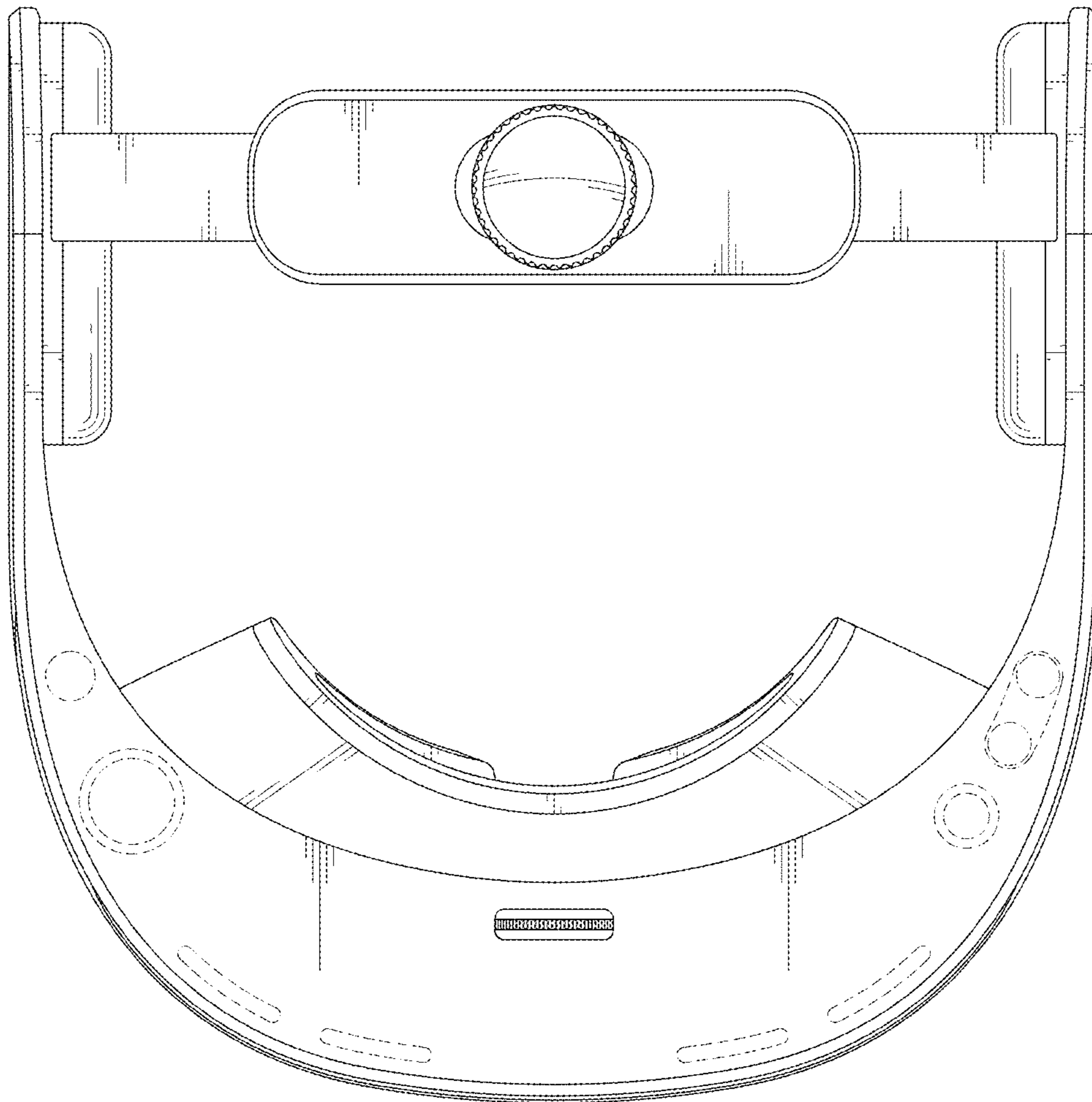


FIG. 25

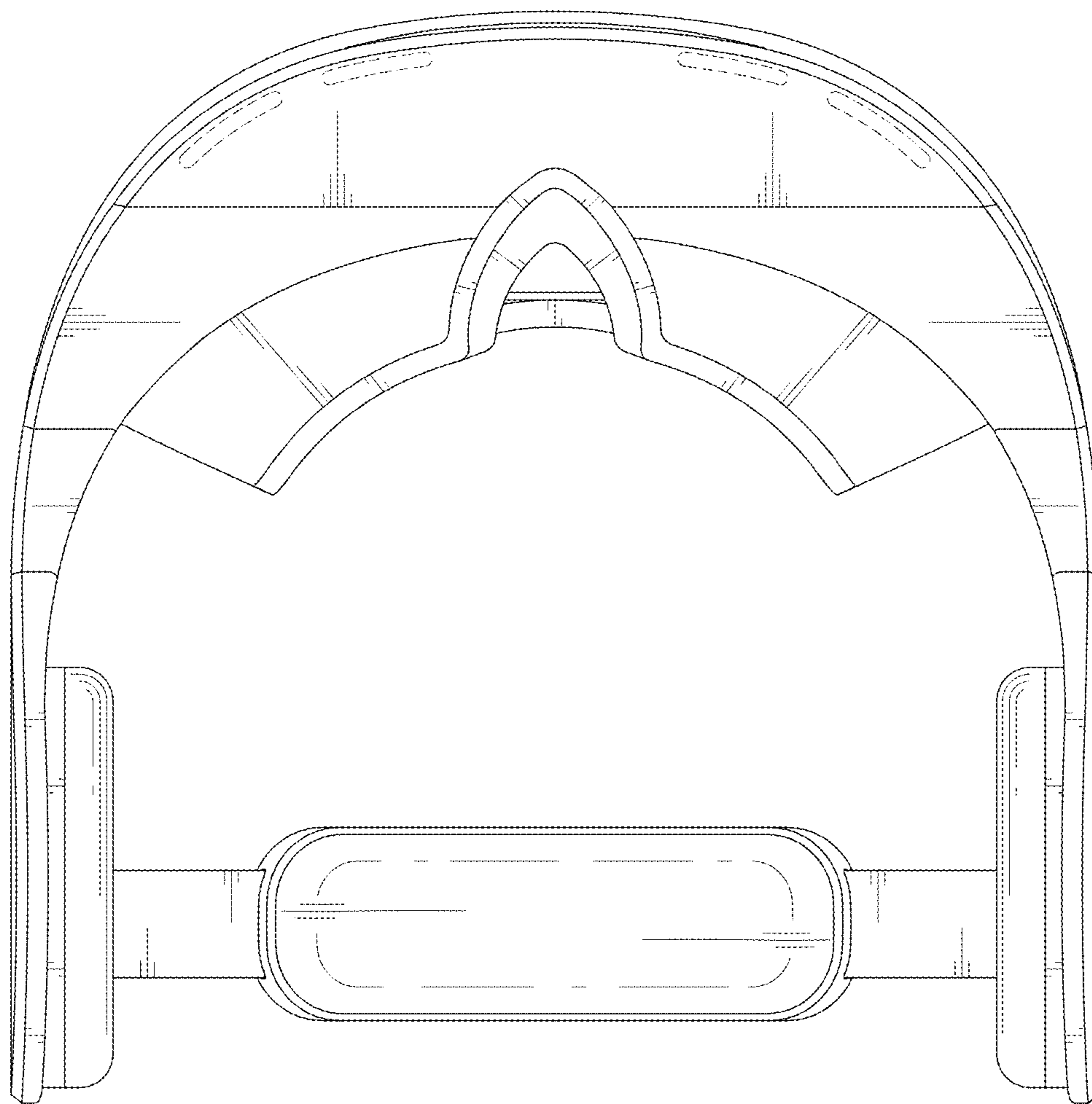


FIG. 26

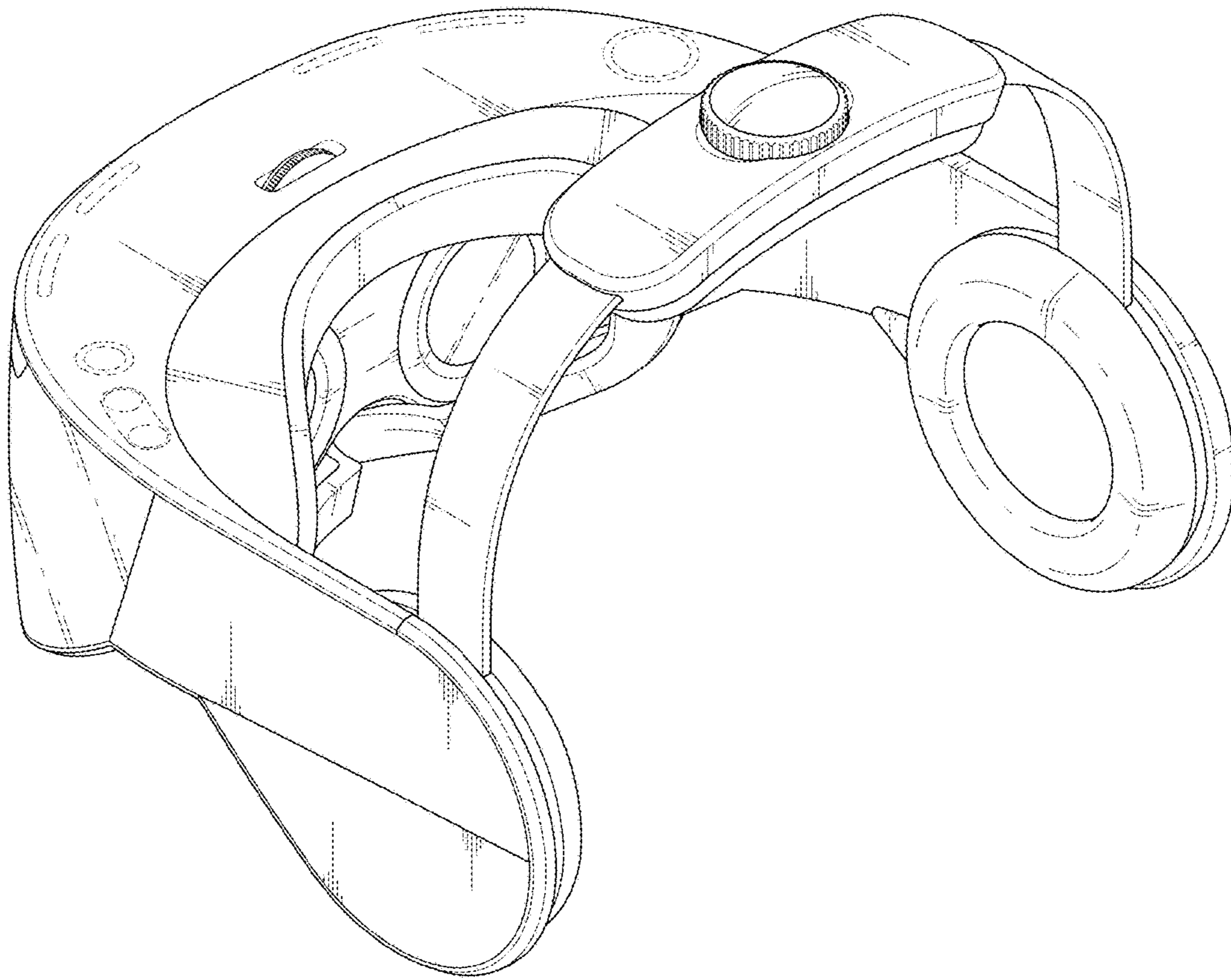


FIG. 27

