



US00D805061S

(12) **United States Design Patent** (10) **Patent No.:** **US D805,061 S**
Cai et al. (45) **Date of Patent:** **** Dec. 12, 2017**

(54) **MODULAR DISPLAY SUPPORT FRAME**

(56) **References Cited**

(71) Applicant: **ROE Visual Co., Ltd.**, Shenzhen, Guangdong (CN)

U.S. PATENT DOCUMENTS

(72) Inventors: **Danhu Cai**, Guangdong (CN); **Hong Zhang**, Guangdong (CN); **Youyuan Huang**, Guangdong (CN)

D639,448 S * 6/2011 Grainger D25/1
8,267,336 B2 * 9/2012 Goldmann B03B 9/061
241/101.2
D720,607 S * 1/2015 Kats D8/380
D736,750 S * 8/2015 Hochman D14/239

(73) Assignee: **ROE Visual Co., Ltd.**, Shenzhen (CN)

* cited by examiner

(**) Term: **15 Years**

Primary Examiner — Randall Gholson

(21) Appl. No.: **29/577,271**

(57) **CLAIM**

(22) Filed: **Sep. 12, 2016**

The ornamental design for a modular display support frame, as shown and described.

(30) **Foreign Application Priority Data**

DESCRIPTION

Mar. 11, 2016 (CN) 2016 3 0068593

(51) **LOC (10) Cl.** **14-03**

(52) **U.S. Cl.**
USPC **D14/239**

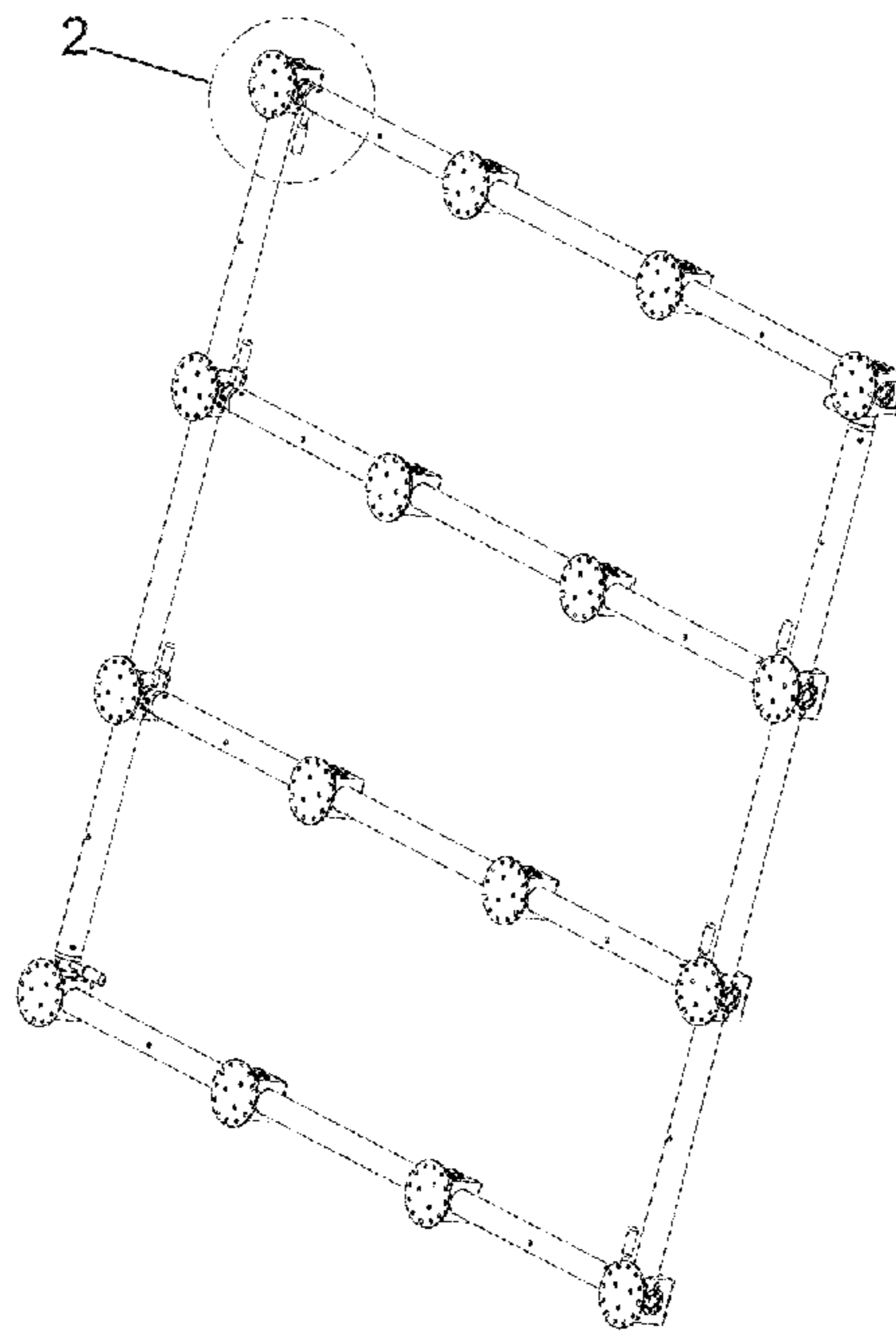
(58) **Field of Classification Search**
USPC D14/125–134, 239, 371, 136, 374–377,
D14/440, 450, 448, 336, 342; 312/7.2;
348/836, 838, 180, 184, 325, 739;
341/12; 248/917–924, 465, 309.2;
345/104, 133, 156, 168, 87, 173;
720/605, 669, 600, 655; 369/99, 197;
455/344, 347; D21/329, 515, 577, 622,
D21/333, 433, 448, 452, 450, 331;
D6/477, 479, 300; 273/148 B; 446/484,
446/175, 356; D10/15, 26; 361/801,
361/802, 754, 728; 257/88

FIG. 1 is a first perspective view of a modular display support frame showing our new design;
FIG. 2 is an enlarged view of portion 2 of FIG. 1;
FIG. 3 is a second perspective view of FIG. 1;
FIG. 4 is an enlarged view of portion 4 of FIG. 3;
FIG. 5 is a third perspective view of FIG. 1;
FIG. 6 is an enlarged view of portion 6 of FIG. 5;
FIG. 7 is a fourth perspective view of FIG. 1;
FIG. 8 is an enlarged view of portion 8 of FIG. 7;
FIG. 9 is a fifth perspective view of FIG. 1;
FIG. 10 is an enlarged view of portion 10 of FIG. 9;
FIG. 11 a sixth perspective view of FIG. 1;
FIG. 12 is an enlarged view of portion 12 of FIG. 11;
FIG. 13 is seventh perspective view of FIG. 1;
FIG. 14 is an enlarged view of portion 14 of FIG. 13;
FIG. 15 is eighth perspective view of FIG. 1; and,
FIG. 16 is an enlarged view of portion 16 of FIG. 15.

CPC H04N 1/00

See application file for complete search history.

1 Claim, 16 Drawing Sheets



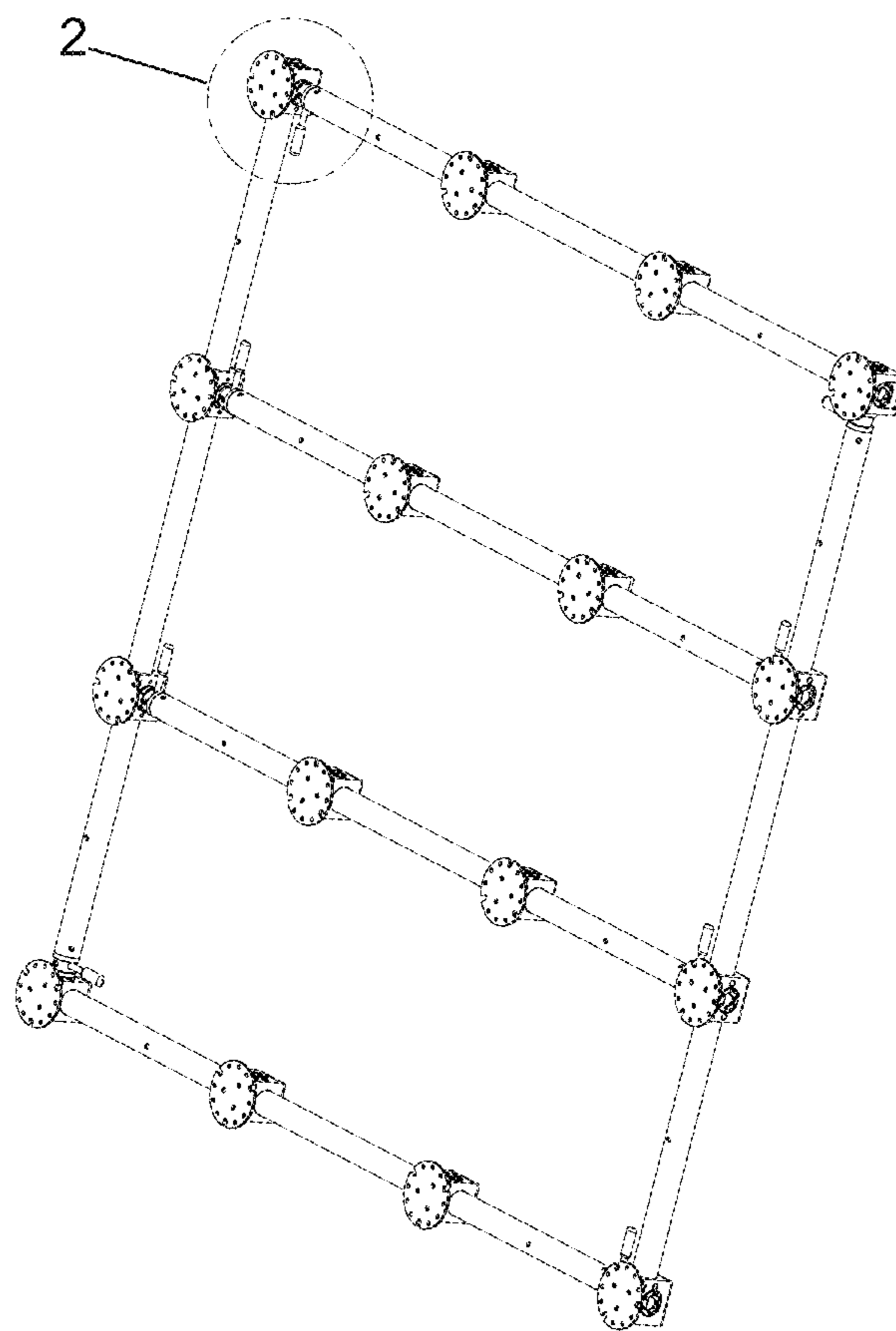


Fig. 1

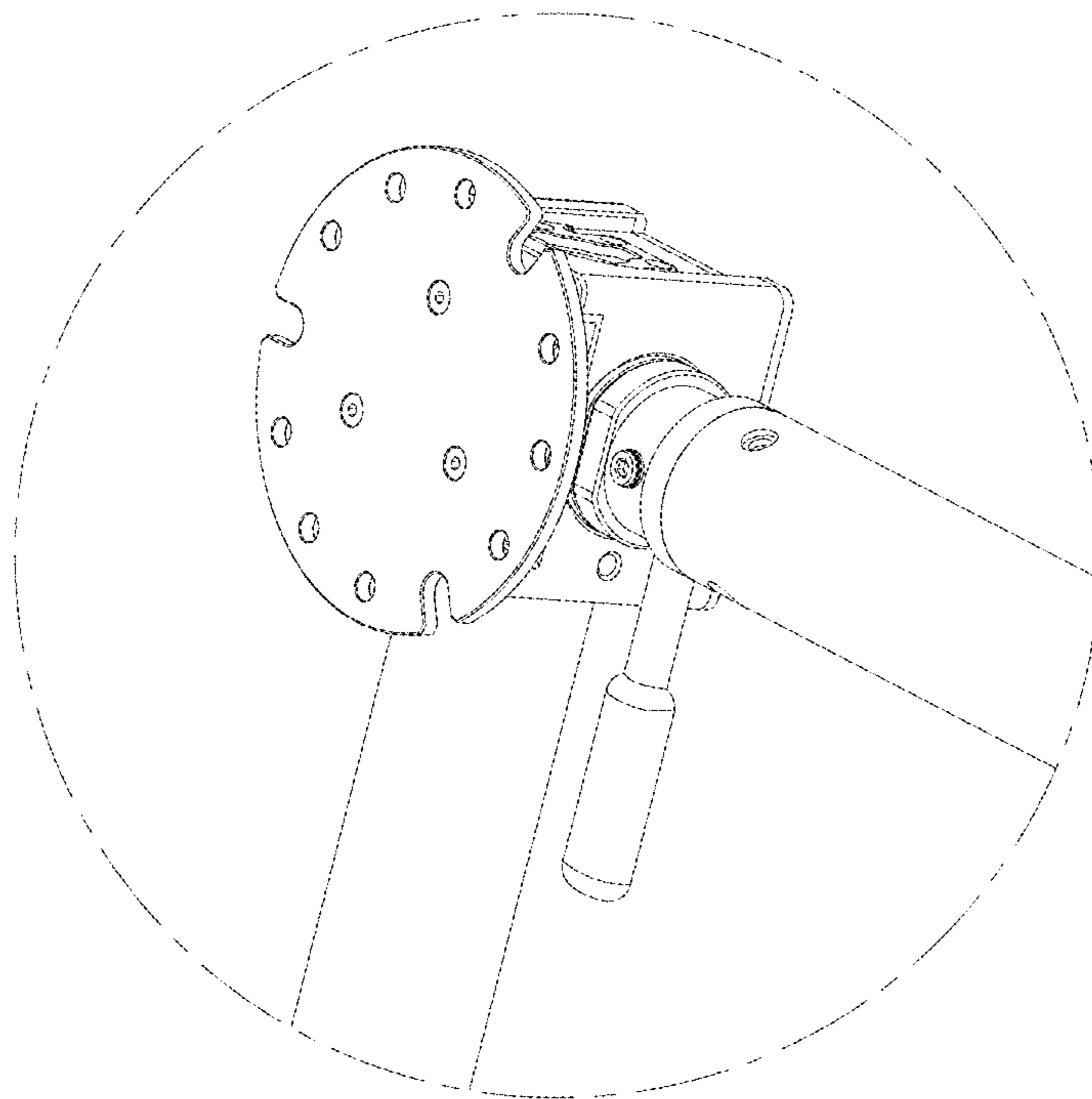


Fig. 2

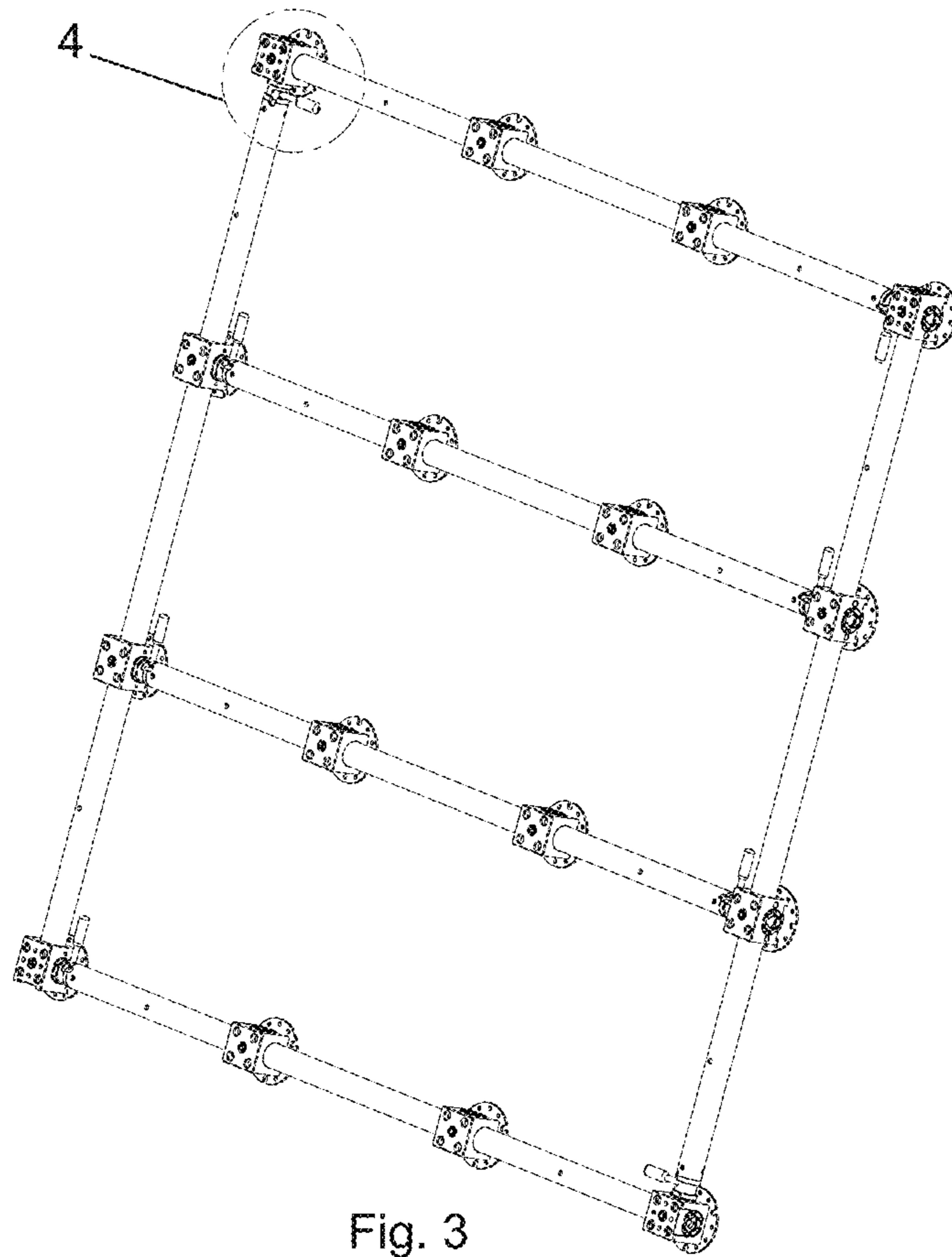


Fig. 3

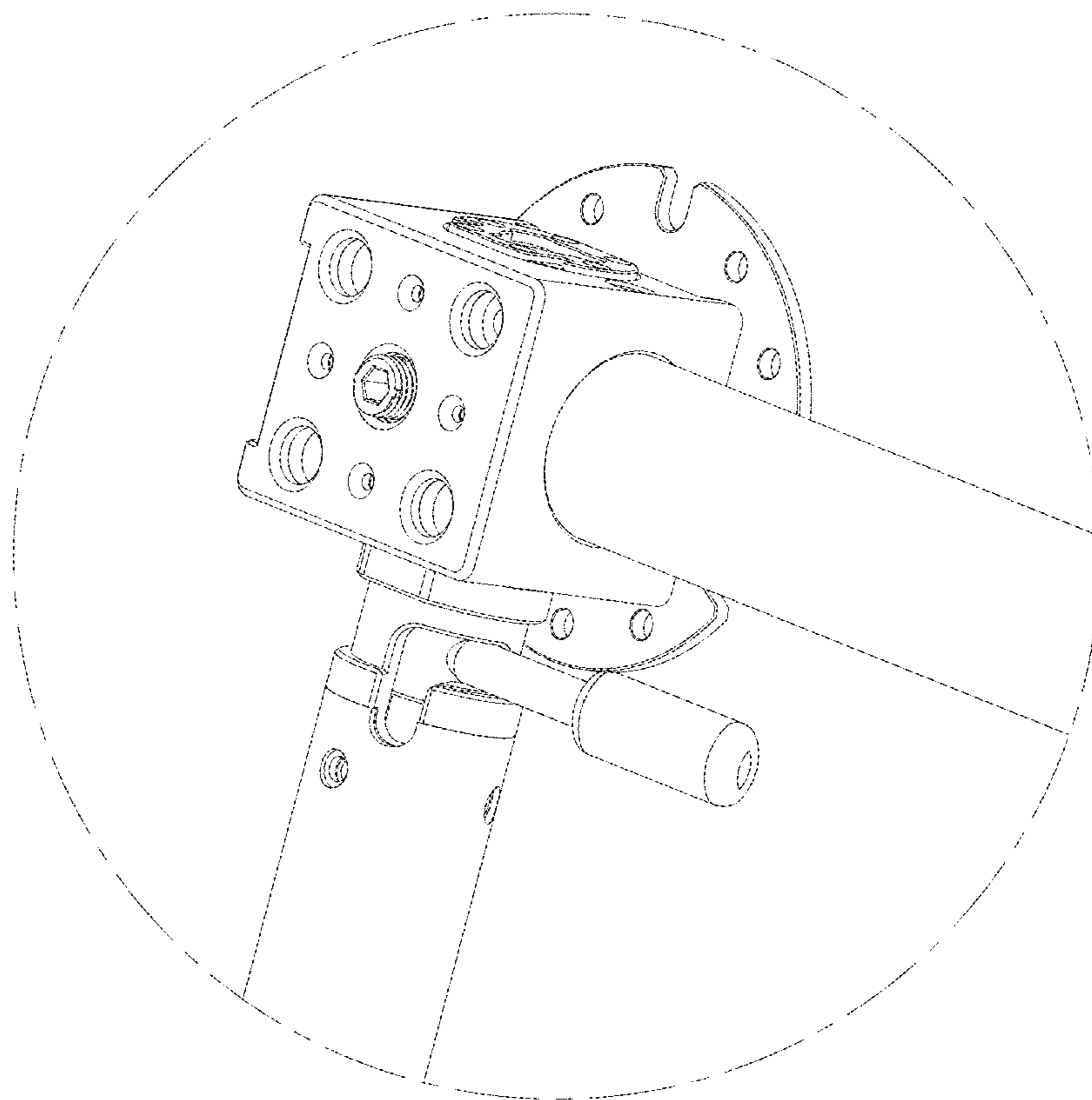


Fig. 4

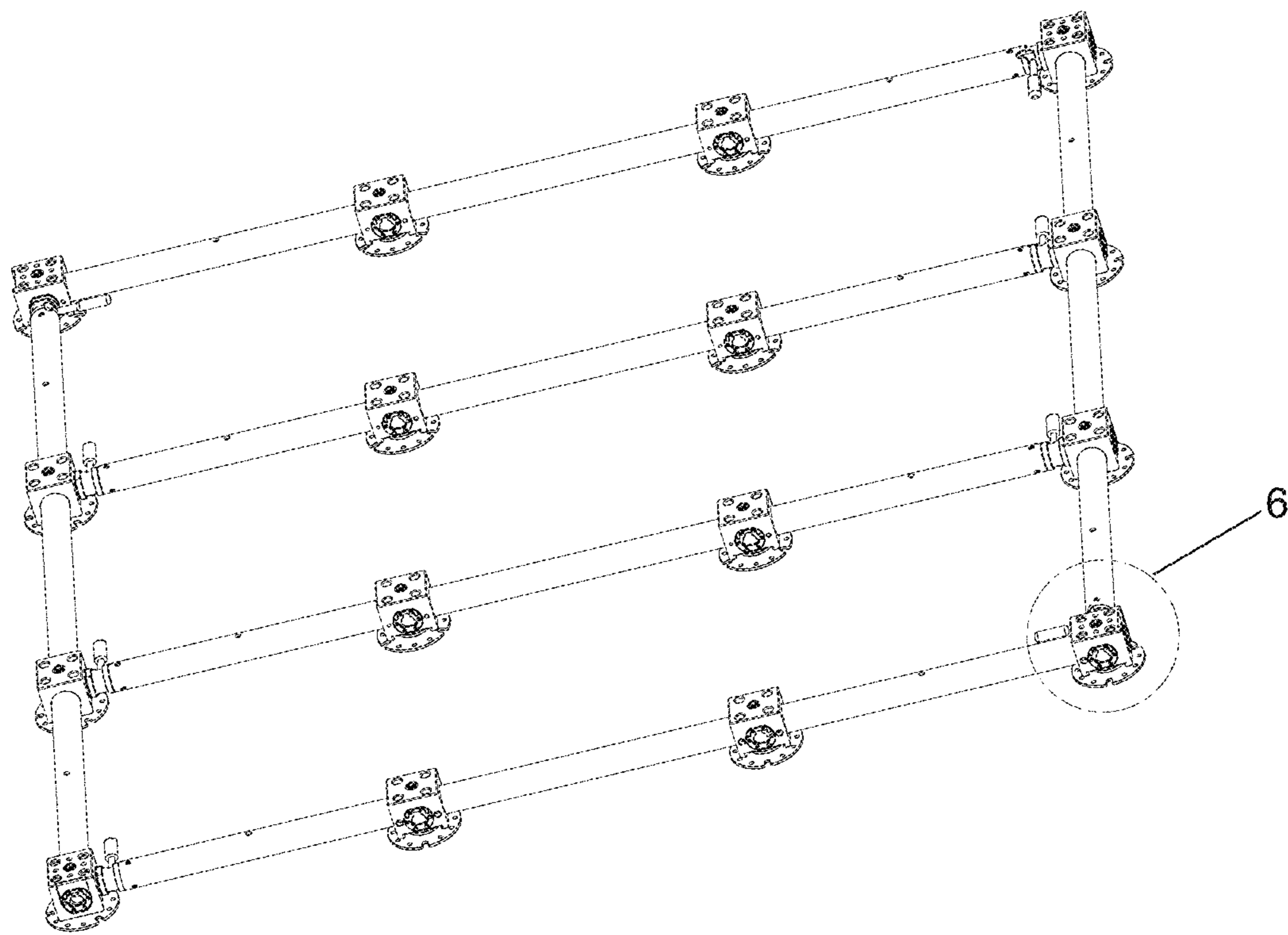


Fig. 5

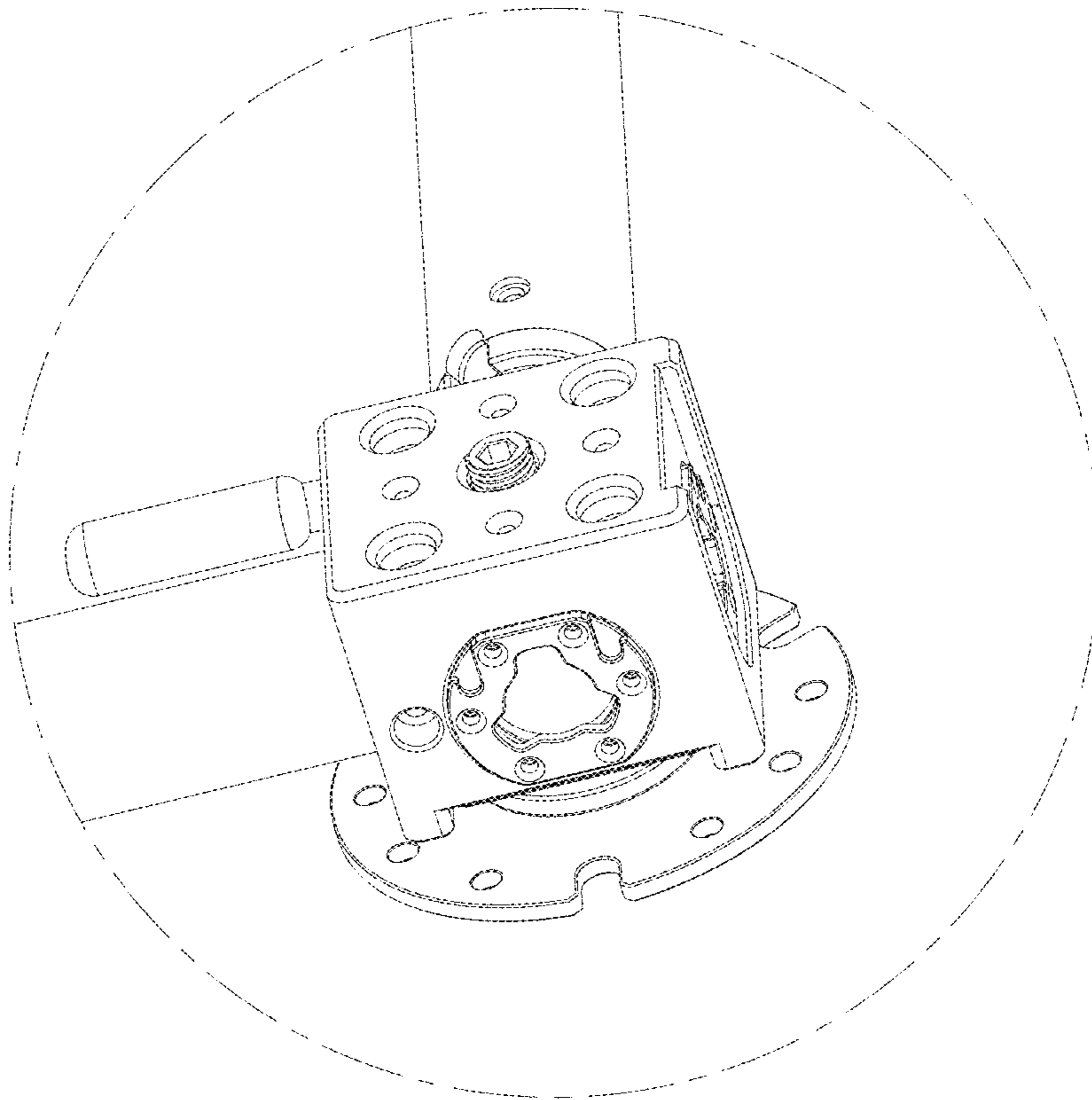


Fig. 6

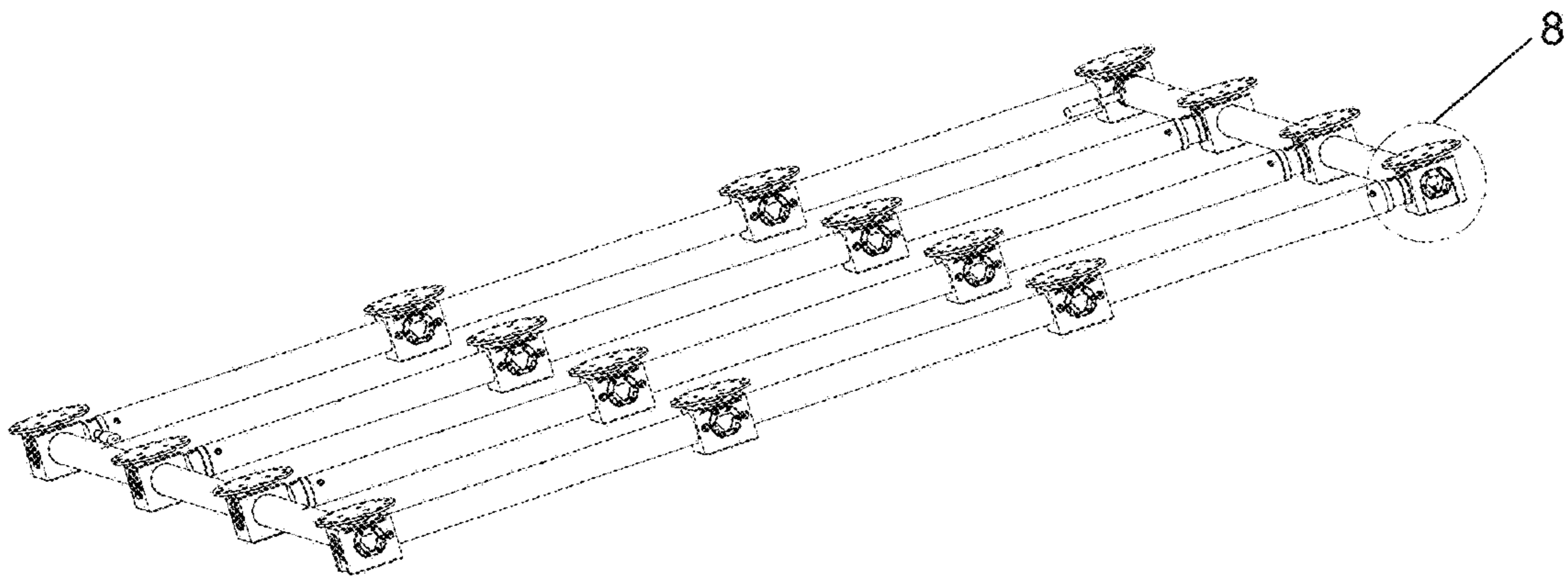


Fig. 7

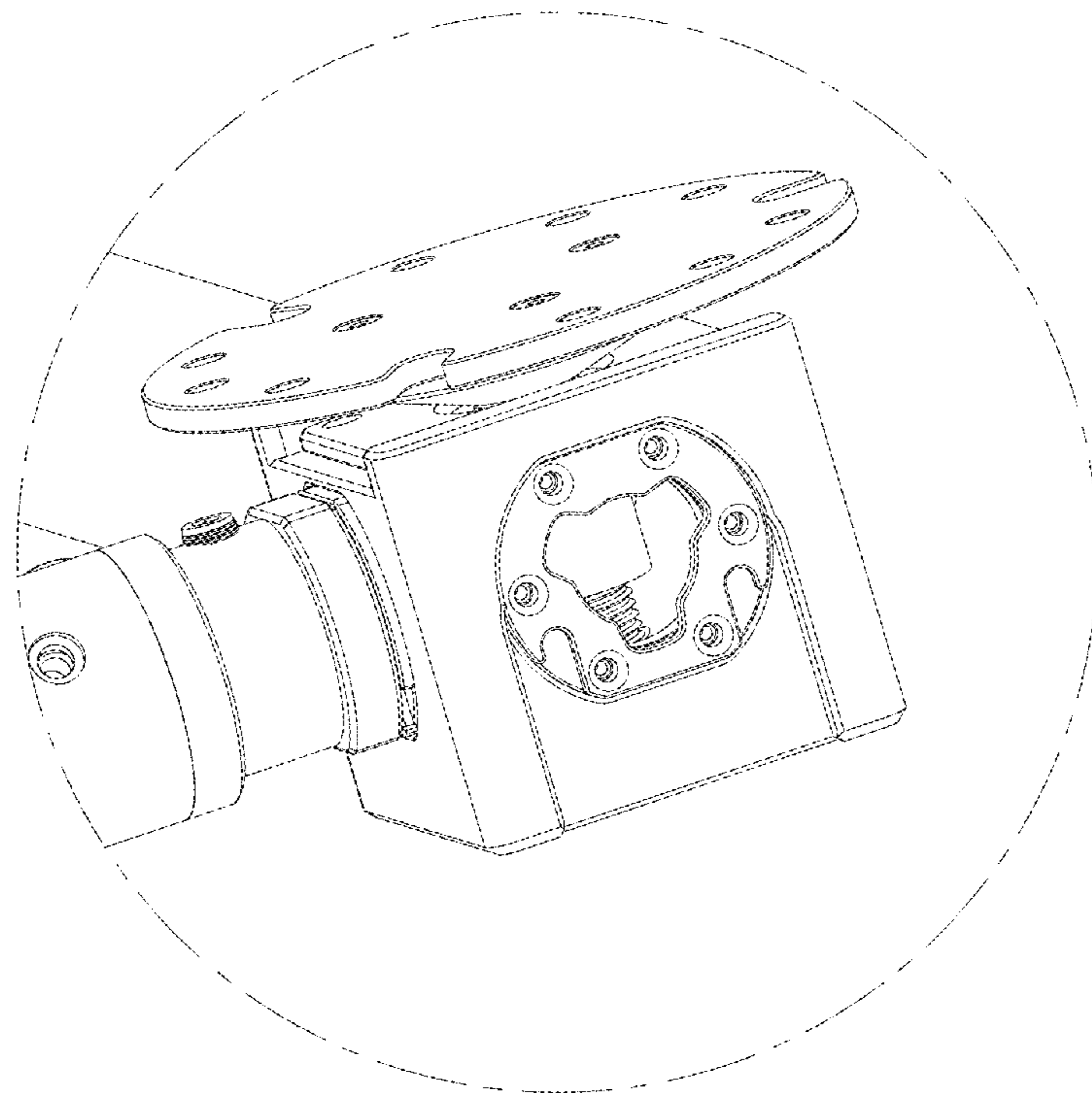


Fig. 8

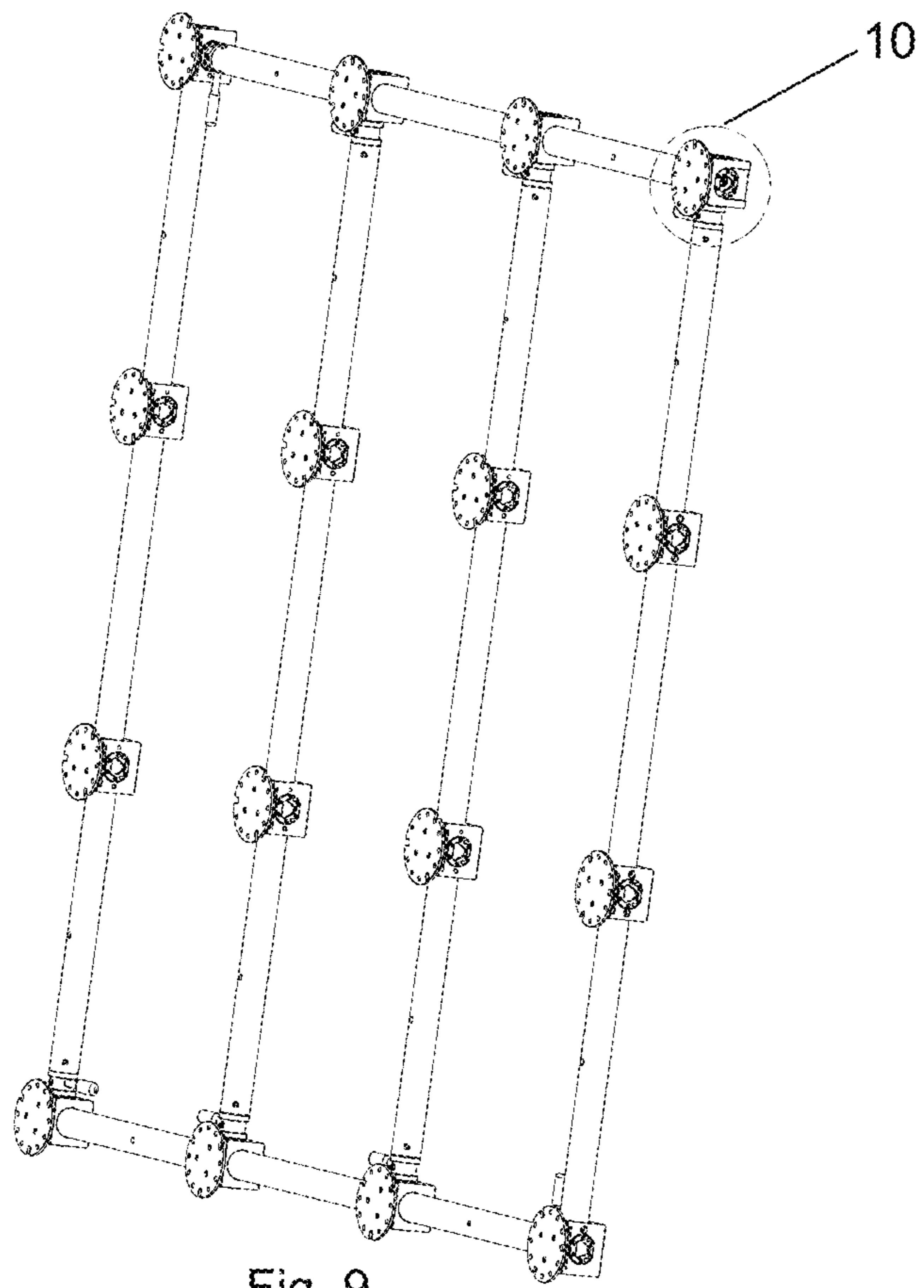


Fig. 9

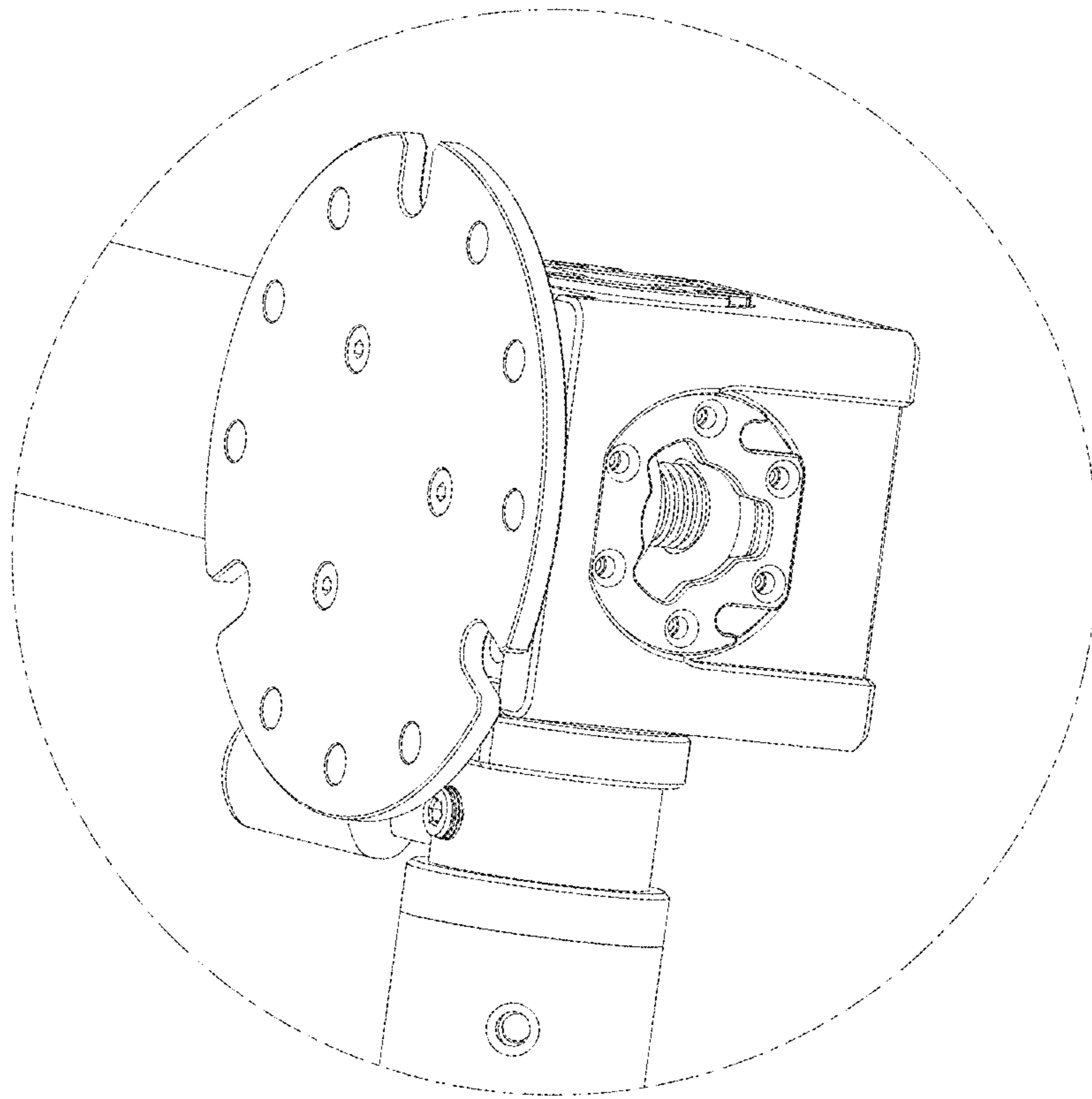


Fig. 10

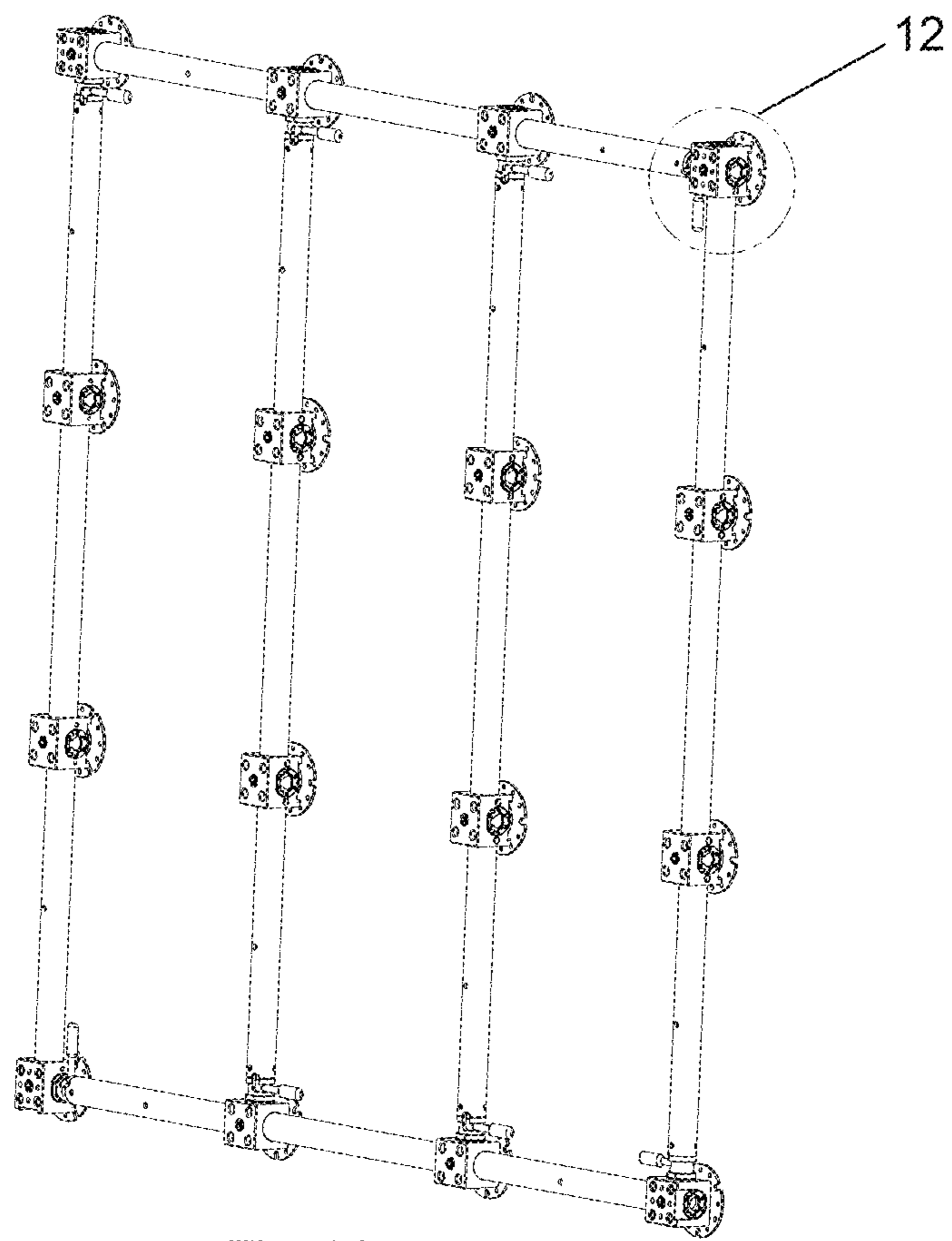


Fig. 11

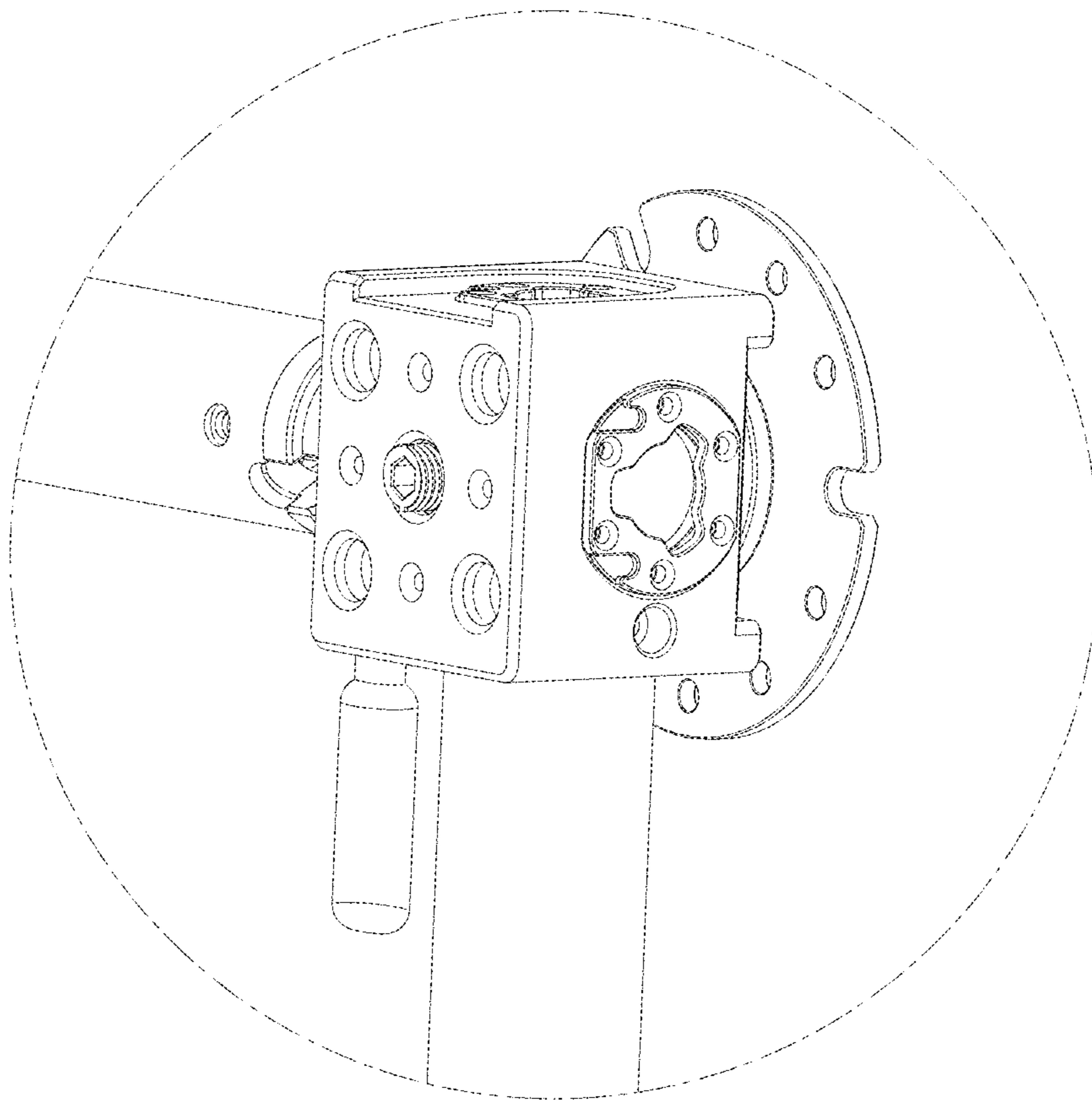


Fig. 12

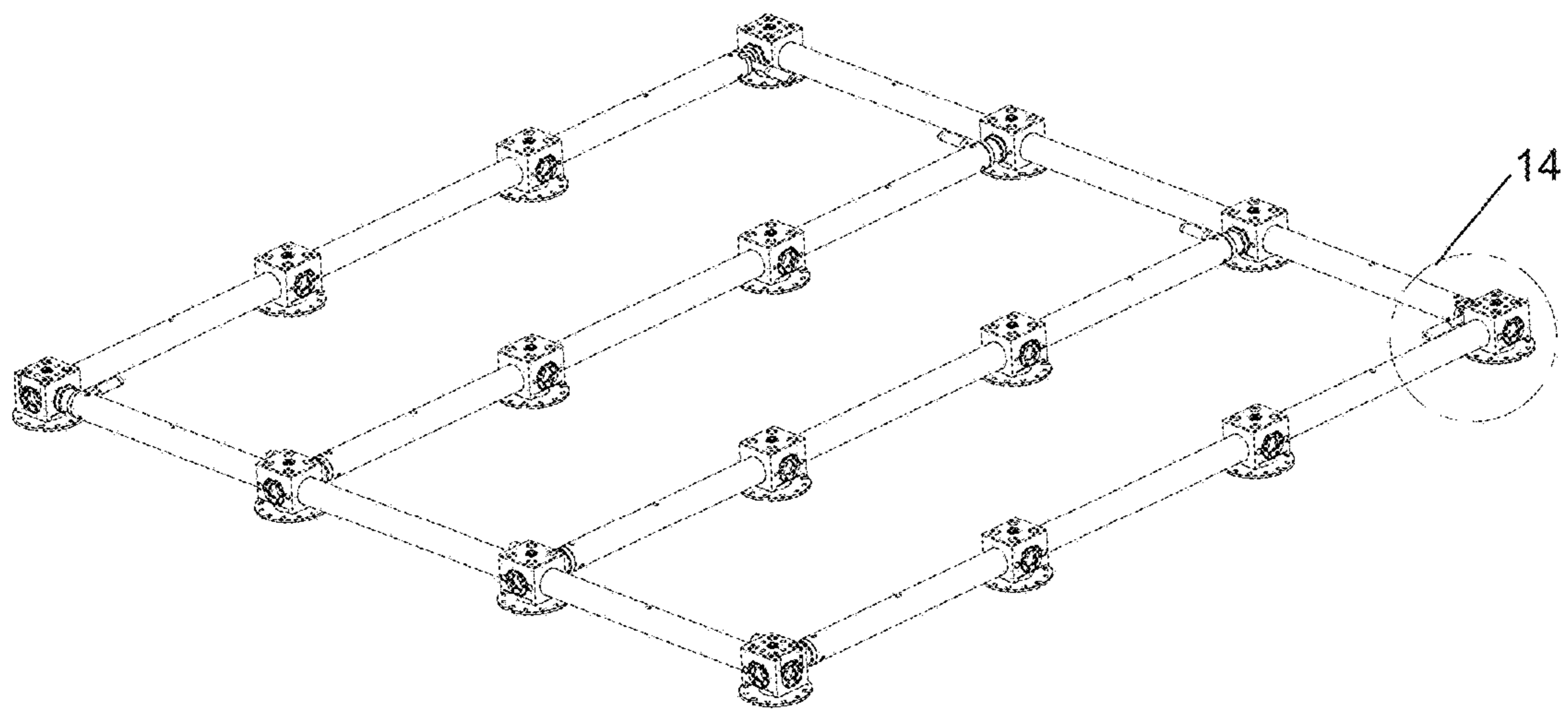


Fig. 13

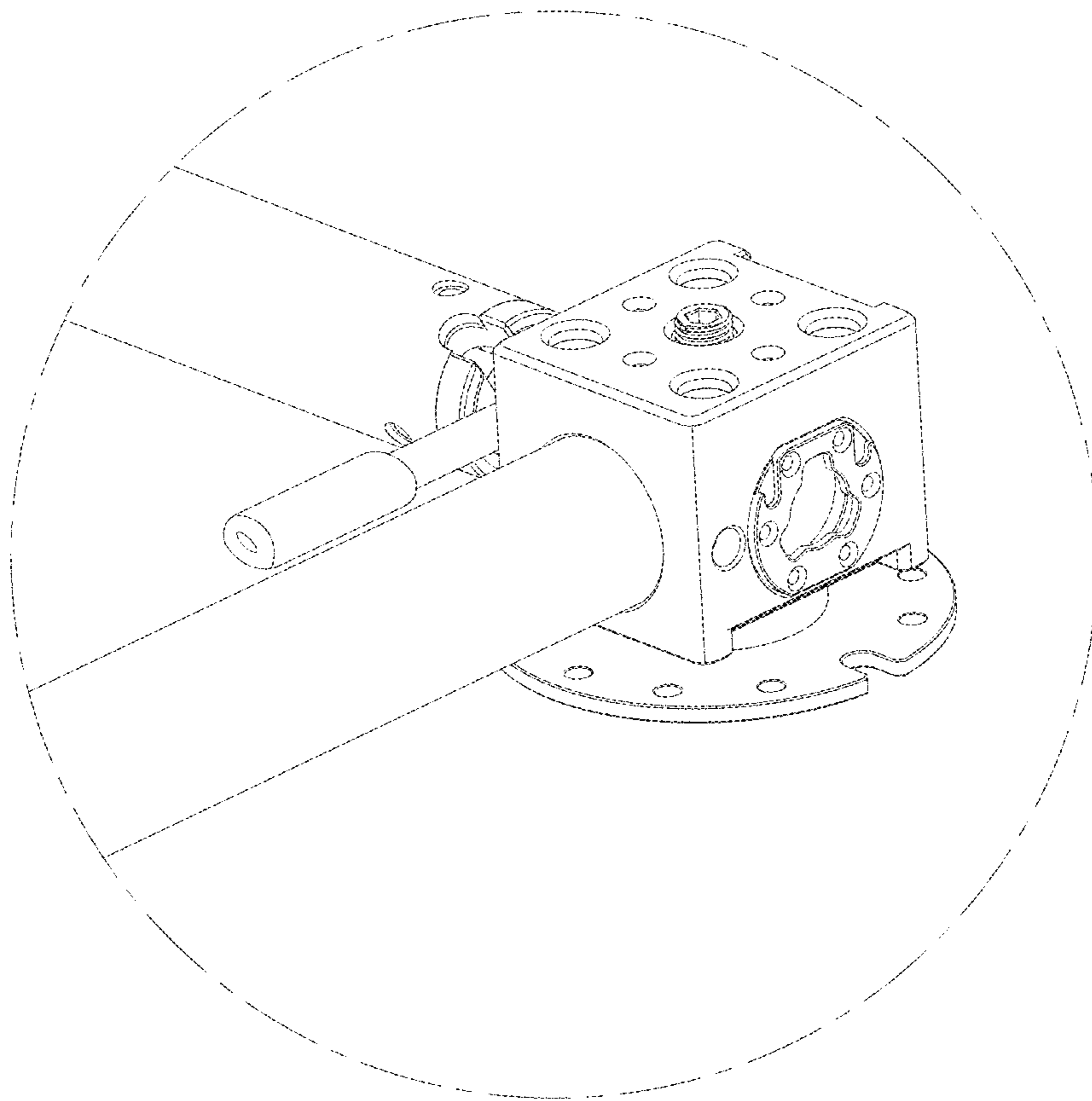


Fig. 14

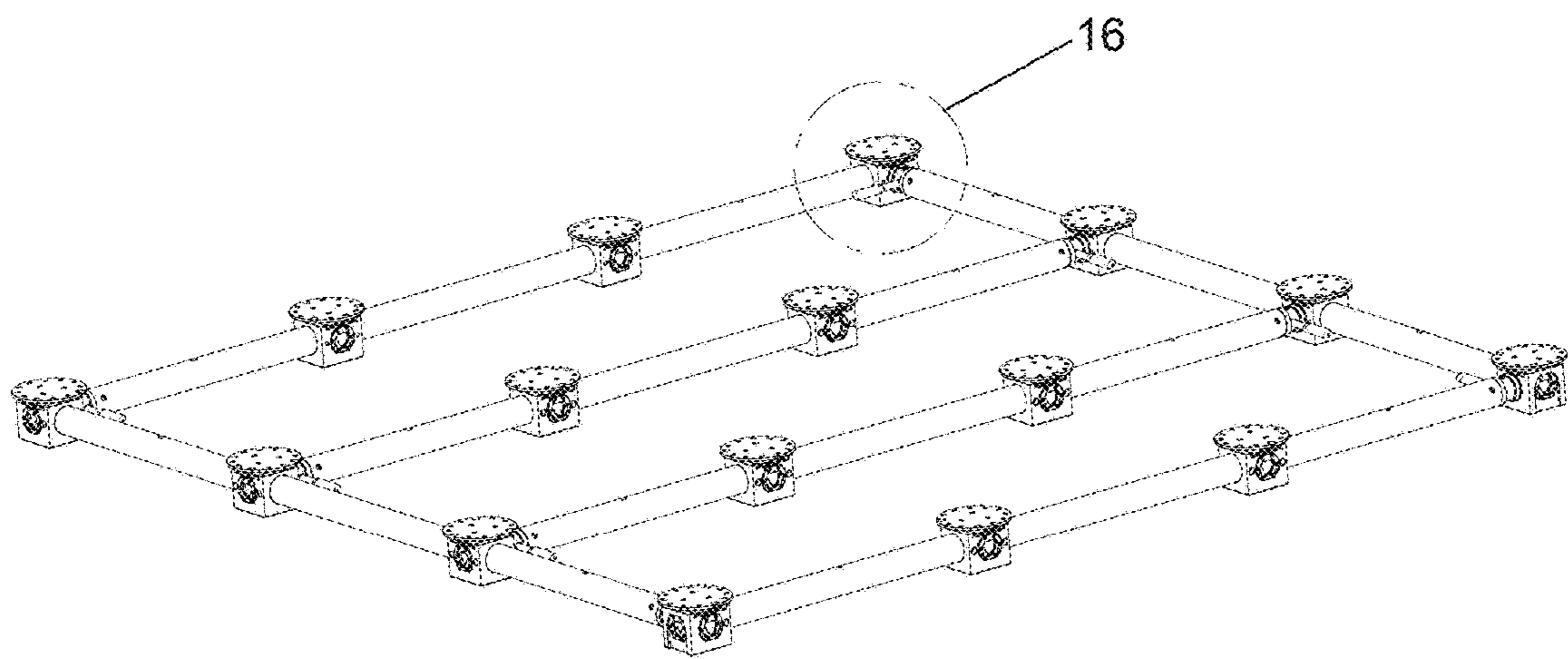


Fig. 15

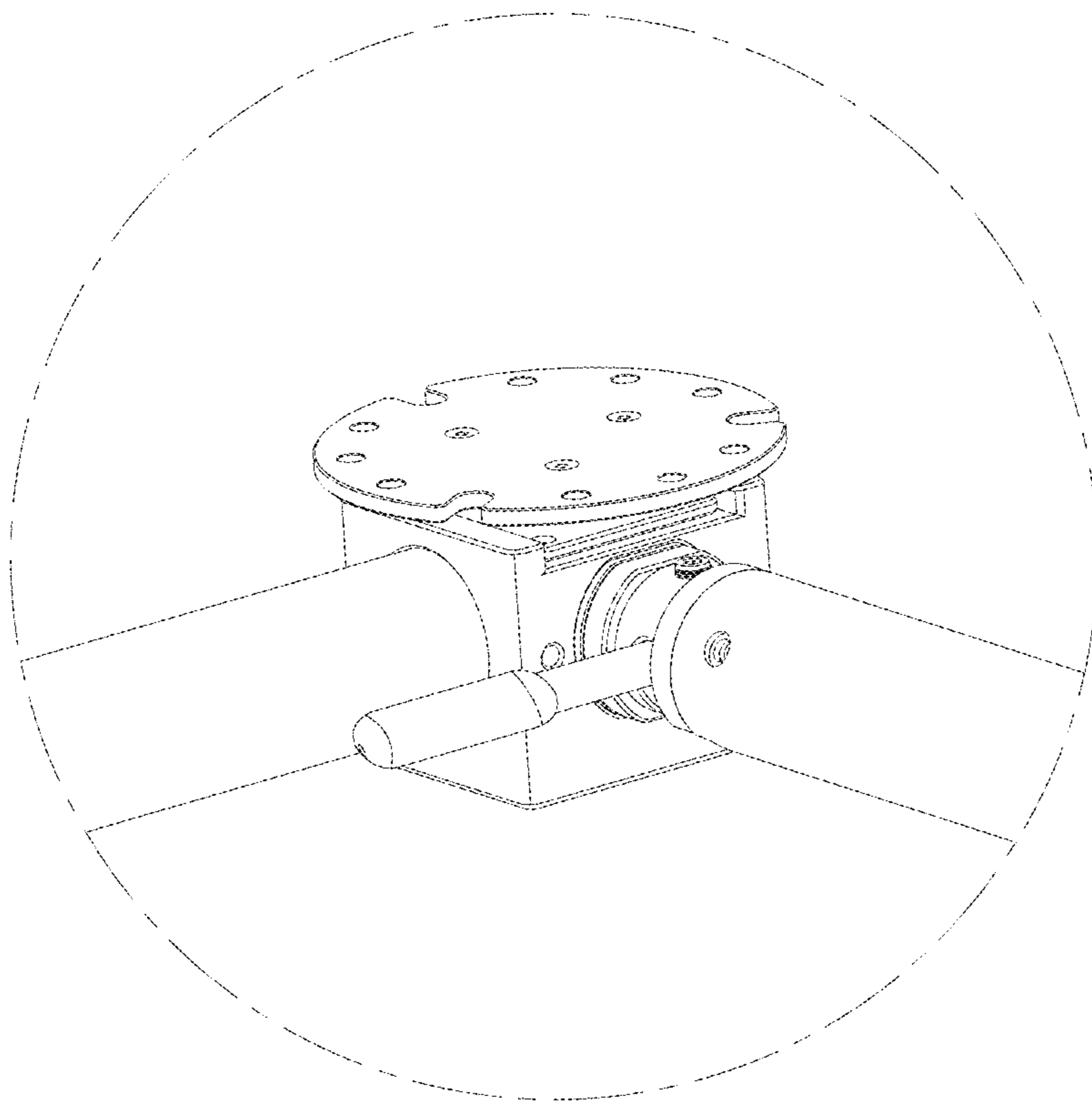


Fig. 16