



US00D805057S

(12) **United States Design Patent** (10) **Patent No.:** **US D805,057 S**  
**Cass et al.** (45) **Date of Patent:** **\*\* Dec. 12, 2017**

(54) **DEVICE HOLDER**

(71) Applicant: **Outdoor Gear Solutions, Inc.**,  
Falconer, NY (US)

(72) Inventors: **Stephen W. Cass**, Frewsburg, NY (US);  
**Steven C. Holmberg**, Kennedy, NY  
(US); **Randal P. Stuart**, Jamestown,  
NY (US)

(73) Assignee: **OUTDOOR GEAR SOLUTIONS, INC.**, Falconer, NY (US)

(\*\*) Term: **15 Years**

(21) Appl. No.: **29/553,748**

(22) Filed: **Feb. 4, 2016**

(51) **LOC (10) Cl.** ..... **14-03**

(52) **U.S. Cl.**

USPC ..... **D14/217**; D14/432

(58) **Field of Classification Search**

USPC ..... D14/217, 299, 447, 432-434, 250-253;  
D21/333, 332

CPC ..... G06F 2200/1633; G06F 1/1628; G06F  
1/1626; G06F 1/1632; G06F 8/65; G06F  
8/66; G06F 8/665; G06F 8/71; G06F  
9/4401; G06F 1/1616; G06F 1/1662;  
G06F 1/1669; G06F 1/1681; G06F 1/203;  
G06F 3/0202; G06F 3/041; G06F  
17/2247; G06F 1/1624; G06F 1/163;  
G06F 1/1635; G06F 1/1637; G06F  
1/1643; G06F 1/1654; G06F 1/1656;  
G06F 1/166; G06F 1/1664; G06F 1/1667;  
G06F 1/1675; G06F 1/1679; G06F 1/181;  
G06F 1/20; G06F 1/26; G06F 21/35;  
G06F 2200/1639; G06F 2203/04102;  
G06F 2203/04103; G06F 3/02; G06F  
3/0205; G06F 3/0208; G06F 3/0216;  
G06F 3/0233; G06F 3/0235; G06F  
3/0418; G06F 3/0425; G06F 3/043; G06F  
3/0433; G06F 3/044; G06F 3/04892

See application file for complete search history.

(56) **References Cited**

U.S. PATENT DOCUMENTS

D592,188 S \* 5/2009 Huang ..... D14/217  
D593,103 S \* 5/2009 Richter ..... D14/253  
D682,283 S \* 5/2013 Tak ..... D14/447  
D699,711 S \* 2/2014 Trotsky ..... D14/217  
D708,187 S \* 7/2014 Xiang ..... D14/447

(Continued)

*Primary Examiner* — Ian Simmons

*Assistant Examiner* — Khawaja Anwar

(74) *Attorney, Agent, or Firm* — Bryan Cave LLP

(57) **CLAIM**

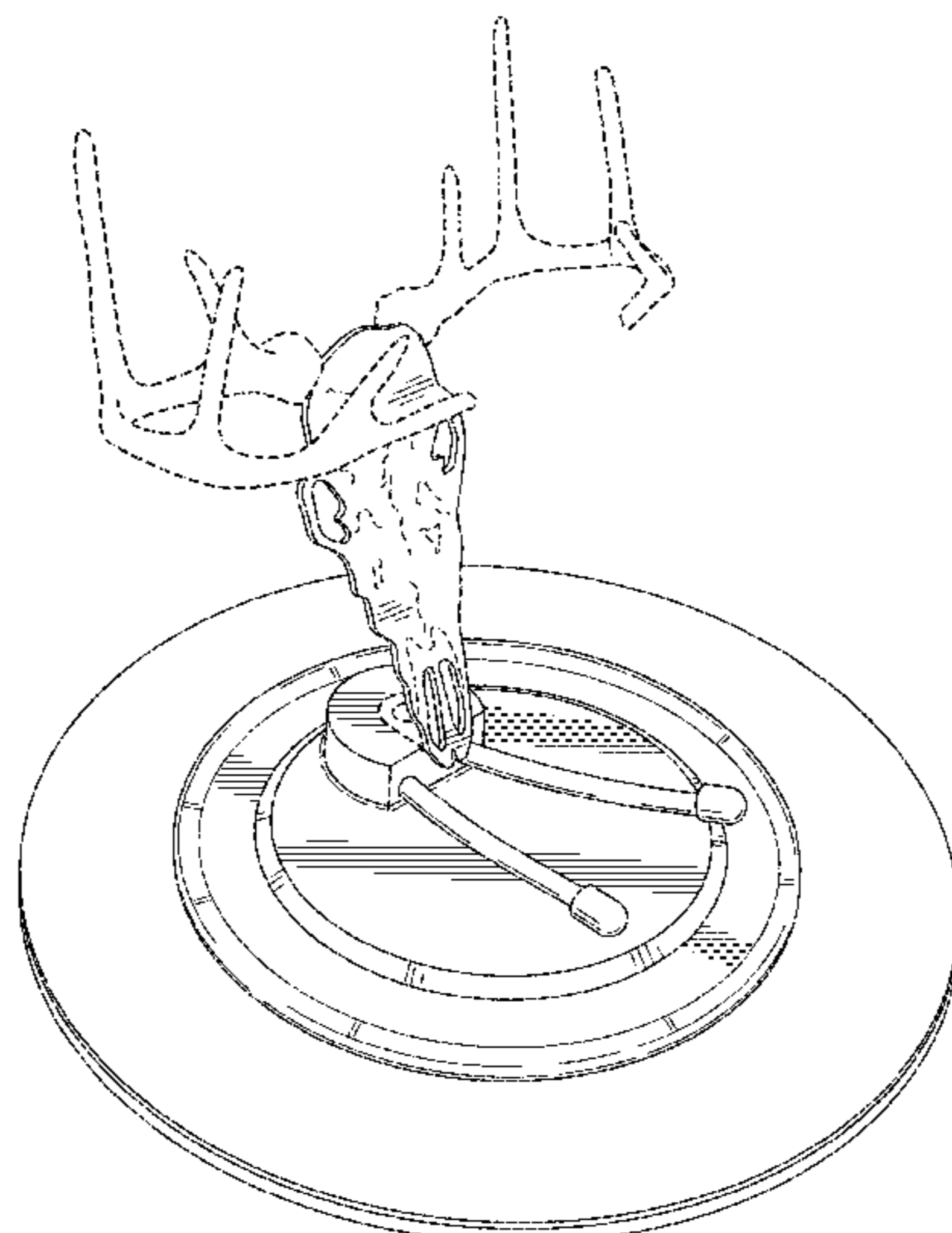
We claim the ornamental design for a device holder, as shown and described.

**DESCRIPTION**

FIG. 1 is a perspective view of a device holder showing the new design;  
FIG. 2 is a front view thereof;  
FIG. 3 is a back view thereof;  
FIG. 4 is a side view thereof;  
FIG. 5 is an opposite side view thereof;  
FIG. 6 is a top plan view thereof;  
FIG. 7 is a bottom plan view thereof;  
FIG. 8 is a front view showing the design of FIG. 1 in a first alternate environment;  
FIG. 9 is a front view showing the design of FIG. 1 in a second alternate environment;  
FIG. 10 is a front view showing the design of FIG. 1 in a third alternate environment;  
FIG. 11 is a front view showing the design of FIG. 1 in a fourth alternate environment; and,  
FIG. 12 is a front view showing the design of FIG. 1 in an fifth alternate environment.

The broken lines appearing in the drawings represent unclaimed environment and form no part of the claimed design.

**1 Claim, 12 Drawing Sheets**



(56)

**References Cited**

U.S. PATENT DOCUMENTS

D709,066 S \* 7/2014 Byun ..... D14/253  
D756,367 S \* 5/2016 Kim ..... D14/447

\* cited by examiner

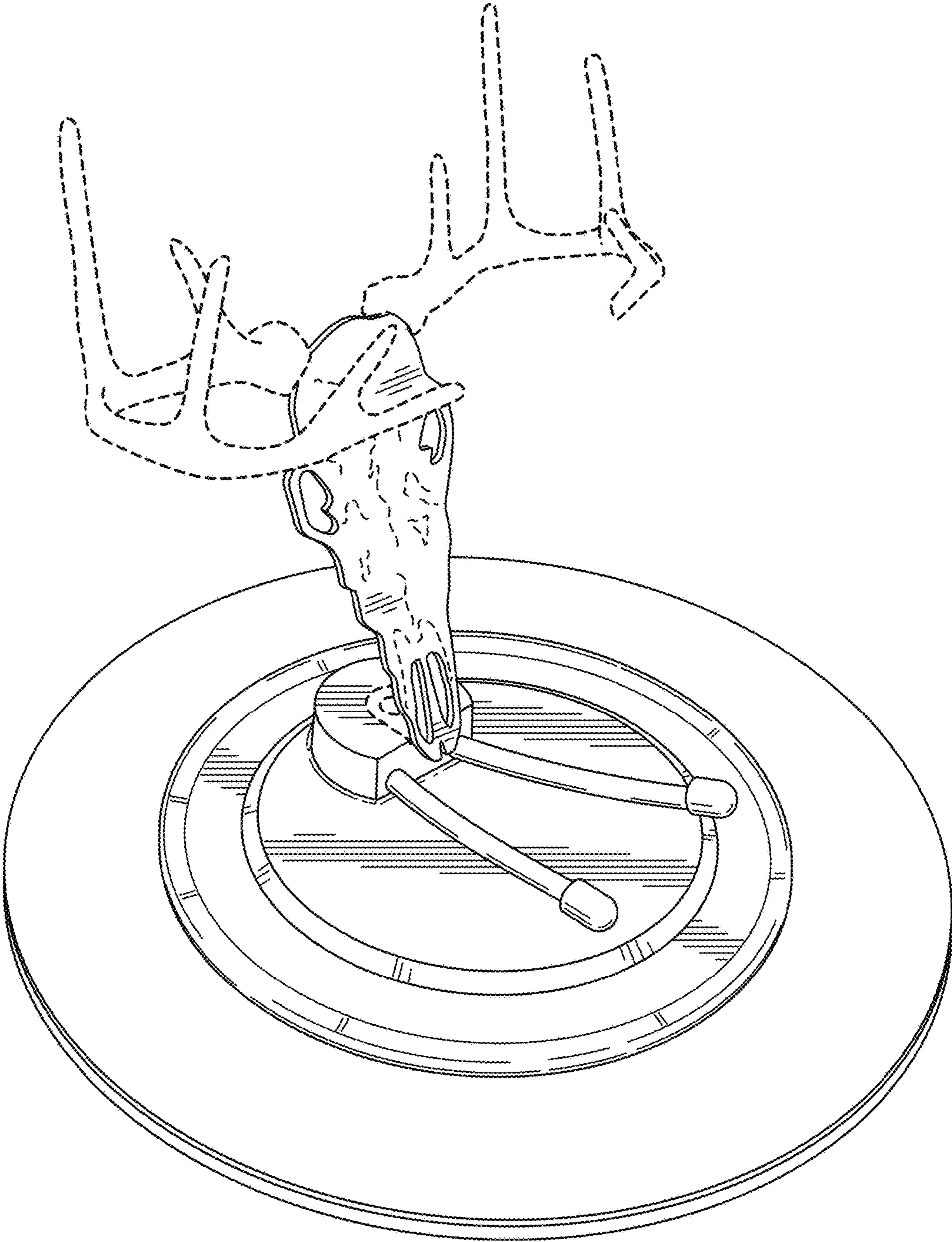


FIG. 1

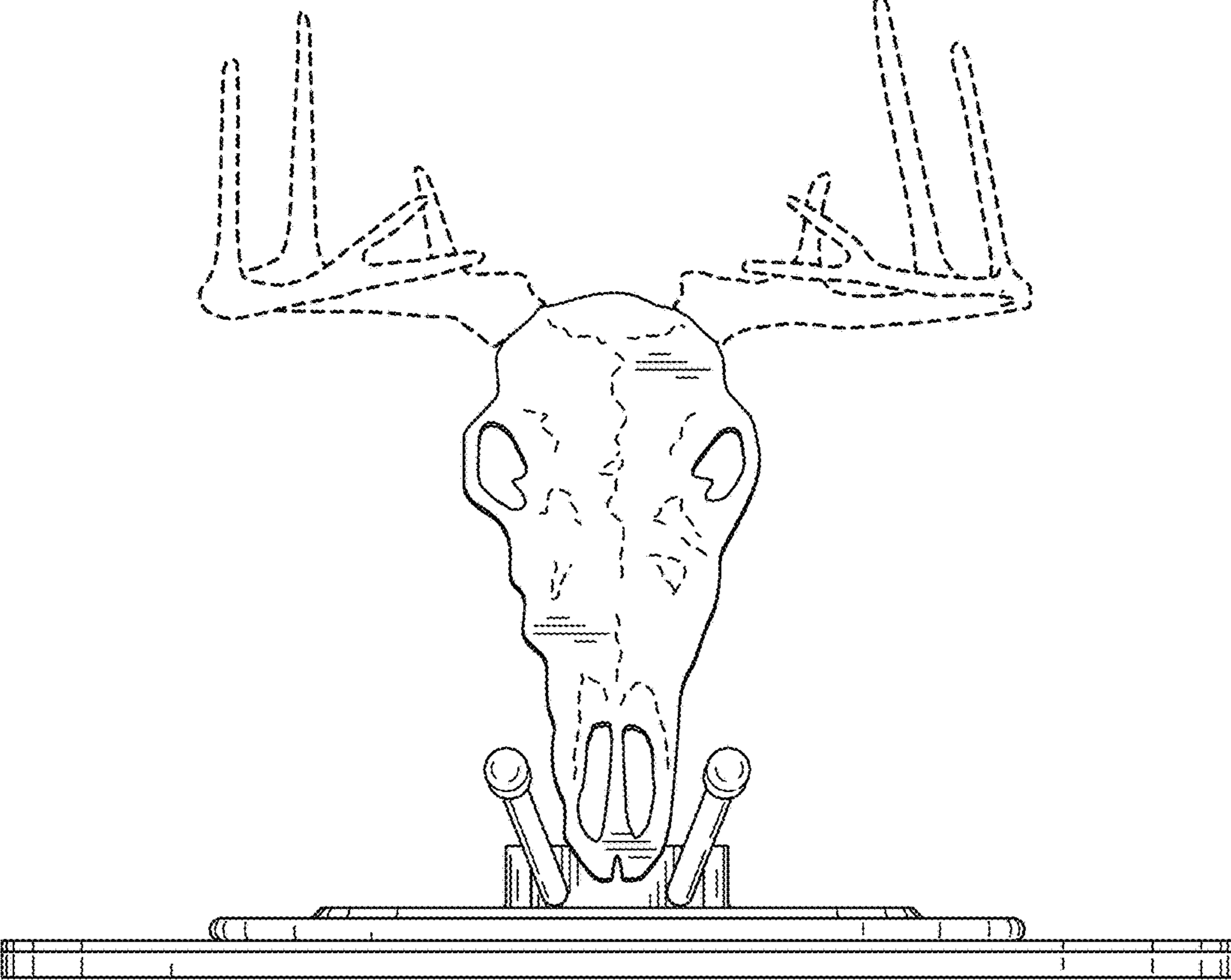


FIG. 2

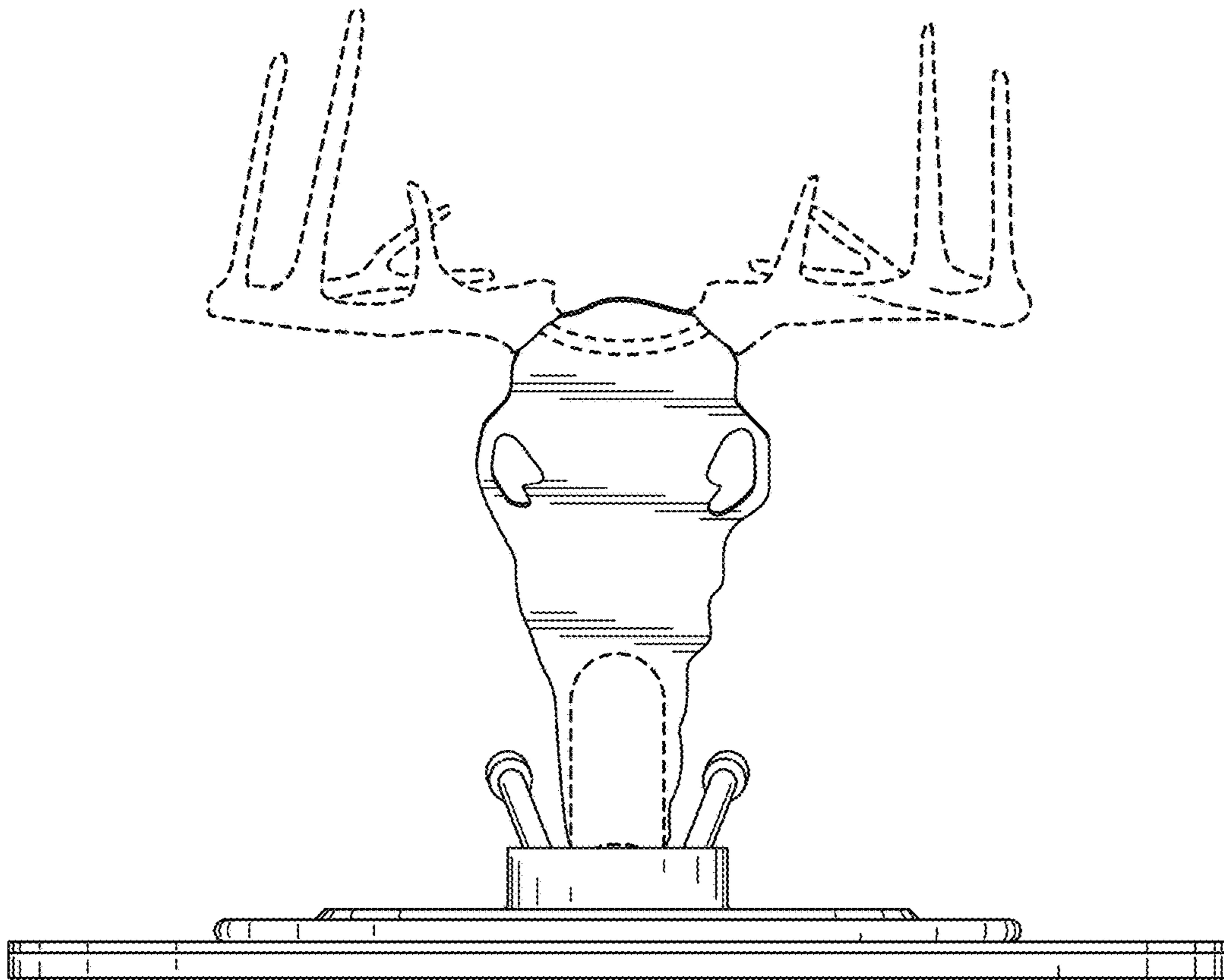


FIG. 3



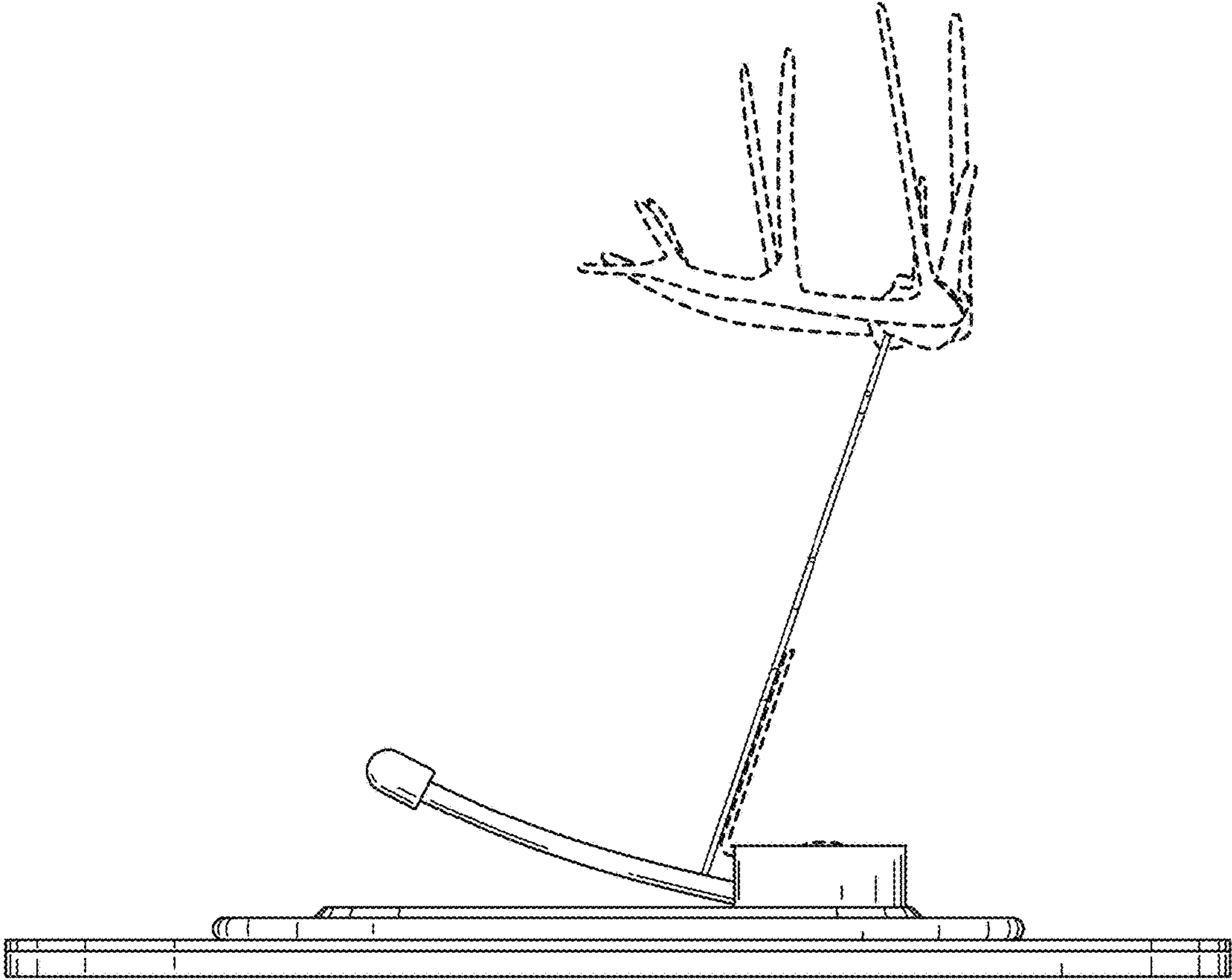


FIG. 4

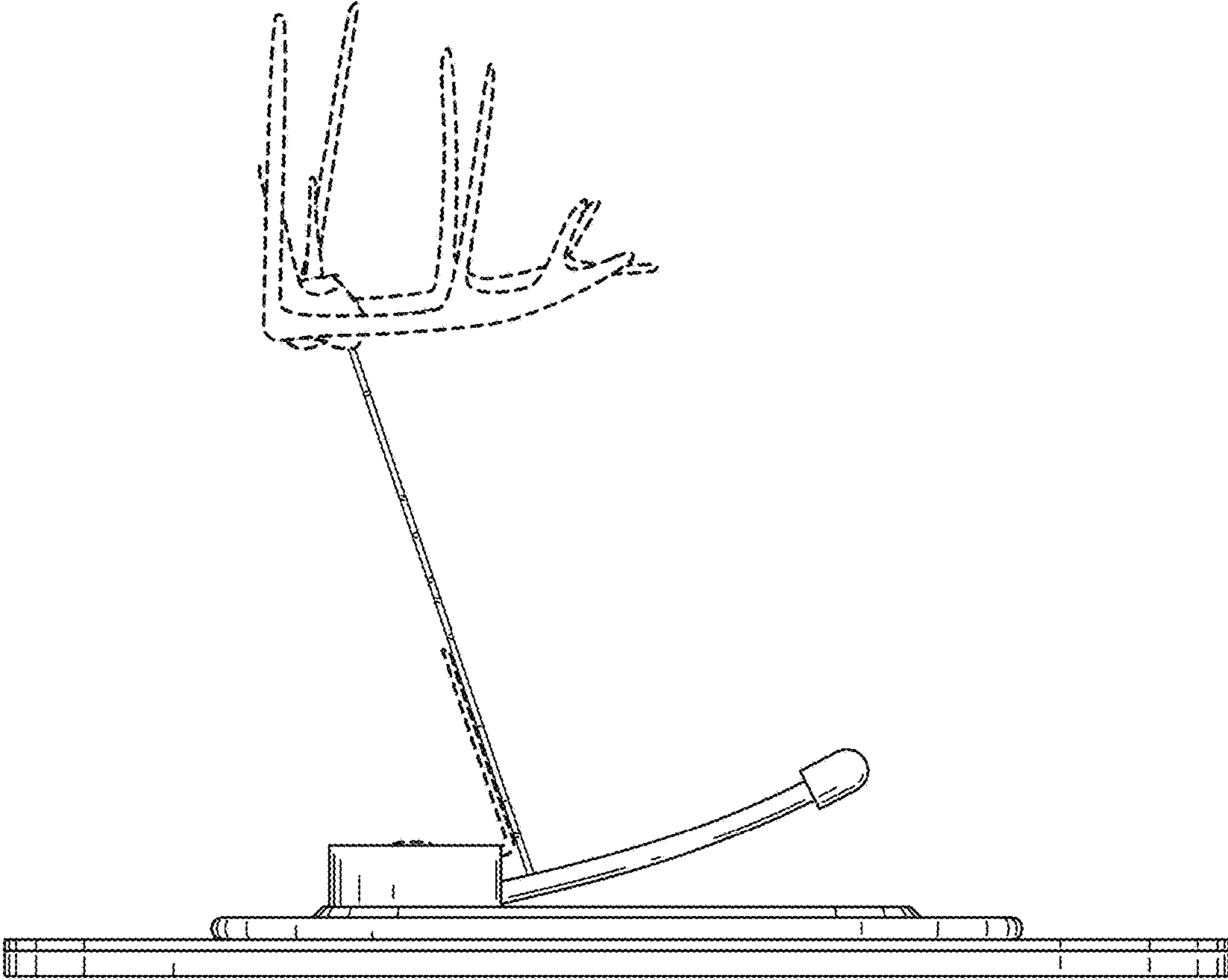


FIG. 5

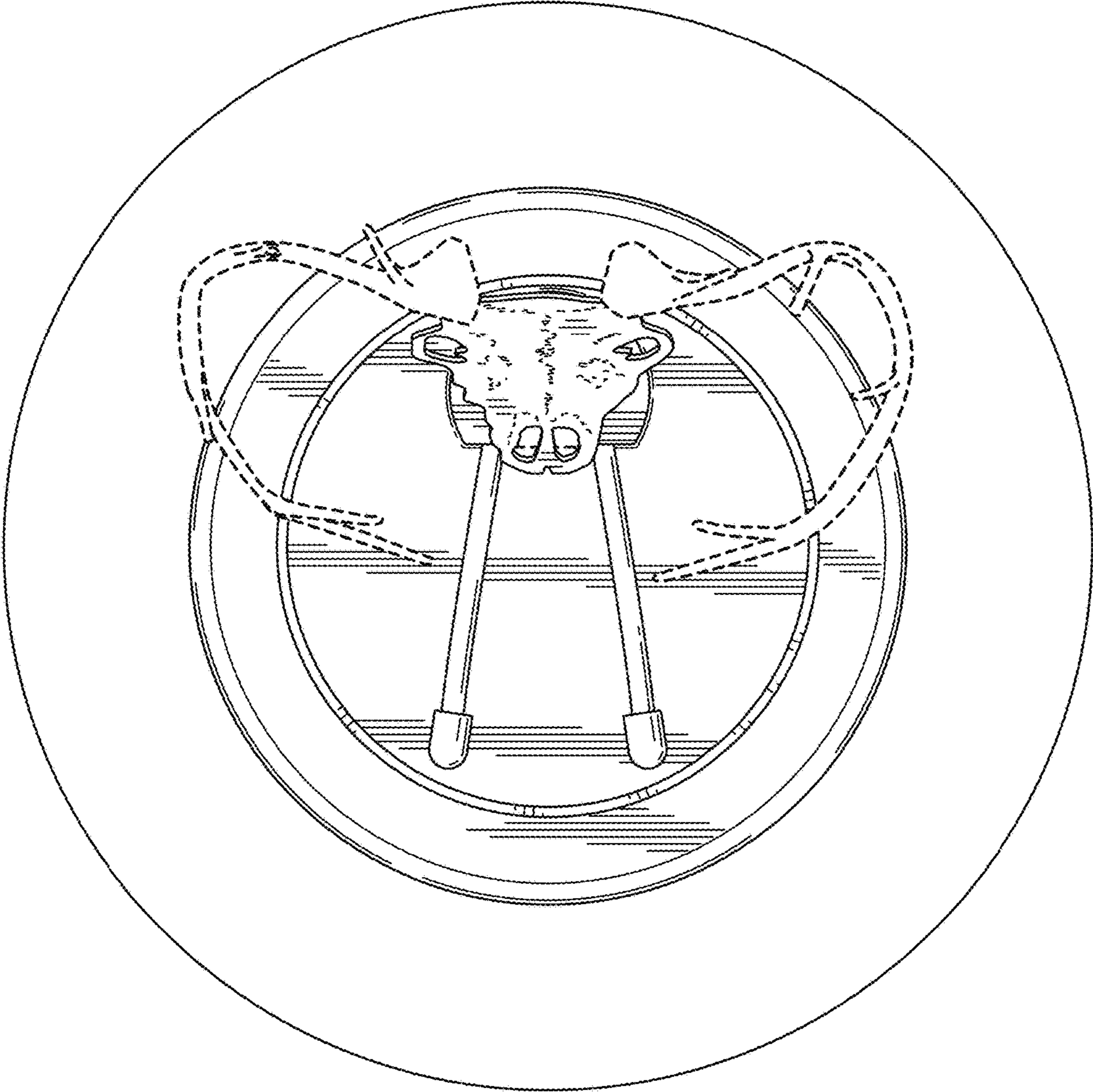


FIG. 6



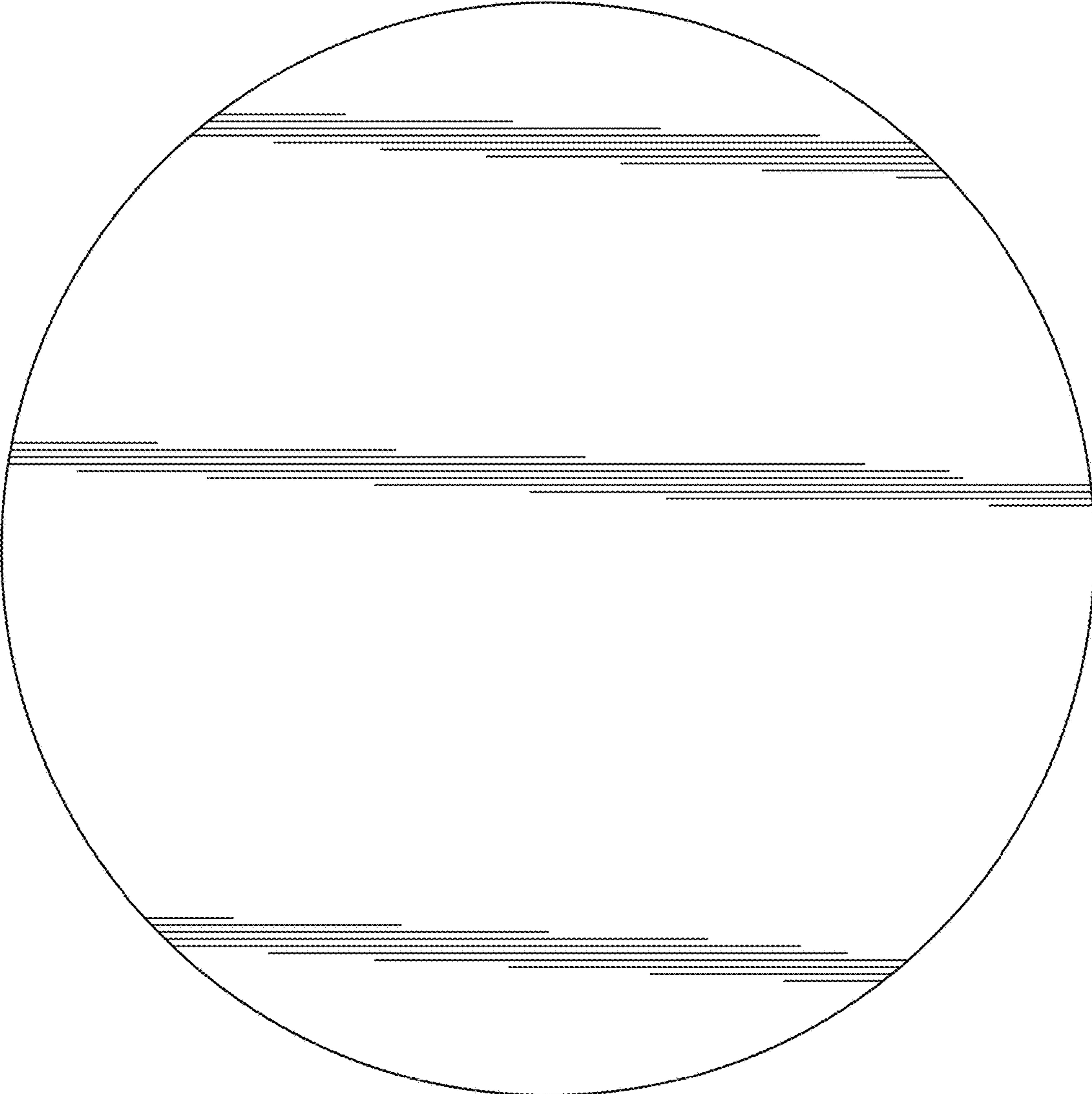


FIG. 7

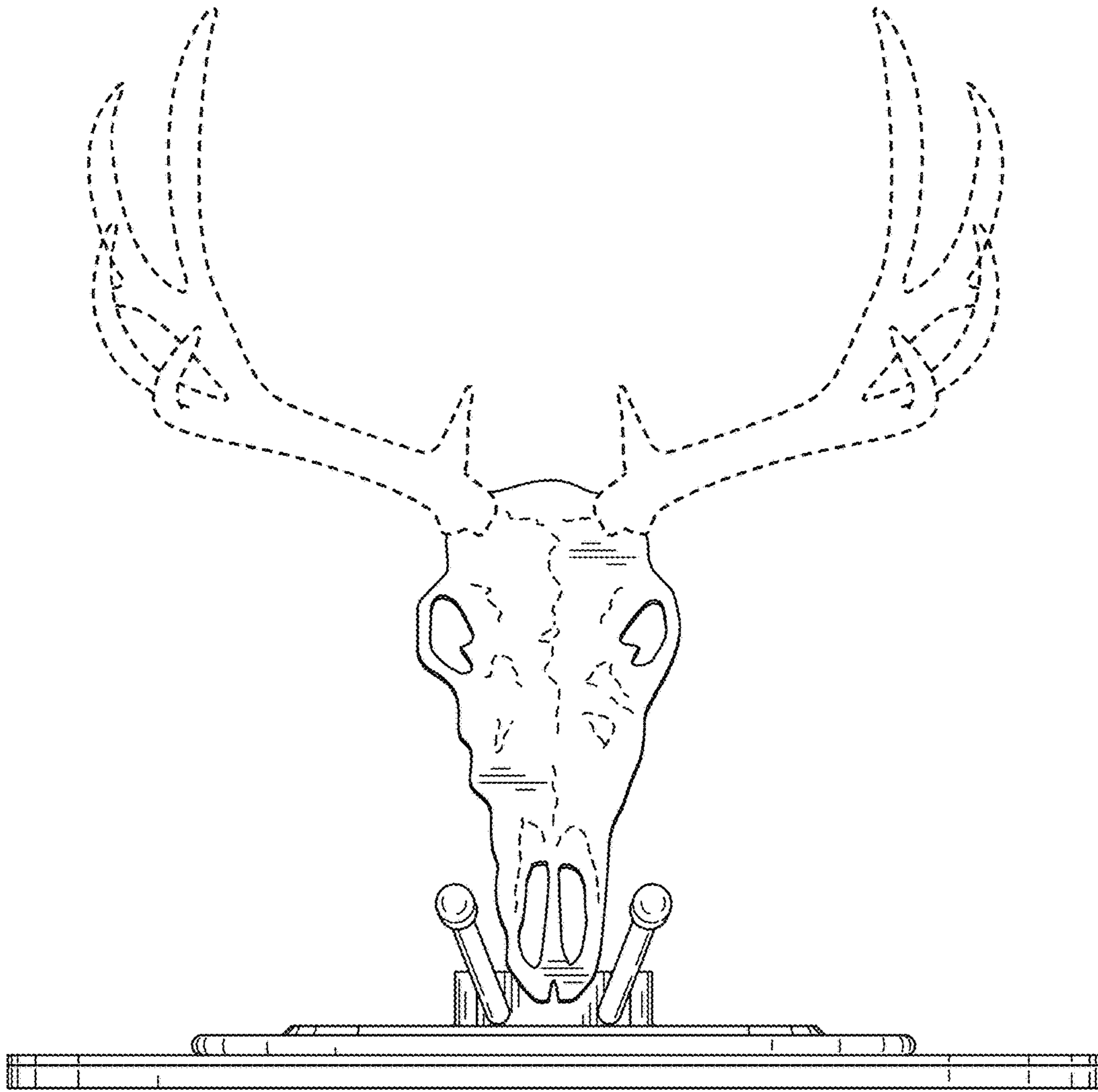


FIG. 8

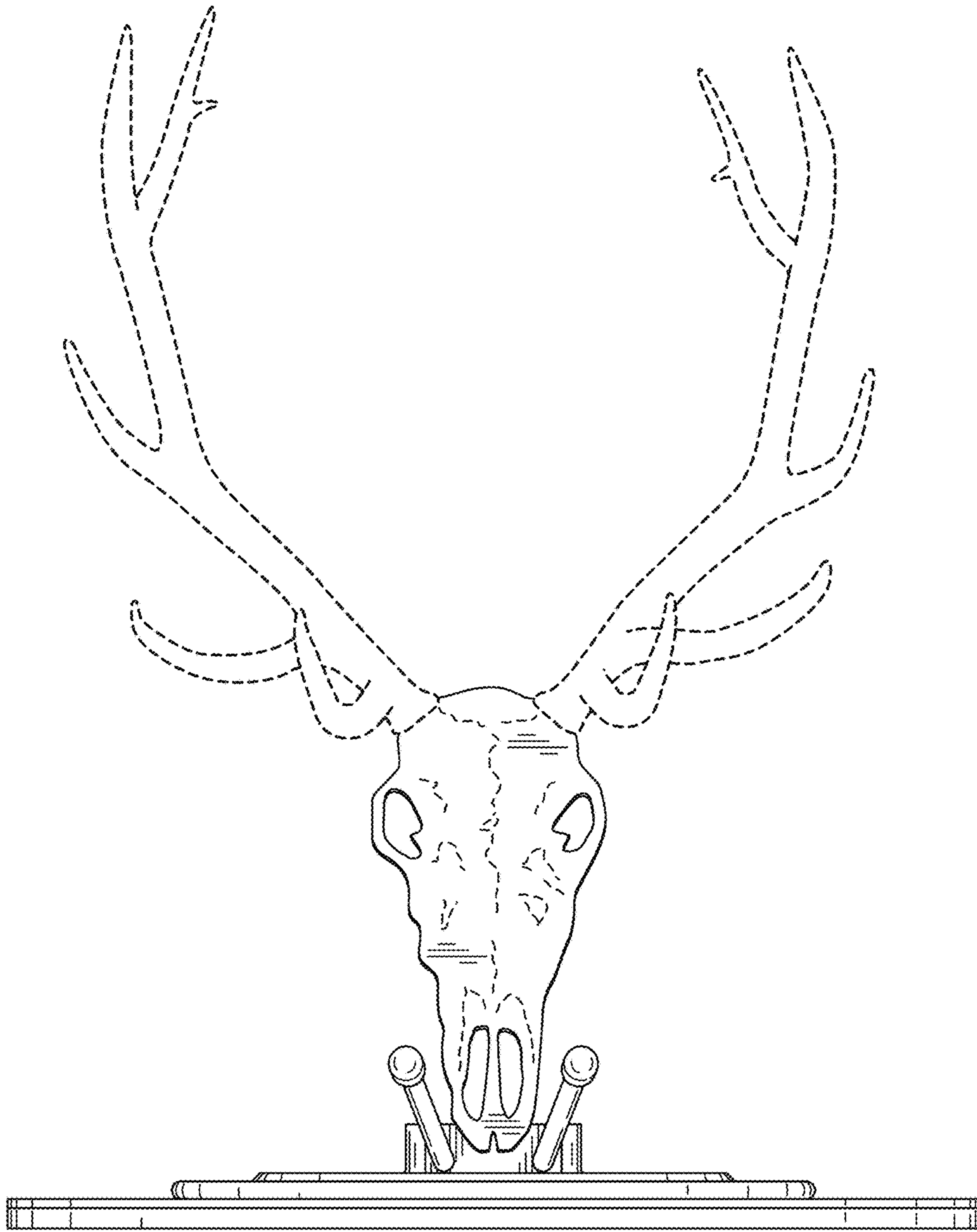


FIG. 9

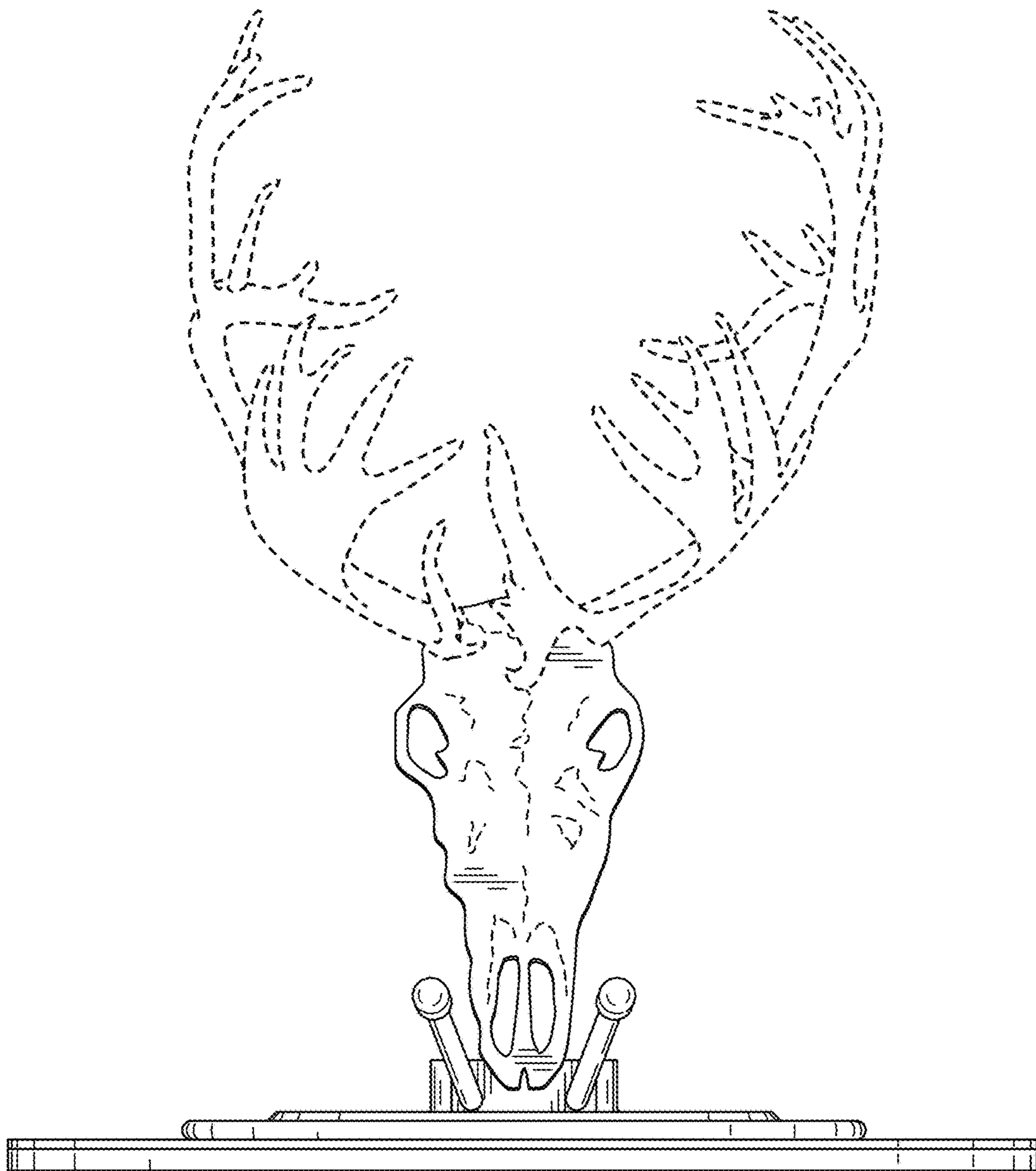


FIG. 10

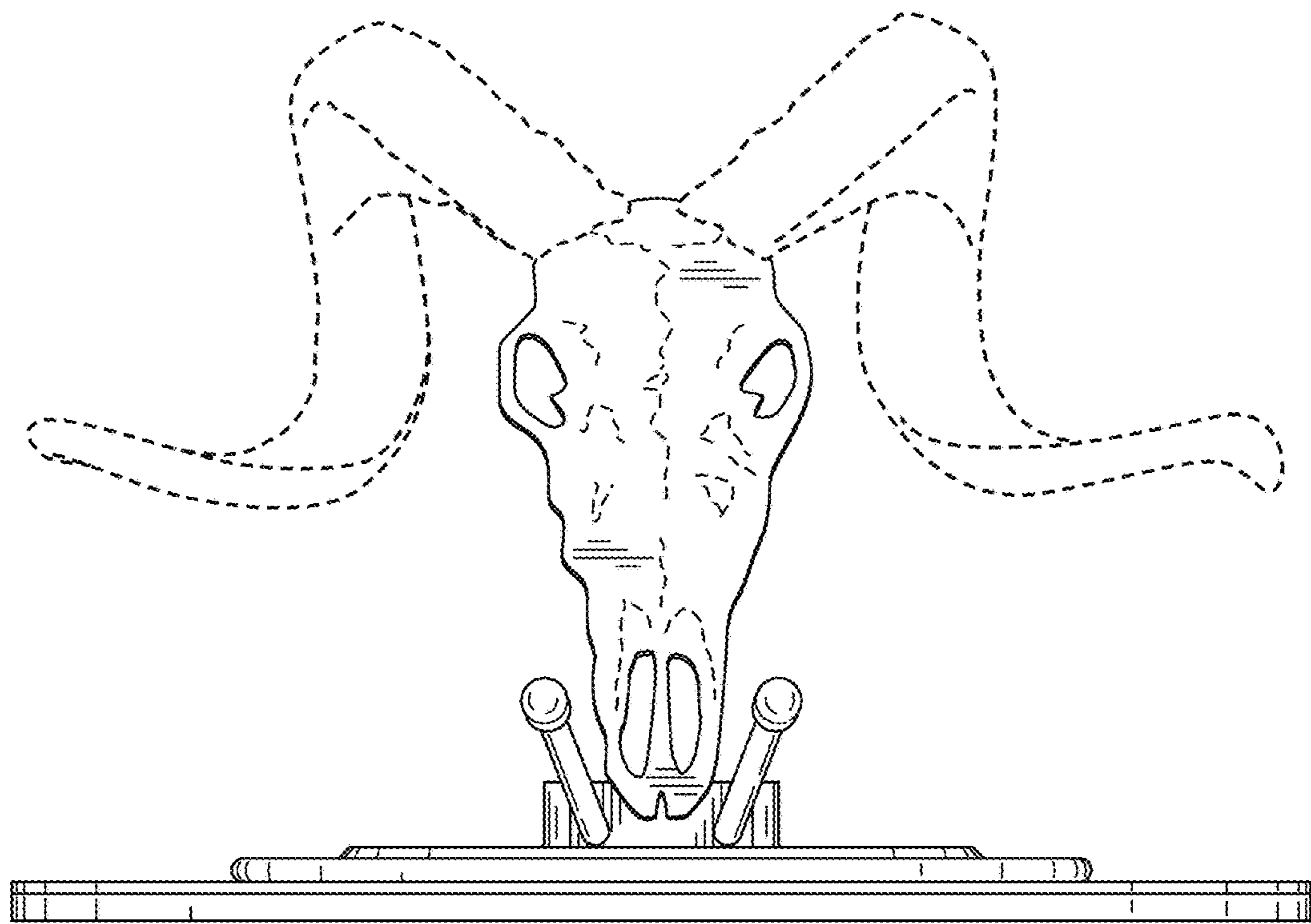


FIG. 11

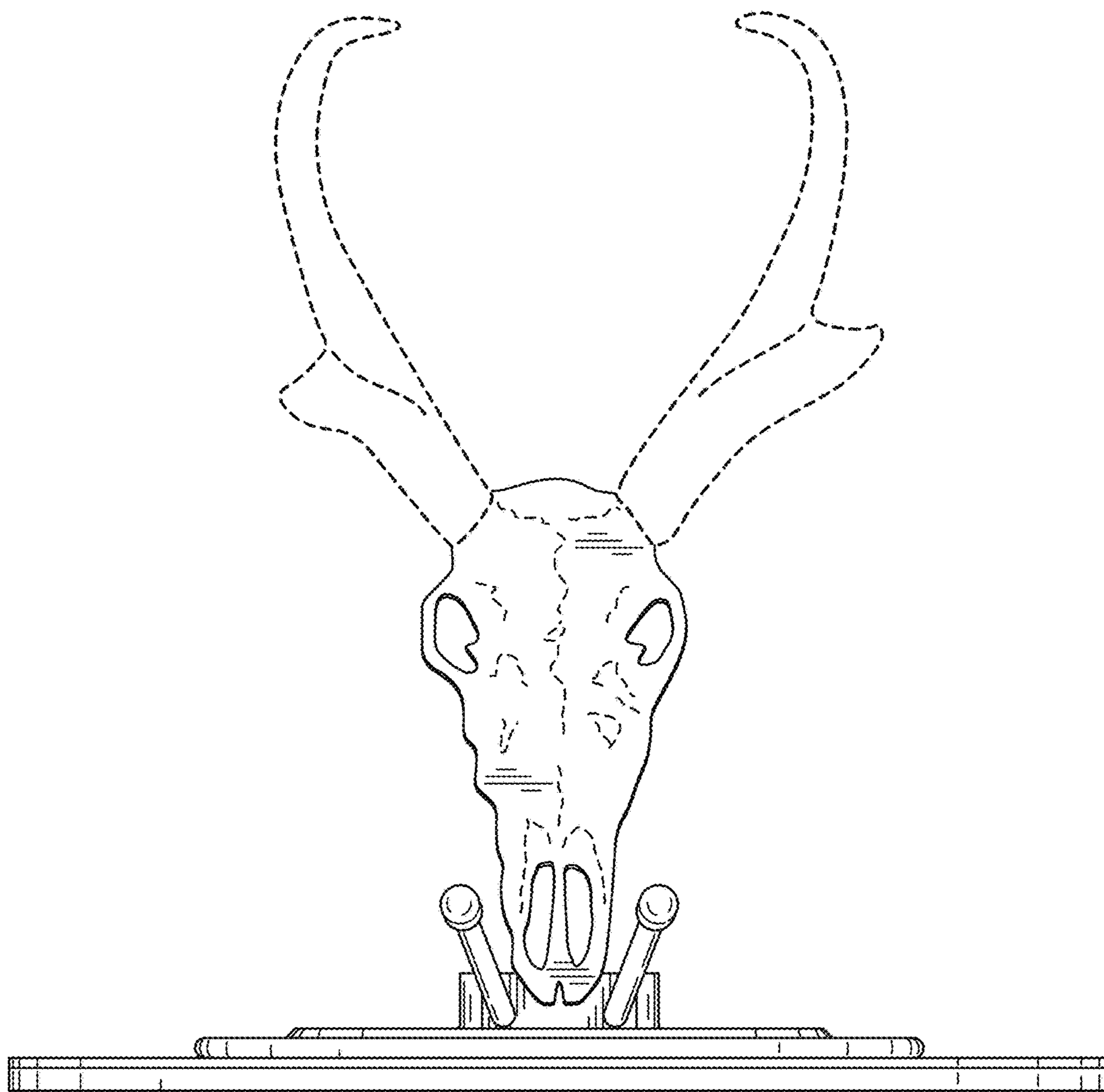


FIG. 12