



US00D805055S

(12) **United States Design Patent**
Kelly et al.

(10) **Patent No.:** **US D805,055 S**
(45) **Date of Patent:** **** Dec. 12, 2017**

(54) **HEADPHONE**
(71) Applicant: **Skullcandy, Inc.**, Park City, UT (US)
(72) Inventors: **Peter M. Kelly**, Park City, UT (US);
Randall J. Hull, Park City, UT (US);
David G. Vogt, Jr., Salt Lake City, UT (US)
(73) Assignee: **Skullcandy, Inc.**, Park City, UT (US)

D223,256 S 2/1973 Thomson
D246,259 S 11/1977 Nishimura et al.
4,133,053 A 1/1979 Lundin
4,597,469 A * 7/1986 Nagashima H04R 5/0335
181/129
D292,205 S * 10/1987 Kikutani 381/378
D300,133 S * 3/1989 Daidoh D14/205
D313,092 S 12/1990 Nilsson
D358,391 S * 5/1995 Isono D14/205
D375,825 S 11/1996 Whidden

(Continued)

(**) Term: **15 Years**

FOREIGN PATENT DOCUMENTS

(21) Appl. No.: **29/566,283**

CA 2515558 A1 2/2007
CA 2697029 A1 2/2007

(22) Filed: **May 27, 2016**

(Continued)

Related U.S. Application Data

Primary Examiner — Paula Allen Greene
(74) *Attorney, Agent, or Firm* — TraskBritt

(62) Division of application No. 29/513,680, filed on Jan. 5, 2015, now Pat. No. Des. 757,680.

(51) **LOC (10) Cl.** **14-01**

(52) **U.S. Cl.**
USPC **D14/205**

(58) **Field of Classification Search**
USPC D14/205; D29/112; 2/209; 379/430,
379/431; 381/380, 381, 370, 371, 378,
381/345, 375, 374, 182, 385, 328, 308,
381/74; 455/90.3, 575.1, 569.1
CPC .. H04R 1/1066; H04R 1/1016; H04R 1/1058;
H04R 1/105; H04R 1/28; H04R 1/1091;
H04R 1/10; H04R 25/00
See application file for complete search history.

(57) **CLAIM**

The ornamental design for a headphone, as shown and described.

DESCRIPTION

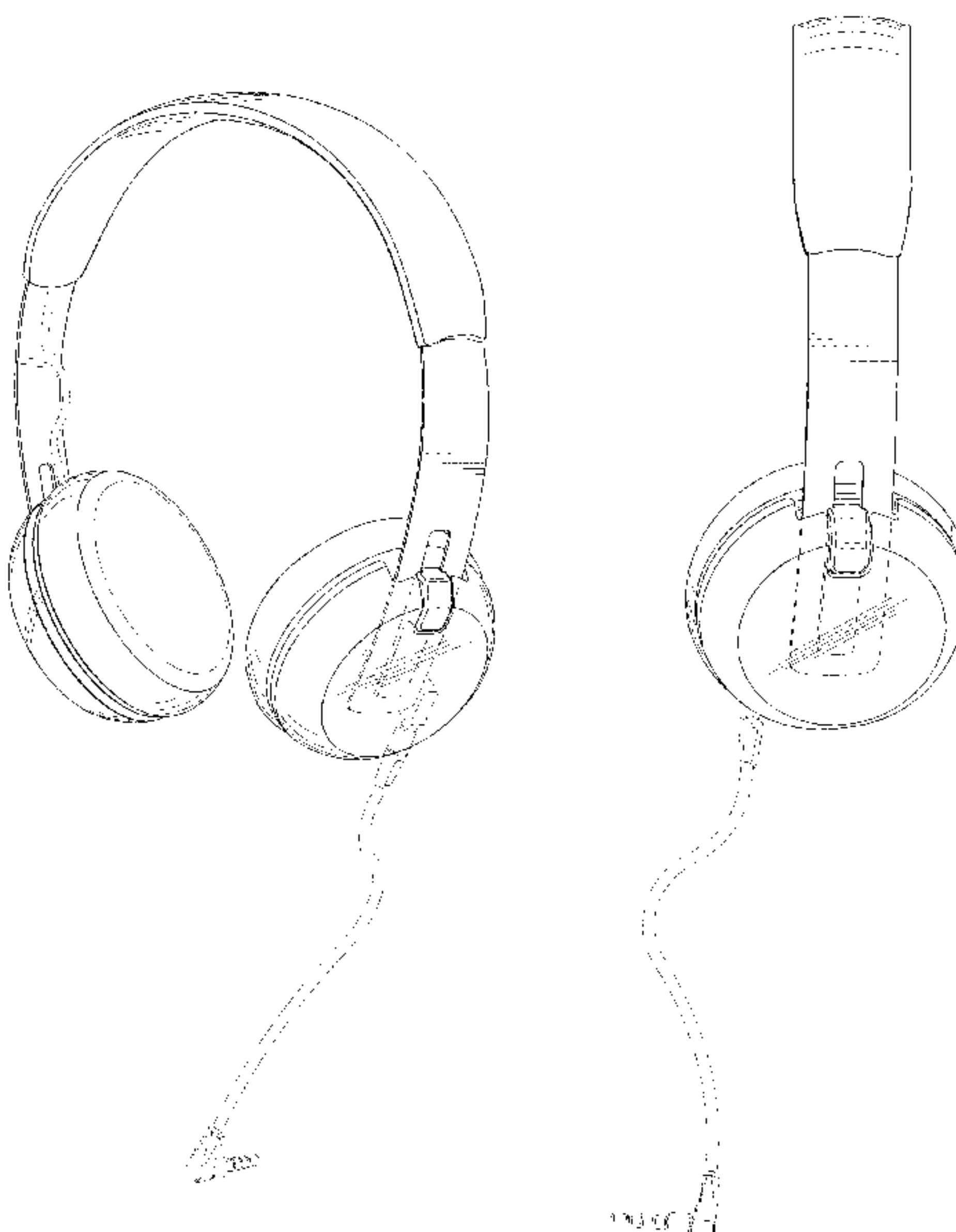
FIG. 1 is a perspective view of an embodiment of a headphone;
FIG. 2 is a front side view of the headphone shown in FIG. 1;
FIG. 3 is a back side view of the headphone shown in FIG. 1;
FIG. 4 is a right view of the headphone shown in FIG. 1;
FIG. 5 is a left view of the headphone shown in FIG. 1;
FIG. 6 is a top view of the headphone shown in FIG. 1; and,
FIG. 7 is a bottom view of the headphone shown in FIG. 1.
The broken lines in FIGS. 1 through 7 are for environmental purposes only and do not form any part of the claimed design.

(56) **References Cited**

U.S. PATENT DOCUMENTS

2,437,049 A * 3/1948 Salisbury A61F 11/14
128/866
3,562,816 A 2/1971 Hutchinson
3,618,540 A 11/1971 Wenger et al.

1 Claim, 6 Drawing Sheets



(56)

References Cited

U.S. PATENT DOCUMENTS

6,016,574 A * 1/2000 Chen A45D 8/36
128/866
D484,485 S * 12/2003 Matsuoka D14/205
6,654,966 B2 * 12/2003 Rolla H04R 1/1066
2/209
6,678,897 B2 1/2004 Lindgren
6,724,906 B2 4/2004 Naksen et al.
7,187,948 B2 3/2007 Alden
D563,382 S 3/2008 Wikel
D573,581 S * 7/2008 Gondo D14/205
D593,995 S * 6/2009 Shimizu D14/205
7,735,154 B2 * 6/2010 Gellis A61F 11/14
2/209
D623,627 S * 9/2010 Alden D14/205
D624,057 S 9/2010 Kelly et al.
D625,705 S * 10/2010 Ohori D14/205
D634,732 S * 3/2011 Kondo D14/205
D635,958 S * 4/2011 Ando D14/205
D641,003 S 7/2011 Alden
D641,725 S * 7/2011 Chong D14/205
D650,356 S 12/2011 Alden et al.
8,098,872 B2 * 1/2012 Chang H04R 1/1075
381/370
D656,129 S 3/2012 Kelly et al.
D658,158 S * 4/2012 Suzuki D14/205
D662,080 S * 6/2012 Carr D14/205
D663,717 S * 7/2012 Hutchieson D14/206
D665,776 S 8/2012 Alden et al.
D665,777 S 8/2012 Alden et al.
D673,136 S 12/2012 Kelly et al.
D673,140 S 12/2012 Kelly et al.
D674,372 S 1/2013 Kelly et al.
D674,376 S 1/2013 Kelly et al.
D676,023 S 2/2013 Kelly et al.
D676,024 S 2/2013 Kelly et al.
D677,241 S 3/2013 Kelly et al.
D683,329 S * 5/2013 Hagelin D14/205
D683,717 S 6/2013 Kelly et al.
D685,759 S 7/2013 Kelly et al.
D685,767 S 7/2013 Kelly et al.
D689,463 S 9/2013 Hardi et al.
D689,464 S 9/2013 Bonahoom et al.
D691,582 S 10/2013 Nguyen et al.
D693,793 S 11/2013 Kelly et al.
D695,263 S 12/2013 Mogili
D696,226 S 12/2013 Brunner et al.
D699,216 S 2/2014 Bonahoom et al.

D701,193 S 3/2014 Kelly et al.
D701,196 S 3/2014 Kelly et al.
D701,197 S 3/2014 Kelly et al.
D707,200 S 6/2014 Yang
8,755,555 B2 6/2014 Dougherty et al.
D708,163 S * 7/2014 Ishikura D14/205
D713,374 S 9/2014 Farrage
D715,251 S 10/2014 Sparks et al.
D722,998 S 2/2015 Sancho et al.
D723,508 S 3/2015 Garland et al.
D724,561 S * 3/2015 Ko D14/205
D732,001 S 6/2015 Licht et al.
D740,254 S 10/2015 Huang et al.
D757,680 S * 5/2016 Kelly D14/205
D763,226 S * 8/2016 Petersen D14/205
D784,957 S * 4/2017 Hsieh D14/205
D787,470 S * 5/2017 Kelly D14/205
2001/0017925 A1 8/2001 Ceravolo
2005/0220318 A1 * 10/2005 Han H04R 1/1008
381/371
2011/0164776 A1 7/2011 Kelly et al.
2011/0235819 A1 9/2011 Alden
2012/0128172 A1 5/2012 Alden
2012/0275615 A1 11/2012 Kelly et al.
2013/0087404 A1 * 4/2013 Peskar B32B 5/20
181/129
2013/0118944 A1 5/2013 Niiro et al.
2013/0130540 A1 5/2013 Oman et al.
2013/0177165 A1 7/2013 Oishi
2013/0177195 A1 7/2013 Sze et al.
2013/0185905 A1 7/2013 Stiff et al.
2013/0208909 A1 8/2013 Mulder
2014/0056459 A1 2/2014 Oishi et al.
2014/0177884 A1 * 6/2014 Minarik H04R 1/1066
381/309
2014/0270228 A1 9/2014 Oishi et al.
2014/0270230 A1 9/2014 Oishi et al.
2015/0195640 A1 * 7/2015 Essabar H04R 1/1033
381/378

FOREIGN PATENT DOCUMENTS

EP 1760896 9/2010
EP 2262117 A1 12/2010
WO 2010068495 A2 6/2010
WO 2010124190 A2 10/2010
WO 2011085096 A1 7/2011
WO 2012024656 A2 2/2012

* cited by examiner

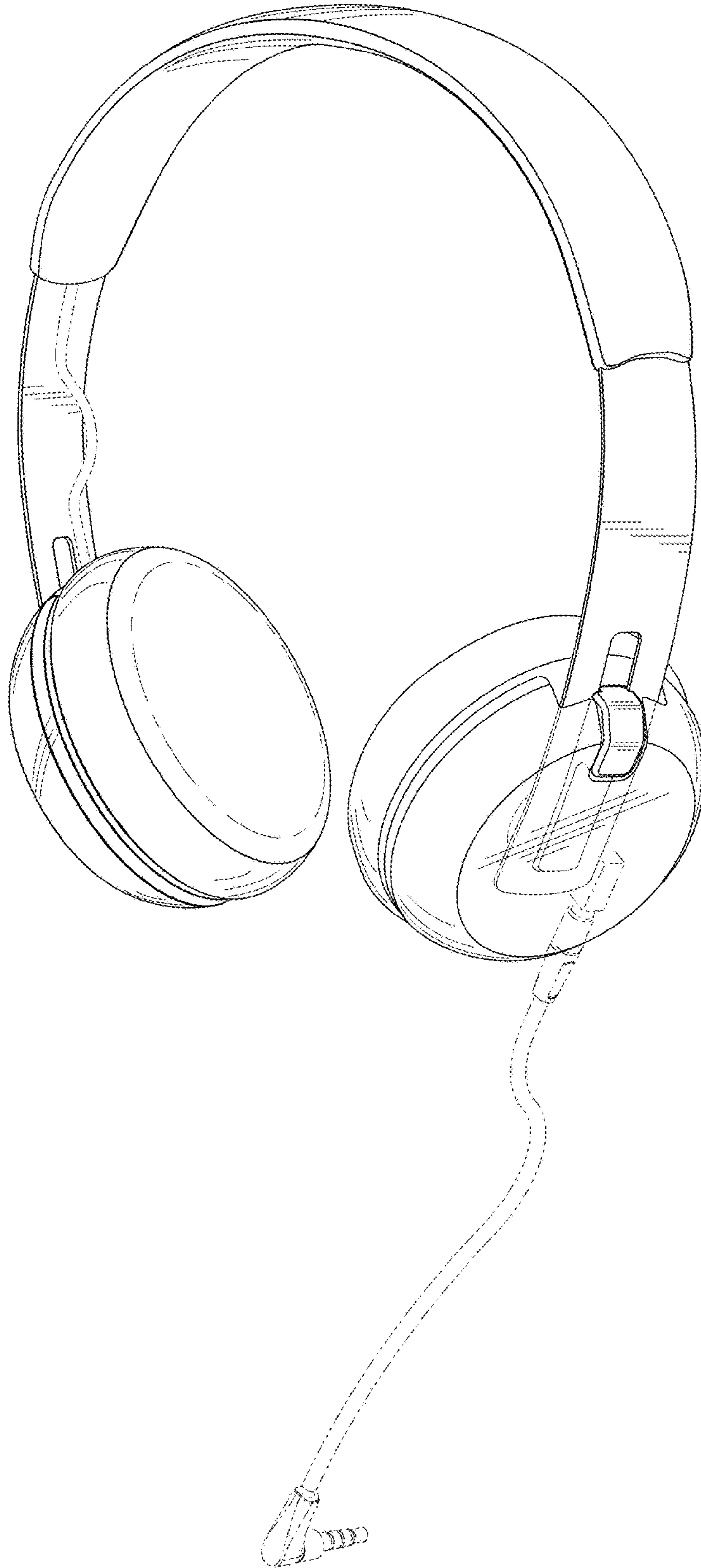


FIG. 1

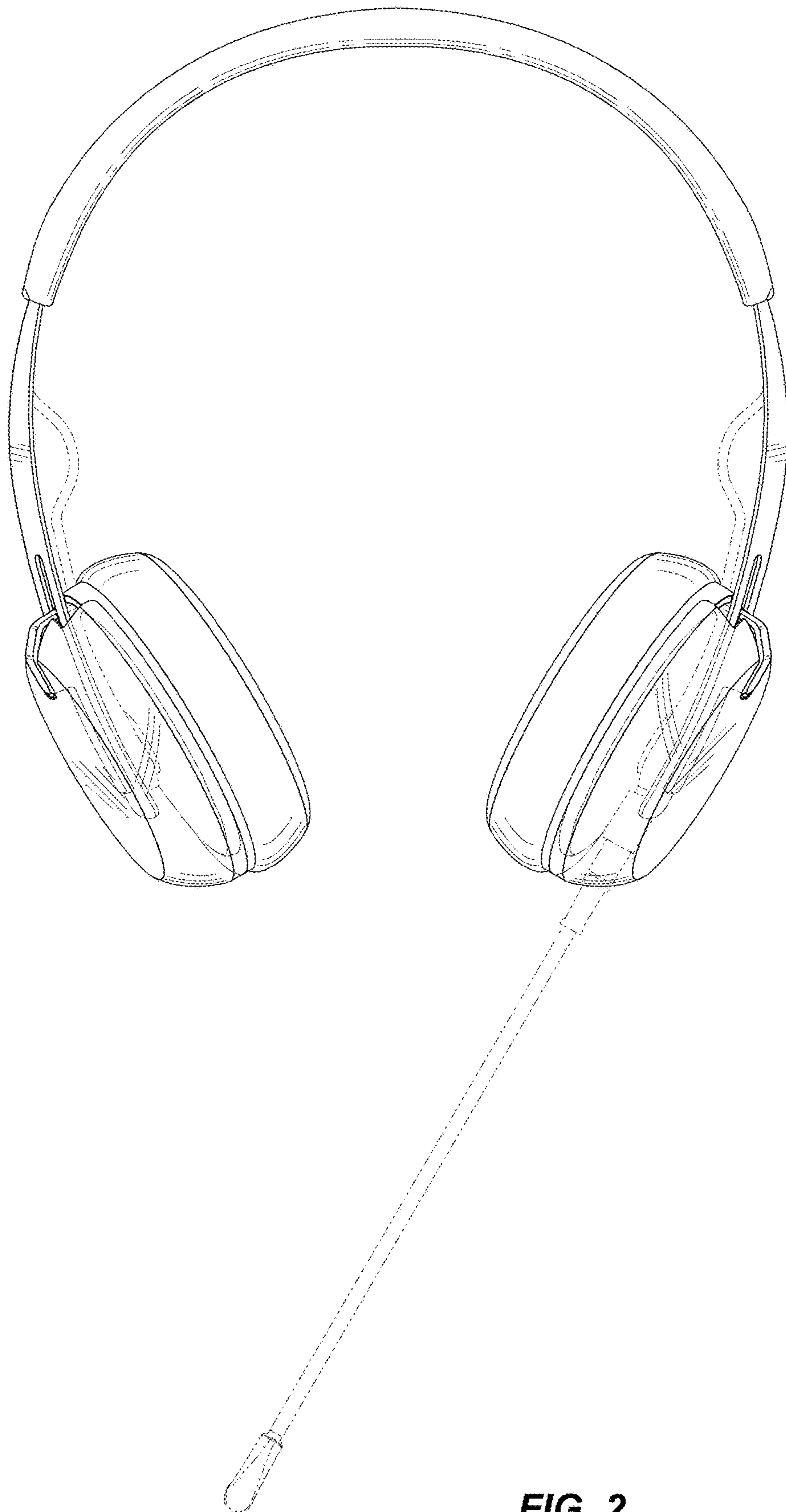


FIG. 2

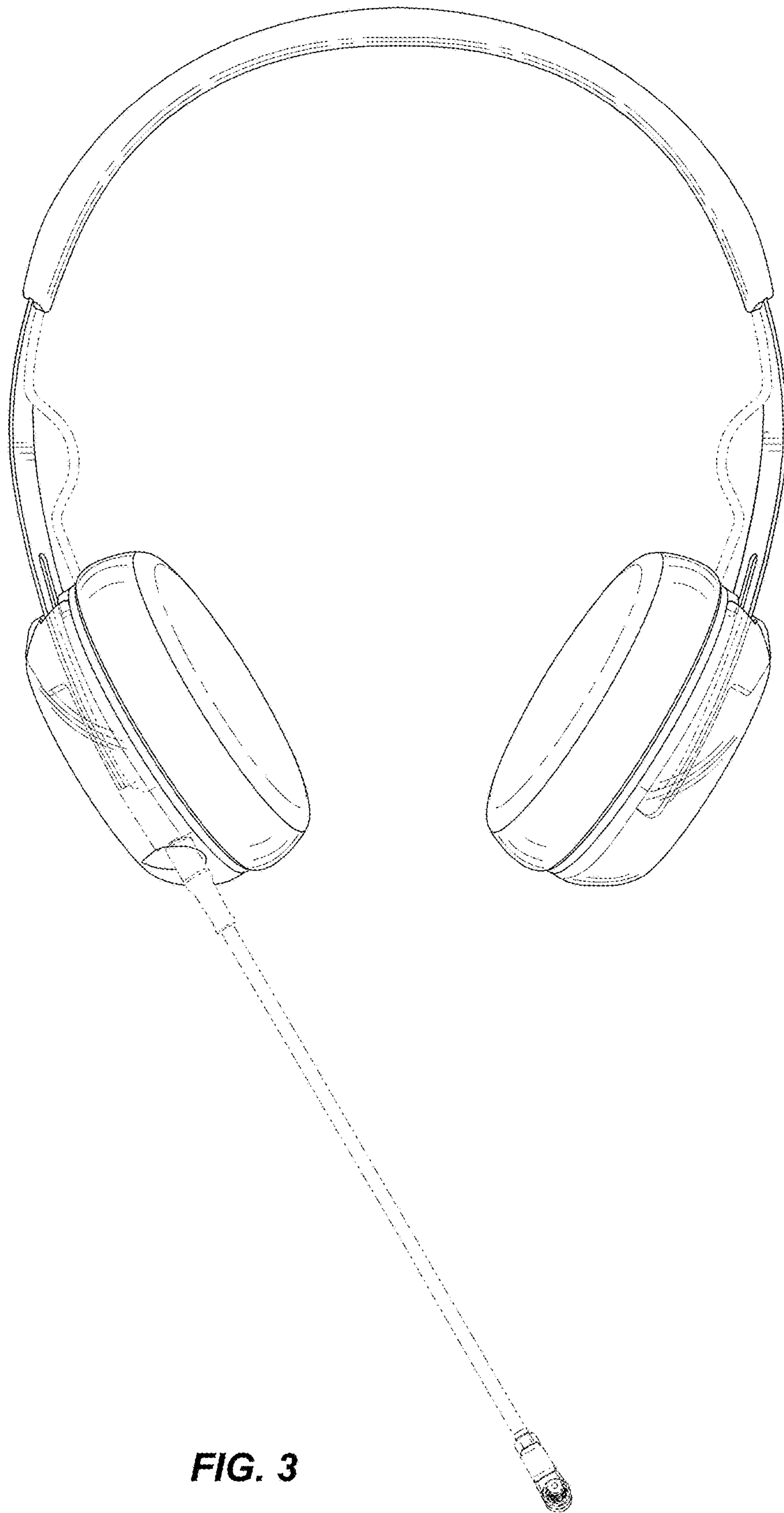


FIG. 3

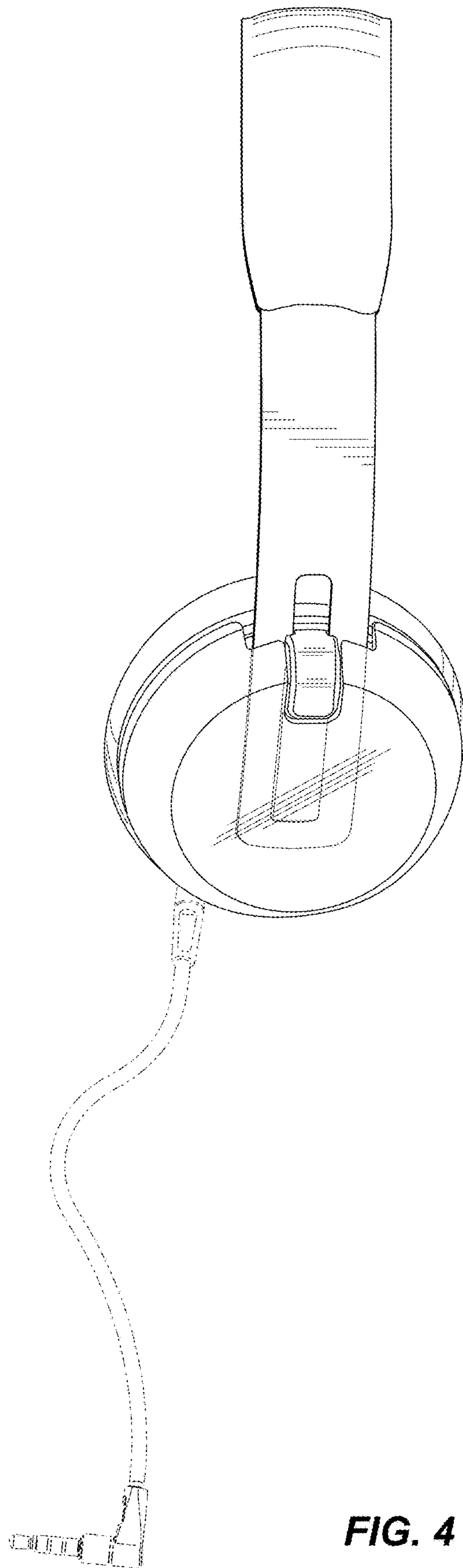


FIG. 4

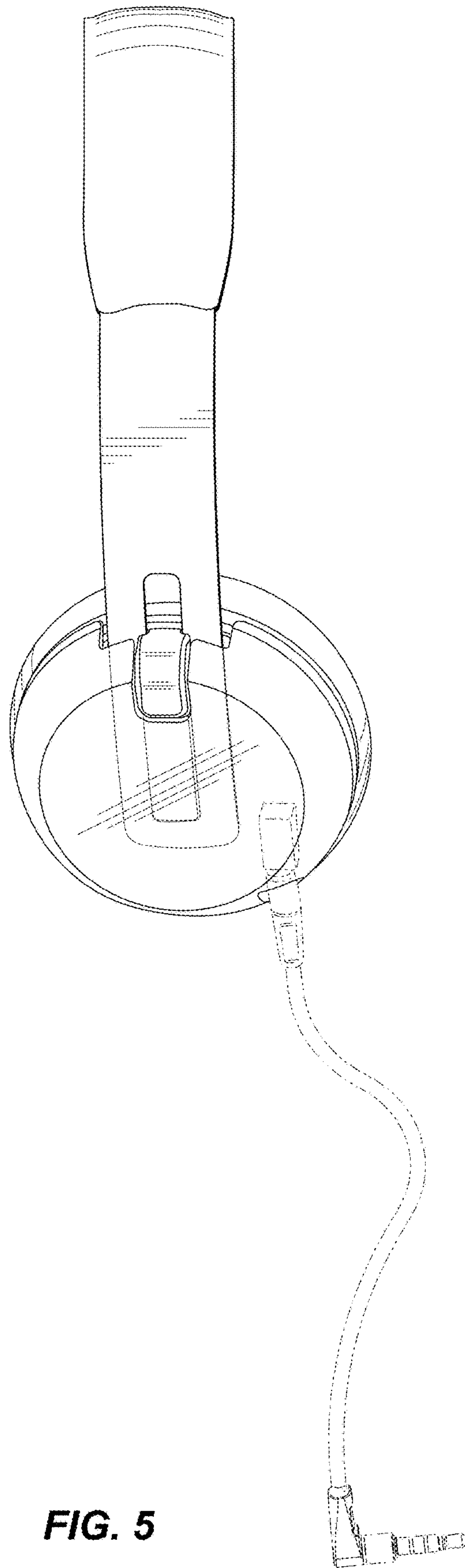


FIG. 5

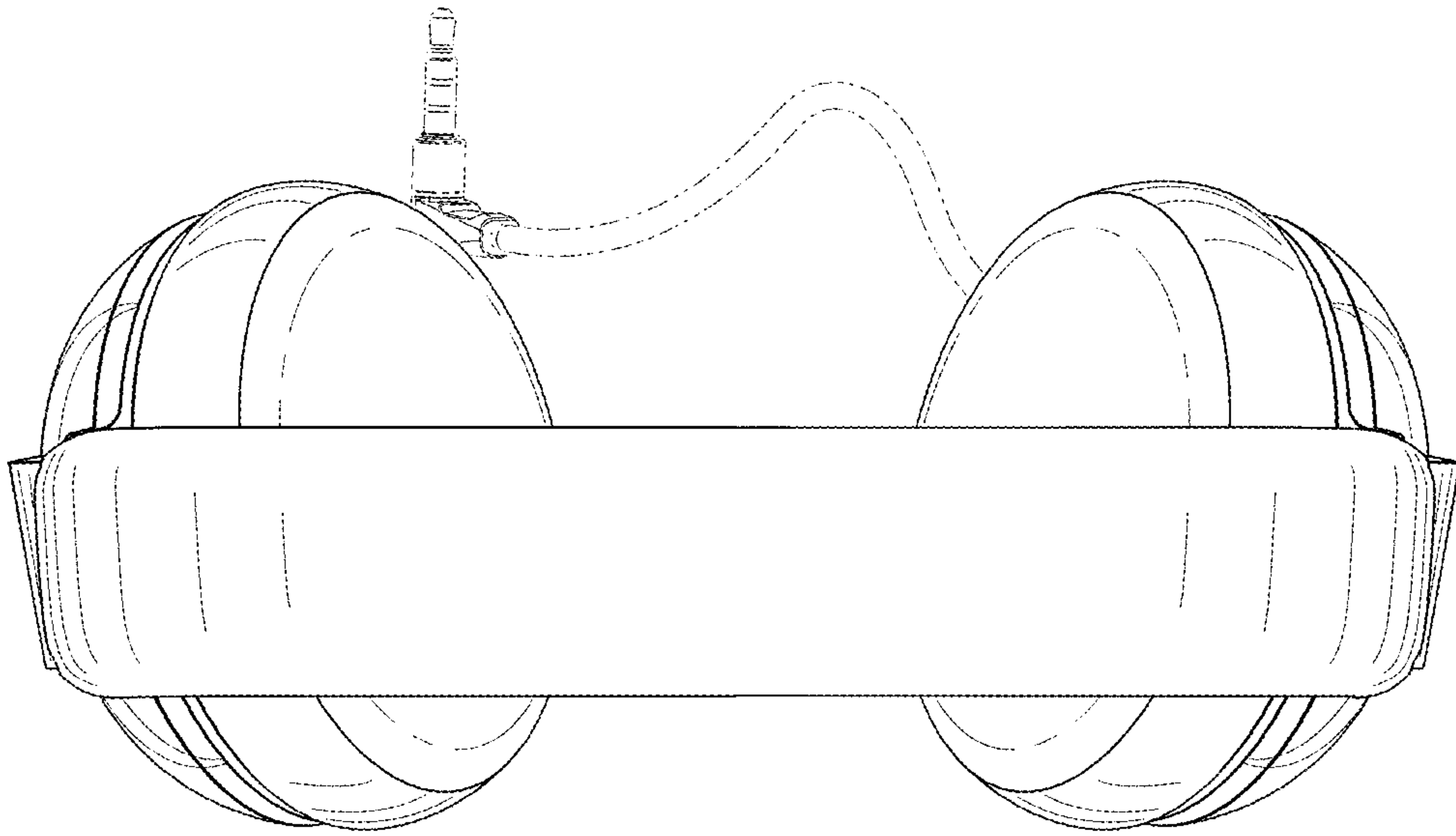


FIG. 6

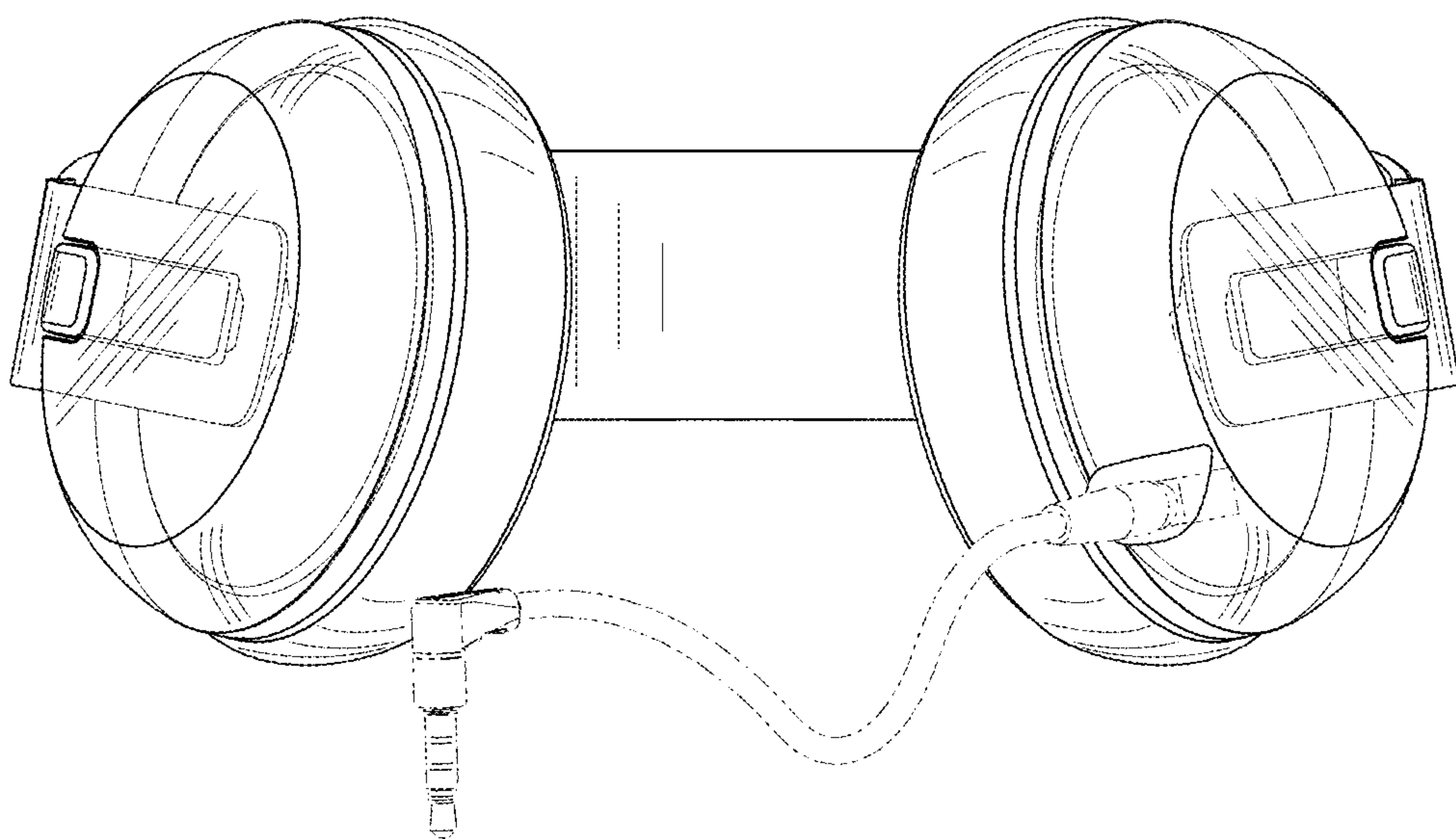


FIG. 7