



US00D805052S

(12) **United States Design Patent**
Suzuki

(10) **Patent No.:** **US D805,052 S**

(45) **Date of Patent:** **** Dec. 12, 2017**

(54) **VOICE RECORDING/REPRODUCING DEVICE**

(71) Applicant: **OLYMPUS CORPORATION**,
Hachioji-shi, Tokyo (JP)

(72) Inventor: **Tatsuhiko Suzuki**, Kunitachi (JP)

(73) Assignee: **OLYMPUS CORPORATION**, Tokyo
(JP)

(**) Term: **15 Years**

(21) Appl. No.: **29/583,091**

(22) Filed: **Nov. 2, 2016**

(30) **Foreign Application Priority Data**

Aug. 26, 2016 (JP) 2016-018191

(51) **LOC (10) Cl.** **14-01**

(52) **U.S. Cl.**
USPC **D14/167**

(58) **Field of Classification Search**

USPC D14/167, 154, 168, 188, 496, 156, 160,
D14/161, 162, 163, 164, 165, 158, 203.1,
D14/341, 346, 342, 345, 225, 226, 228,
D14/227, 214; 455/351, 350; D19/60,
D19/62; D21/330; 369/44.14, 44.32;
700/94; D16/202
CPC H04N 13/004; H04N 5/85; H04N 9/8227;
H04N 13/0055; H04N 19/597; H04N
19/61; H04N 21/42646; H04N 21/4325;
H04N 1/234327; G11B 27/034; G11B
27/11

See application file for complete search history.

(56) **References Cited**

U.S. PATENT DOCUMENTS

D647,077 S * 10/2011 Hayashi D14/167
D658,150 S * 4/2012 Miyazaki D14/167
D665,768 S * 8/2012 Kumagai D14/167
D669,880 S * 10/2012 Okura D14/167
D710,817 S * 8/2014 Ushio D14/167
D710,818 S * 8/2014 Ota D14/167

* cited by examiner

Primary Examiner — Austin Murphy

(74) *Attorney, Agent, or Firm* — Holtz, Holtz & Volek PC

(57) **CLAIM**

The ornamental design for a voice recording/reproducing device, as shown.

DESCRIPTION

FIG. 1 is a front, top and right side perspective view of a voice recording/reproducing device showing my new design;

FIG. 2 is a front elevational view thereof;

FIG. 3 is a rear elevational view thereof;

FIG. 4 is a top plan view thereof;

FIG. 5 is a bottom plan view thereof;

FIG. 6 is a right side elevational view thereof; and,

FIG. 7 is a left side elevational view thereof.

1 Claim, 6 Drawing Sheets

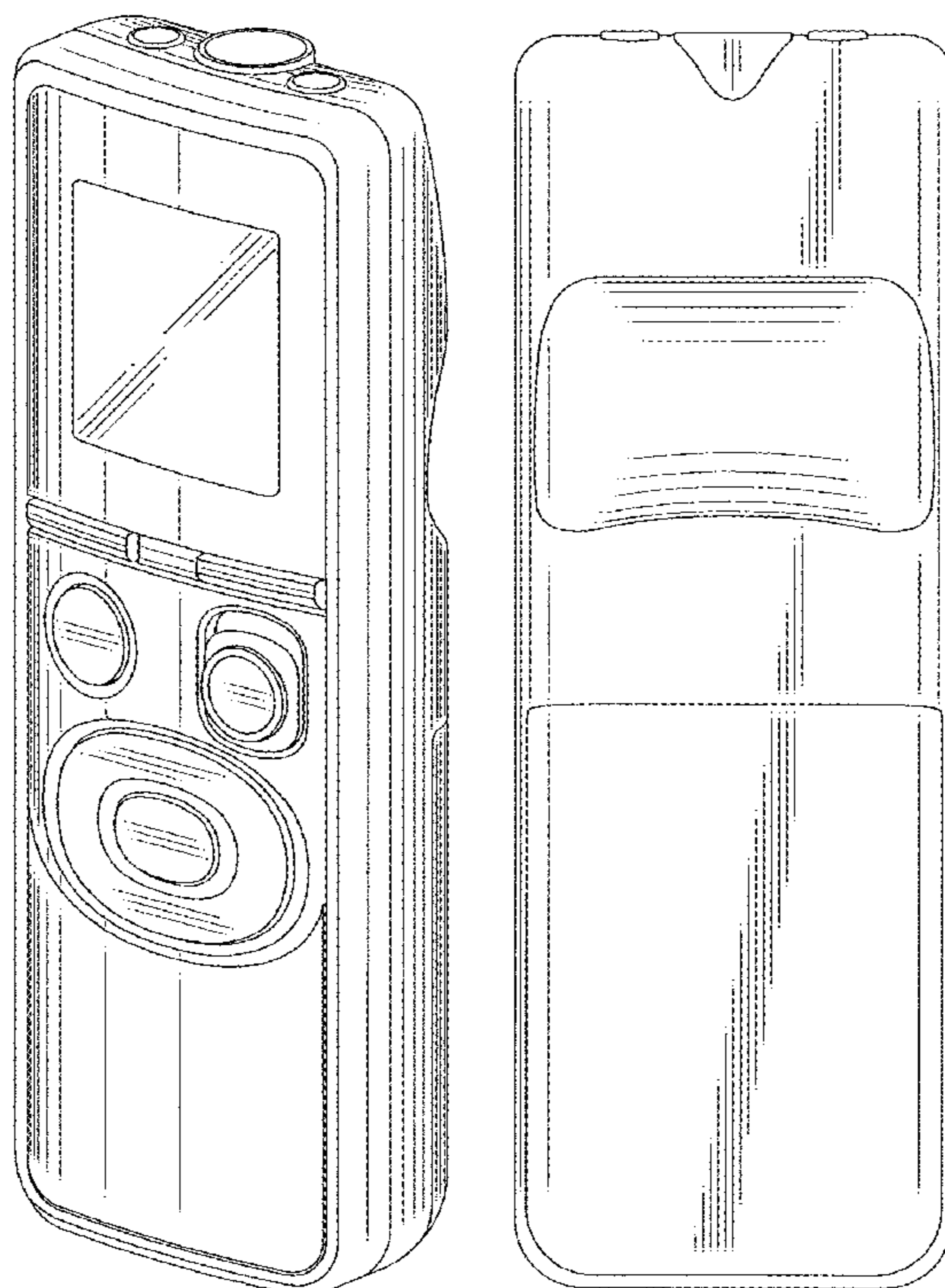


FIG. 1

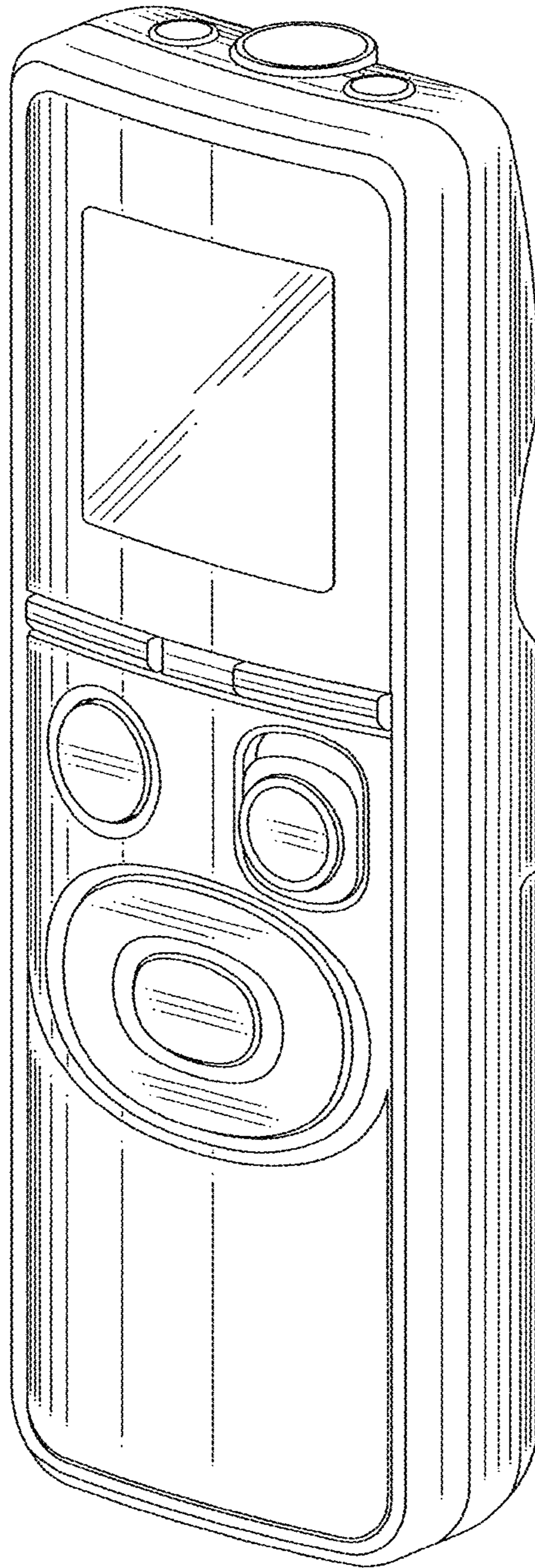


FIG.2

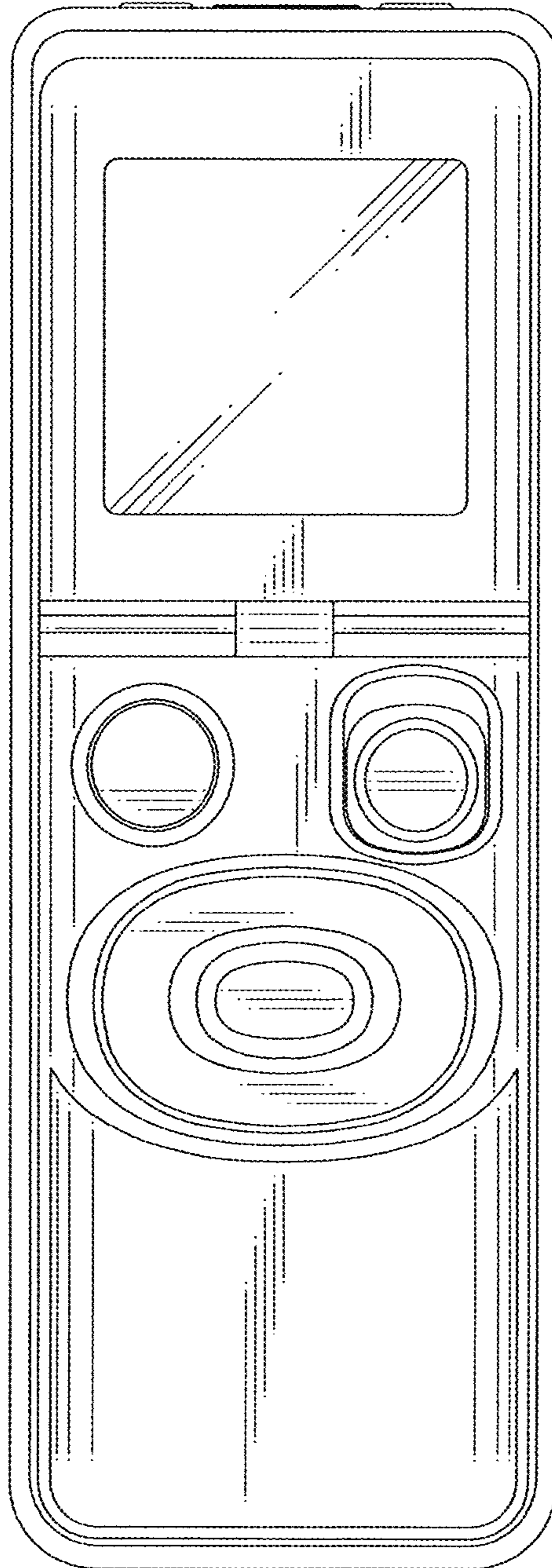


FIG.3

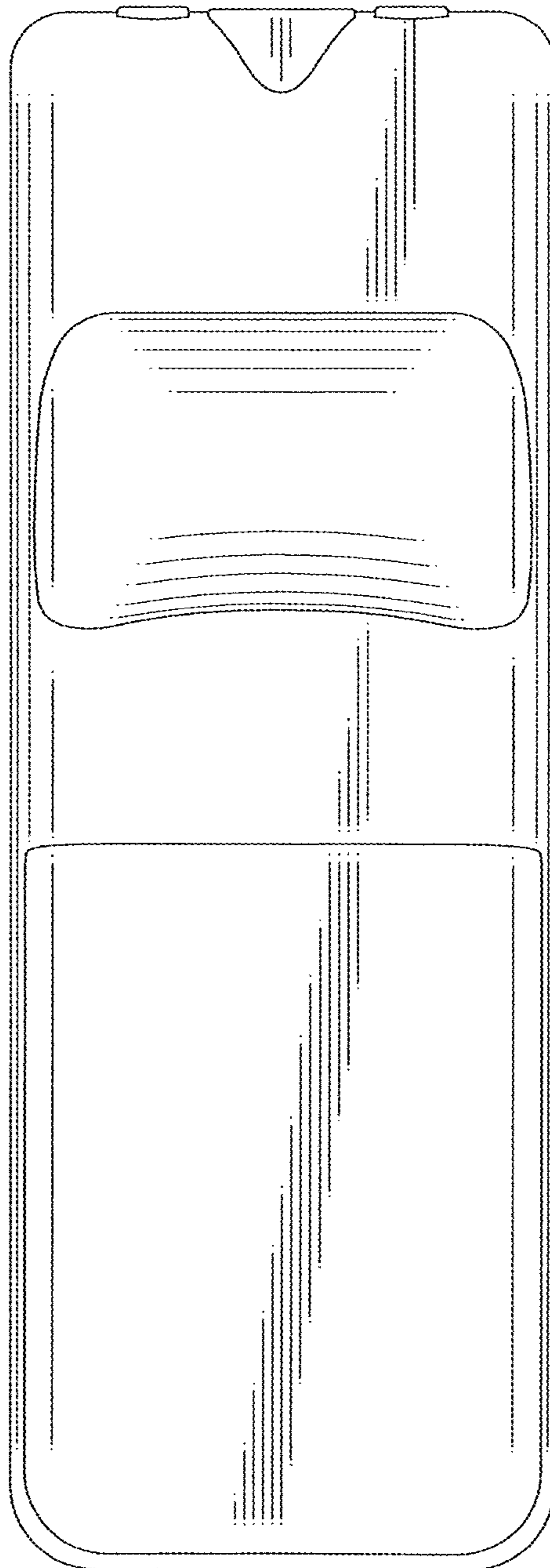


FIG.4

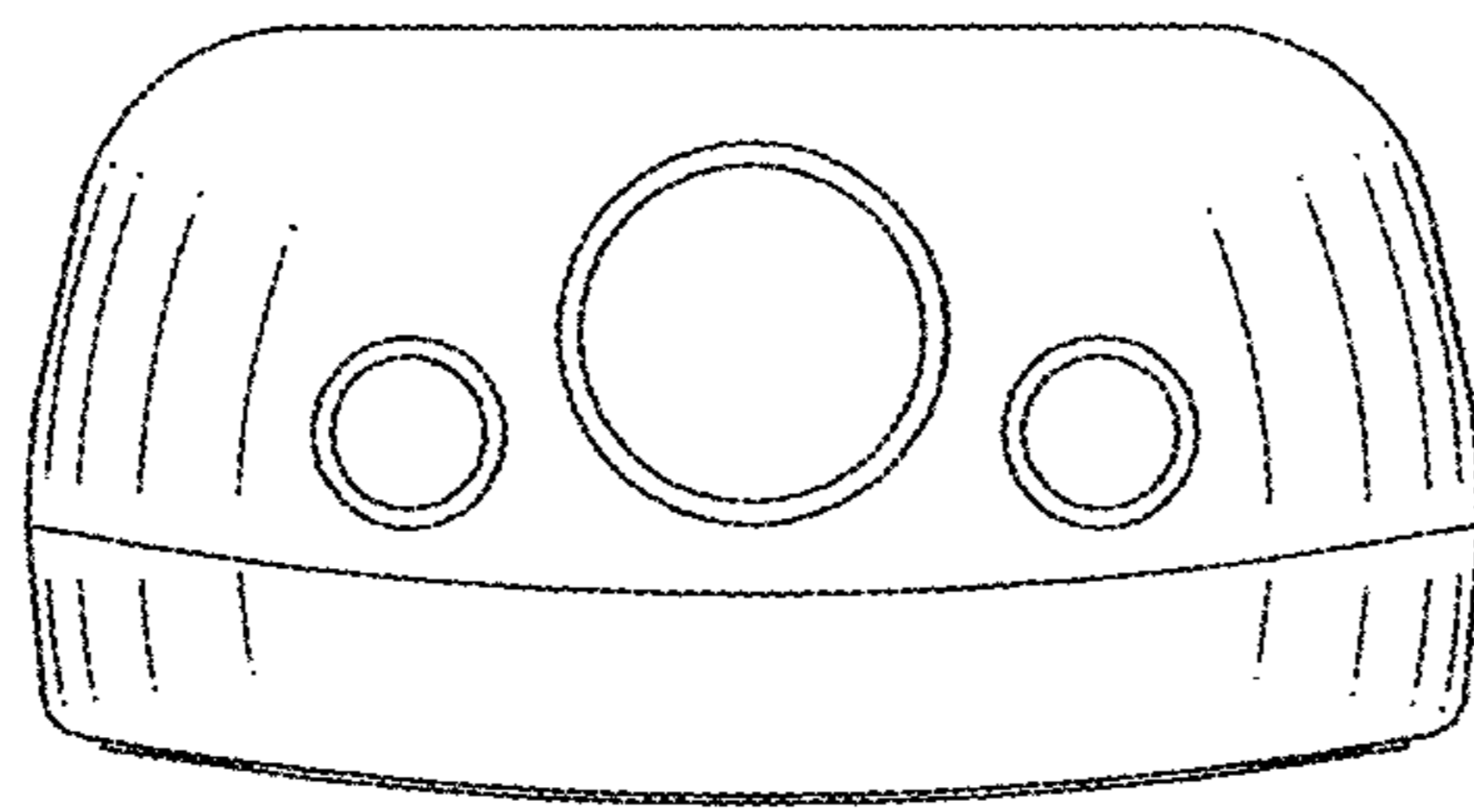


FIG.5

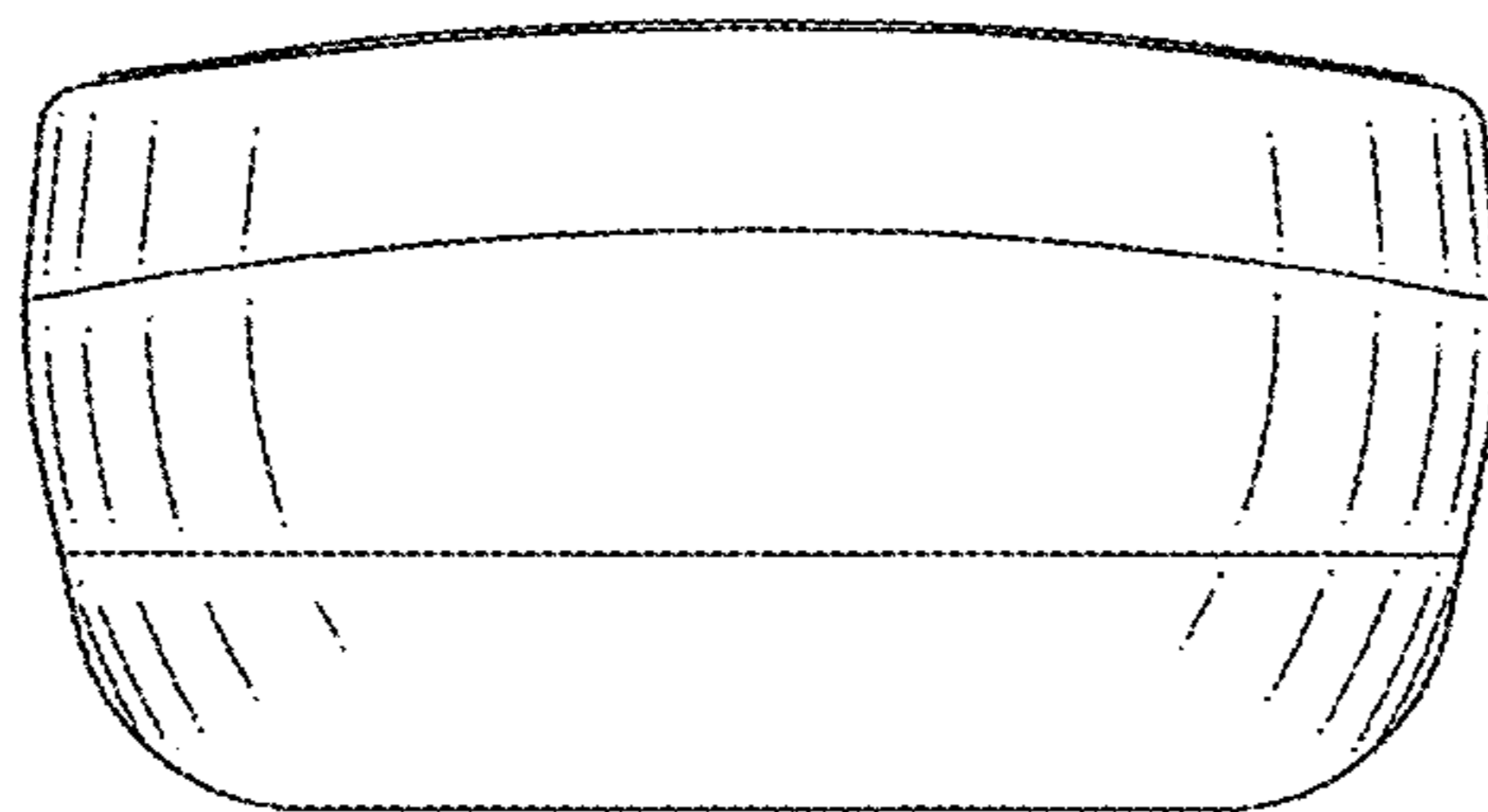


FIG. 6

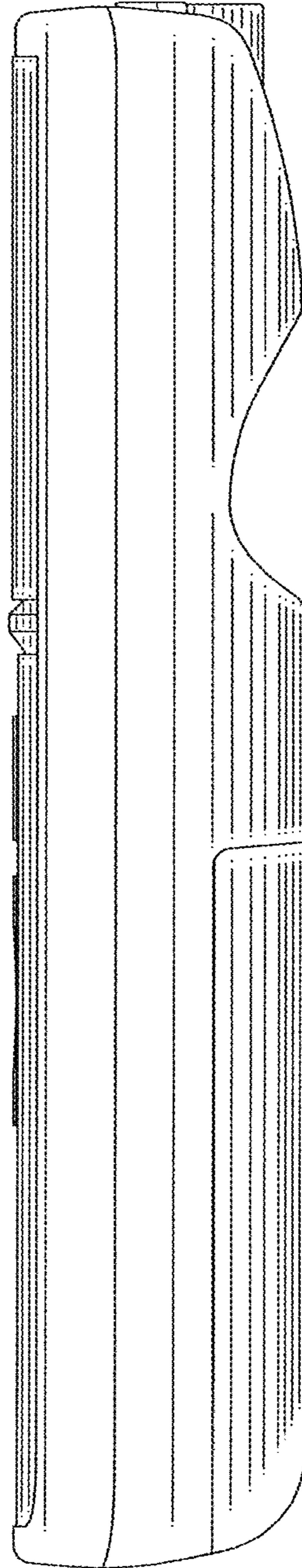


FIG.7

