



US00D805050S

(12) **United States Design Patent** (10) **Patent No.:** **US D805,050 S**  
**Lim et al.** (45) **Date of Patent:** **\*\* Dec. 12, 2017**

(54) **TELEVISION RECEIVER**

2200/044; B29L 2031/3475; Y10S  
248/917; Y10S 248/919; Y10S 248/923;  
G02F 1/133608

(71) Applicant: **LG ELECTRONICS INC.**, Seoul  
(KR)

See application file for complete search history.

(72) Inventors: **Jaewon Lim**, Seoul (KR); **Sungyong Park**, Seoul (KR); **Bumsang Lee**, Seoul (KR)

(56) **References Cited**

U.S. PATENT DOCUMENTS

(73) Assignee: **LG ELECTRONICS INC.**, Seoul  
(KR)

D717,257 S *	11/2014	Kim	.....	D14/126
D725,058 S *	3/2015	Kim	.....	D14/126
D736,167 S *	8/2015	Bang	.....	D14/126
D736,170 S *	8/2015	Ryu	.....	D14/126
D742,345 S *	11/2015	Wang	.....	D14/126
D751,047 S *	3/2016	Ren	.....	D14/126
D752,535 S *	3/2016	Kim	.....	D14/126
D753,083 S *	4/2016	Kim	.....	D14/126
D753,618 S *	4/2016	Ryu	.....	D14/126
D761,221 S *	7/2016	Kim	.....	D14/126
D777,127 S *	1/2017	Kim	.....	D14/126

(\*\*) Term: **15 Years**

(21) Appl. No.: **35/501,515**

(22) Filed: **Mar. 7, 2016**

(80) **Hague Agreement Data**

Int. Filing Date: **Mar. 7, 2016**  
Int. Reg. No.: **DM/091164**  
Int. Reg. Date: **Mar. 7, 2016**  
Int. Reg. Pub. Date: **Sep. 9, 2016**

\* cited by examiner

*Primary Examiner* — Barbara Fox  
*Assistant Examiner* — Eliza Bennett-Hattan  
(74) *Attorney, Agent, or Firm* — Birch, Stewart, Kolasch & Birch, LLP

(30) **Foreign Application Priority Data**

Sep. 8, 2015 (KR) ..... 30-2015-0045662

(51) **LOC (10) Cl.** ..... **14-03**

(52) **U.S. Cl.**  
USPC ..... **D14/126**

(58) **Field of Classification Search**  
USPC ..... D14/314, 250, 239, 203.1, 238.1, 126,  
D14/132, 301, 302, 348, 349, 353;  
D21/516, 513  
CPC .. H04N 5/64; H04N 2005/4408; G03B 21/14;  
G03B 21/145; G03B 21/56; G03B 21/62;  
F16M 11/10; F16M 2200/08; F16M  
11/18; F16M 11/2014; F16M 11/28;  
F16M 13/02; F16M 11/00; F16M 11/08;  
F16M 11/22; F16M 2200/041; F16M

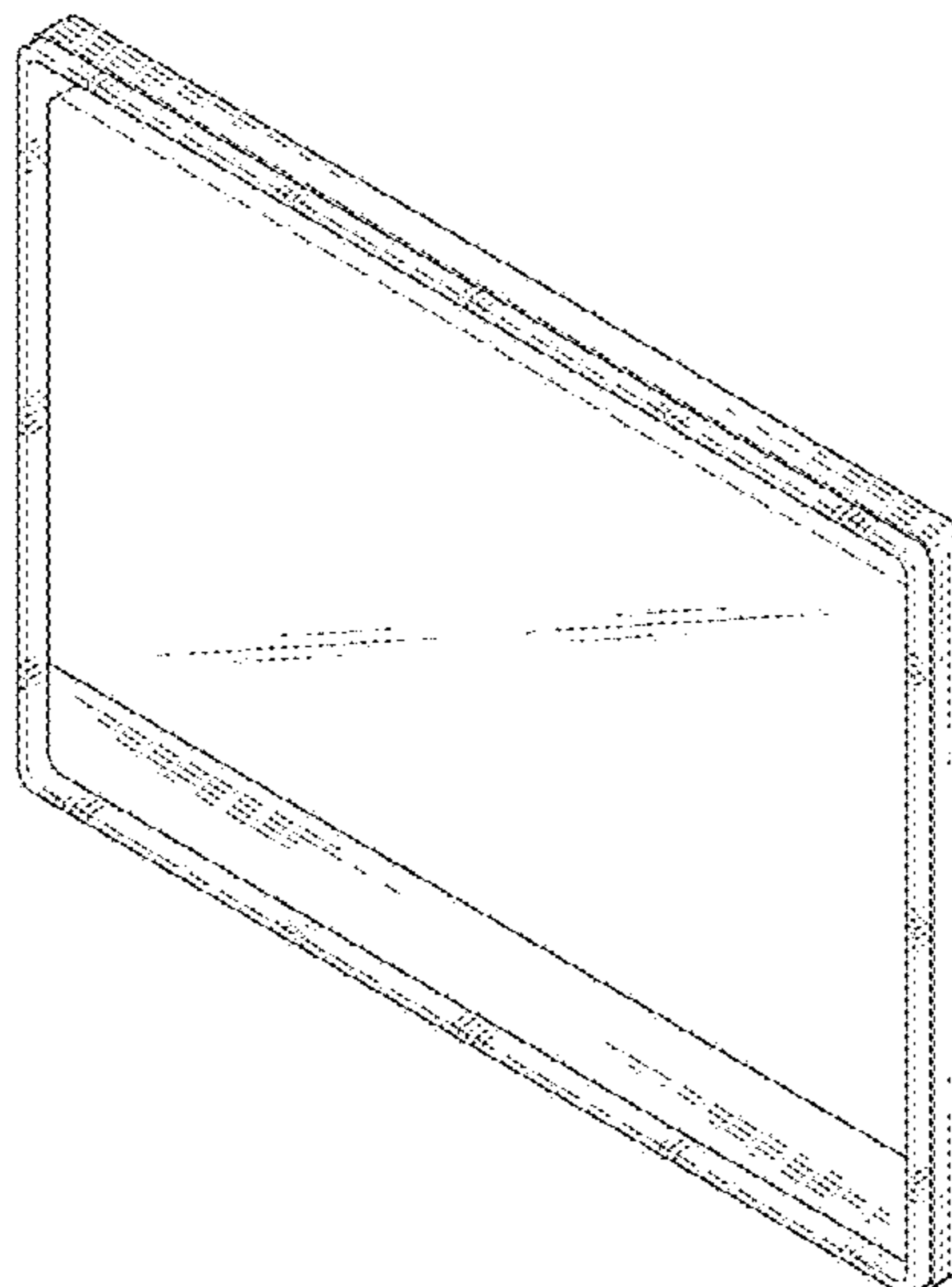
(57) **CLAIM**

The ornamental design for a television receiver, as shown and described.

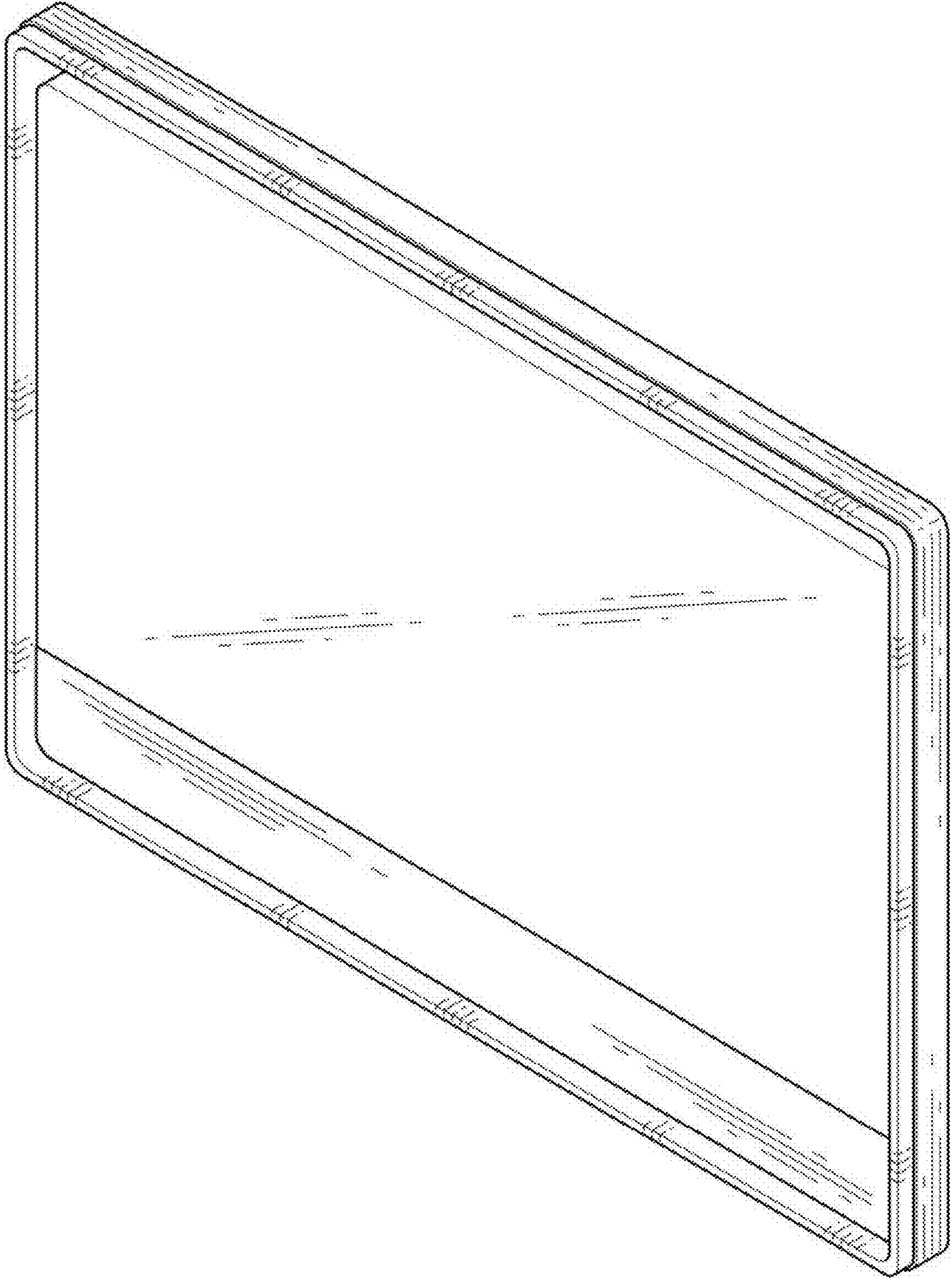
**DESCRIPTION**

- 1. Television receiver
- 1.1 : Perspective
- 1.2 : Front
- 1.3 : Back
- 1.4 : Left
- 1.5 : Right
- 1.6 : Top
- 1.7 : Bottom

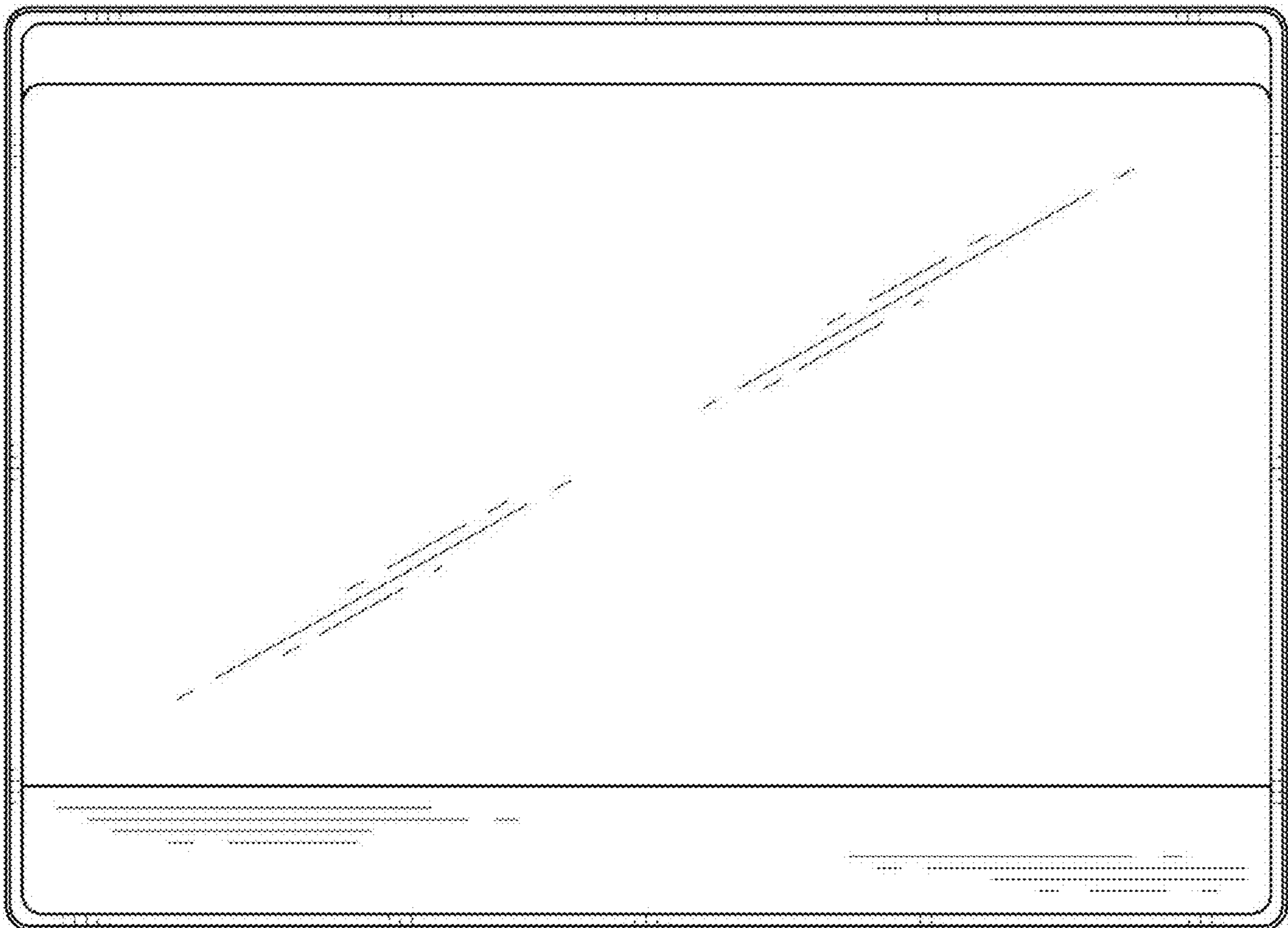
**1 Claim, 7 Drawing Sheets**



1.1



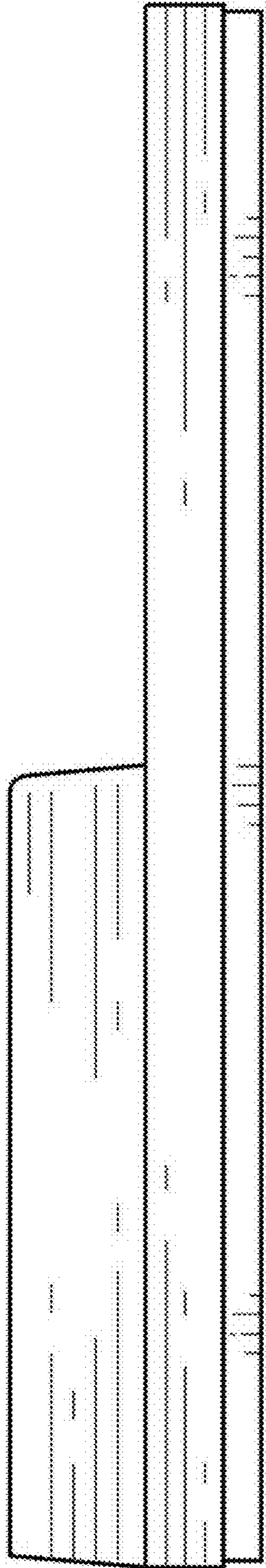
1.2



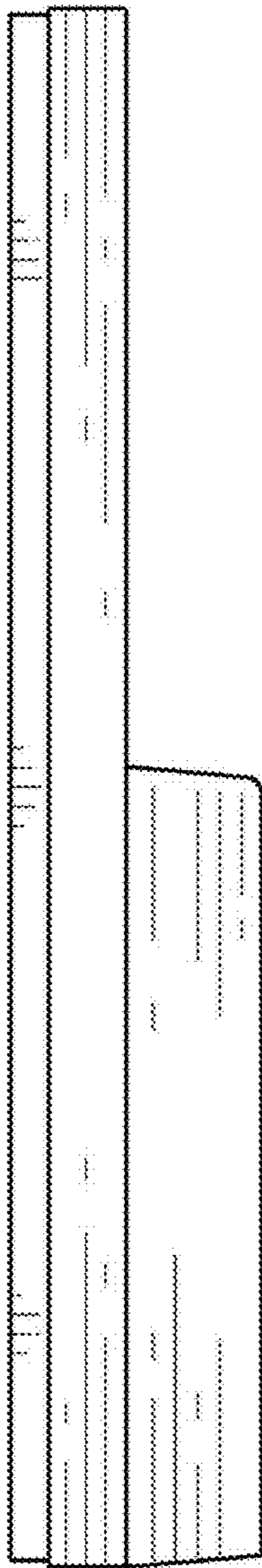
1.3



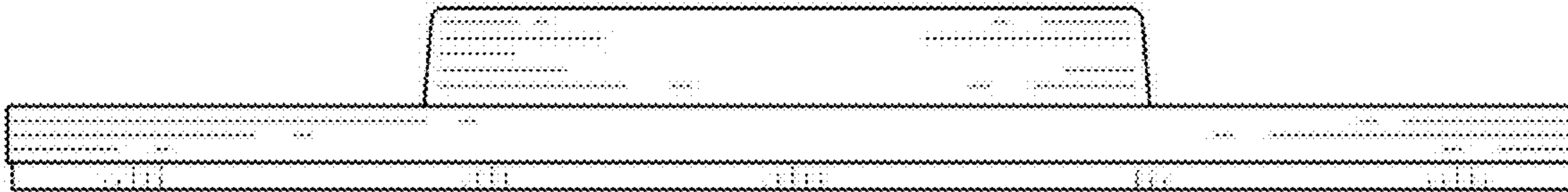
1.4



1.5



1.6



1.7

