



US00D805047S

(12) **United States Design Patent** (10) **Patent No.:** **US D805,047 S**
Dry et al. (45) **Date of Patent:** **** Dec. 12, 2017**

(54) **TELEVISION**

D741,275 S * 10/2015 Huh D14/126
D746,241 S * 12/2015 Kurihara D14/126

(71) Applicant: **WirePath Home Systems, LLC**,
Charlotte, NC (US)

* cited by examiner

(72) Inventors: **Jonathan David Dry**, Newbury Park,
CA (US); **Thomas Weaver**, Westlake
Village, CA (US)

Primary Examiner — Randall Gholson

(74) *Attorney, Agent, or Firm* — Myers Bigel, P.A.

(73) Assignee: **Wirepath Home Systems, LLC**,
Charlotte, NC (US)

(57) **CLAIM**

The ornamental design for a television, as shown and
described.

(**) Term: **15 Years**

DESCRIPTION

(21) Appl. No.: **29/577,463**

FIG. 1 is a front perspective view illustrating a television;
FIG. 2 is a back perspective view thereof;
FIG. 3 is a front view thereof;
FIG. 4 is a back view thereof;
FIG. 5 is a side view thereof;
FIG. 6 is an opposing side view thereof;
FIG. 7 is a top view thereof;
FIG. 8 is a bottom view thereof;
FIG. 9 is a front perspective view illustrating another
embodiment of a television;
FIG. 10 is a back perspective view thereof;
FIG. 11 is a front view thereof;
FIG. 12 is a back view thereof;
FIG. 13 is a side view thereof;
FIG. 14 is an opposing side view thereof;
FIG. 15 is a top view thereof;
FIG. 16 is a bottom view thereof;
FIG. 17 is a front perspective view illustrating another
embodiment of a television;
FIG. 18 is a back perspective view thereof;
FIG. 19 is a front view thereof;
FIG. 20 is a back view thereof;
FIG. 21 is a side view thereof;
FIG. 22 is an opposing side view thereof;
FIG. 23 is a top view thereof; and,
FIG. 24 is a bottom view thereof.

(22) Filed: **Sep. 13, 2016**

(51) **LOC (10) Cl.** **14-03**

(52) **U.S. Cl.**
USPC **D14/126**

(58) **Field of Classification Search**
USPC D14/125-134, 239, 371, 136, 374-377,
D14/440, 450, 448, 336, 342, 159;
312/7.2; 348/836, 838, 180, 184, 325,
348/739; 248/917-924, 465; 345/104,
345/133, 156, 168, 87, 173; D21/329,
D21/515, 577, 622, 333, 433, 448, 452,
D21/450, 331, 505; D10/15, 26;
446/484, 175, 356; D6/477, 479, 300;
D20/10, 19, 39
CPC ... G06F 1/1601; G06F 1/1643; H05K 5/0004;
H05K 5/0017; H05K 5/02; H05K 5/0217;
H04N 13/0459

See application file for complete search history.

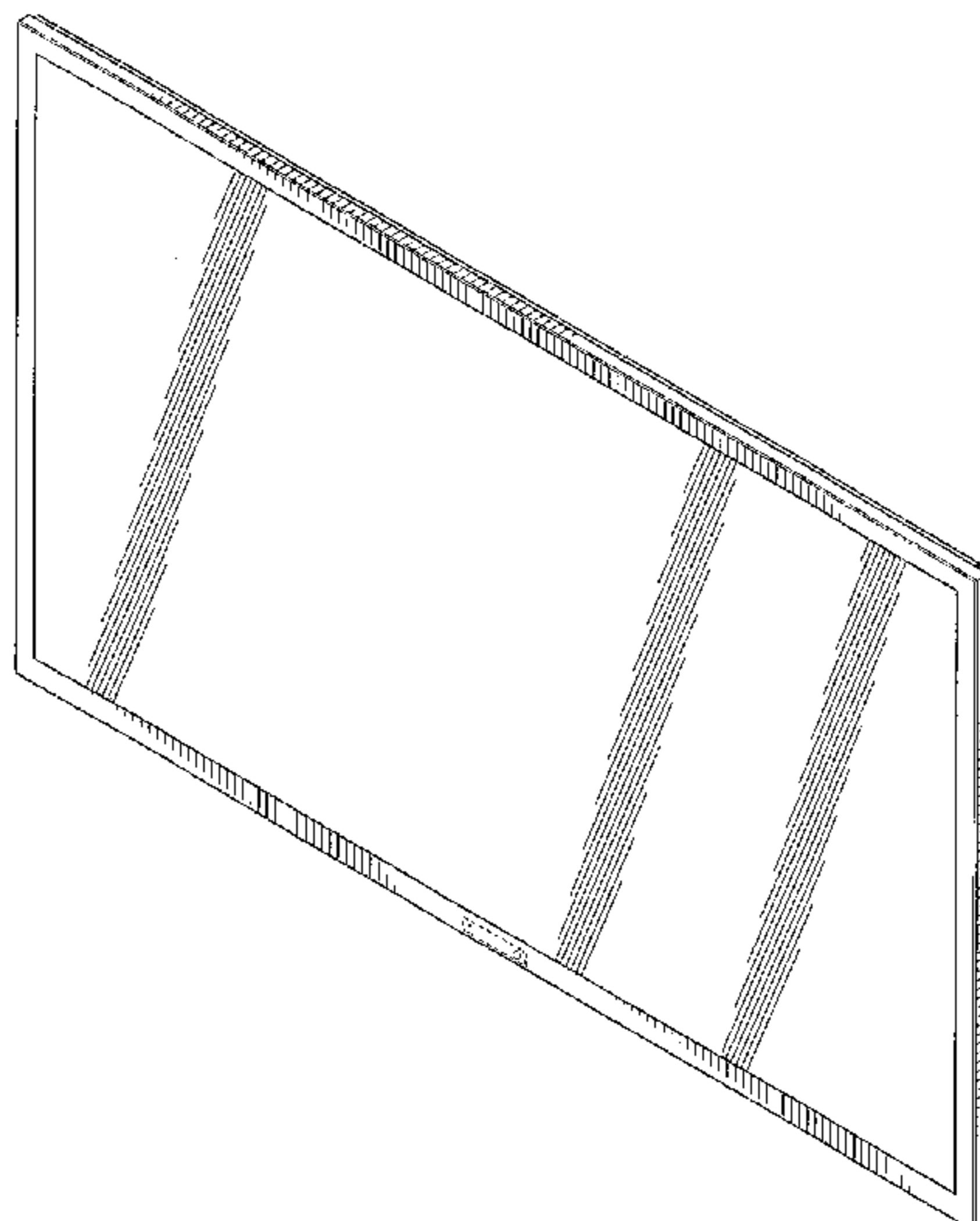
(56) **References Cited**

U.S. PATENT DOCUMENTS

D691,157 S * 10/2013 Ramesh D14/486
D709,844 S * 7/2014 Kim D14/126
D726,135 S * 4/2015 Takechi D14/126
D734,284 S * 7/2015 Dai D14/126

The broken lines in the drawings show unclaimed subject
matter only and form no part of the claimed design.

1 Claim, 18 Drawing Sheets



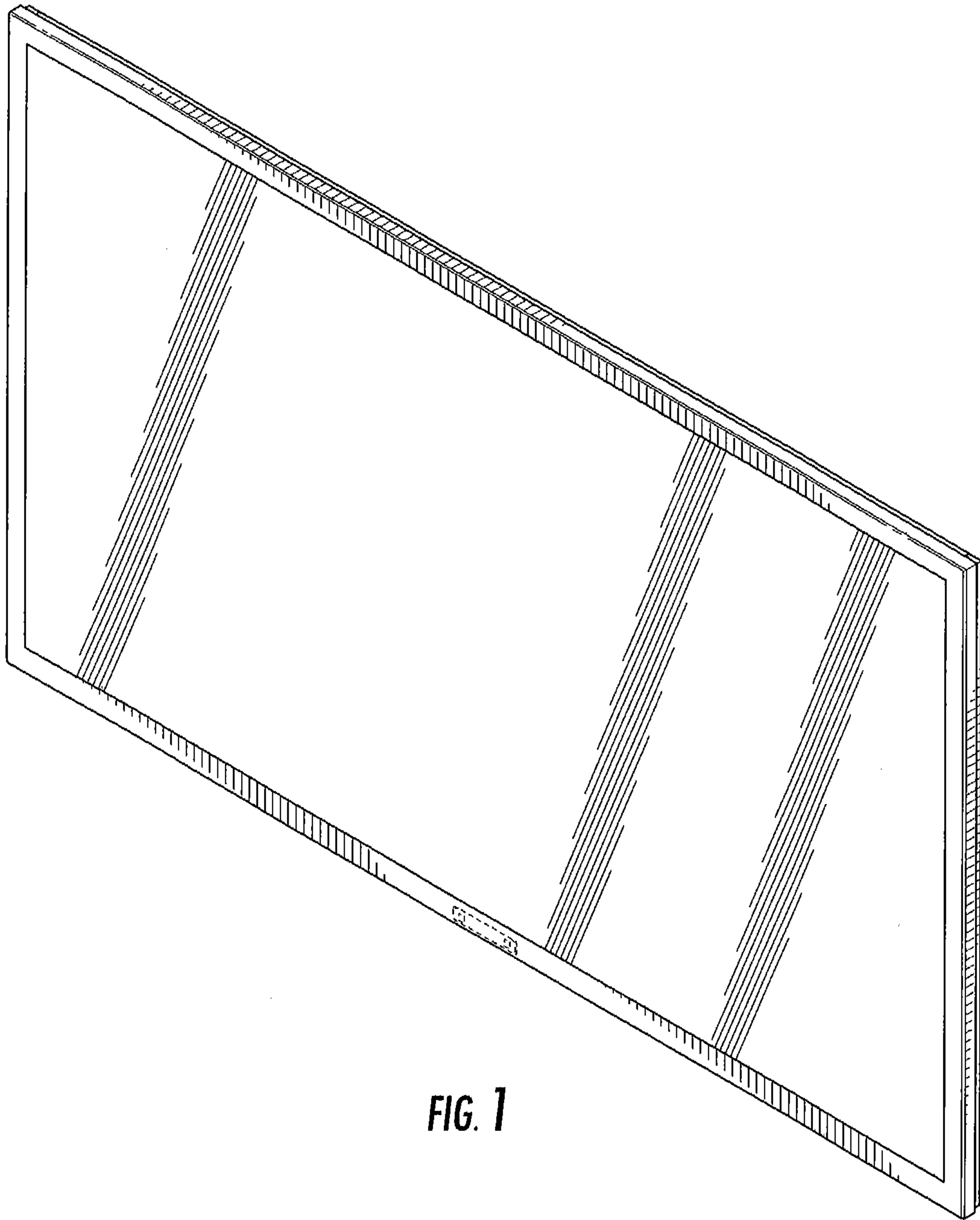


FIG. 1

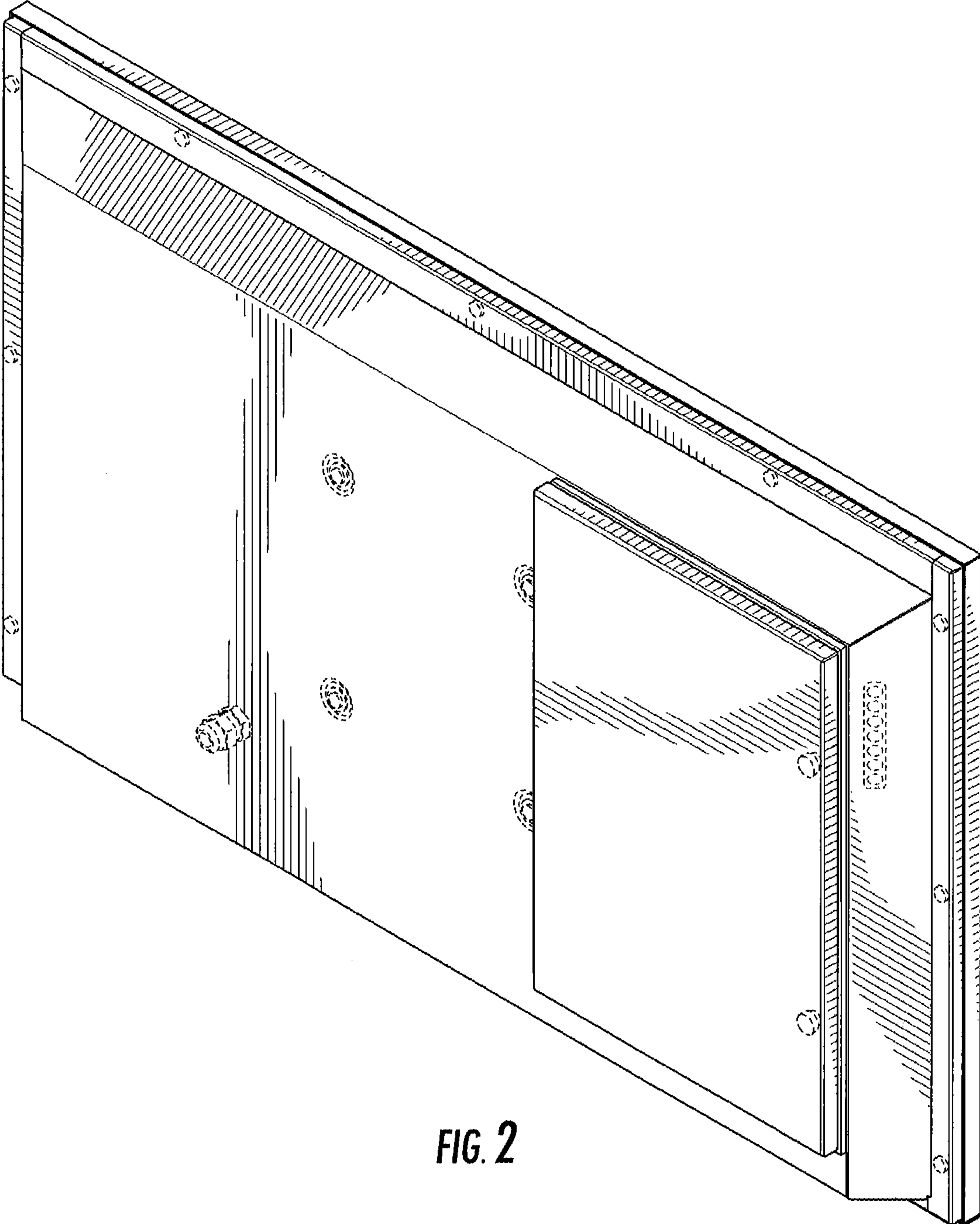


FIG. 2

FIG. 3

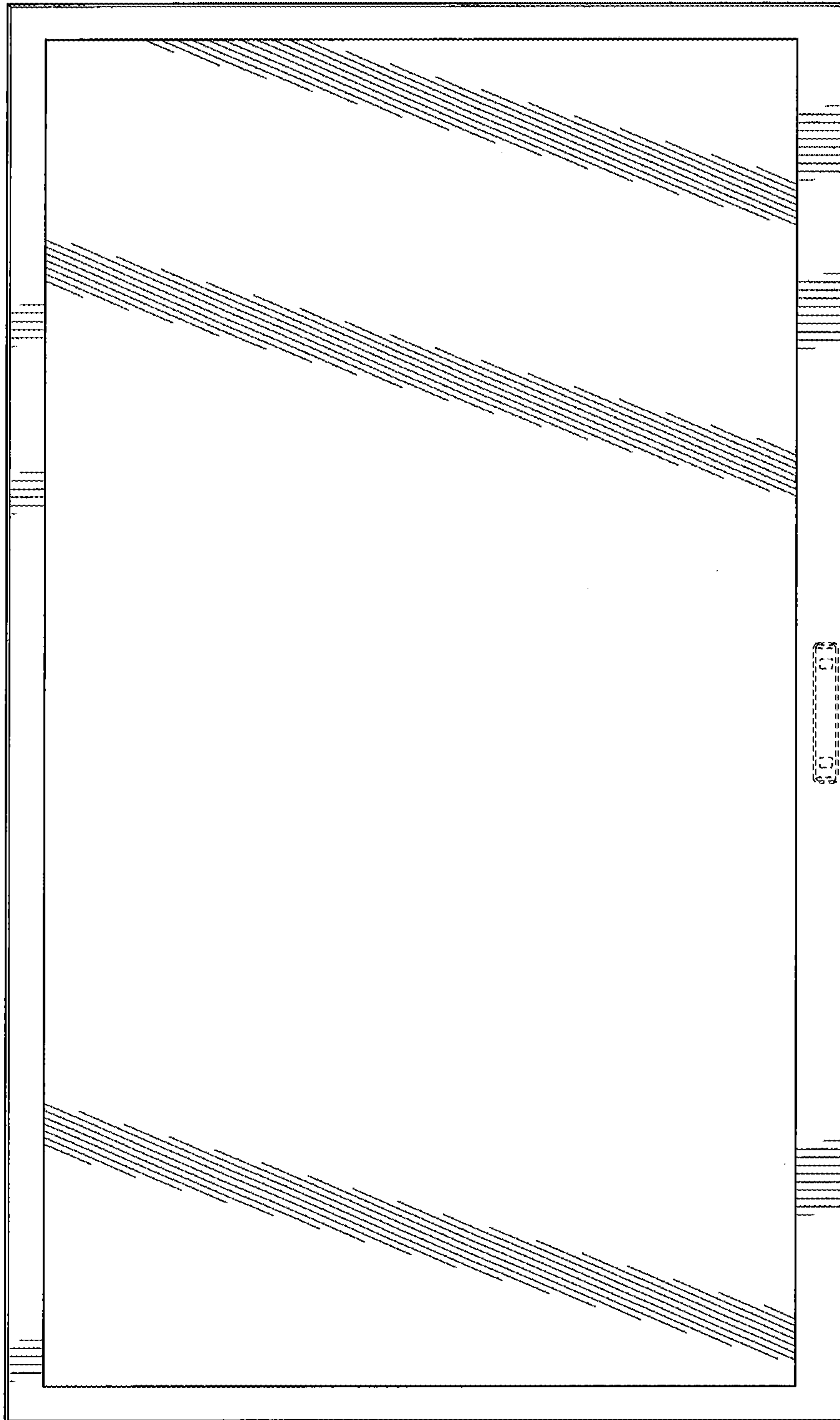
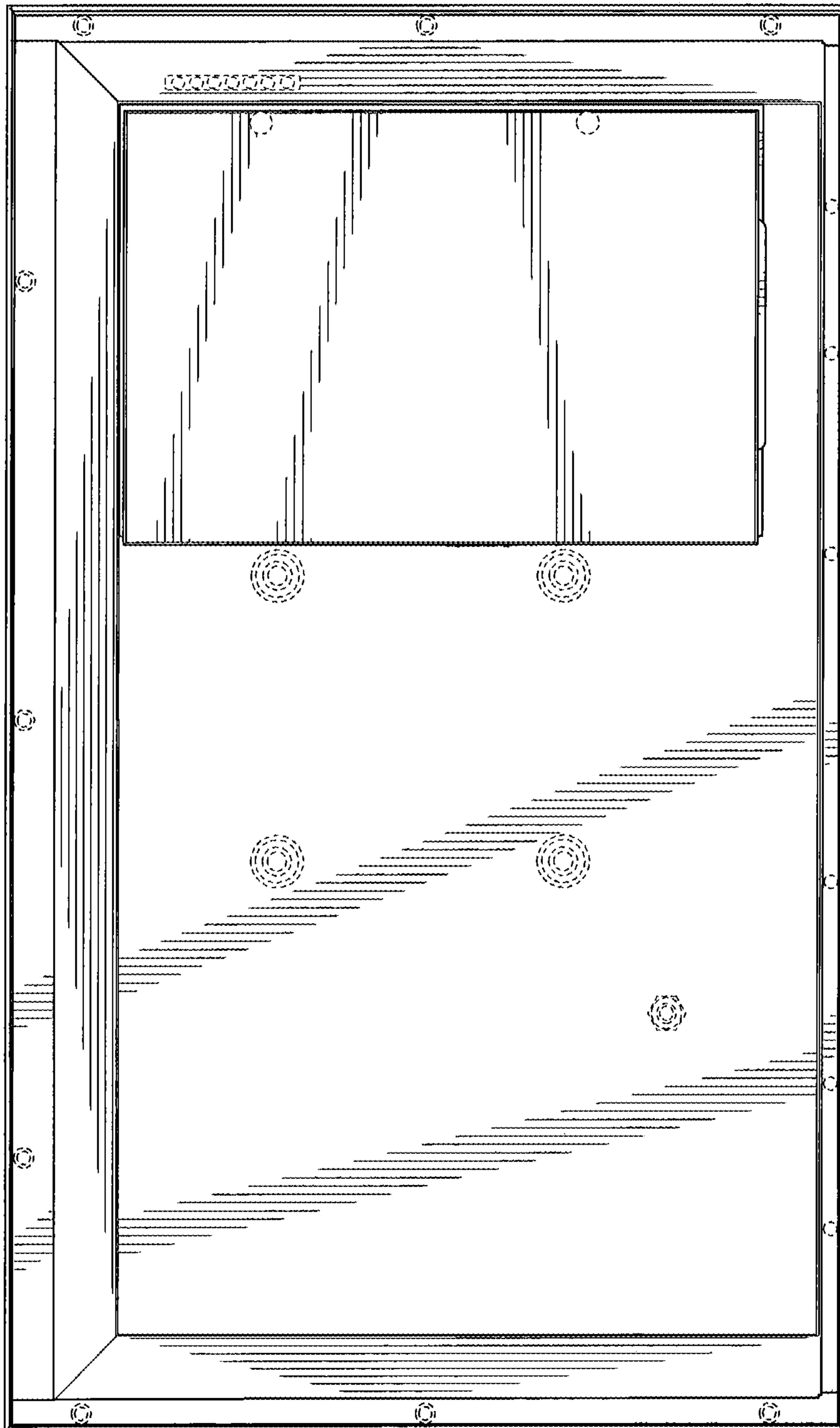


FIG. 4



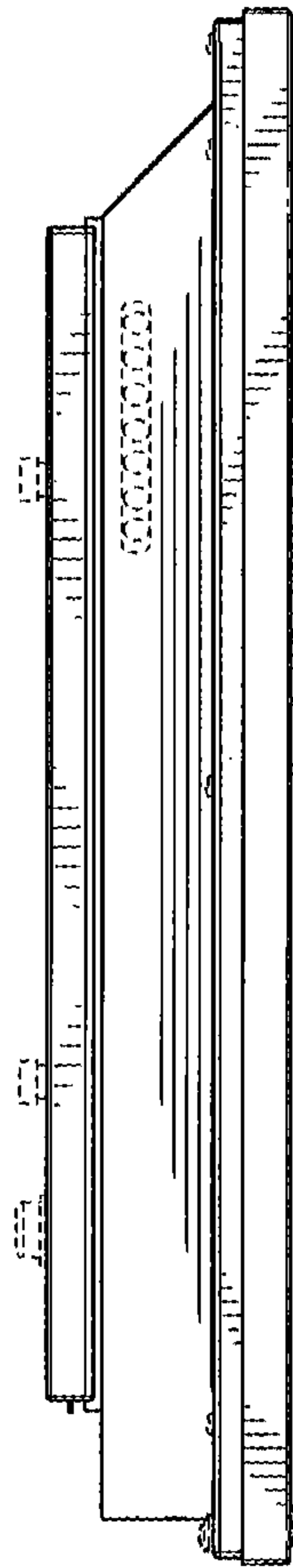


FIG. 5

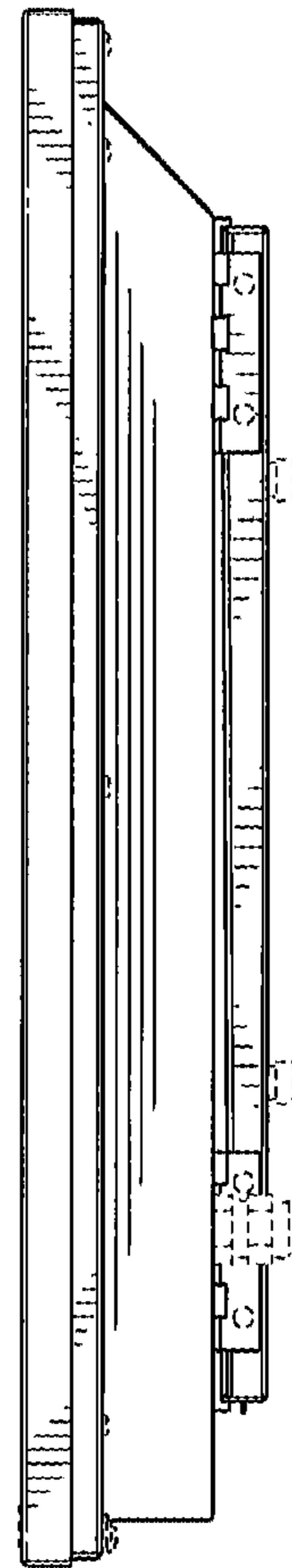


FIG. 6

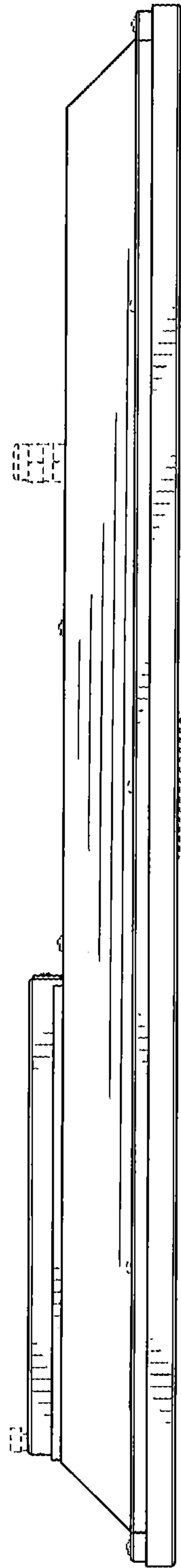


FIG. 7

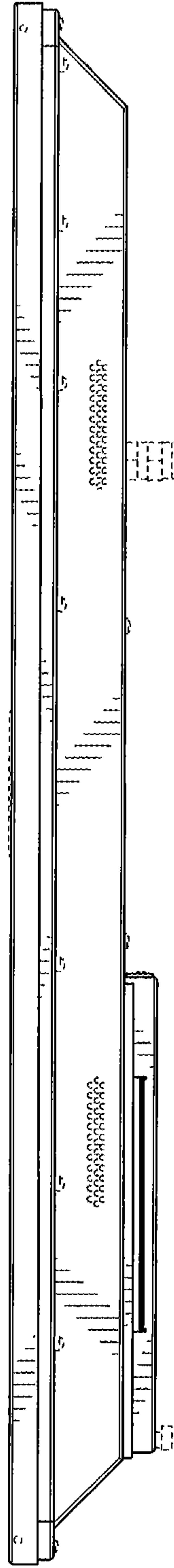


FIG. 8

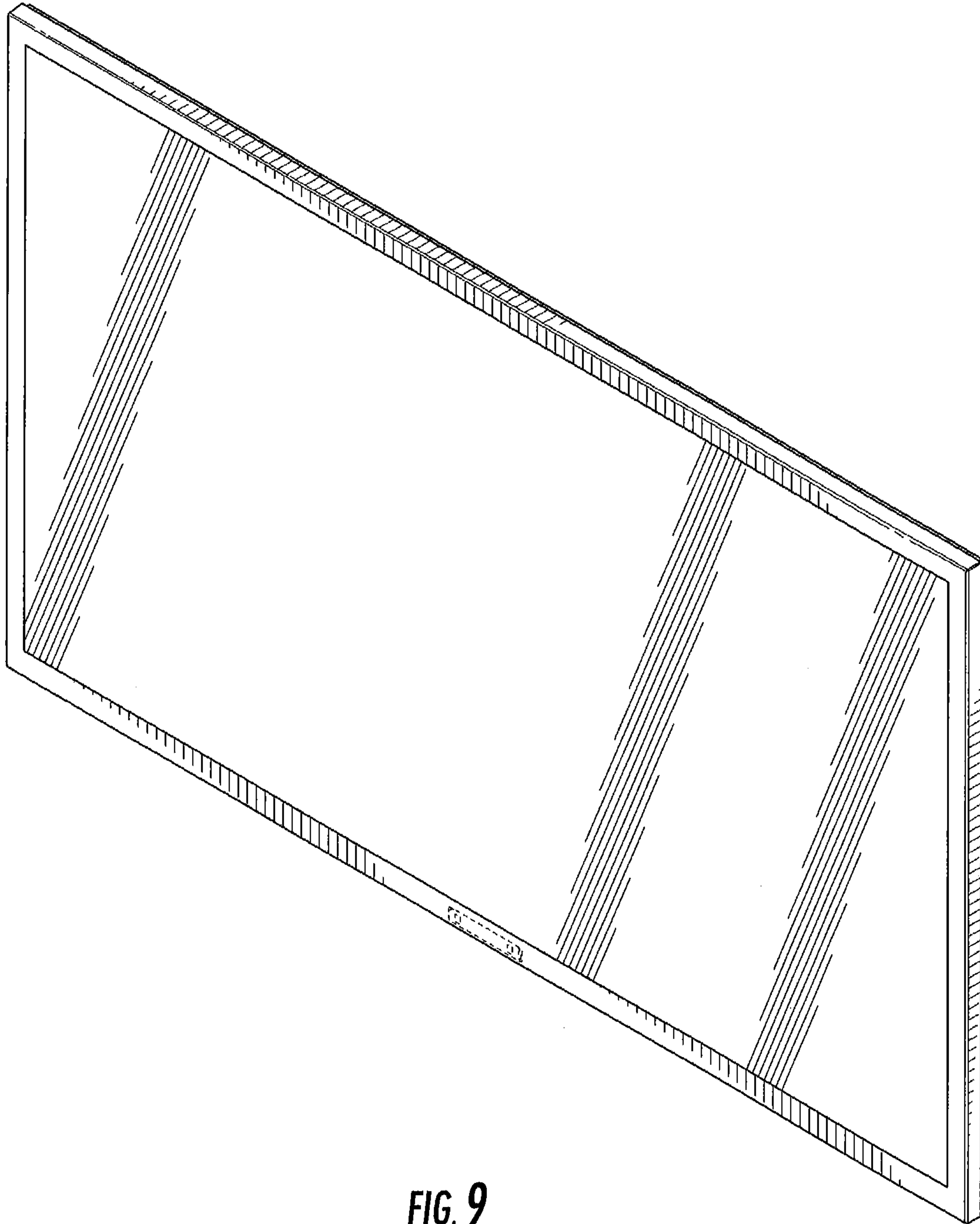


FIG. 9

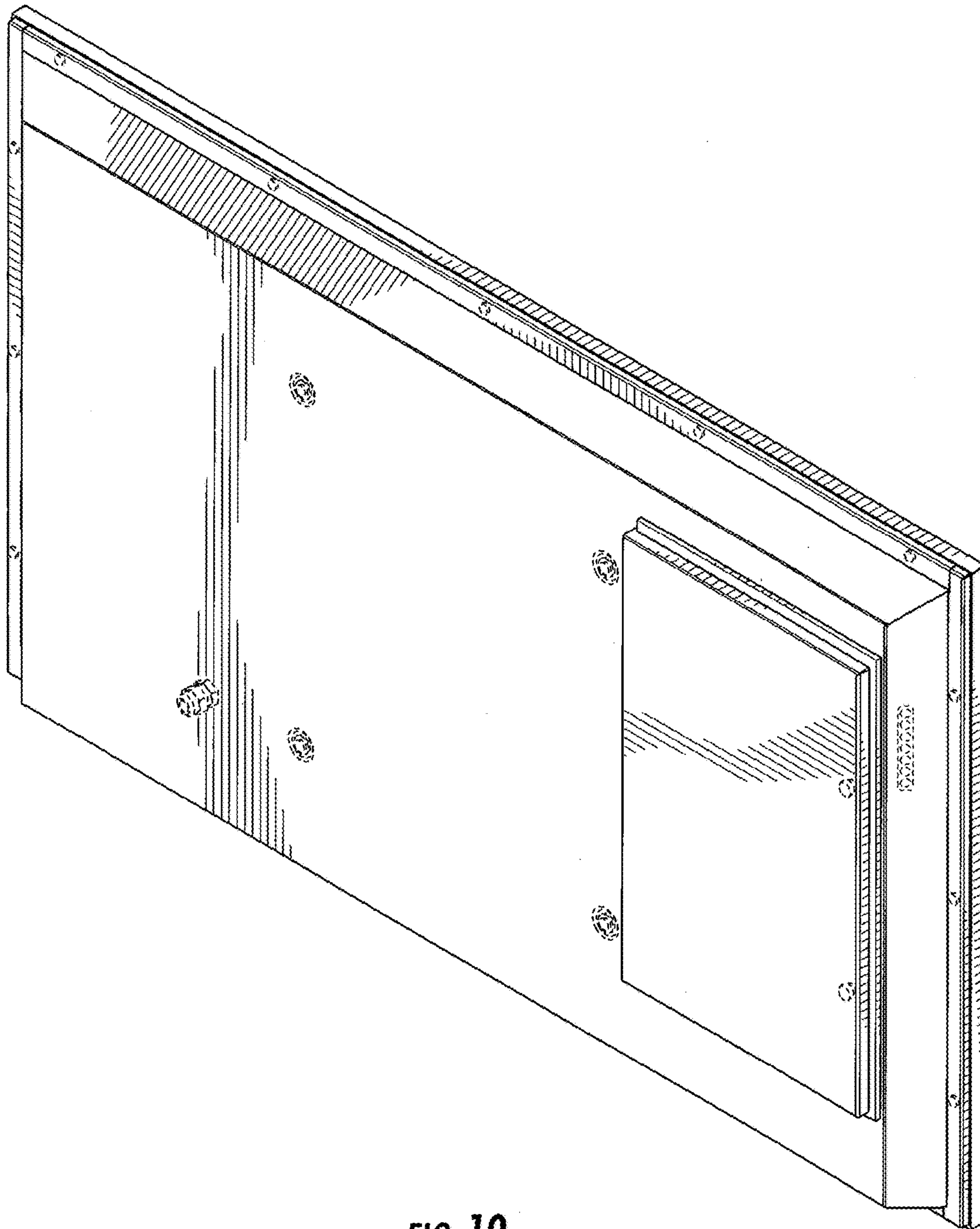


FIG. 10

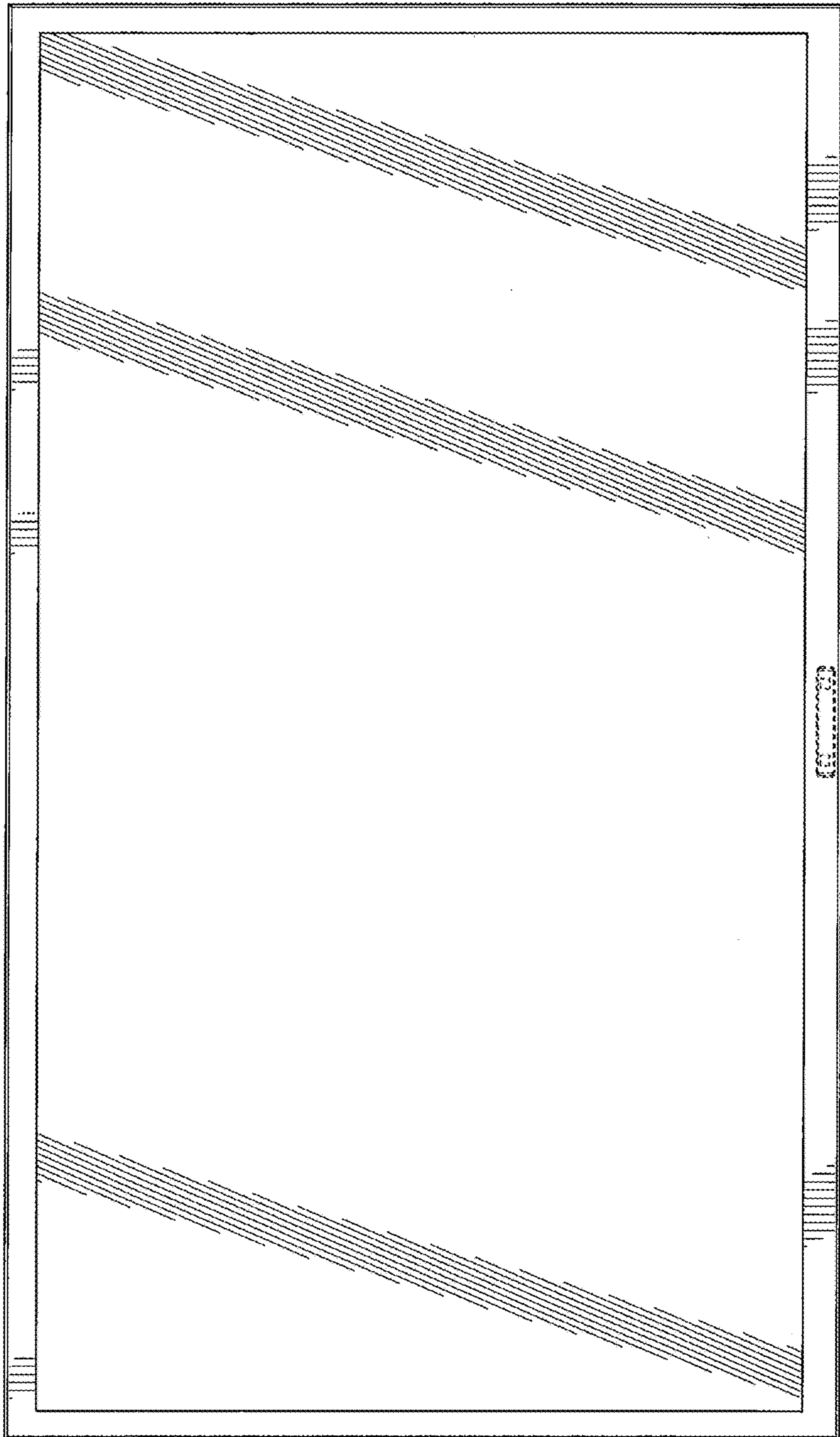
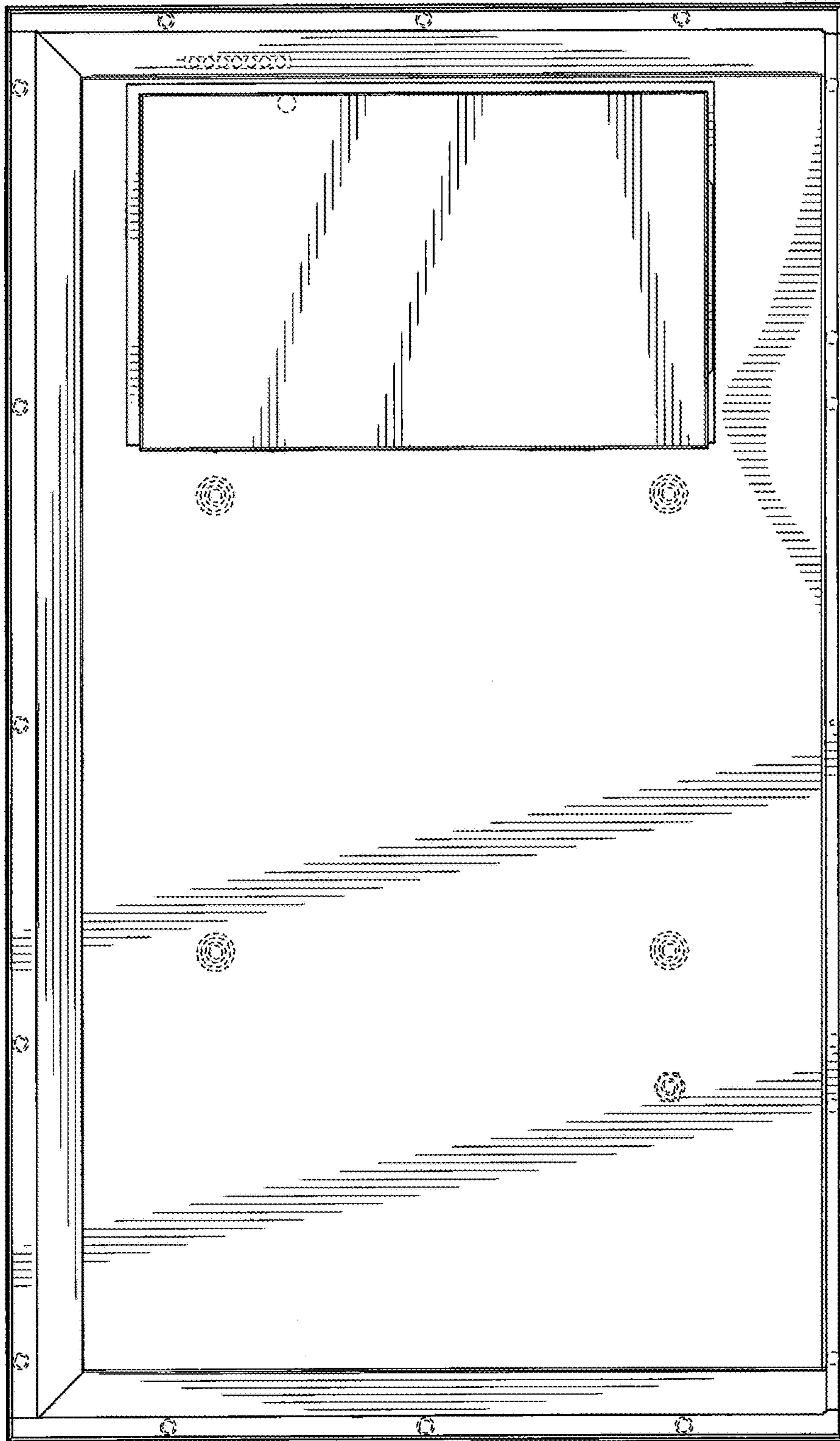


FIG. 11

FIG. 12



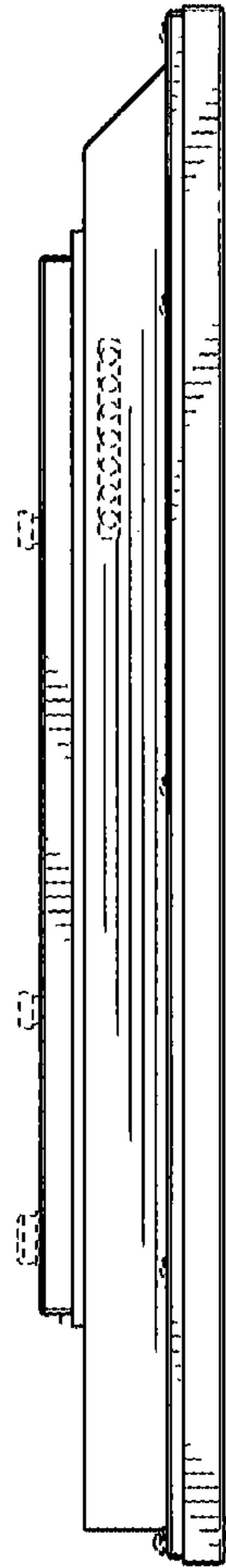


FIG. 13

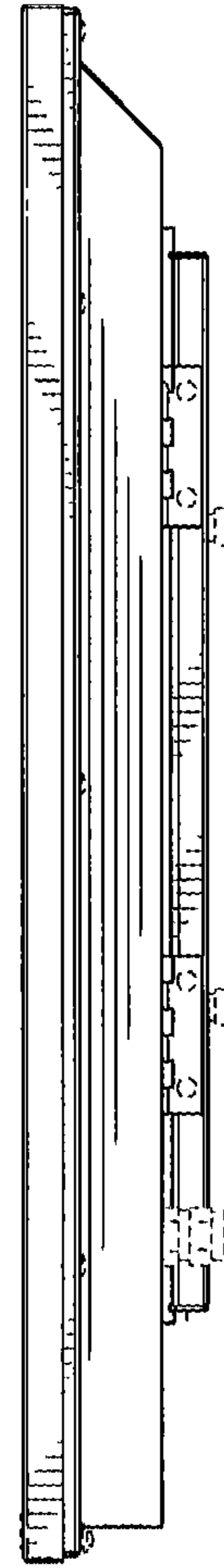


FIG. 14

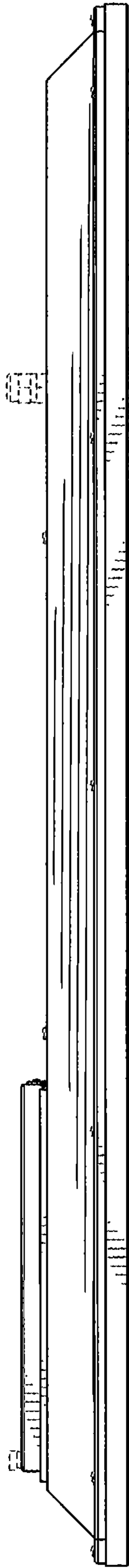


FIG. 15

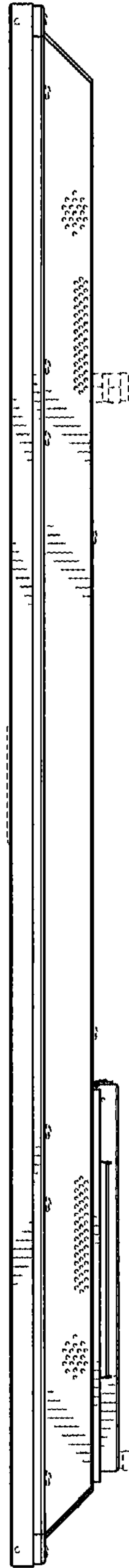


FIG. 16

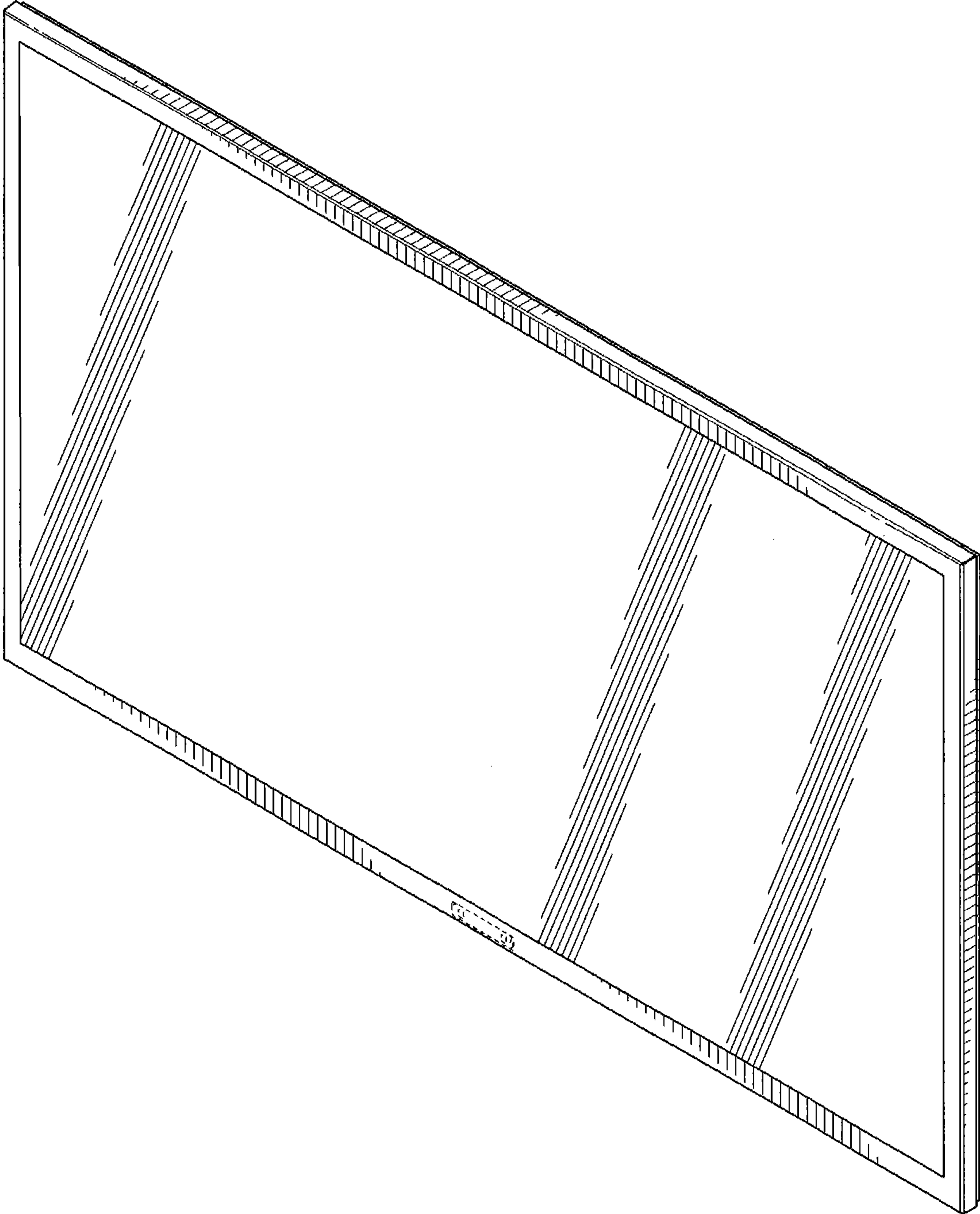


FIG. 17

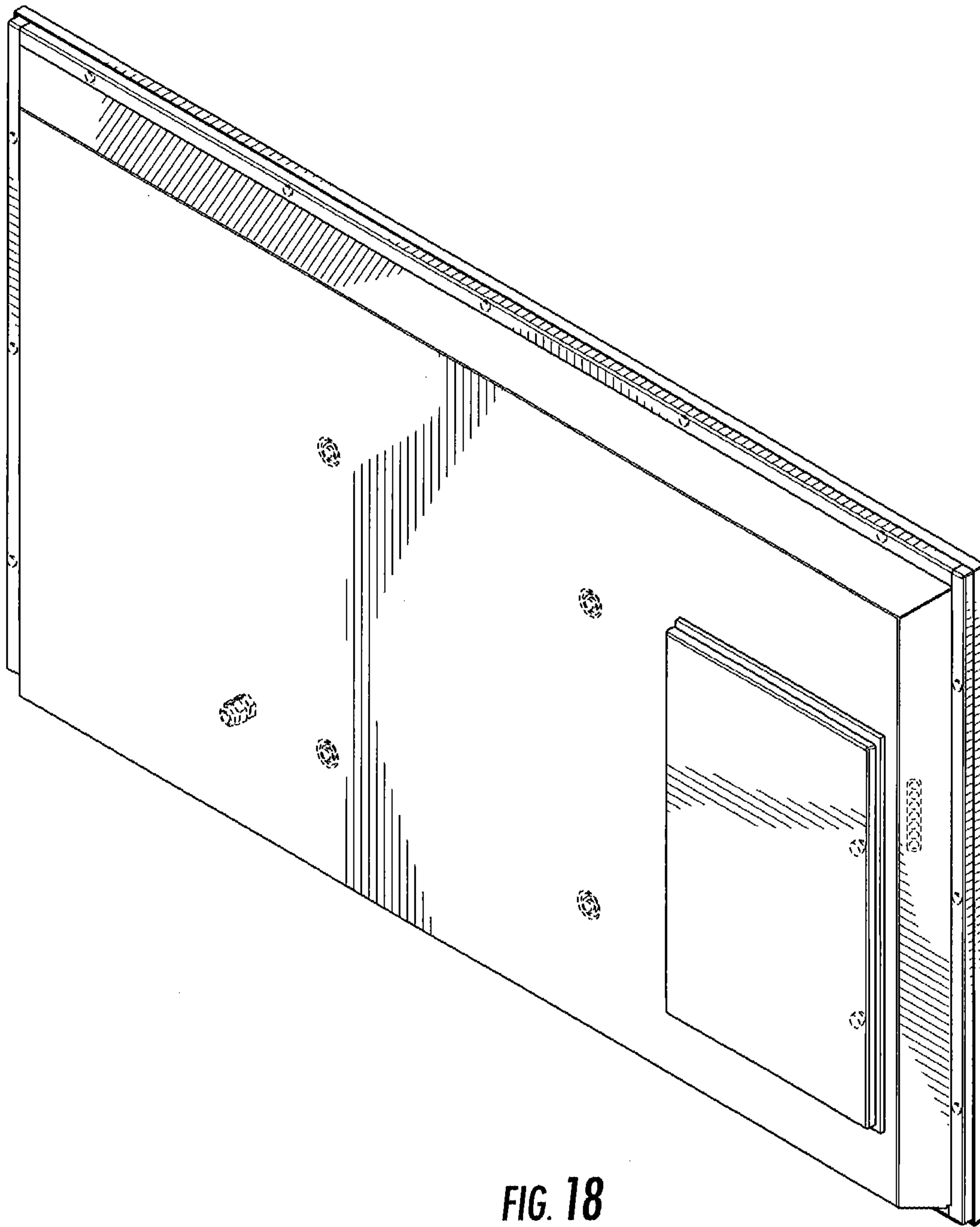


FIG. 18

FIG. 19

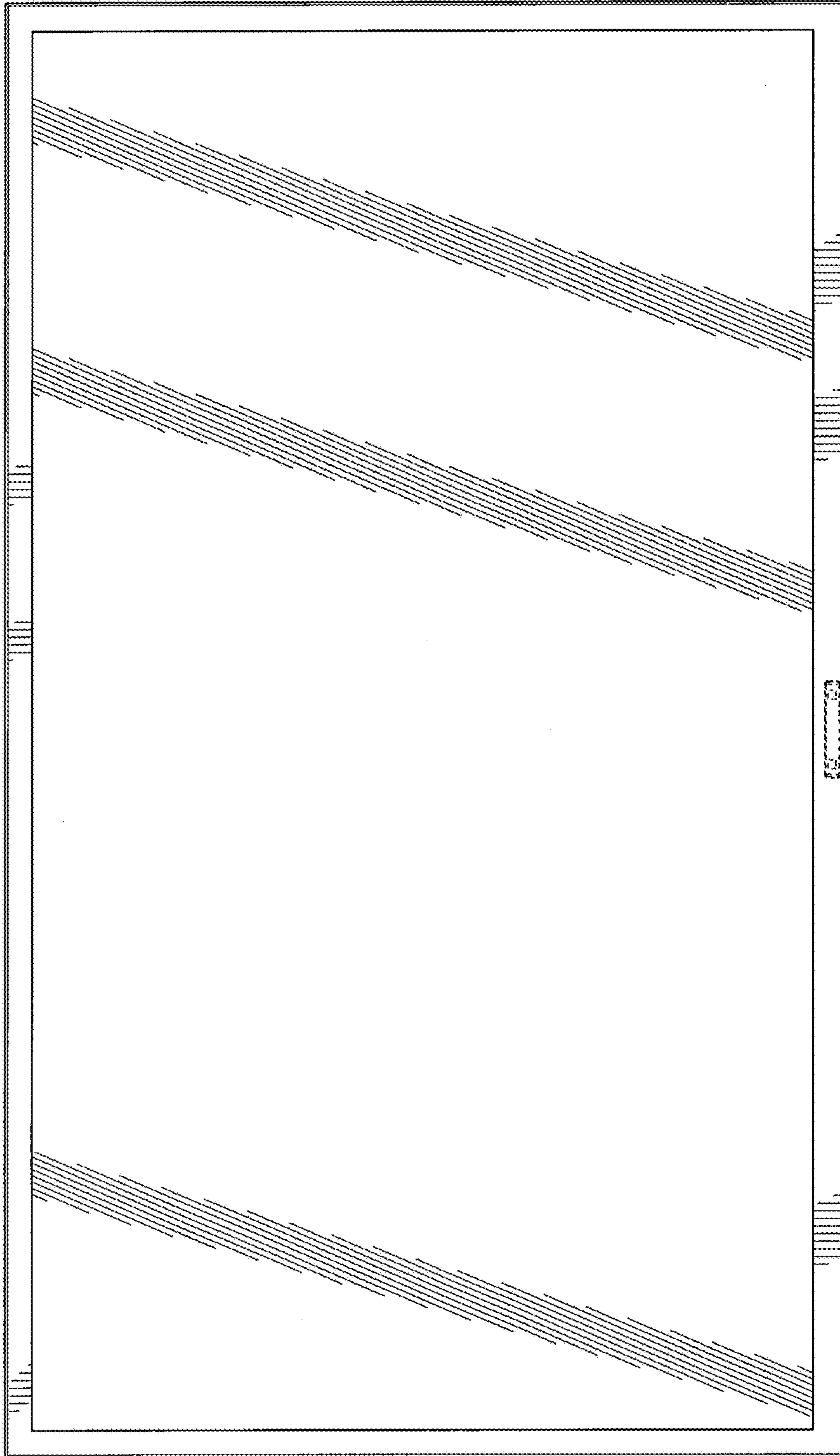
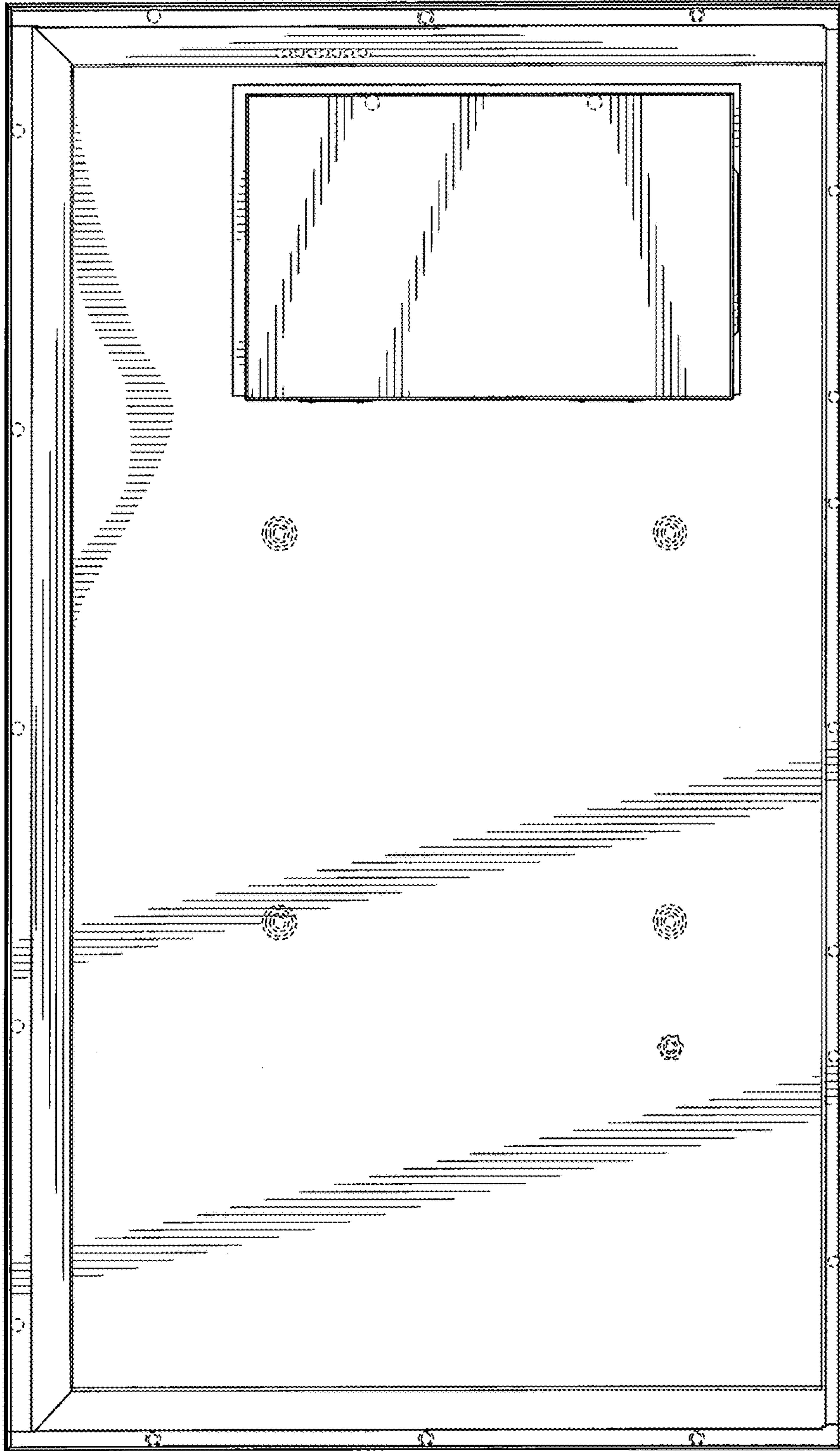


FIG. 20



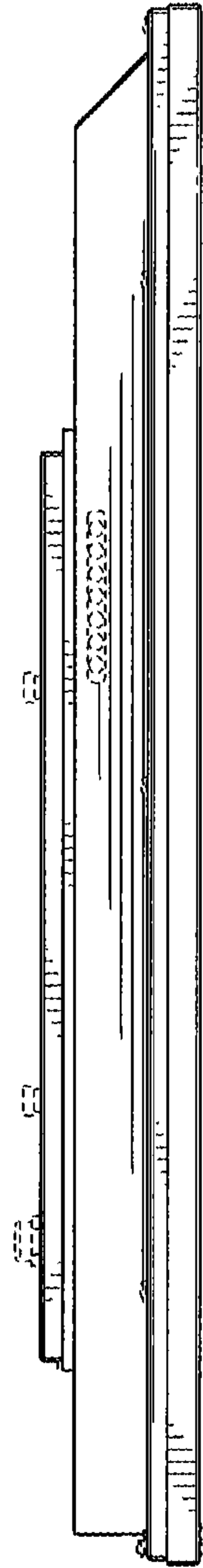


FIG. 21



FIG. 22



FIG. 23

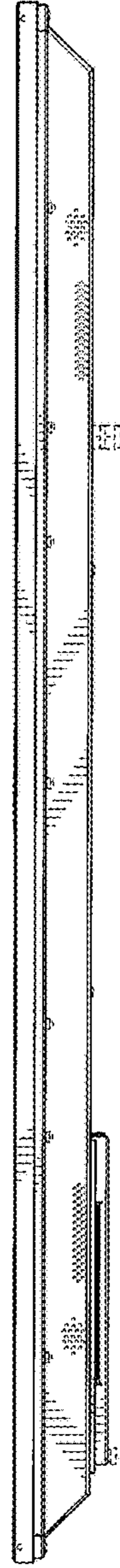


FIG. 24