



US00D805044S

(12) **United States Design Patent**  
**Sakai et al.**

(10) **Patent No.:** **US D805,044 S**

(45) **Date of Patent:** **\*\* Dec. 12, 2017**

(54) **ADHESIVE SHEET FOR SUBSTRATE**

(71) Applicant: **HIRATA CORPORATION**,  
Shinagawa-ku (JP)

(72) Inventors: **Tetsuya Sakai**, Tokyo (JP); **Hideki Sakaue**, Tokyo (JP)

(73) Assignee: **HIRATA CORPORATION**,  
Shinagawa-ku (JP)

(\*\*) Term: **15 Years**

(21) Appl. No.: **29/544,216**

(22) Filed: **Oct. 30, 2015**

(51) **LOC (10) Cl.** ..... **13-03**

(52) **U.S. Cl.**  
USPC ..... **D13/182**

(58) **Field of Classification Search**  
USPC ..... D13/182, 118, 121, 123, 154, 155, 173,  
D13/177-179, 184, 199; D8/300, 303,  
D8/307, 349, 353, 354, 364, 371,  
D8/380-382, 396, 400, 499  
CPC .... B23B 3/00; B23B 3/06; B23B 3/24; B23B  
7/12; B25J 11/00; B25J 15/00; C09J  
7/02; H01L 21/687; H01L 21/00; H01L  
21/66; H01L 21/67; H01L 21/68; H01L  
31/00; H01L 31/02; H01L 31/0201; H01L  
31/02167; H01L 31/022441; H01L  
31/068; H01L 31/18; A47G 1/16; A47G  
29/02; F16L 3/08; F16M 13/02; C23C  
14/50; G03B 27/58; G03F 7/20; H05K  
13/00

See application file for complete search history.

(56) **References Cited**

**U.S. PATENT DOCUMENTS**

D246,949 S \* 1/1978 Davis ..... D8/300  
D256,529 S \* 8/1980 Van Koert ..... D6/570  
D295,521 S \* 5/1988 Mockett ..... D13/155

4,971,676 A \* 11/1990 Doue ..... C23C 14/50  
118/503  
D322,389 S \* 12/1991 Harmon ..... D8/371  
D357,405 S \* 4/1995 Philippi ..... D6/567  
D442,076 S \* 5/2001 Swanson ..... D8/373  
6,698,144 B1 \* 3/2004 Larson ..... E04B 1/765  
52/202  
D518,186 S \* 3/2006 Zarb ..... D25/119  
D529,630 S \* 10/2006 Zarb ..... D25/119

(Continued)

**OTHER PUBLICATIONS**

Stas J-Rail Max, dated Aug. 9, 2013, [online], [site visited Aug. 4, 2017]. Available from Internet, <URL: <https://www.picturehangingsystems.com/stas-j-rail-max.html#tab-product2>>.\*

(Continued)

*Primary Examiner* — Thomas Johannes

*Assistant Examiner* — Shawn T Gingrich

(74) *Attorney, Agent, or Firm* — Oblon, McClelland,  
Maier & Neustadt, L.L.P.

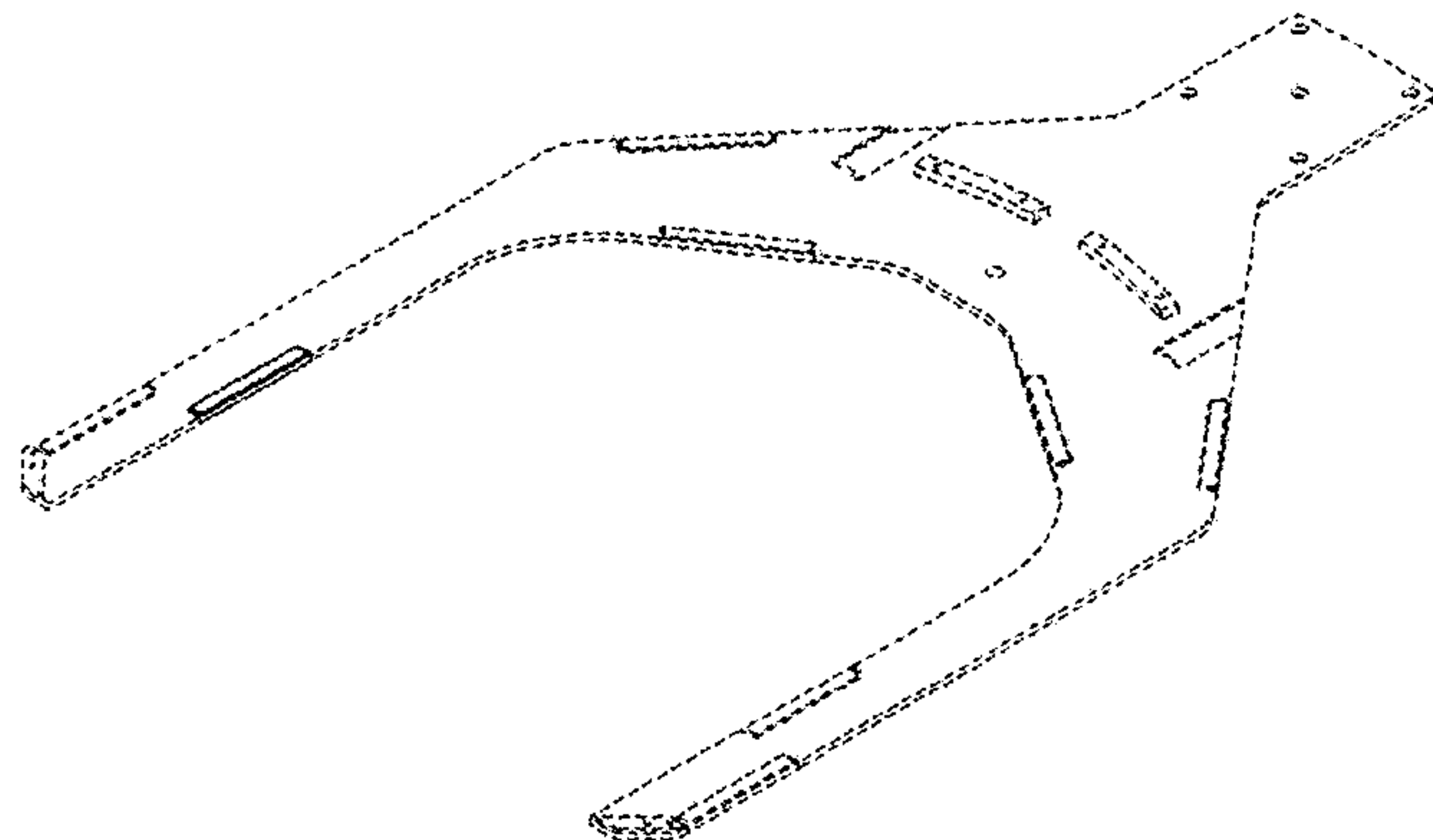
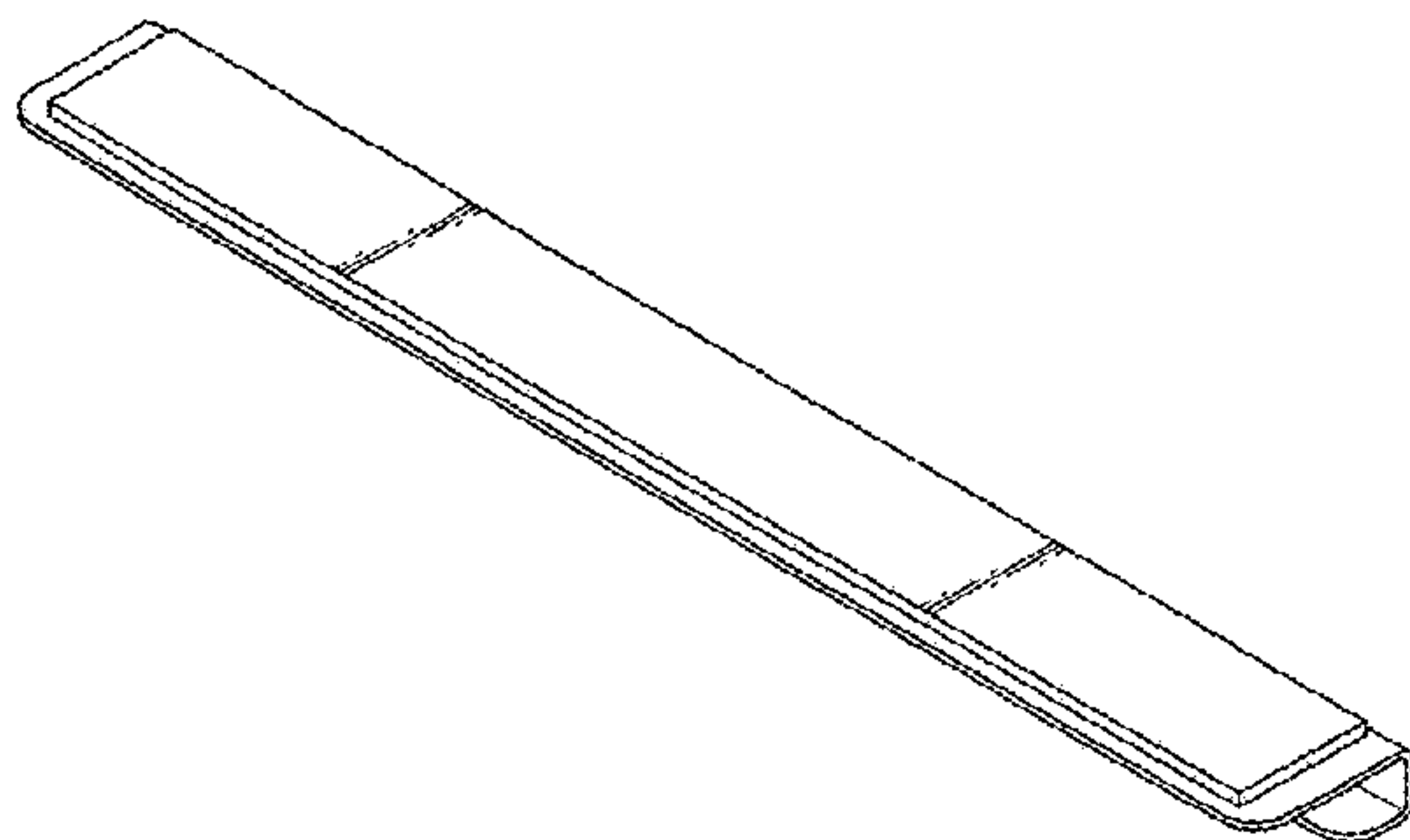
(57) **CLAIM**

The ornamental design for the adhesive sheet for substrate, as shown and described.

**DESCRIPTION**

FIG. 1 is a perspective view of the front, top and right side of the adhesive sheet for substrate showing our new design; FIG. 2 is a front view thereof; FIG. 3 is a rear view thereof; FIG. 4 is a right side view thereof; FIG. 5 is a left side view thereof; FIG. 6 is a top plan view thereof; FIG. 7 is a bottom view thereof; and, FIG. 8 is a perspective view showing usage status thereof. The broken line showing of the adhesive sheet for substrate is included for the purpose of illustrating portions of the adhesive sheet for substrate and forms no part of the claimed design.

**1 Claim, 4 Drawing Sheets**



(56)

**References Cited**

## U.S. PATENT DOCUMENTS

D572,311 S \* 7/2008 Curless ..... D19/91  
D665,759 S \* 8/2012 Sato ..... D13/199  
D666,979 S \* 9/2012 Teramoto ..... D13/199  
D688,201 S \* 8/2013 Mecca ..... D13/108  
D711,556 S \* 8/2014 Singh ..... D25/119  
D764,075 S \* 8/2016 Honda ..... D25/119  
D768,879 S \* 10/2016 Mumford, Sr. .... D25/119  
D769,459 S \* 10/2016 Mumford, Sr. .... D25/119  
D769,461 S \* 10/2016 Mumford, Sr. .... D25/119  
D787,090 S \* 5/2017 Mowers ..... D25/119  
D790,080 S \* 6/2017 Mumford, Sr. .... D25/119  
2017/0144313 A1 \* 5/2017 Sakai ..... B25J 11/0095  
2017/0211743 A1 \* 7/2017 Yanyk ..... F16M 13/02

## OTHER PUBLICATIONS

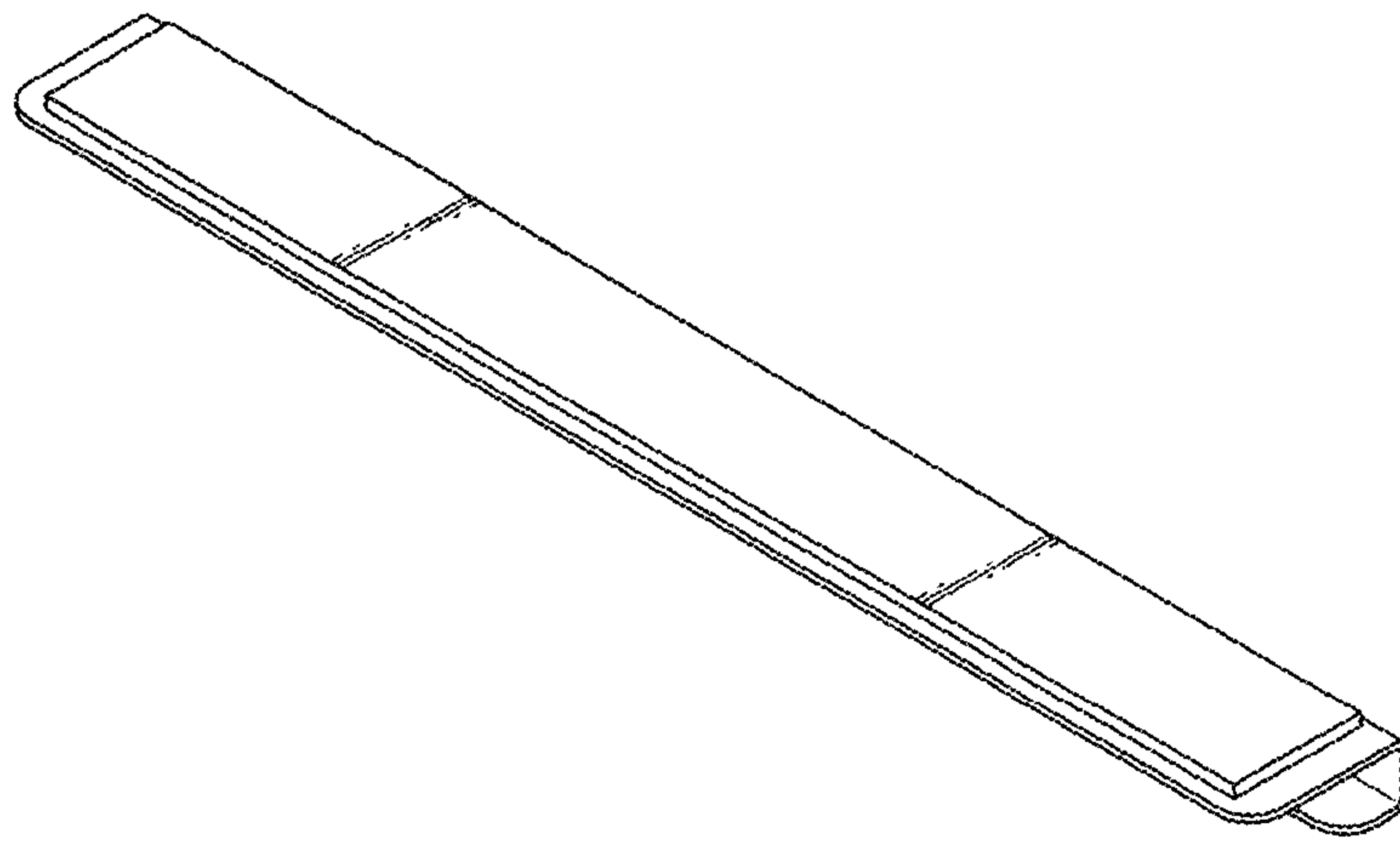
Trim-Lok Drip Rail, dated Aug. 17, 2011, [online], [site visited Aug. 4, 2017]. Available from Internet, <URL: <https://vimeo.com/27825861>>.\*

How to Build Picture Ledges with Ana White, dated Jan. 25, 2012, [online], [site visited Aug. 4, 2017]. Available from Internet, <URL: [https://www.youtube.com/watch?time\\_continue=4&v=9F5wr-cmaIM](https://www.youtube.com/watch?time_continue=4&v=9F5wr-cmaIM)>.\*

Large Hook Channel Cable Raceway, dated Sep. 1, 2015, [online], [site visited Aug. 4, 2017]. Available from Internet, <URL: <https://www.amazon.com/Large-Hook-Channel-Cable-Raceway/dp/B004ILS0WW>>.\*

\* cited by examiner

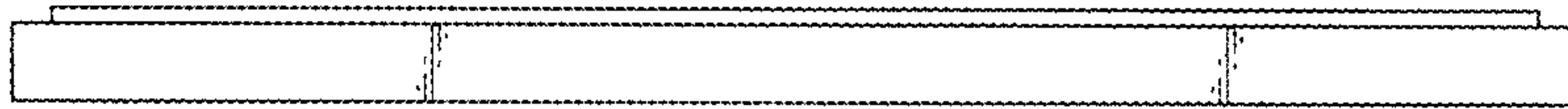
**FIG. 1**



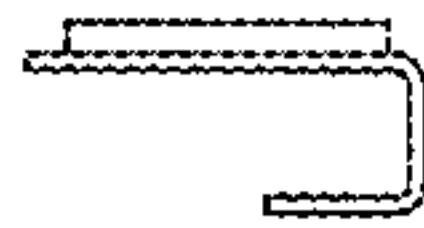
**FIG. 2**



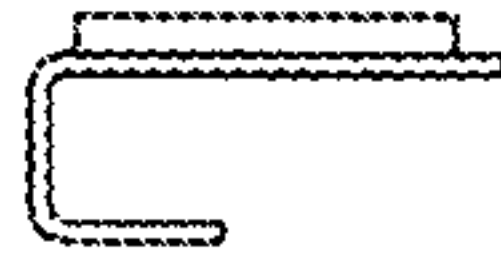
**FIG. 3**



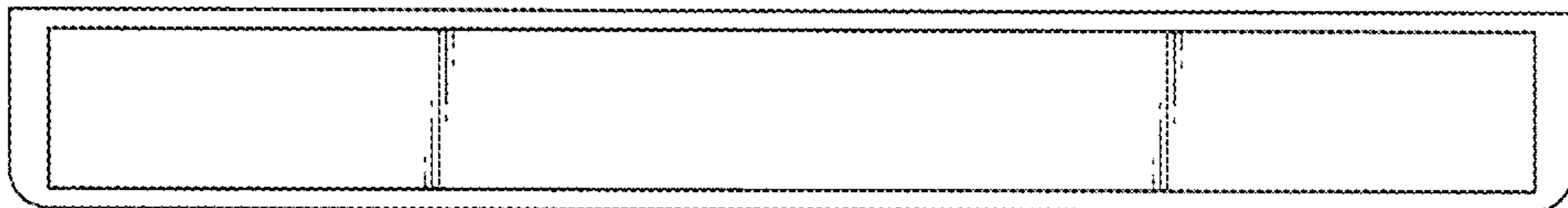
**FIG. 4**



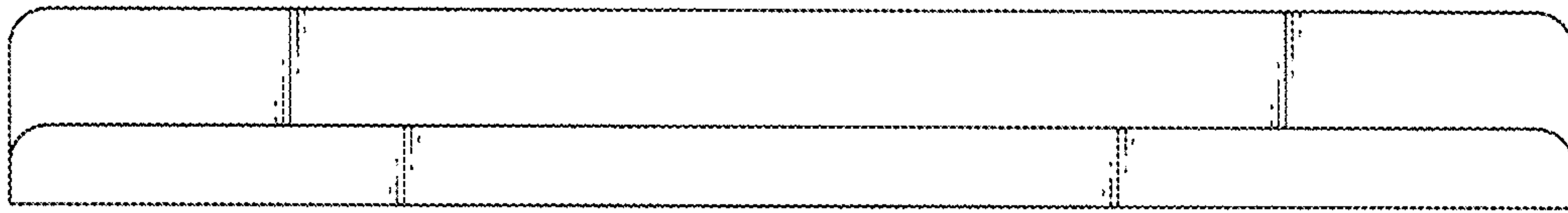
**FIG. 5**



**FIG. 6**



**FIG. 7**



**FIG. 8**

