



US00D805043S

(12) **United States Design Patent** (10) **Patent No.:** **US D805,043 S**  
**Mira et al.** (45) **Date of Patent:** **\*\* Dec. 12, 2017**

(54) **HEATSINK FOR OPTICAL MODULES**  
(71) Applicant: **HEATSCAPE.COM, INC.**, Morgan Hill, CA (US)  
(72) Inventors: **Ali Mira**, Morgan Hill, CA (US); **Yashar Mira**, Morgan Hill, CA (US); **Michael Mira**, Morgan Hill, CA (US)  
(73) Assignee: **HEATSCAPE.COM, INC.**, Morgan Hill, CA (US)  
(\*\*) Term: **15 Years**  
(21) Appl. No.: **29/555,487**  
(22) Filed: **Feb. 22, 2016**  
(51) **LOC (10) Cl.** ..... **13-03**  
(52) **U.S. Cl.**  
USPC ..... **D13/179**  
(58) **Field of Classification Search**  
USPC ..... D13/179, 122, 182  
CPC .. H05K 7/20; H05K 7/20172; H05K 7/20127; H05K 7/20336; H05K 7/20154; H05K 7/20272; H01L 23/34; H01L 23/3672; H01L 23/40; H01L 23/4006; H01L 23/4093; H01L 23/427; H01L 23/46; F28D 15/0275; F28D 1/0426; F28D 15/0208; F28D 15/04; F28F 1/30; F28F 2215/00; G06F 1/20  
See application file for complete search history.

D717,745 S \* 11/2014 Schubert ..... D13/179  
D722,574 S \* 2/2015 Mira ..... D13/179  
D747,278 S \* 1/2016 Murphy ..... D13/179  
2002/0093789 A1\* 7/2002 Sloan ..... H01L 23/4093  
361/679.54  
2003/0121643 A1\* 7/2003 Connors ..... F28D 15/0233  
165/80.3  
2013/0014920 A1\* 1/2013 Chao ..... F28D 15/0275  
165/104.26  
2014/0202666 A1\* 7/2014 Cheng ..... F28F 3/06  
165/104.26  
2015/0219400 A1\* 8/2015 Sasaki ..... H01L 23/427  
165/104.26  
2017/0097195 A1\* 4/2017 Yu ..... F28D 15/04

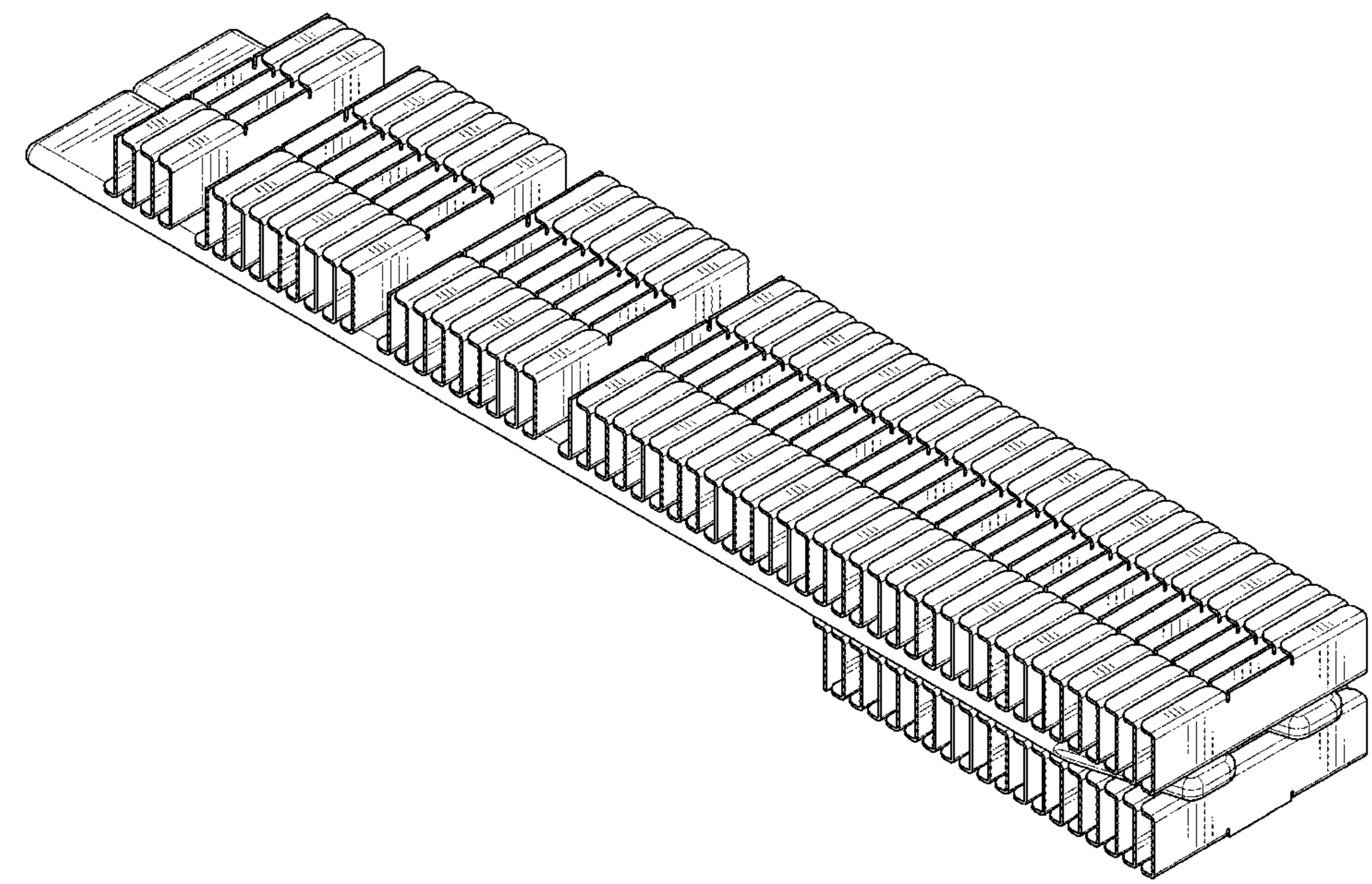
\* cited by examiner  
*Primary Examiner* — Jennifer Rivard  
*Assistant Examiner* — April Rivas  
(74) *Attorney, Agent, or Firm* — Kilpatrick Townsend & Stockton LLP

(57) **CLAIM**  
The ornamental design for a heatsink for optical modules, as shown and described.

**DESCRIPTION**  
FIG. 1 is an enlarged top perspective view of a heatsink for optical modules showing our new design; FIG. 2 is a rear elevational view thereof; FIG. 3 is a front elevational view thereof; FIG. 4 is a left side elevational view thereof; FIG. 5 is a right side elevational view thereof; FIG. 6 is a top plan view thereof; FIG. 7 is a bottom plan view thereof; FIG. 8 is an enlarged bottom perspective view thereof; and, FIG. 9 is a disassembled view corresponding to FIG. 1.

**1 Claim, 8 Drawing Sheets**

(56) **References Cited**  
U.S. PATENT DOCUMENTS  
D673,515 S \* 1/2013 Corbin ..... D13/182  
D698,740 S \* 2/2014 Schubert ..... D13/179  
D715,750 S \* 10/2014 Mira ..... D13/179



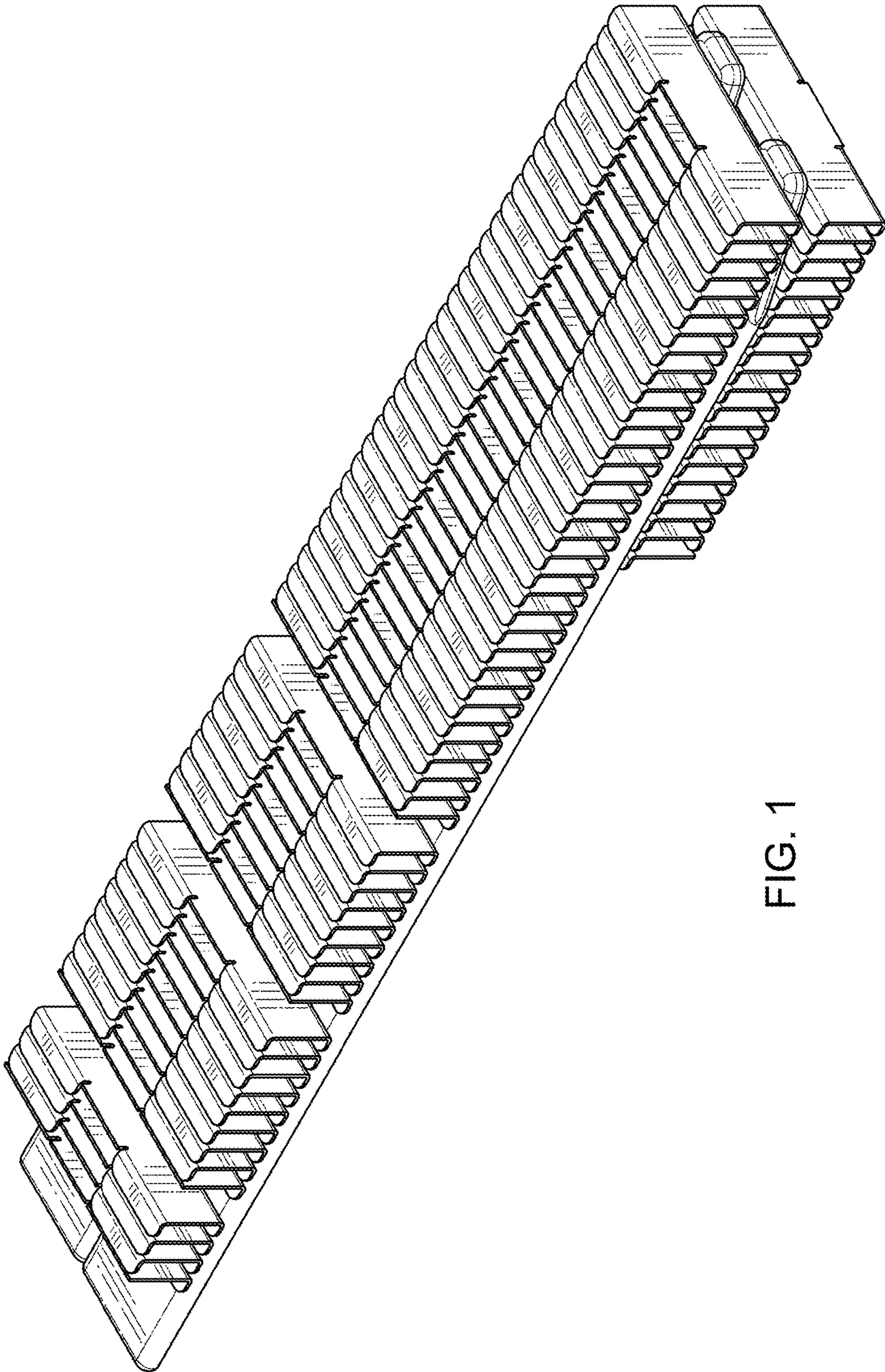


FIG. 1

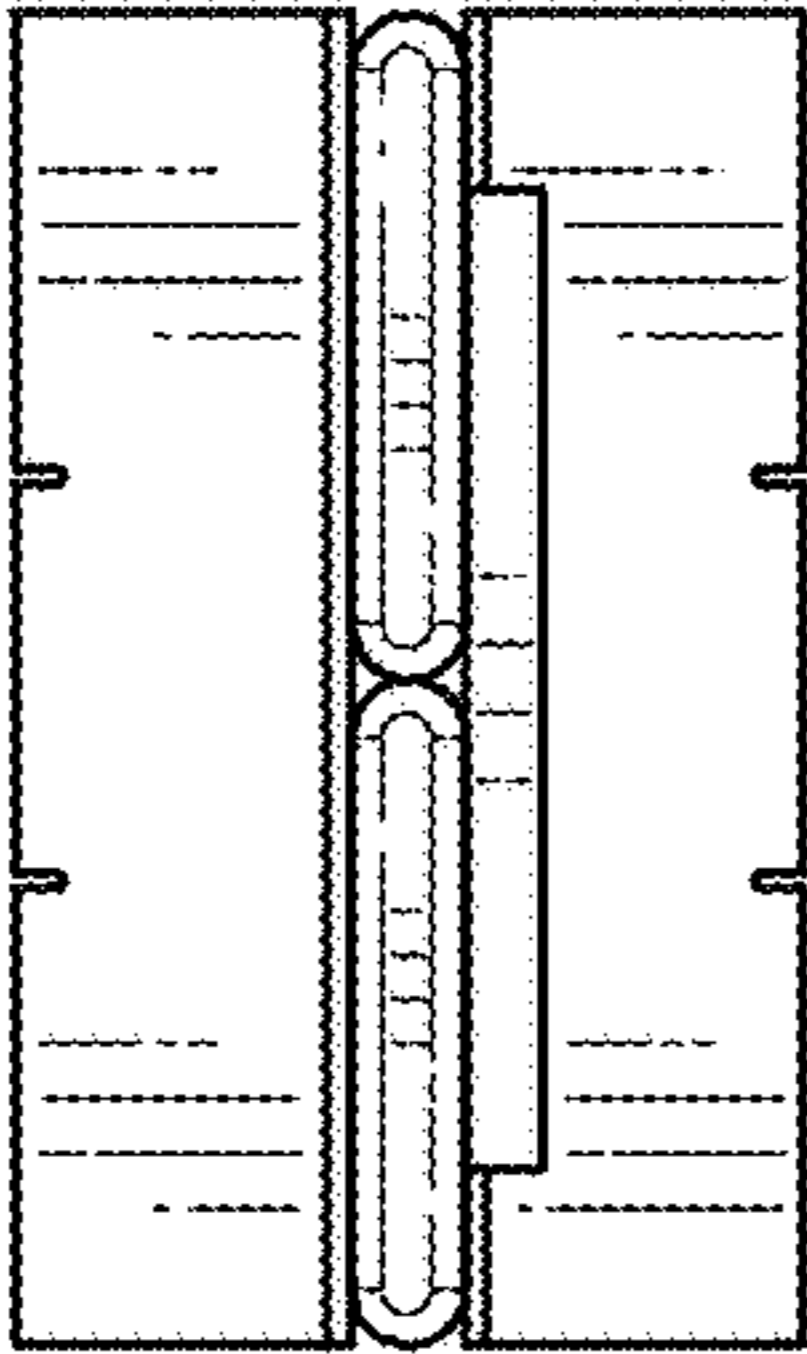


FIG. 2

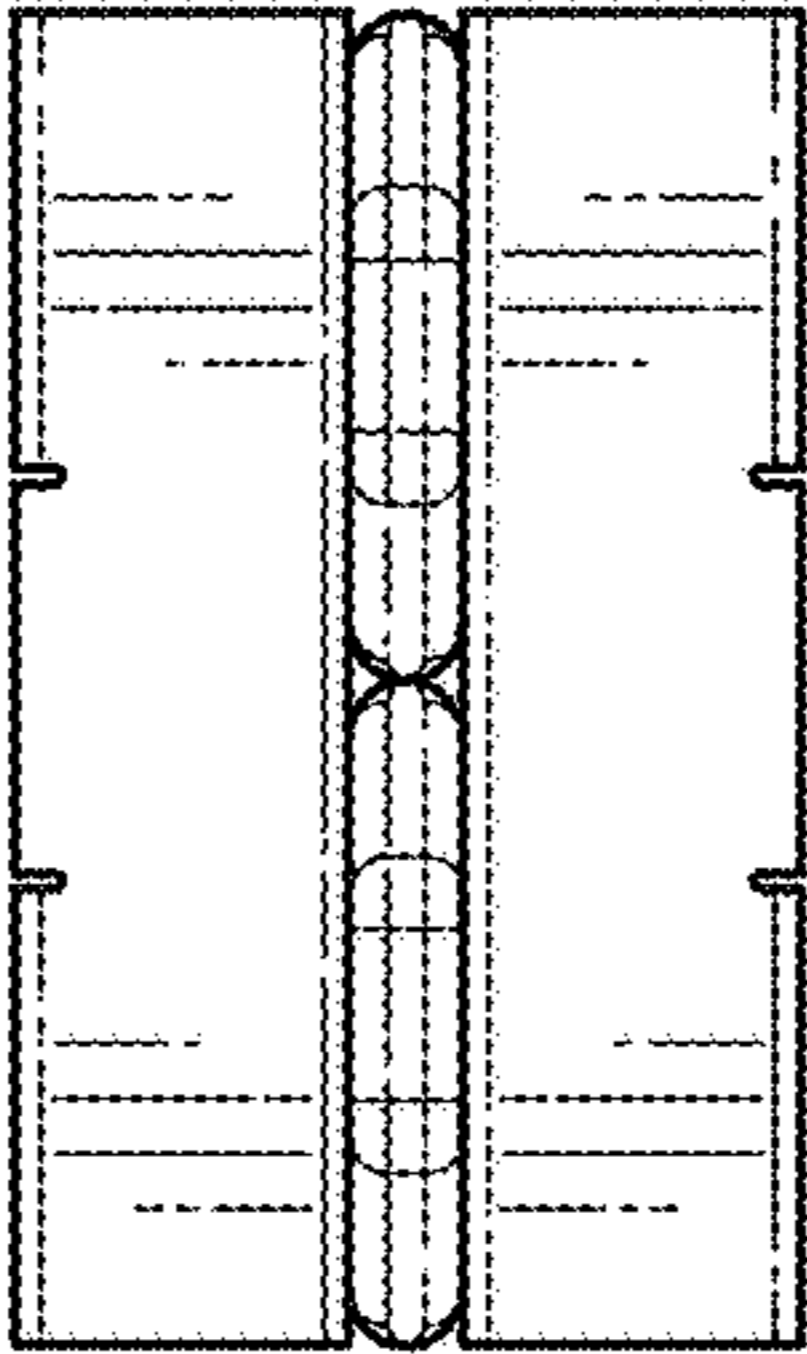


FIG. 3

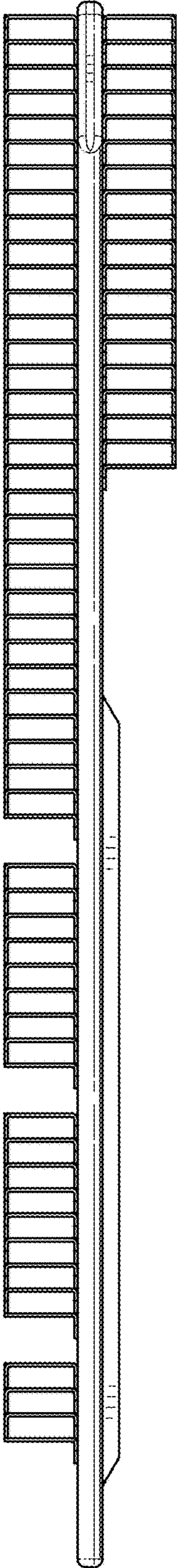


FIG. 4

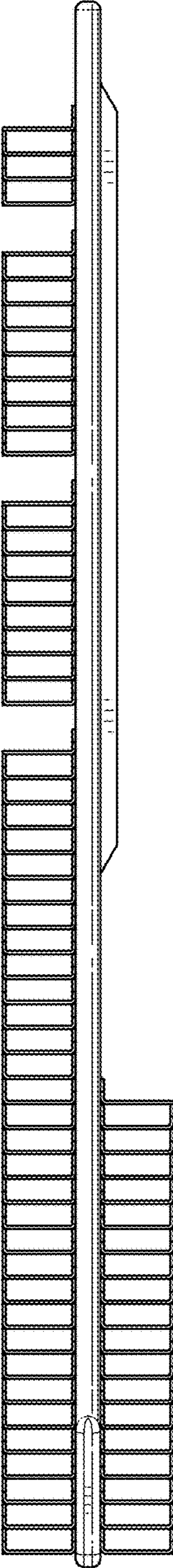


FIG. 5

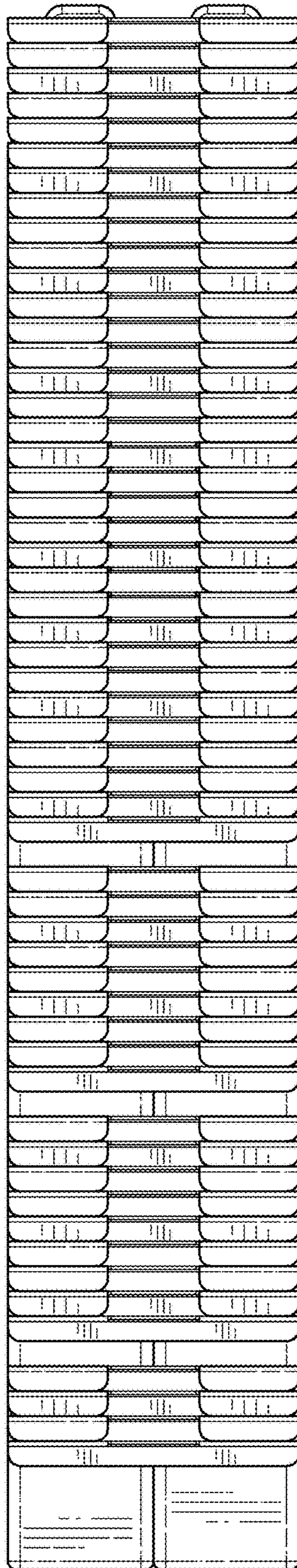


FIG. 6

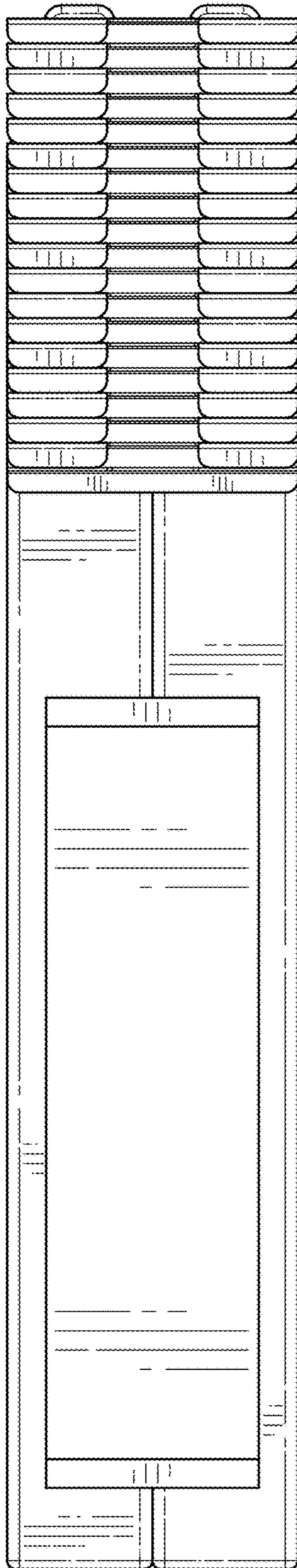


FIG. 7

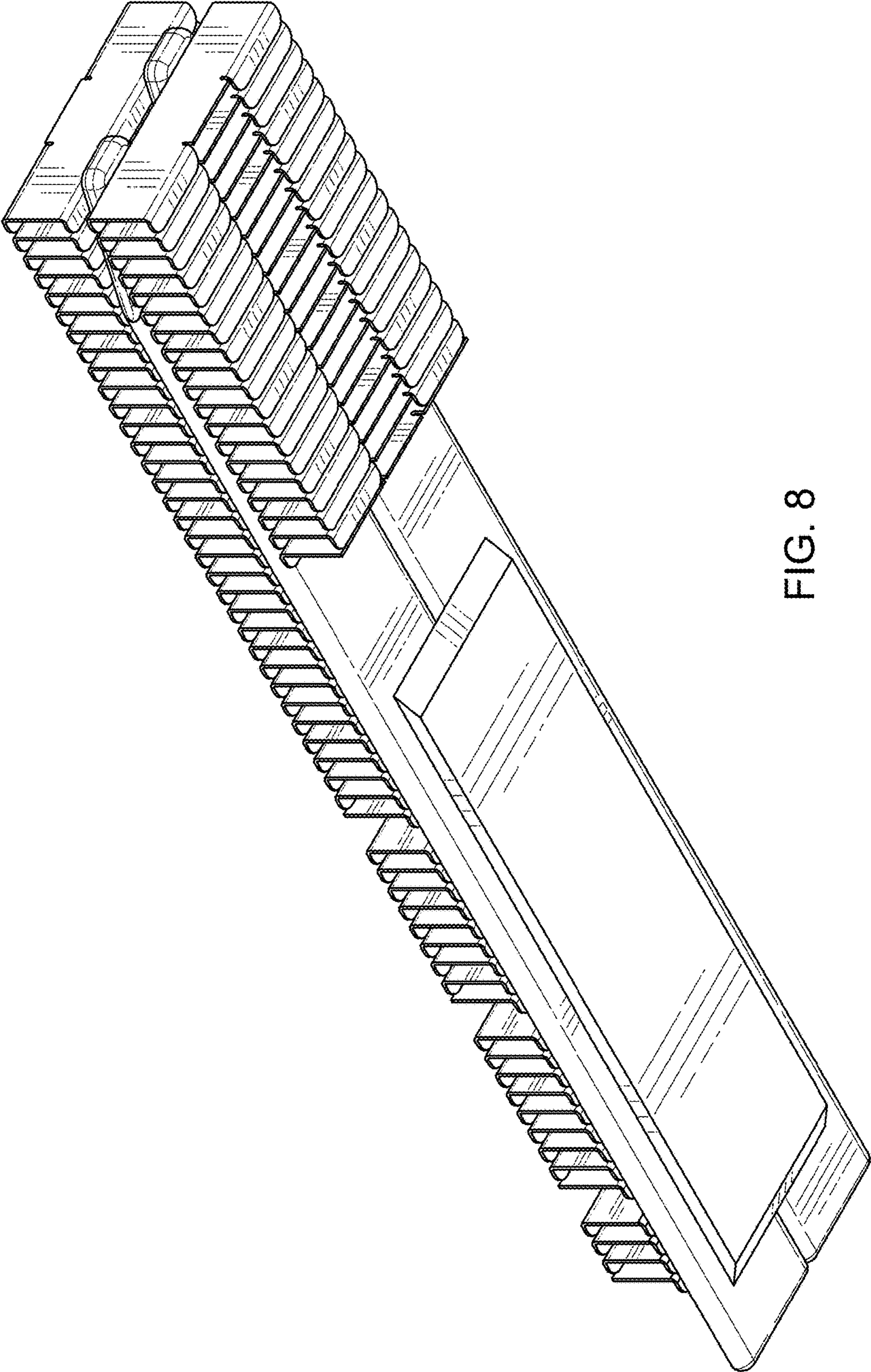


FIG. 8



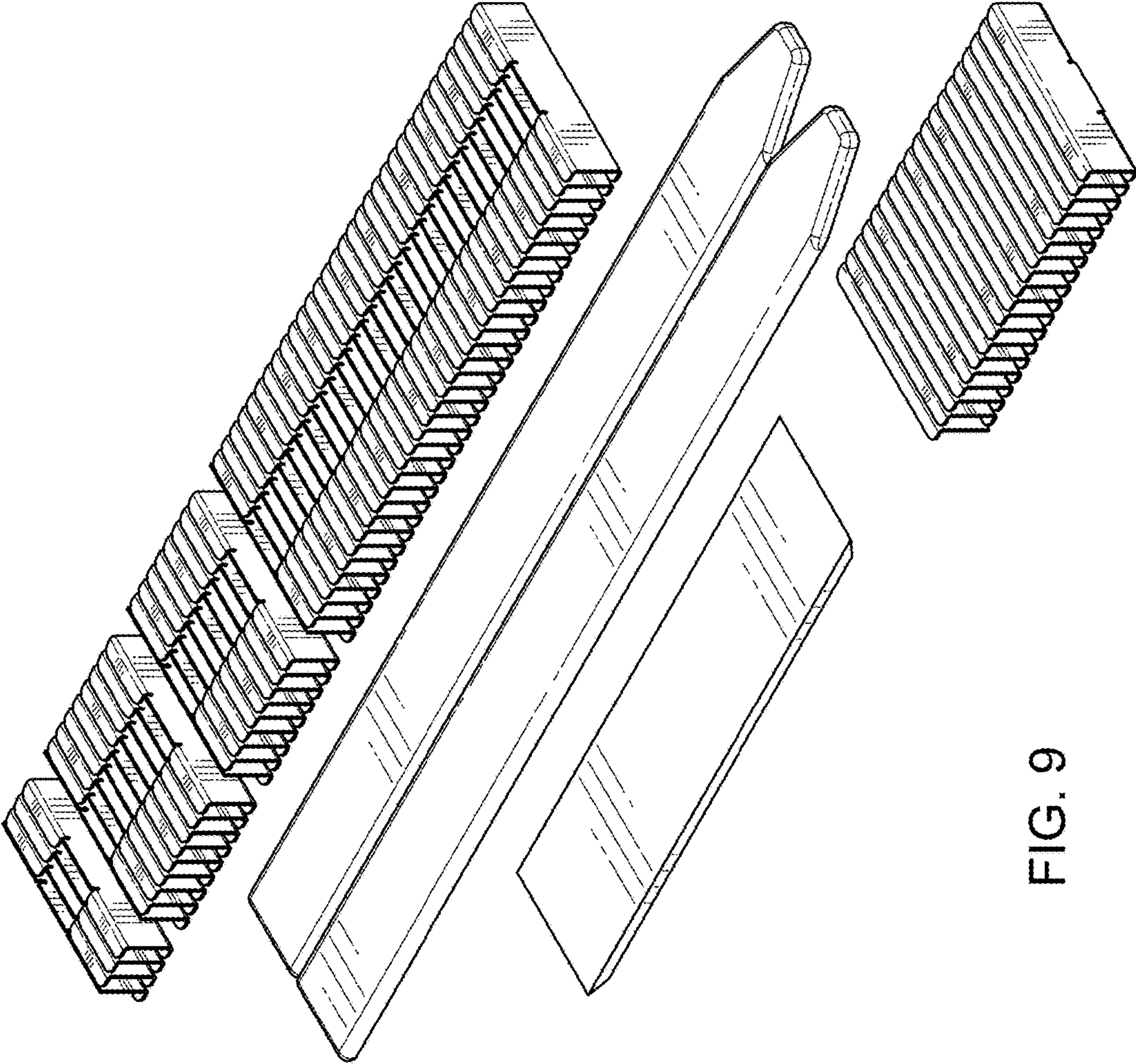


FIG. 9