



US00D805041S

(12) **United States Design Patent**
Koskinen

(10) **Patent No.:** **US D805,041 S**

(45) **Date of Patent:** **** Dec. 12, 2017**

(54) **NETWORK CONNECTED INTERACTIVE
PUSH BUTTON**

(71) Applicant: **The Button Corporation Oy**, Helsinki
(FI)

(72) Inventor: **Harri Koskinen**, Helsinki (FI)

(73) Assignee: **The Button Corporation Oy**, Helsinki
(FI)

(**) Term: **14 Years**

(21) Appl. No.: **29/509,187**

(22) Filed: **Nov. 14, 2014**

(30) **Foreign Application Priority Data**

May 15, 2014 (EM) 001412902-0001
May 15, 2014 (EM) 001412902-0002

(51) **LOC (10) Cl.** **13-03**

(52) **U.S. Cl.**
USPC **D13/171**

(58) **Field of Classification Search**

USPC D9/434, 436, 454; D10/106.1, 118.2;
D13/171, 174, 177; D19/100; D21/722,
D21/812; D23/213, 250; D28/82
CPC H01H 13/06; H01H 13/10; H01H 13/063;
H01H 13/86; H01H 2223/004
See application file for complete search history.

(56) **References Cited**

U.S. PATENT DOCUMENTS

D300,528 S * 4/1989 Drane D13/171
D305,022 S * 12/1989 Hallgren D13/171
D460,218 S * 7/2002 Thorpe D28/82
D501,652 S * 2/2005 Pierson D13/171
D537,480 S * 2/2007 Sullivan D19/100
D631,929 S * 2/2011 Doone D19/100

D645,005 S * 9/2011 Menheere D13/171
D658,258 S * 4/2012 Rocco D19/100
D675,097 S * 1/2013 Burke, Jr. D9/436
D681,755 S * 5/2013 Rocco D21/722
D688,946 S * 9/2013 Pirincci D9/454

(Continued)

OTHER PUBLICATIONS

http://www.istockphoto.com/photo/red-emergency-button-gm123496066-4320135?st=_p_push%20button, Sep. 1, 2011.*

(Continued)

Primary Examiner — Susan Bennett Hattan

Assistant Examiner — Camelia H Styles

(74) *Attorney, Agent, or Firm* — Banner & Witcoff, Ltd.

(57) **CLAIM**

The ornamental design for a network connected interactive push button, as shown and described.

DESCRIPTION

FIG. 1 is a perspective top view of a network connected interactive push button showing my new design;

FIG. 2 is a top view thereof;

FIG. 3 is a right side view;

FIG. 4 is a left side view;

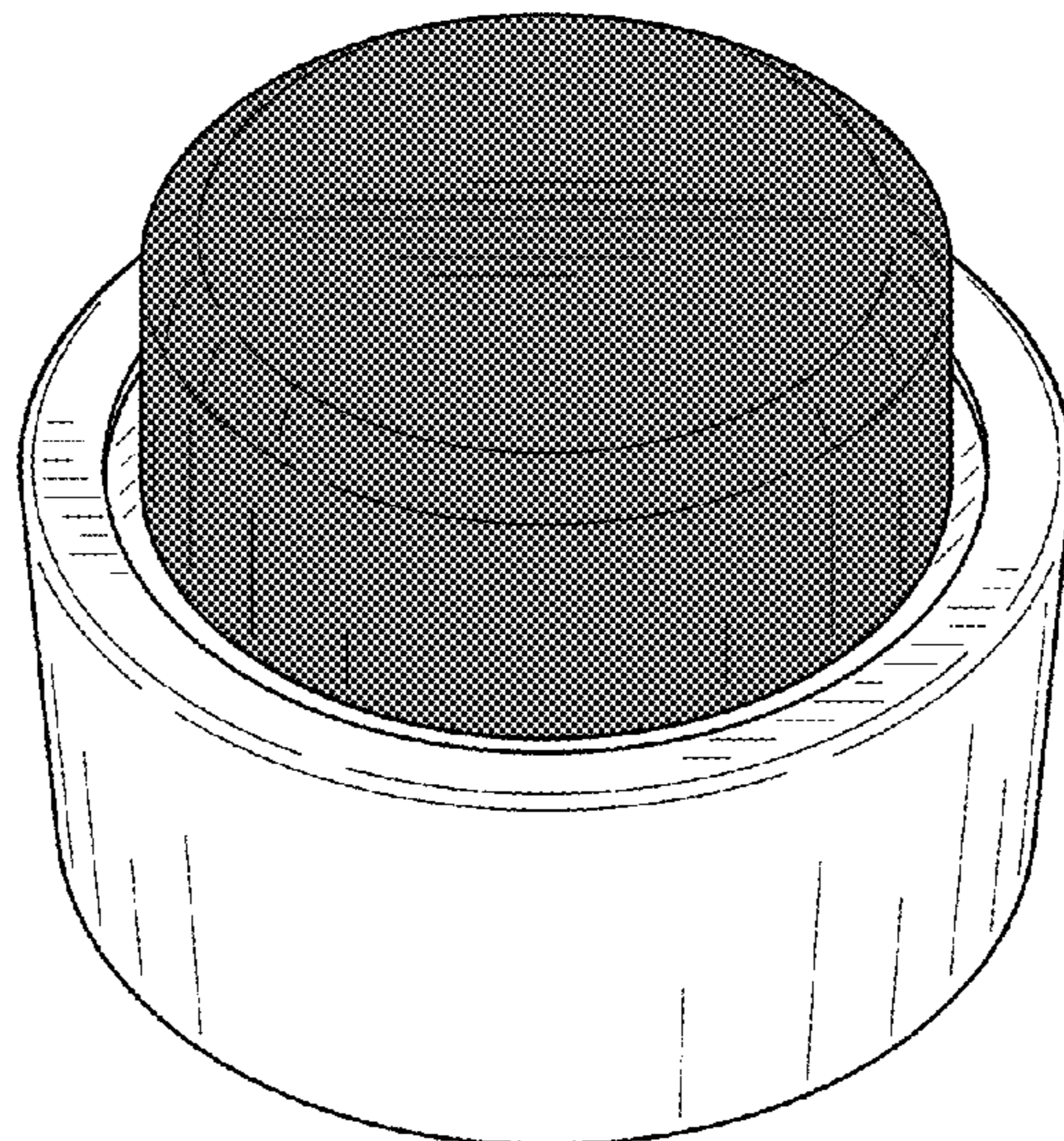
FIG. 5 is a perspective bottom view thereof;

FIG. 6 is a top view of the network connected interactive push button showing one in-use state having one illuminated light segment with radiating lines depicting illumination thereof; and,

FIG. 7 is a top view of the network connected interactive push button showing another in-use state having six illuminated light segments with radiating lines depicting illumination thereof.

The broken line showing in the figures is for environmental purposes only and forms no part of the claimed design. The contrast in shading indicates a contrast of appearance and does not depict any particular color.

1 Claim, 4 Drawing Sheets



(56)

References Cited

U.S. PATENT DOCUMENTS

D689,828 S * 9/2013 Pierson D13/174
D697,674 S * 1/2014 You D28/82
D702,755 S * 4/2014 Bould D16/237
8,759,700 B2 * 6/2014 Yashima H01H 13/06
200/302.2
D711,739 S * 8/2014 Priebe D9/435
D743,506 S * 11/2015 Spinelli D23/250
D746,711 S * 1/2016 Li D10/106.1
D751,398 S * 3/2016 Miceli D9/454
D766,087 S * 9/2016 Strachan D9/434
D768,015 S * 10/2016 Yang D10/118.2
D770,318 S * 11/2016 Parker D10/118.2

OTHER PUBLICATIONS

Staples Easy Button. Item: 606396, Model 25178. [retrieved Feb. 13, 2015]. Retrieved from the Internet <http://www.staples.com/Staples-Easy-Button/product_606396>.

Images of buttons, 6 pages. Date of publication unknown but published prior to May 2014.

* cited by examiner

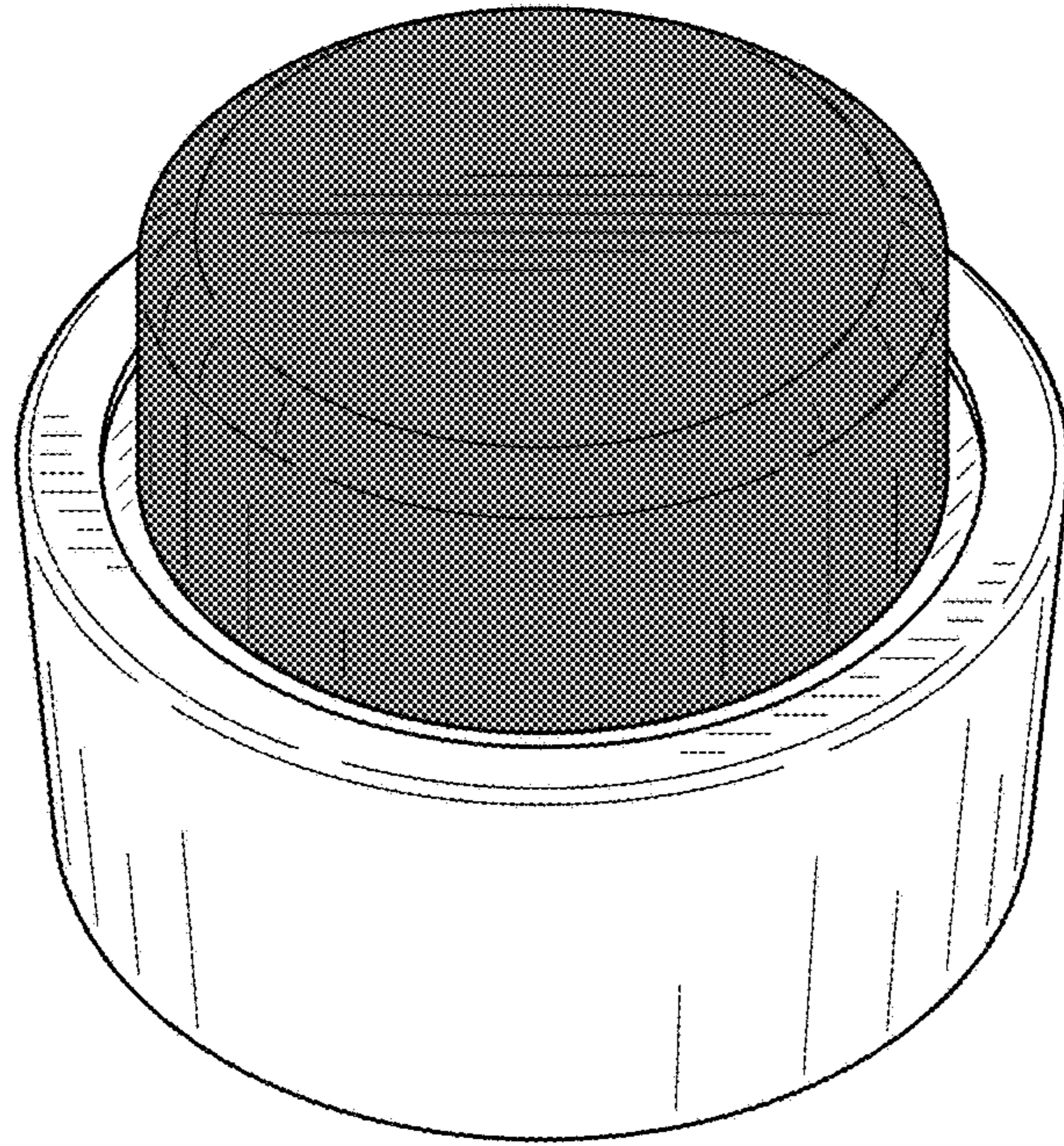


FIG. 1

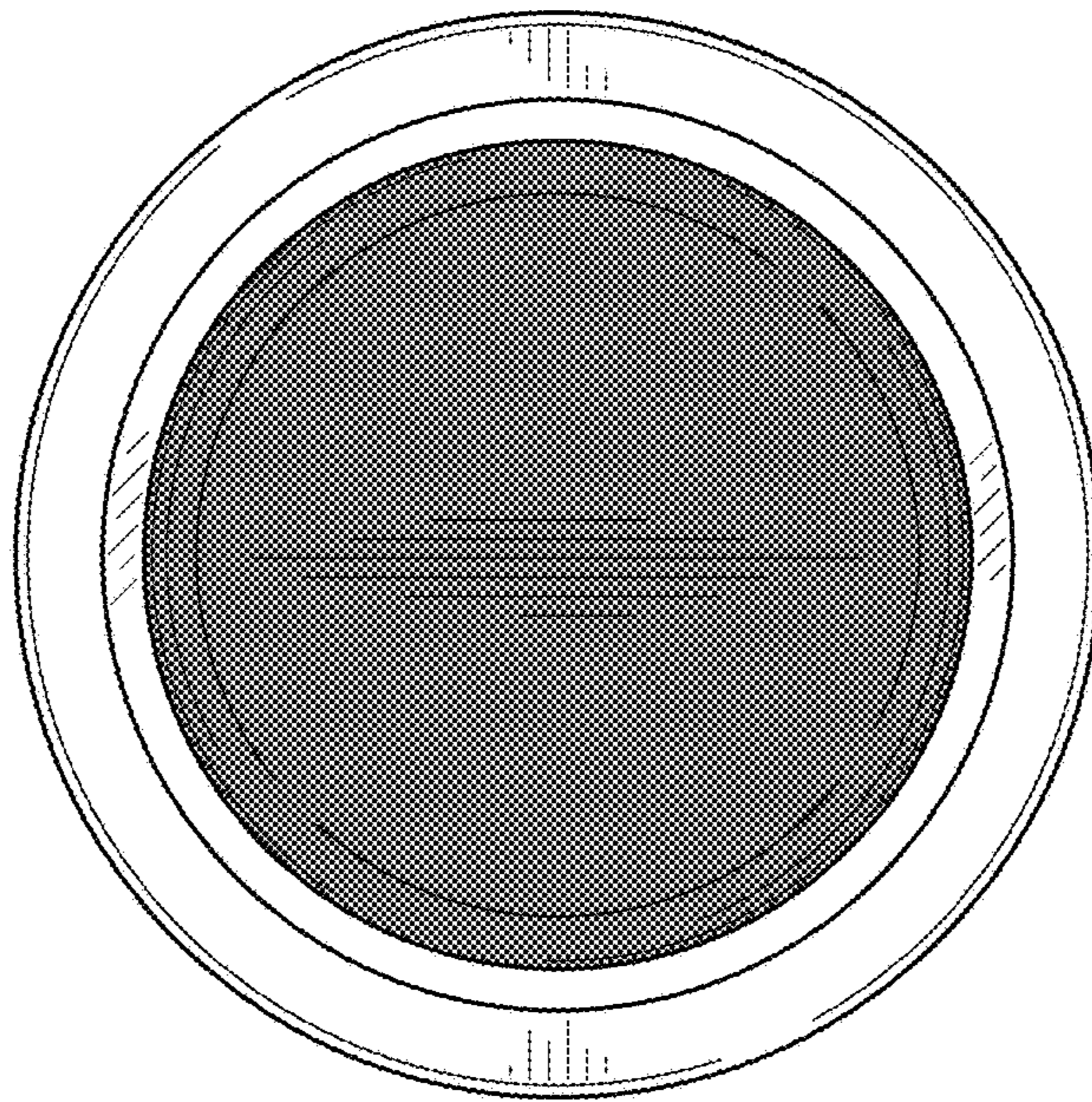


FIG. 2

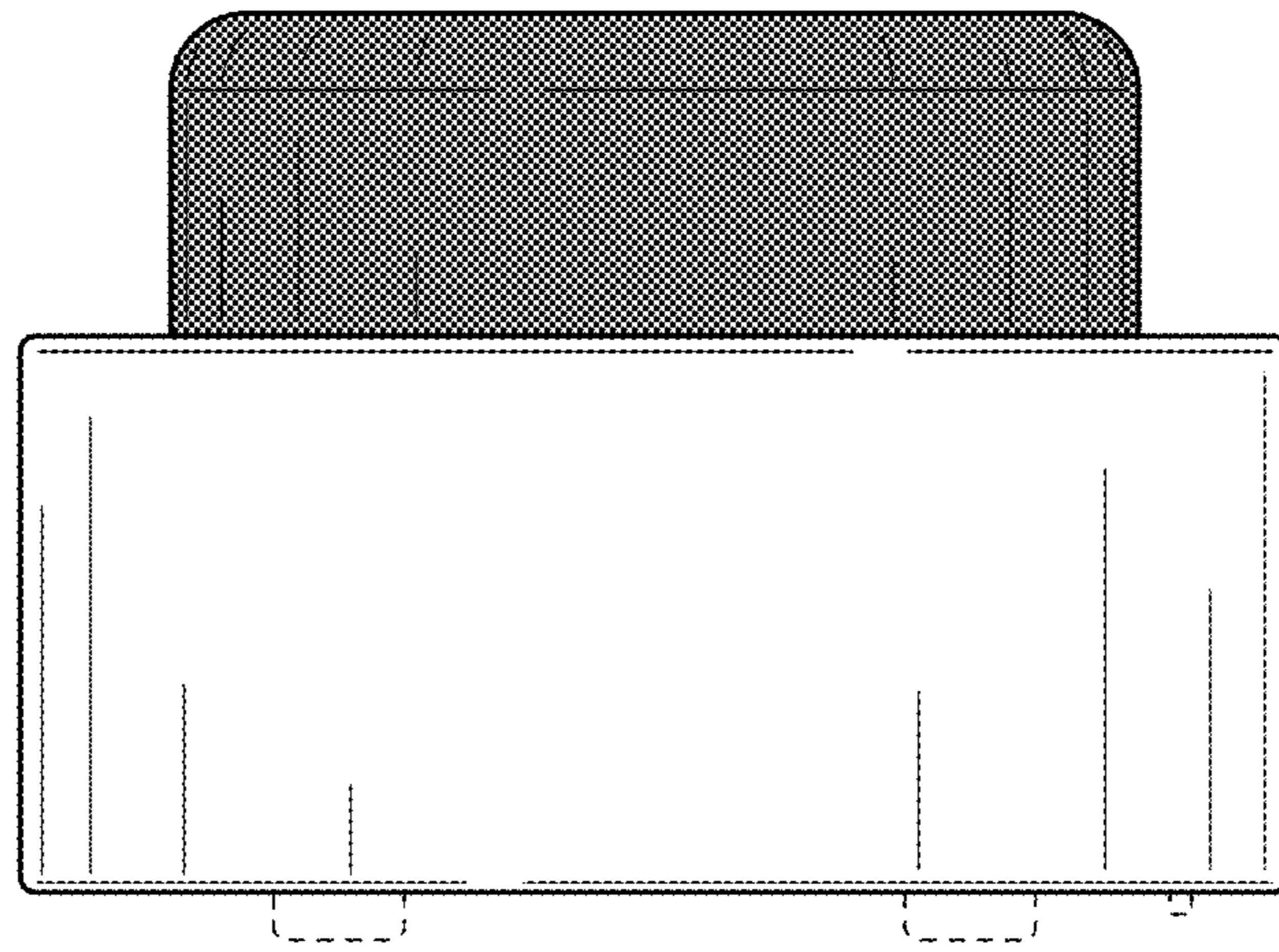


FIG. 3

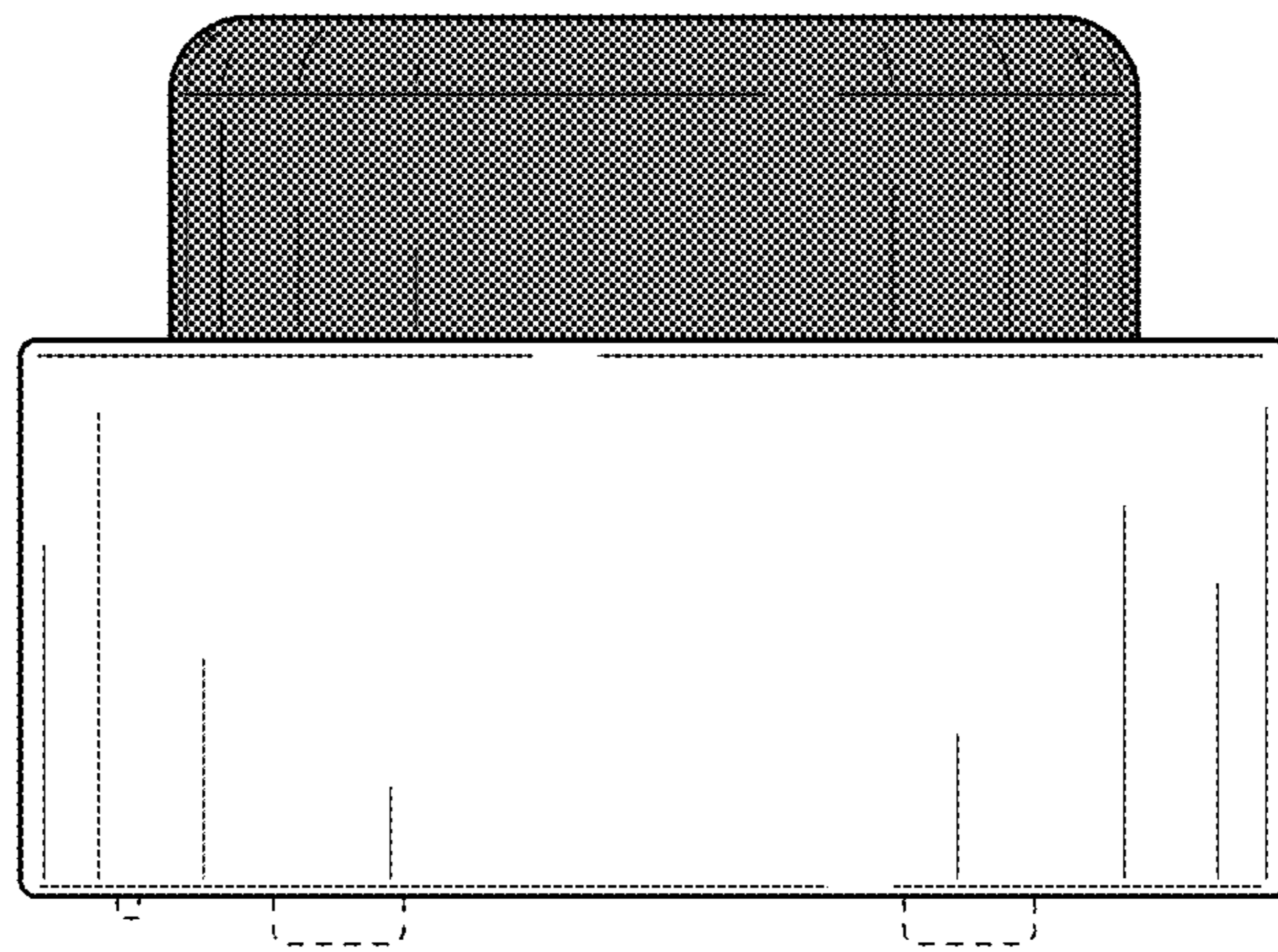


FIG. 4

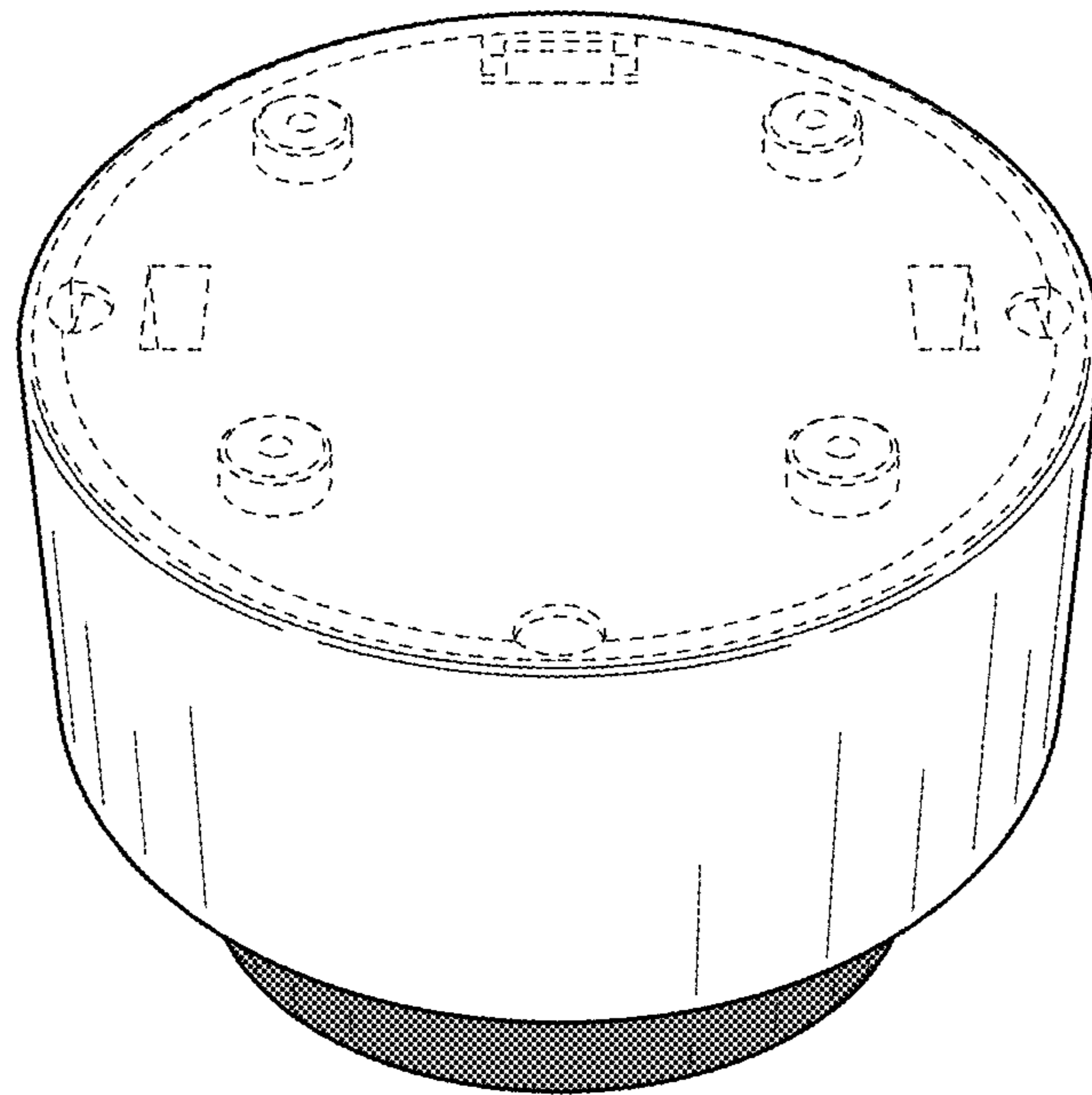


FIG. 5

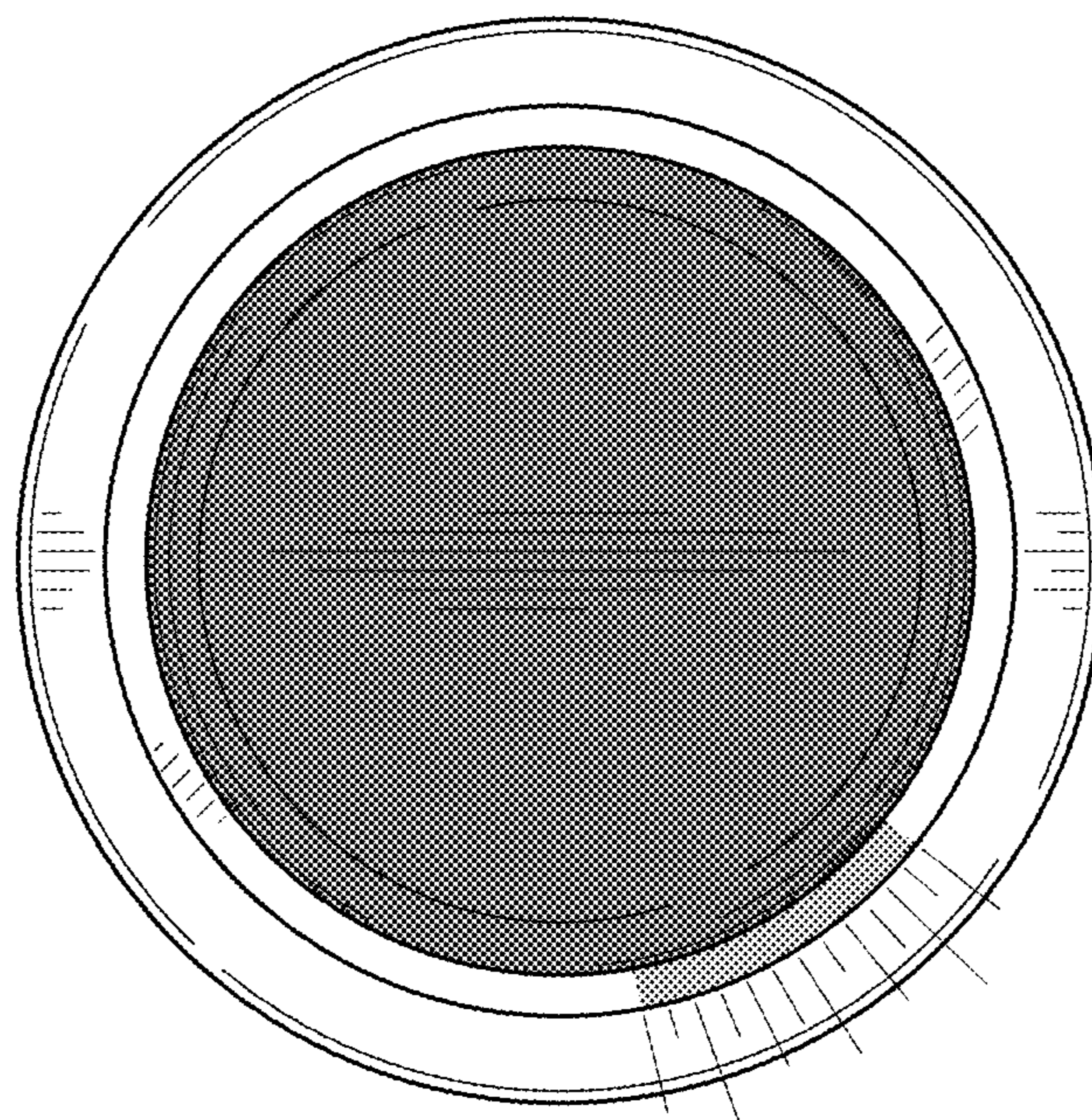


FIG. 6

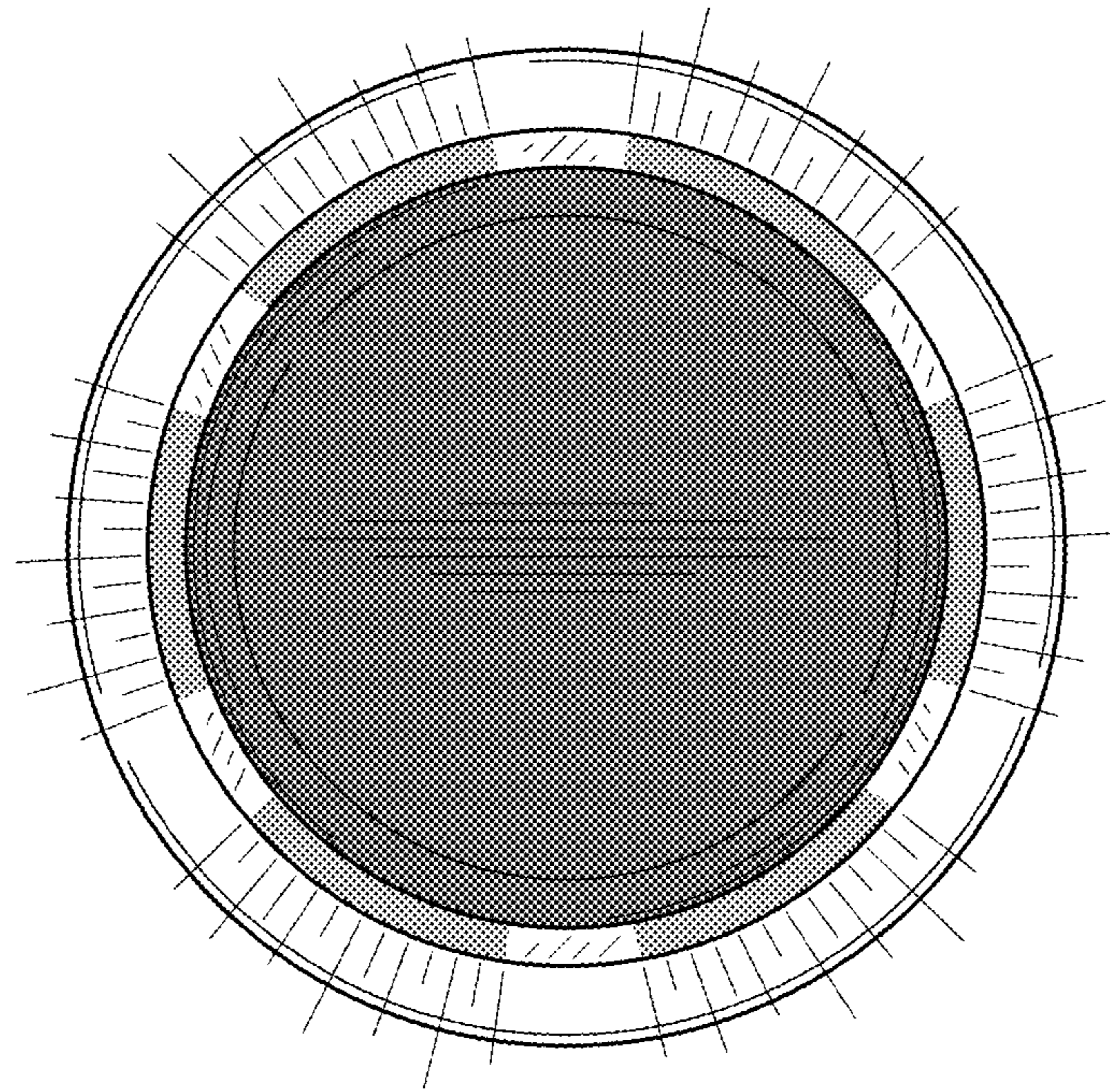


FIG. 7