



US00D805039S

(12) **United States Design Patent**  
**Dejanovic et al.**

(10) **Patent No.:** **US D805,039 S**

(45) **Date of Patent:** **\*\* Dec. 12, 2017**

(54) **COVER**

(71) Applicant: **Layer Zero Power Systems, Inc.**,  
Aurora, OH (US)

(72) Inventors: **Mijo Dejanovic**, Windham, OH (US);  
**Milind Bhanoo**, Chagrin Falls, OH  
(US); **James M Galm**, Chagrin Falls,  
OH (US)

(73) Assignee: **Layer Zero Power Systems, Inc.**,  
Aurora, OH (US)

(\*\*) Term: **14 Years**

(21) Appl. No.: **29/516,064**

(22) Filed: **Jan. 29, 2015**

(51) **LOC (10) Cl.** ..... **13-03**

(52) **U.S. Cl.**

USPC ..... **D13/156**

(58) **Field of Classification Search**

USPC ..... D13/120, 121, 123, 133, 154, 156, 158,  
D13/160, 173, 178, 184, 199; 174/50,  
174/520, 67, 92, 93; 361/600; 439/723,  
439/752, 135, 149, 367

CPC ..... H01R 13/424; H01R 13/436; H01R  
13/4362; H01R 13/5213; H01R 13/6392

See application file for complete search history.

(56) **References Cited**

**U.S. PATENT DOCUMENTS**

- D256,356 S \* 8/1980 Lazerson ..... D13/156
- 5,026,295 A \* 6/1991 Fong ..... H01R 13/5213  
439/135
- 5,183,971 A \* 2/1993 Lafosse ..... H02G 5/06  
174/129 B
- 5,242,311 A \* 9/1993 Seong ..... H01R 13/443  
439/135
- 5,277,601 A \* 1/1994 Miyazawa ..... H05K 13/0408  
439/135

- 5,480,312 A \* 1/1996 Watanabe ..... H01R 13/5213  
439/135
- 5,591,939 A \* 1/1997 Hoffmann ..... H01H 50/02  
174/138 F
- 5,810,611 A \* 9/1998 Campagnon ..... H05K 13/0408  
439/149
- D411,984 S \* 7/1999 Wu ..... D13/156
- 6,095,832 A \* 8/2000 Kusuhara ..... H01R 43/205  
439/135

(Continued)

*Primary Examiner* — Derrick Holland

*Assistant Examiner* — Jennifer O King

(74) *Attorney, Agent, or Firm* — Calfee, Halter &  
Griswold, LLP

(57) **CLAIM**

We claim the ornamental design for a cover, as shown and described.

**DESCRIPTION**

FIG. 1 is a front/left/top perspective view of a cover (front/right/top perspective view would be a mirror image thereof); FIG. 2 is a rear/right/bottom perspective view thereof (rear/left/bottom perspective view would be a mirror image thereof);

FIG. 3 is a front elevational view thereof (a rear elevation view would be a mirror image thereof);

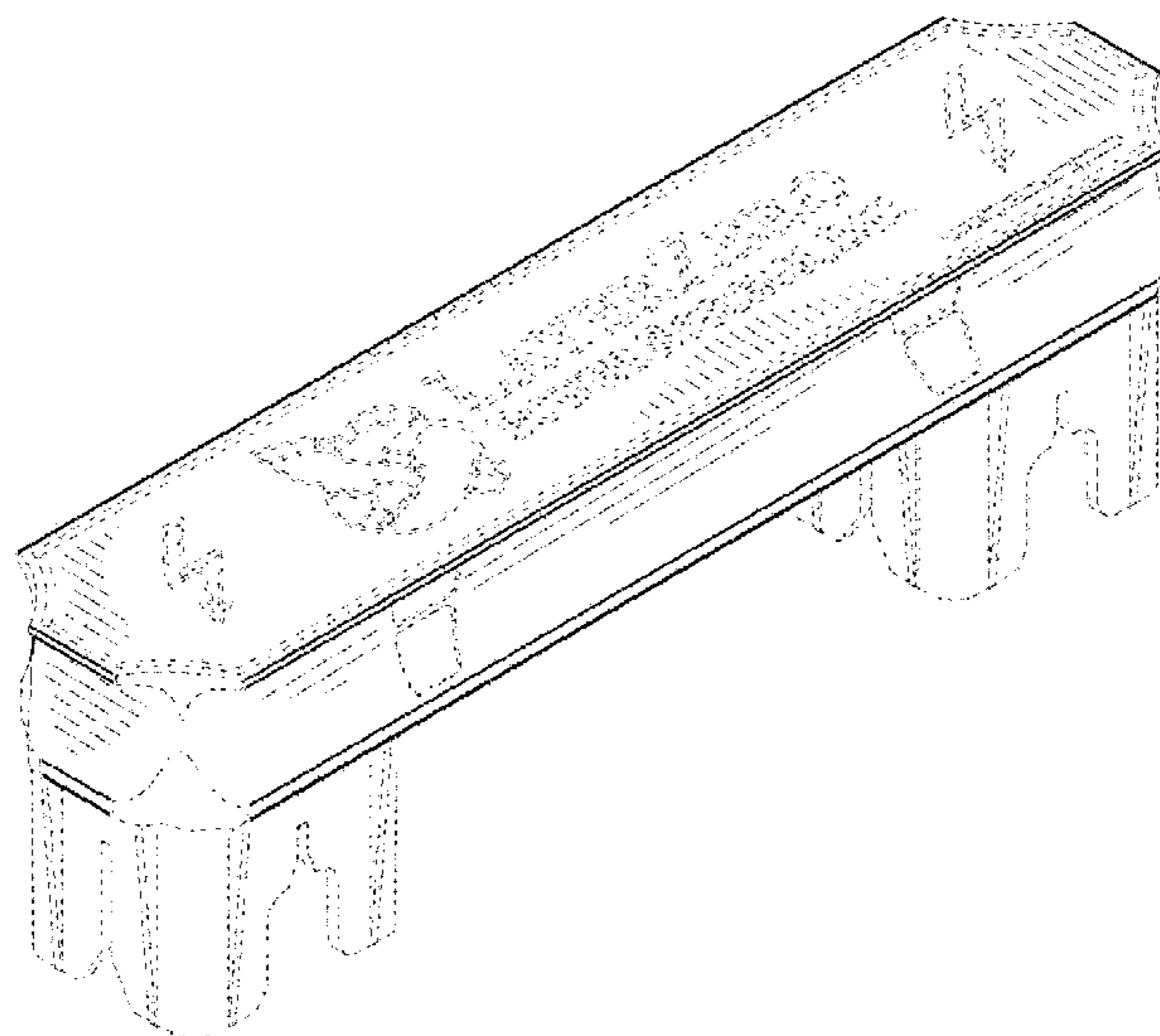
FIG. 4 is a right side elevational view thereof (a left side elevational view would be a mirror image thereof); and

FIG. 5 is a top plan view thereof; and,

FIG. 6 is a bottom plan view thereof.

The portions of the Figures shown as broken lines indicate unclaimed structure and form no part of the claimed design. Where the broken lines abut the shaded surface it is understood that those broken lines represent an unclaimed boundary between claimed and unclaimed surfaces. None of the broken lines form any part of the claimed design.

**1 Claim, 3 Drawing Sheets**



(56)

**References Cited**

U.S. PATENT DOCUMENTS

6,116,949	A *	9/2000	Costello .....	H01R 13/6485 439/509
6,599,140	B1 *	7/2003	Chen .....	H01R 43/0263 439/135
7,393,219	B2 *	7/2008	Liao .....	H01R 13/5213 439/135
7,687,713	B2 *	3/2010	VanderVelde .....	H02G 3/0418 138/111
D724,028	S *	3/2015	Norman .....	D13/123
D758,321	S *	6/2016	Byrne .....	D13/156
D771,574	S *	11/2016	Hultquist .....	D13/156
D783,543	S *	4/2017	Sims .....	D13/158

\* cited by examiner

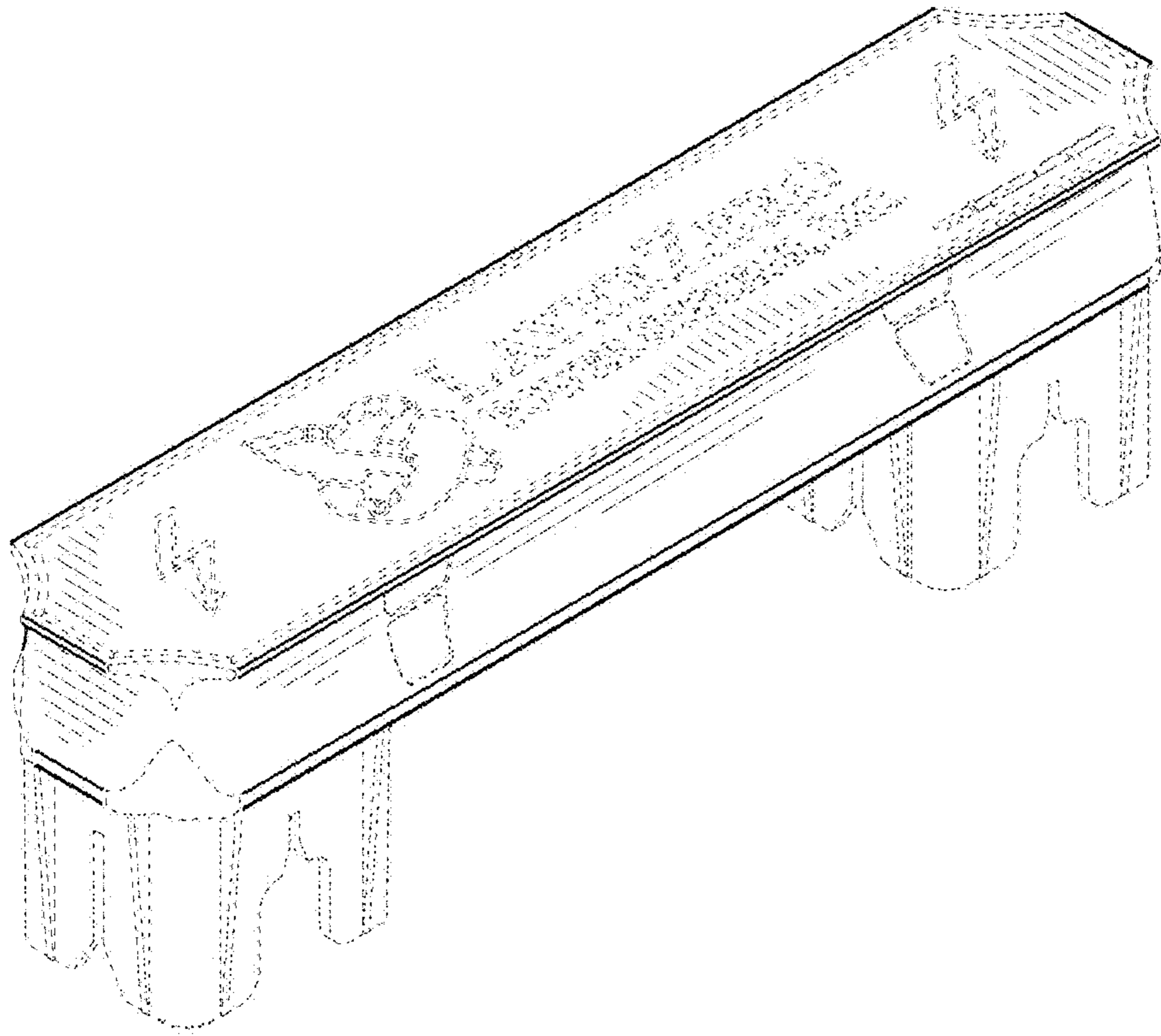


FIG. 1

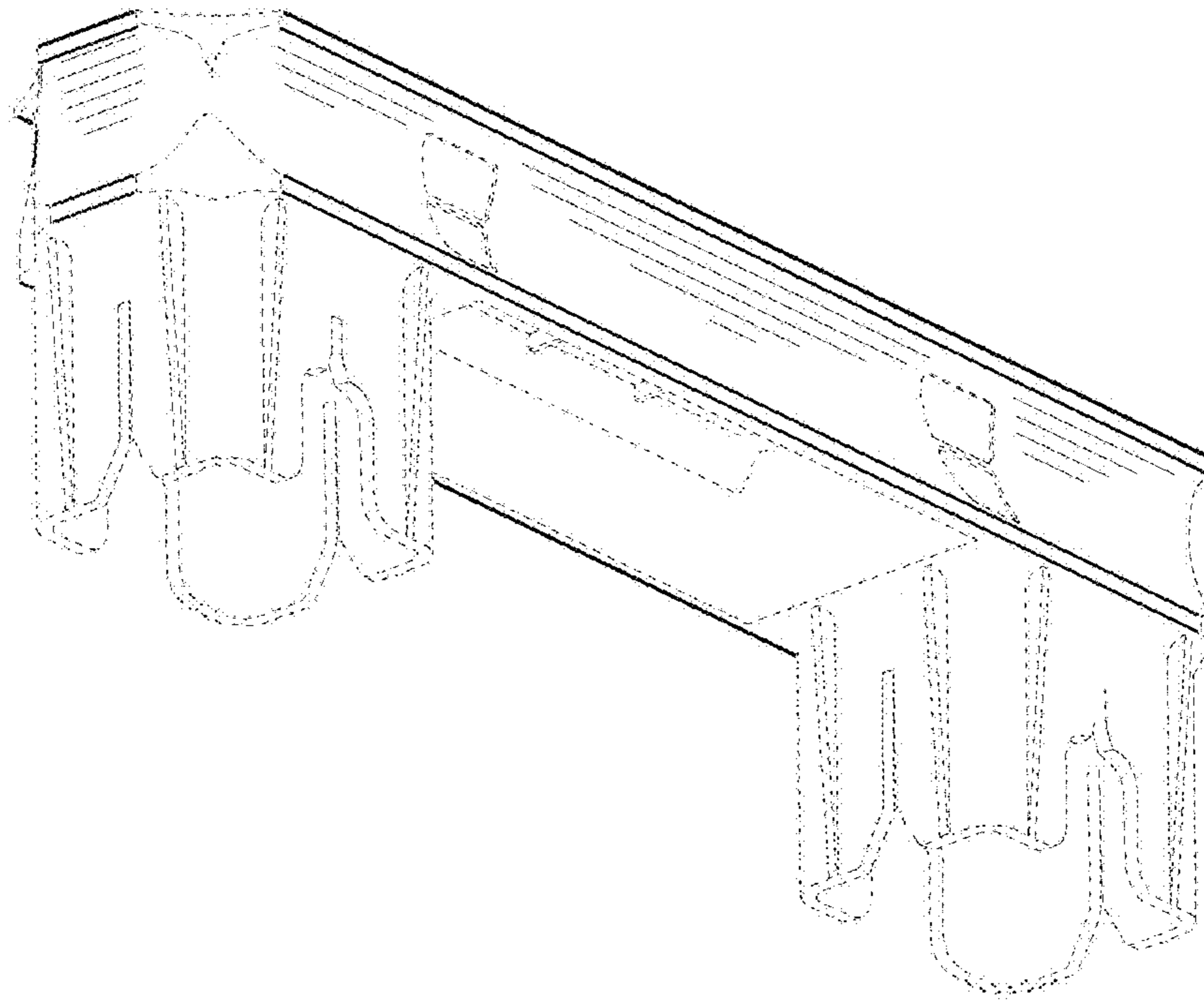


FIG. 2

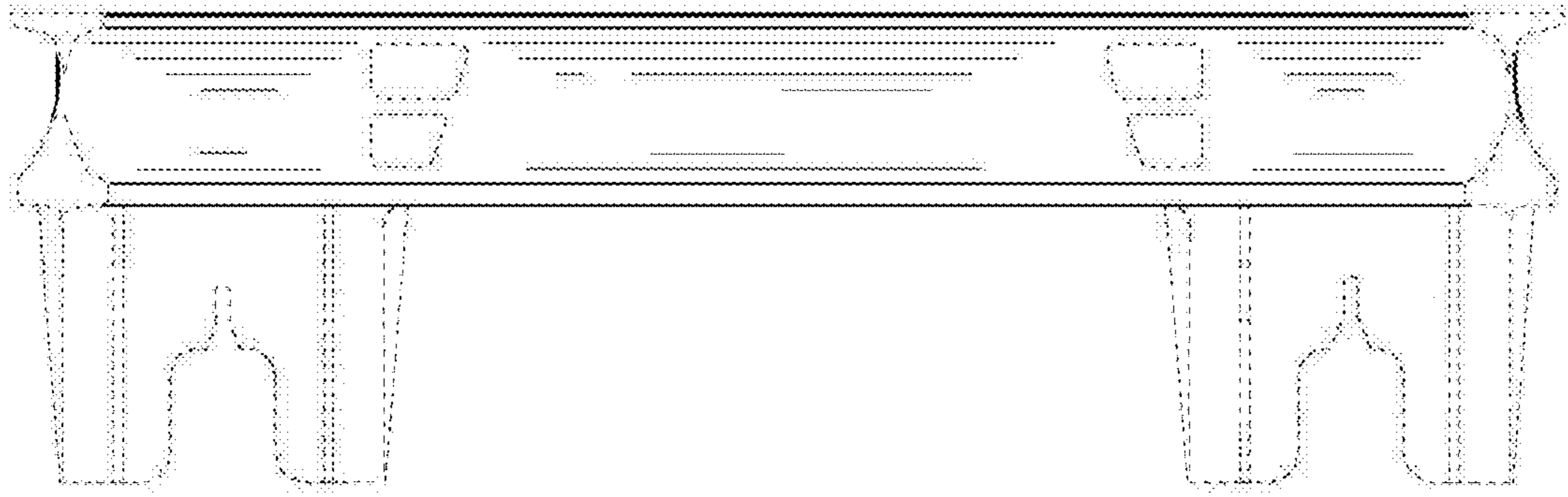


FIG. 3

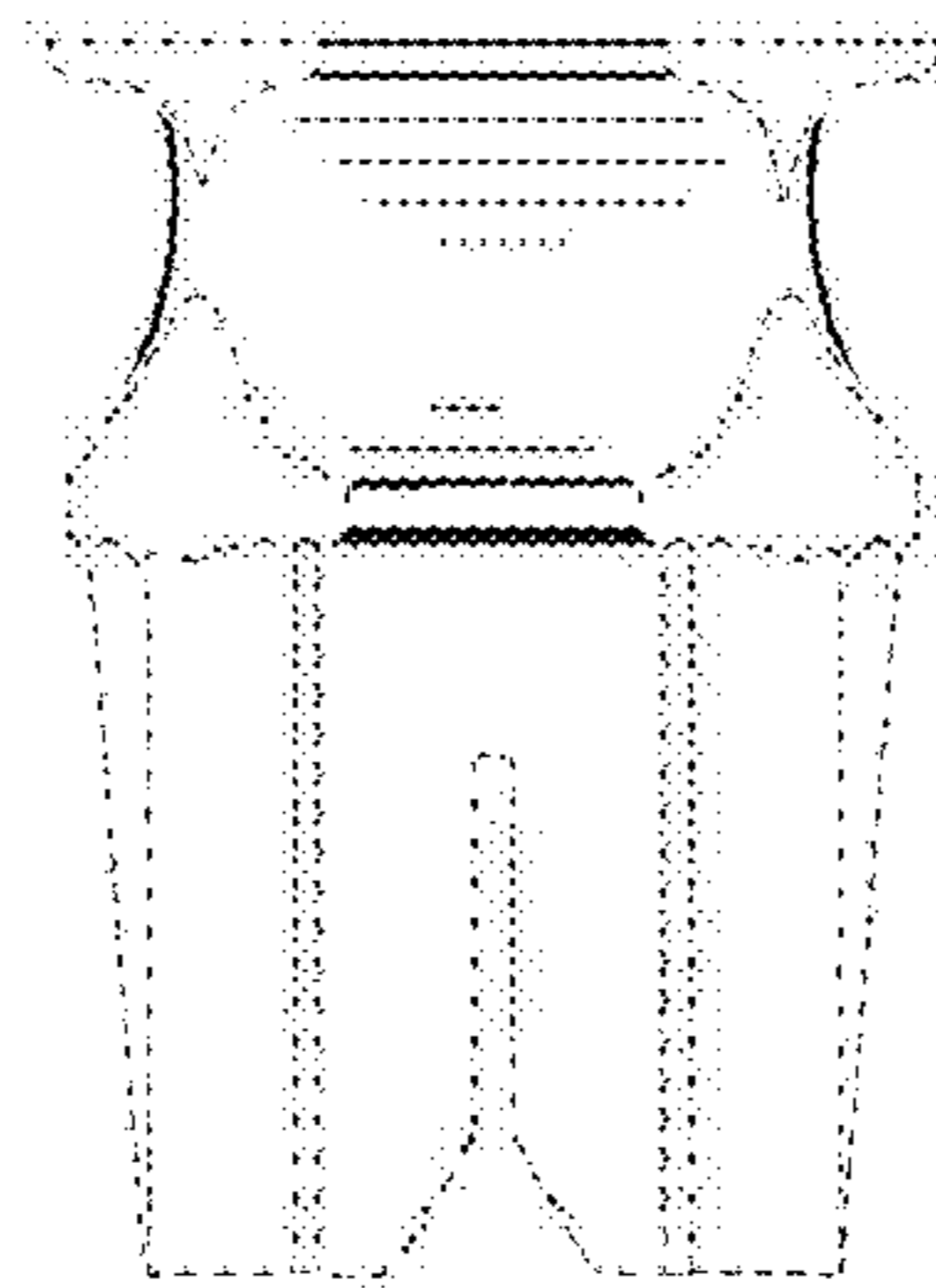


FIG. 4

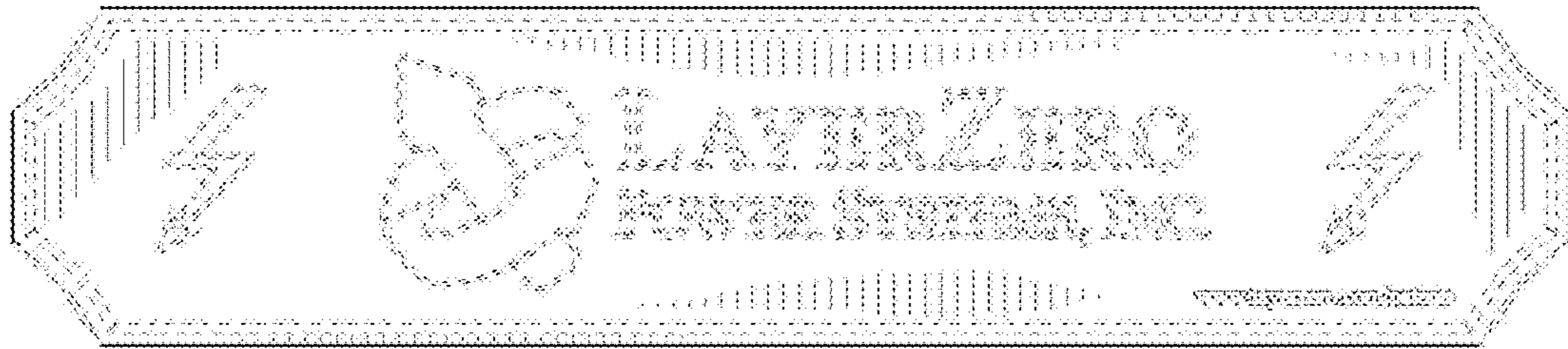


FIG. 5

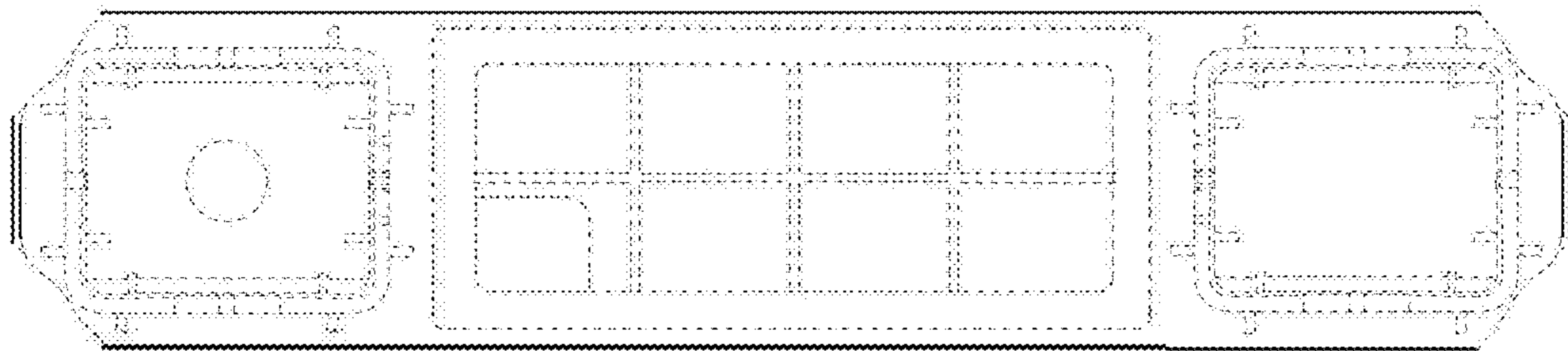


FIG. 6