



US00D805036S

(12) **United States Design Patent**
Zhuang et al.

(10) **Patent No.:** **US D805,036 S**

(45) **Date of Patent:** **** Dec. 12, 2017**

(54) **PLUG**

(71) Applicant: **EATON CORPORATION**, Cleveland, OH (US)

(72) Inventors: **Chuanchuan Zhuang**, Shanghai (CN); **Fengguo Zhang**, Shanghai (CN); **Tao Xiong**, Shanghai (CN); **Darron Kirby Lacey**, Peachtree City, GA (US)

(73) Assignee: **EATON CORPORATION**, Cleveland, OH (US)

(**) Term: **15 Years**

(21) Appl. No.: **29/573,666**

(22) Filed: **Aug. 9, 2016**

(51) **LOC (10) Cl.** **13-03**

(52) **U.S. Cl.**
USPC **D13/146**

(58) **Field of Classification Search**
USPC D13/108, 110, 123, 133, 137.1–137.4, D13/138.1–138.2, 139.1–139.8, 152–154, D13/156, 158, 177, 146, 147; D8/350–353, 331; D25/138, 163, 164
CPC H01R 25/00; H01R 25/006; H01R 9/00; H01R 11/00
See application file for complete search history.

(56) **References Cited**

U.S. PATENT DOCUMENTS

D260,511 S *	9/1981	Avramovich	D13/146
D265,189 S *	6/1982	Eriksson	D10/114.1
D298,931 S *	12/1988	Sekiguchi	D13/147
5,542,859 A *	8/1996	Ison	H01R 13/74 248/27.1
D412,883 S *	8/1999	Nakazawa	D13/146
D412,885 S *	8/1999	Toly	D13/133
D434,006 S *	11/2000	Lesesky	D13/147
D466,083 S *	11/2002	Zhang	D13/147

D493,428 S *	7/2004	McCoy	D13/147
D535,619 S *	1/2007	Nagata	D13/133
D571,681 S *	6/2008	Radecke	D10/80
D573,102 S *	7/2008	Sheehan	D13/153
D575,237 S *	8/2008	Shiga	D13/133
D587,656 S *	3/2009	Shen	D13/147
D702,189 S *	4/2014	Kagelmacher	D13/146
D733,655 S *	7/2015	Sato	D13/133
D743,891 S *	11/2015	Shaw	D13/133
D774,459 S *	12/2016	Renaud-Byrne	D13/146
D788,708 S *	6/2017	Vo	D13/133
D789,299 S *	6/2017	Suica	D13/146
D789,889 S *	6/2017	Katagiyama	D13/133

* cited by examiner

Primary Examiner — Rosemary K Tarcza

Assistant Examiner — Christy Nemeth

(74) *Attorney, Agent, or Firm* — Eckert Seamans; Brij Agarwal; Grant Coffield

(57) **CLAIM**

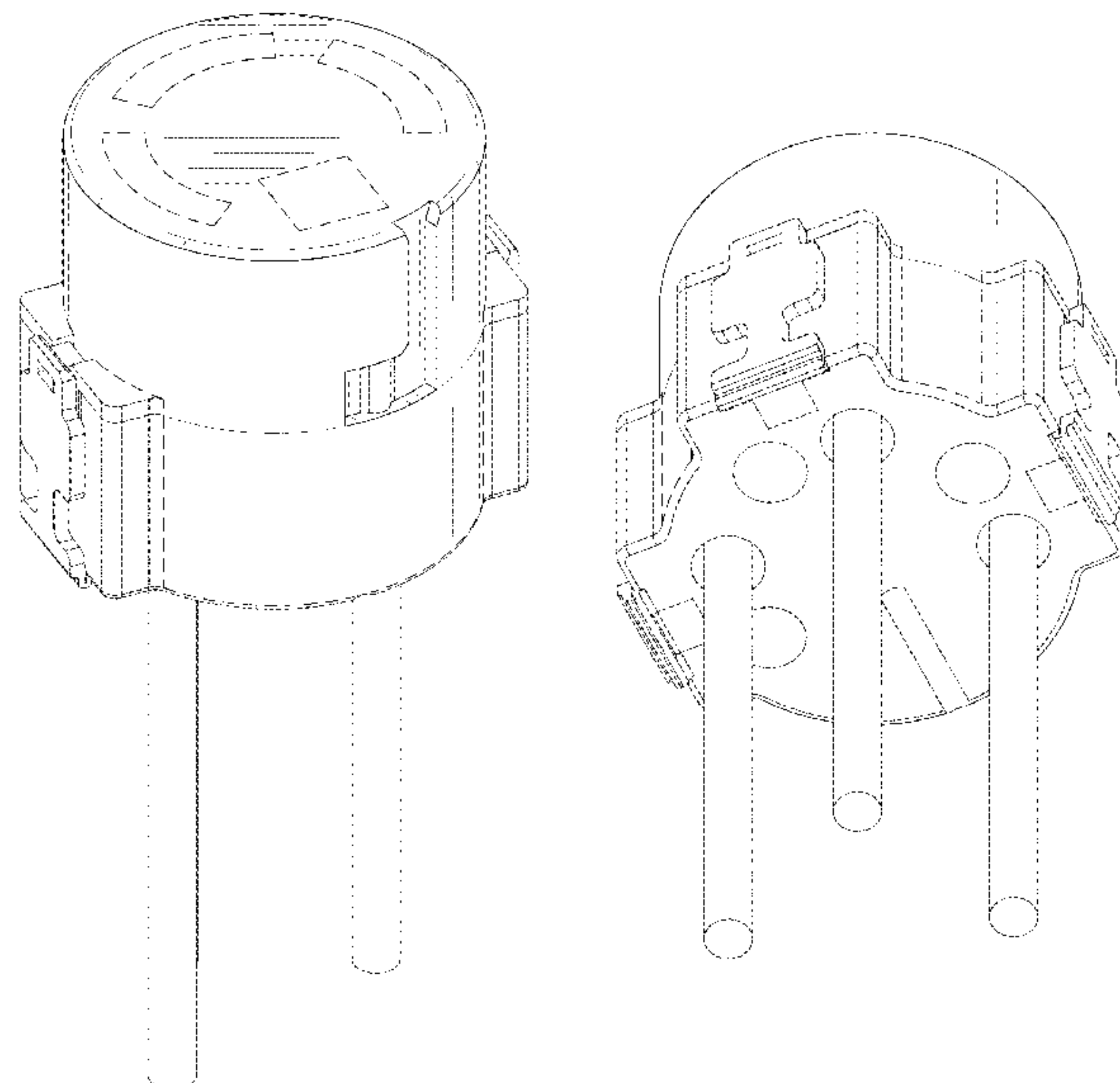
The ornamental design for a plug, as shown and described.

DESCRIPTION

FIG. 1 is an upper rear perspective view of the plug; FIG. 2 is an upper frontal perspective view of the plug; FIG. 3 is a lower frontal perspective view of the plug; FIG. 4 is a lower rear perspective view of the plug; FIG. 5 is a front elevational view of the plug; FIG. 6 is a left side elevational view of the plug; FIG. 7 is a right side elevational view of the plug; FIG. 8 is a rear elevational view of the plug; FIG. 9 is a top plan view of the plug; and, FIG. 10 is a bottom plan view of the plug.

The long-dash broken lines are for the purpose of illustrating the boundaries of the claimed design. The short-dash broken lines are for the purpose of illustrating environmental subject matter. None of the broken lines form part of the claimed design.

1 Claim, 9 Drawing Sheets



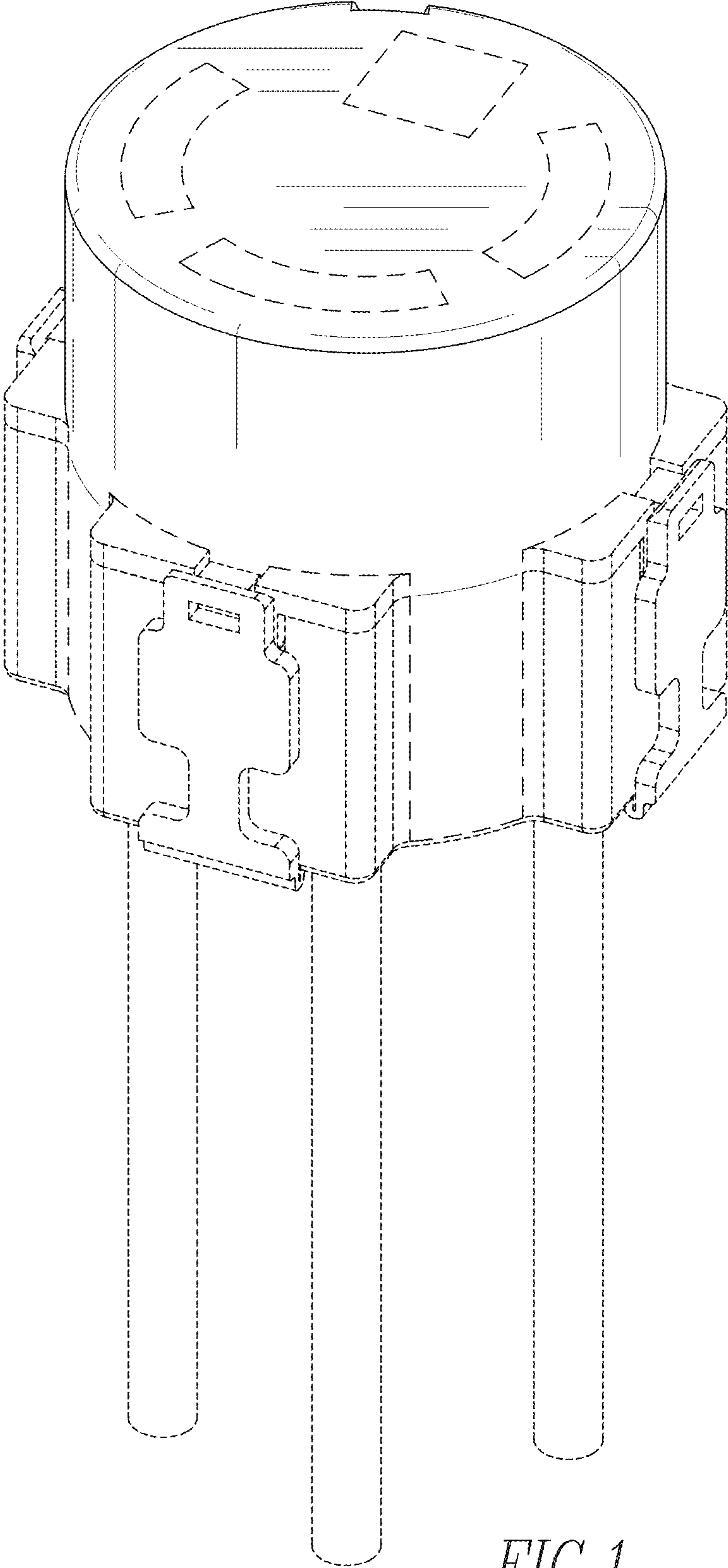


FIG. 1

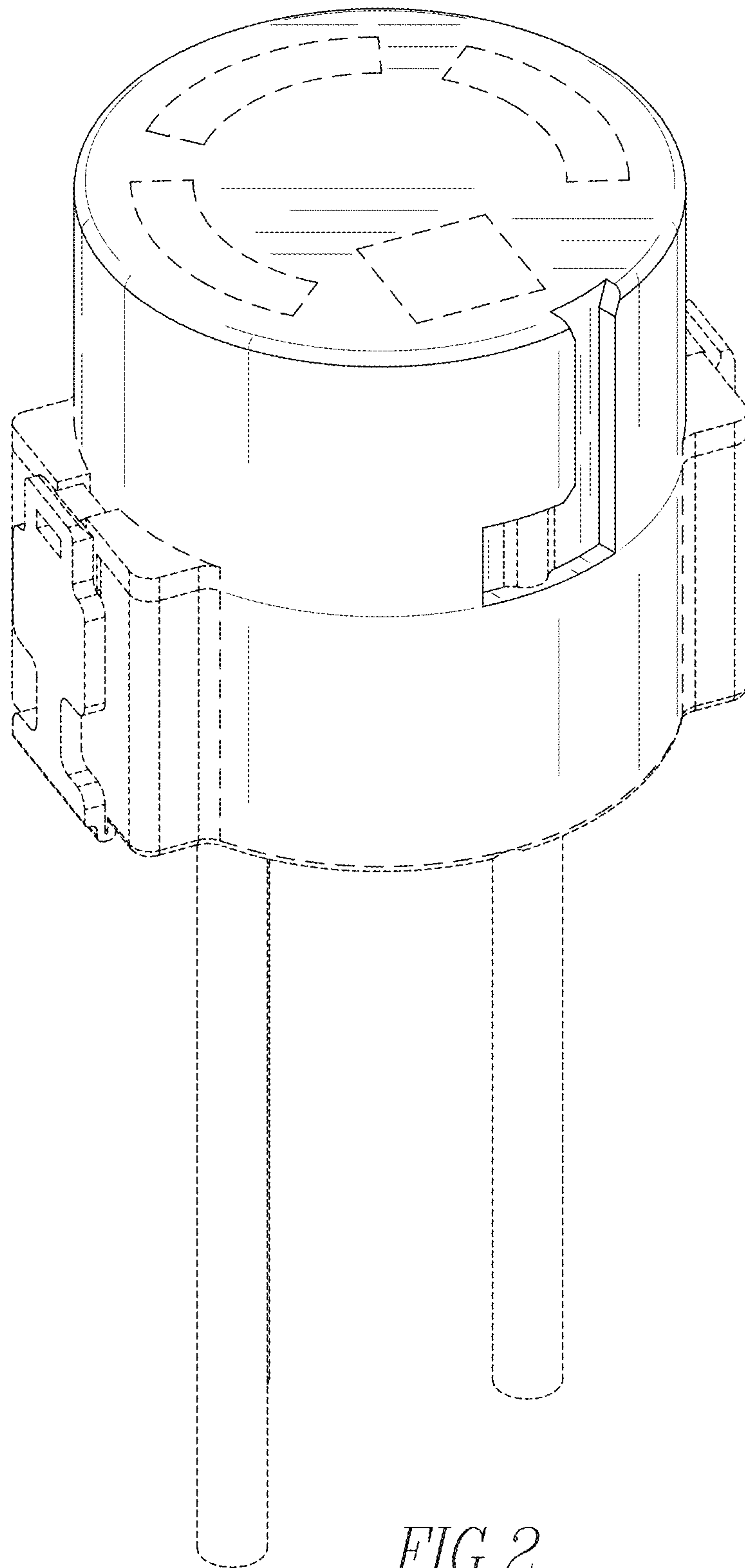


FIG. 2

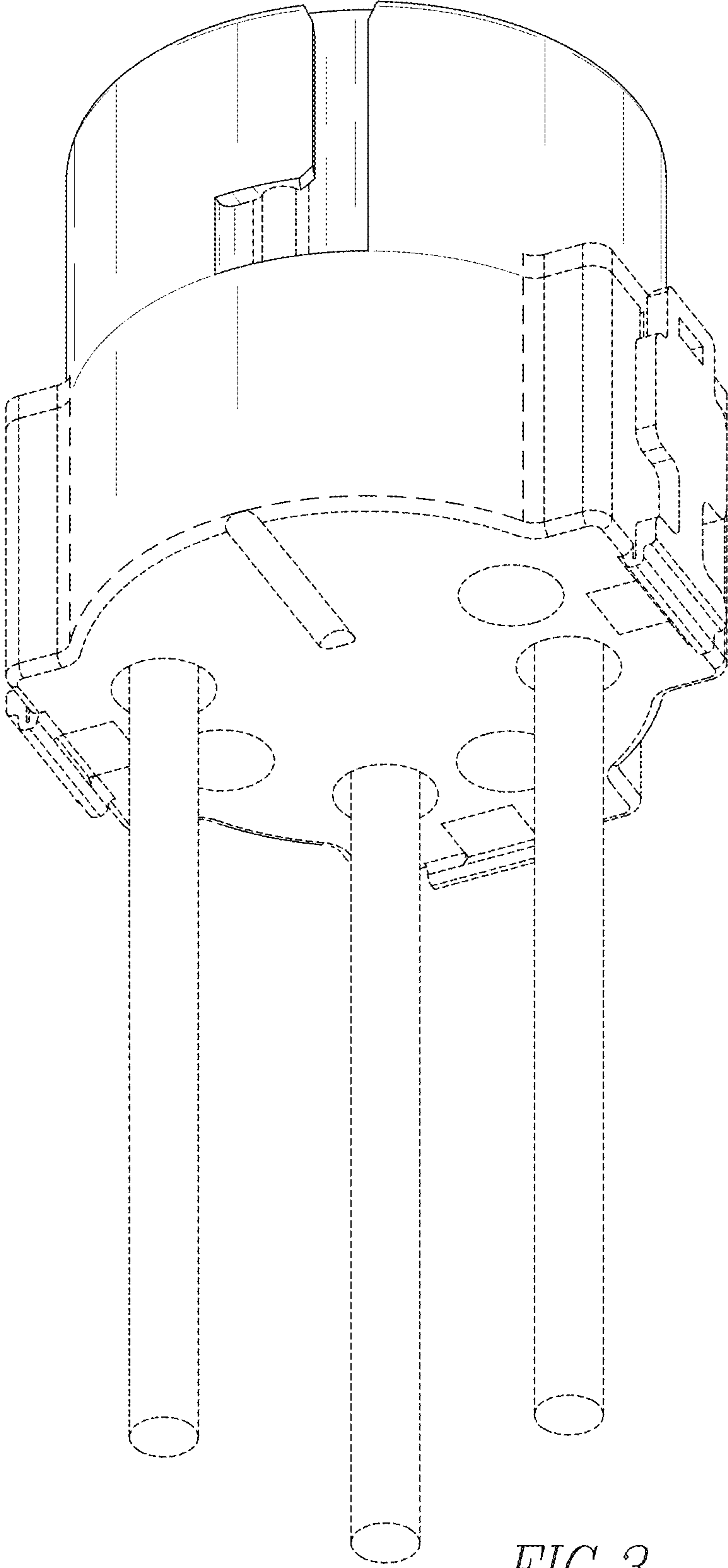


FIG. 3

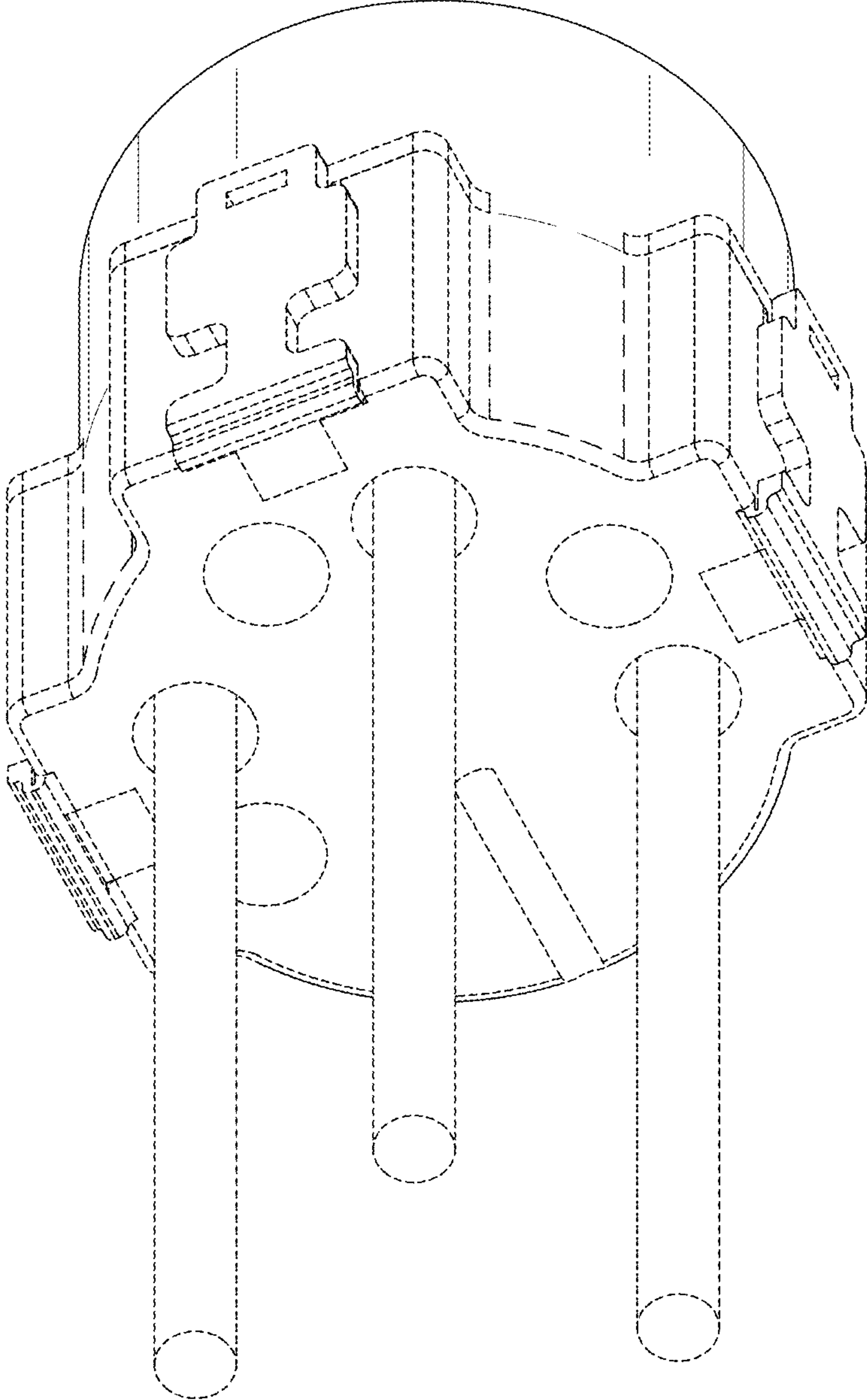


FIG. 4

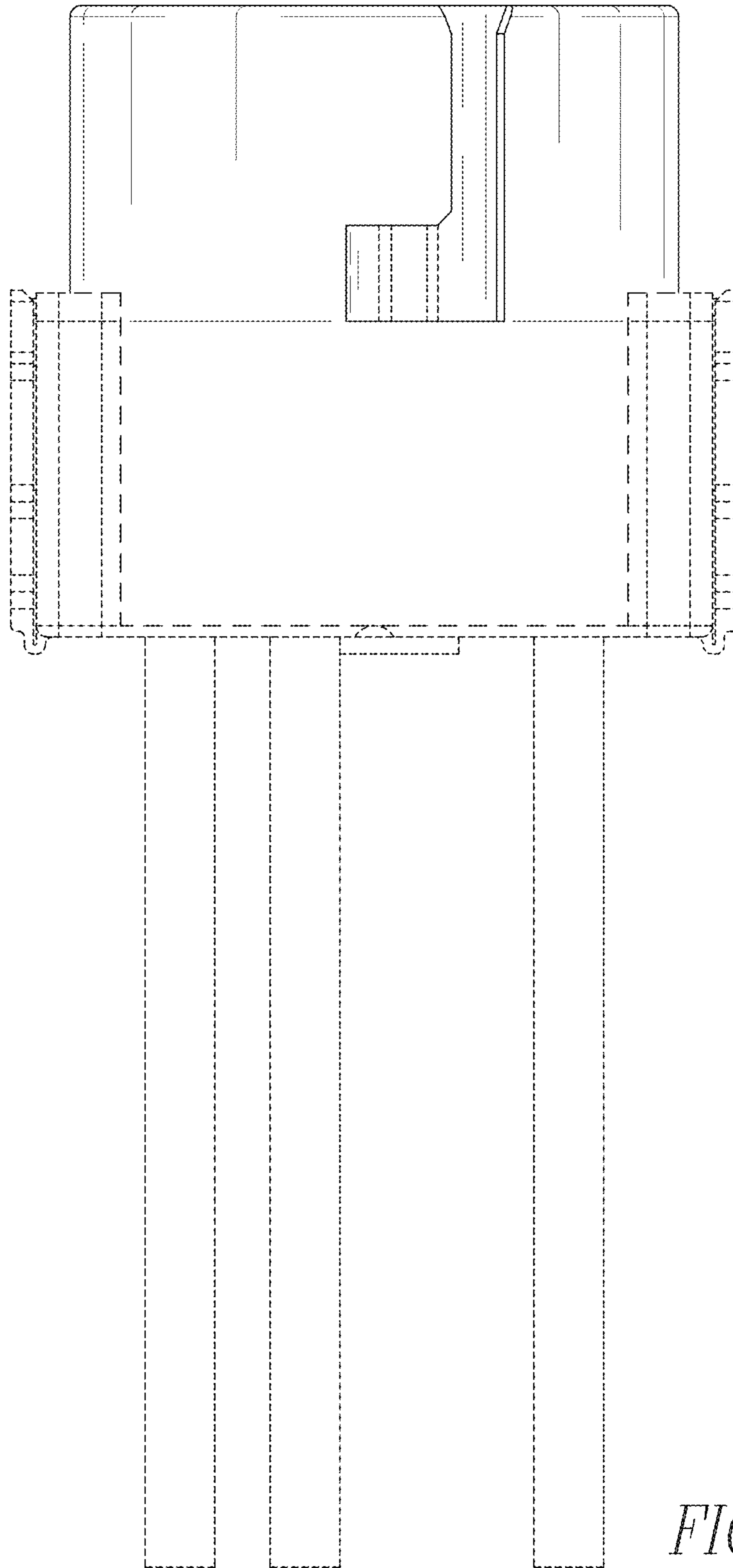


FIG. 5

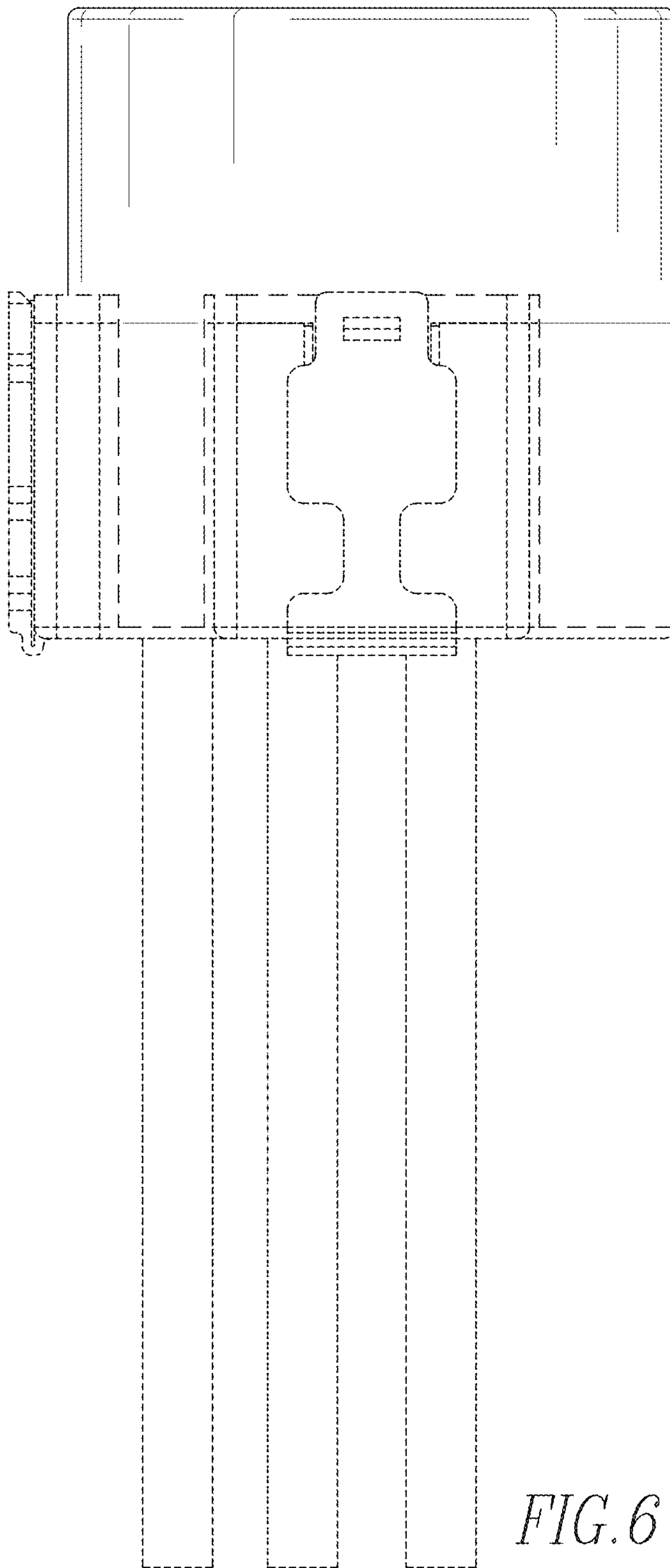


FIG. 6

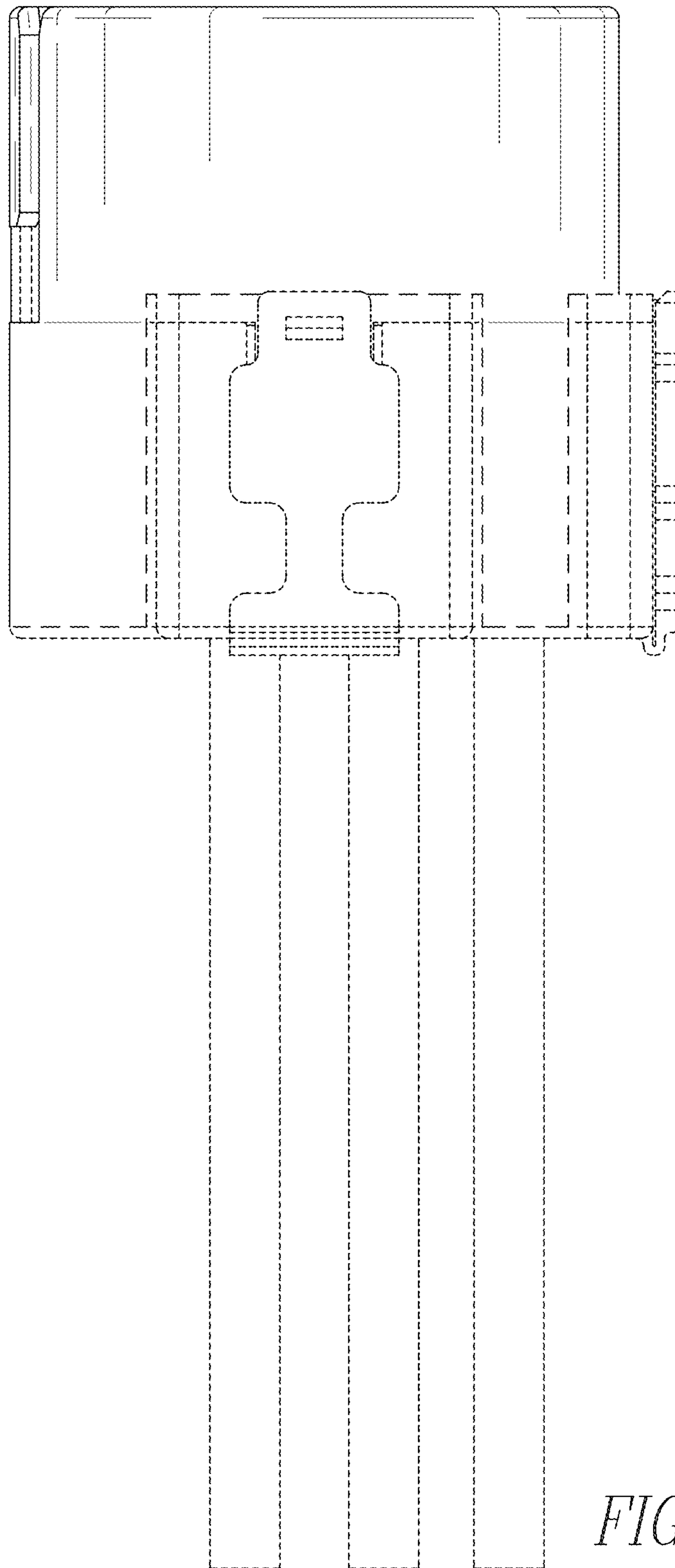


FIG. 7

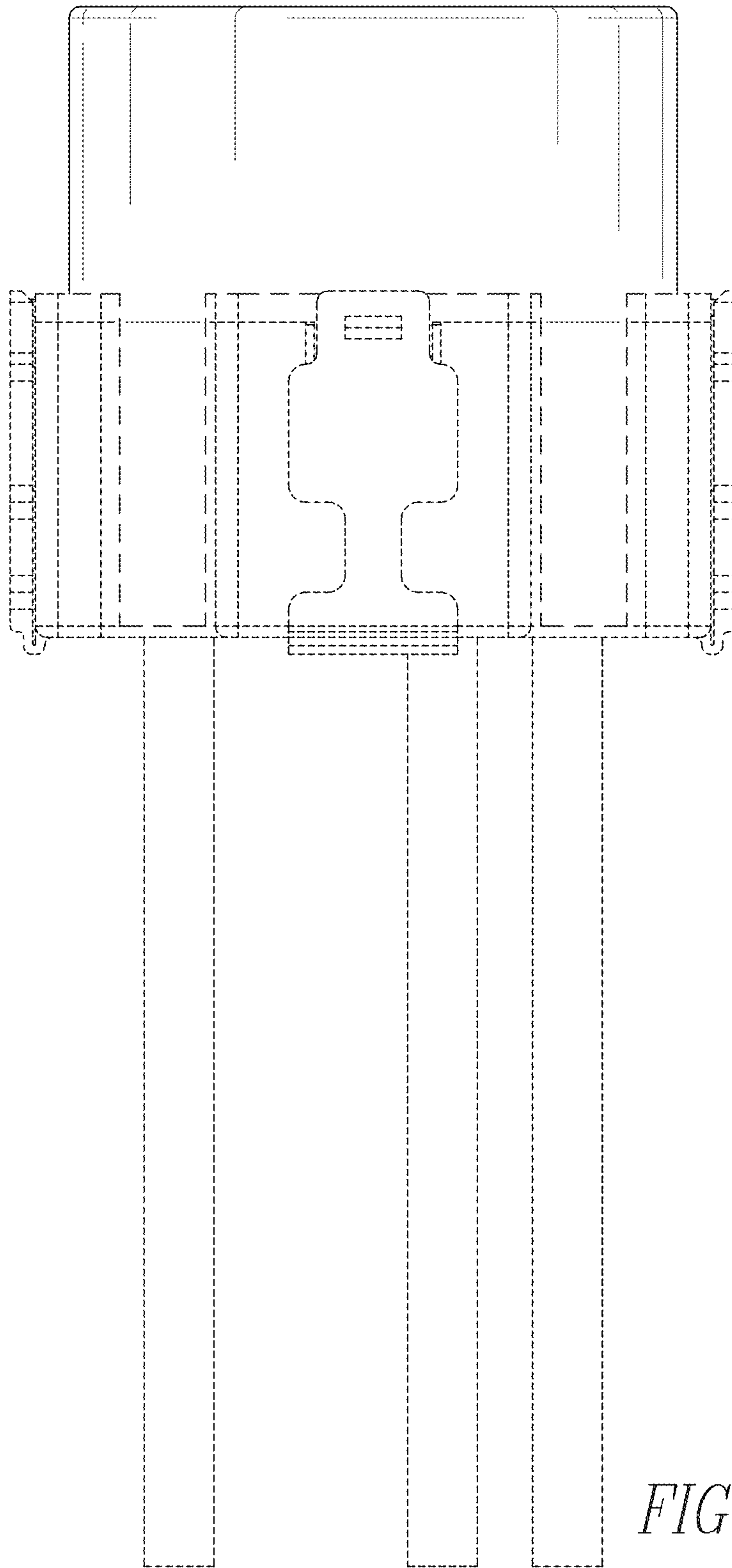


FIG. 8

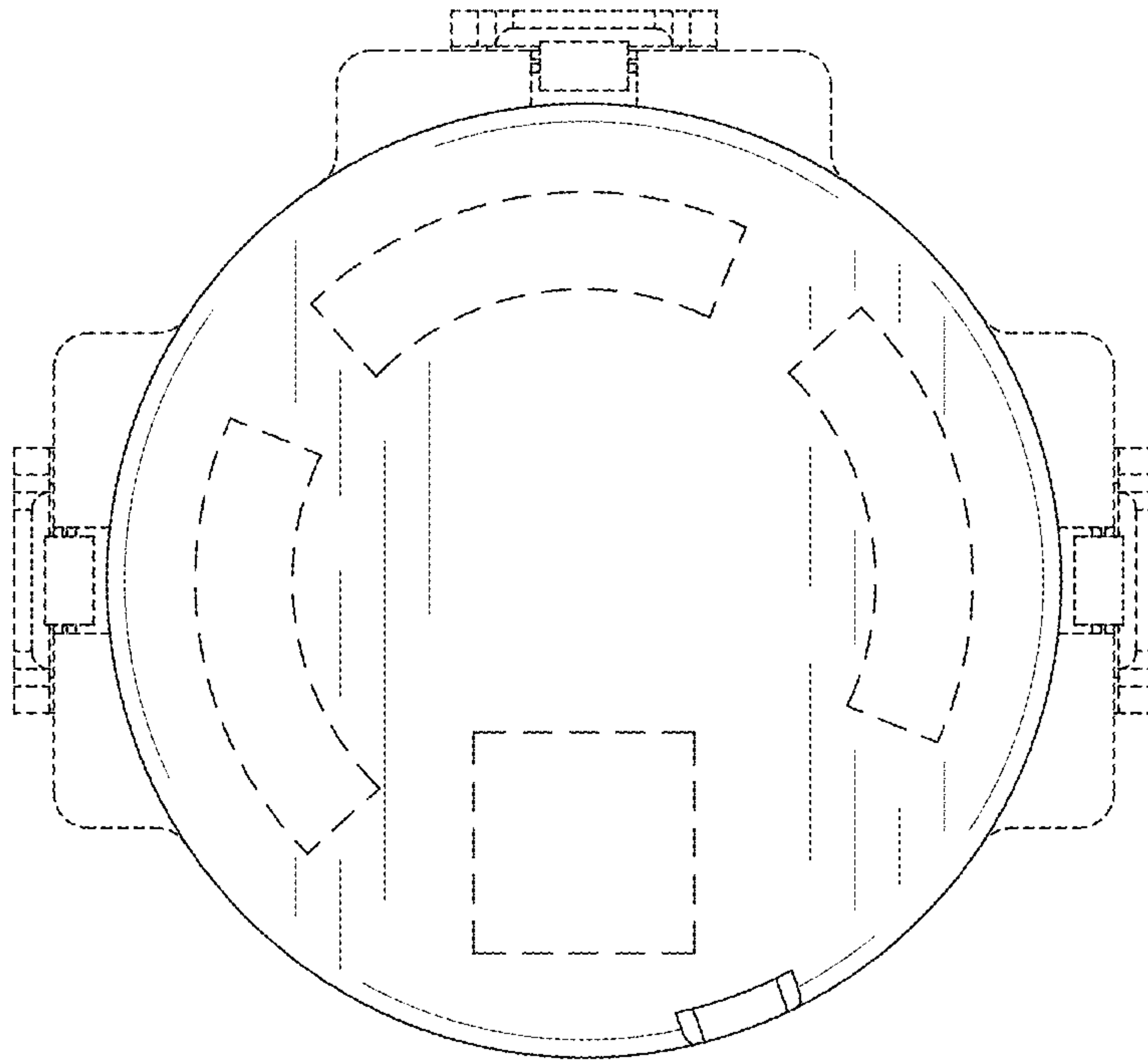


FIG. 9

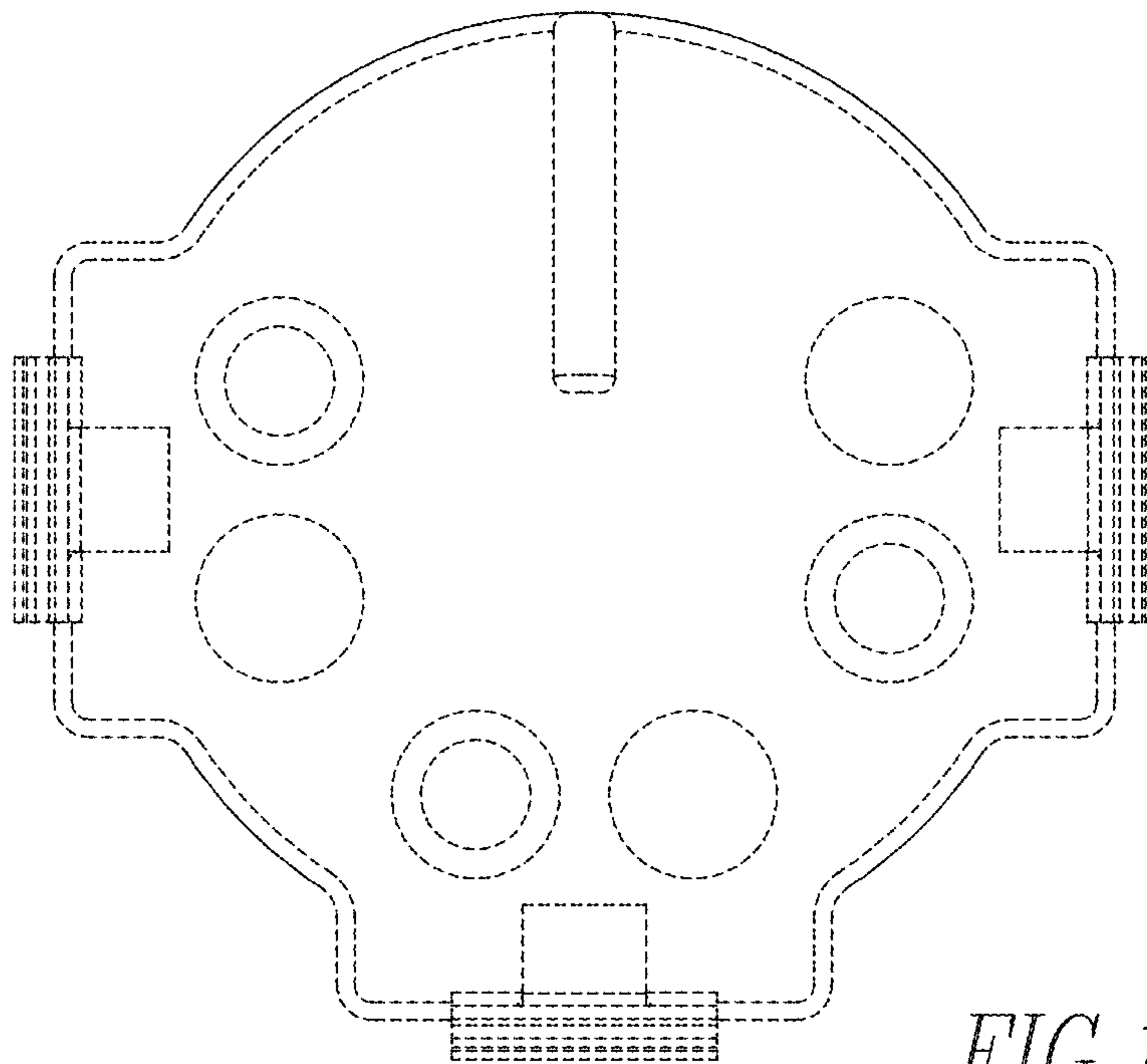


FIG. 10