



US00D805035S

(12) **United States Design Patent**
Zhuang et al.

(10) **Patent No.:** **US D805,035 S**

(45) **Date of Patent:** **** Dec. 12, 2017**

(54) **PLUG**

(71) Applicant: **EATON CORPORATION**, Cleveland, OH (US)

(72) Inventors: **Chuanchuan Zhuang**, Shanghai (CN);
Fengguo Zhang, Shanghai (CN)

(73) Assignee: **EATON CORPORATION**, Cleveland, OH (US)

(**) Term: **15 Years**

(21) Appl. No.: **29/573,267**

(22) Filed: **Aug. 4, 2016**

(51) **LOC (10) Cl.** **13-03**

(52) **U.S. Cl.**
USPC **D13/146**

(58) **Field of Classification Search**
USPC D13/108, 110, 123, 133, 137.1–137.4,
D13/138.1–138.2, 139.1–139.8, 152–154,
D13/156, 158, 177, 146, 147;
D8/350–353, 331; D25/138, 163, 164
CPC H01R 25/00; H01R 25/006
See application file for complete search history.

(56) **References Cited**

U.S. PATENT DOCUMENTS

D410,629 S *	6/1999	Bandura	D13/147
D421,210 S *	2/2000	Wu	D8/353
D466,084 S *	11/2002	Zhang	D13/147
D478,321 S *	8/2003	Peng	D13/154
D480,687 S *	10/2003	Zhu	D13/147
D492,260 S *	6/2004	Spink, Jr.	D13/147
D494,141 S *	8/2004	Spink, Jr.	D13/147
D531,120 S *	10/2006	Tamura	D13/133
D544,845 S *	6/2007	Askeland	D13/147
D578,066 S *	10/2008	So	D13/133
D580,872 S *	11/2008	Knepper	D13/146
D583,770 S *	12/2008	Ramsey	D13/146

D585,026 S *	1/2009	Kok	D13/133
D655,677 S *	3/2012	Gouhl	D13/146
D678,205 S *	3/2013	Shifris	D13/133
D717,247 S *	11/2014	Nagasawa	D13/133
D734,723 S *	7/2015	Scholeno	D13/133
D743,336 S *	11/2015	Abe	D13/110
D746,232 S *	12/2015	Chen	D13/133
D754,072 S *	4/2016	Katagiyama	D13/133
D756,305 S *	5/2016	Kollmann	D13/133
D762,584 S *	8/2016	Chen	D13/147
D762,585 S *	8/2016	Chen	D13/147
D777,676 S *	1/2017	Haley	D13/146
2008/0311781 A1 *	12/2008	Wojcik	H01R 13/506 439/352

(Continued)

Primary Examiner — Rosemary K Tarcza

Assistant Examiner — Christy Nemeth

(74) *Attorney, Agent, or Firm* — Eckert Seamans; Brij Agarwal; Grant Coffield

(57) **CLAIM**

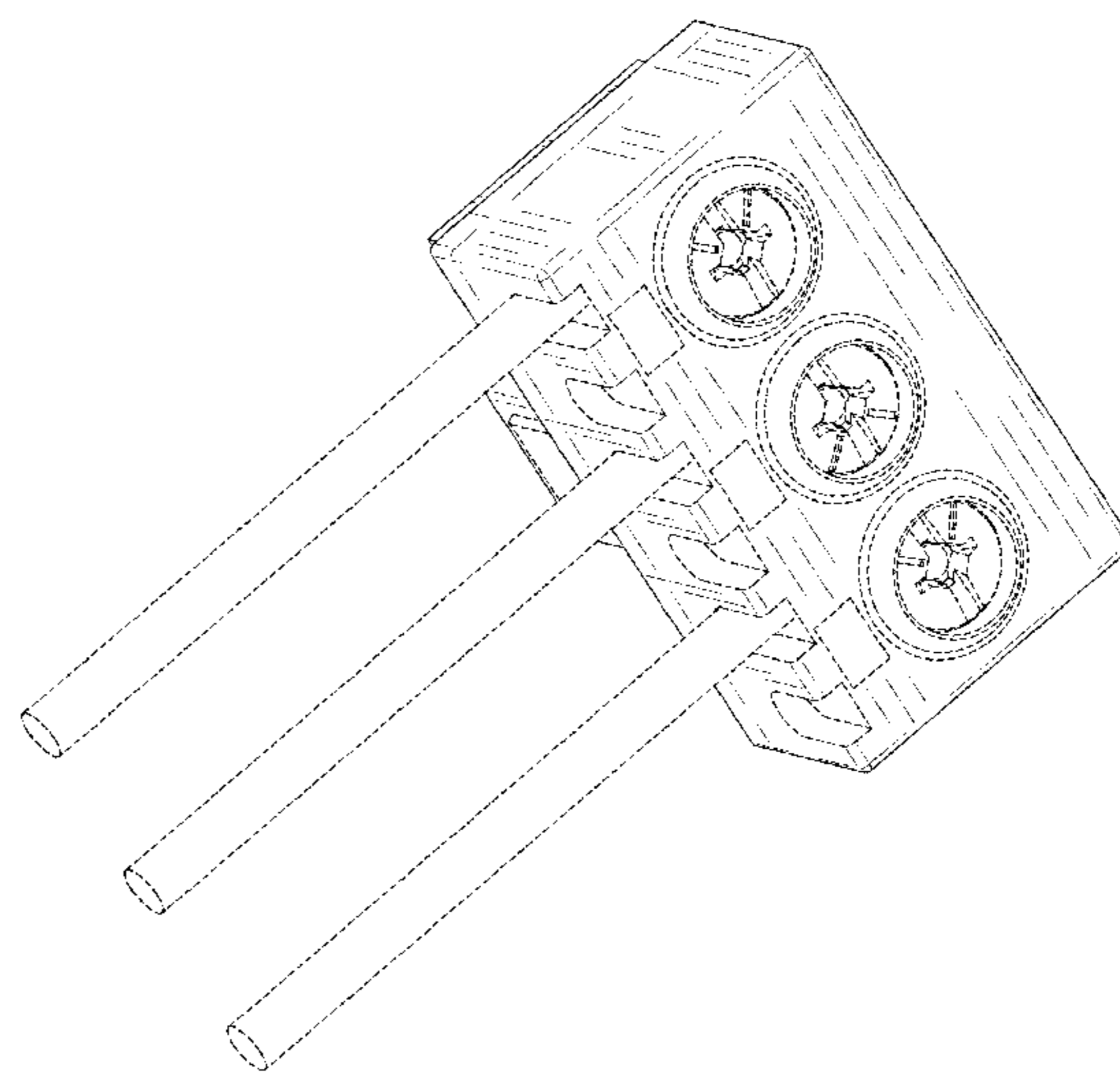
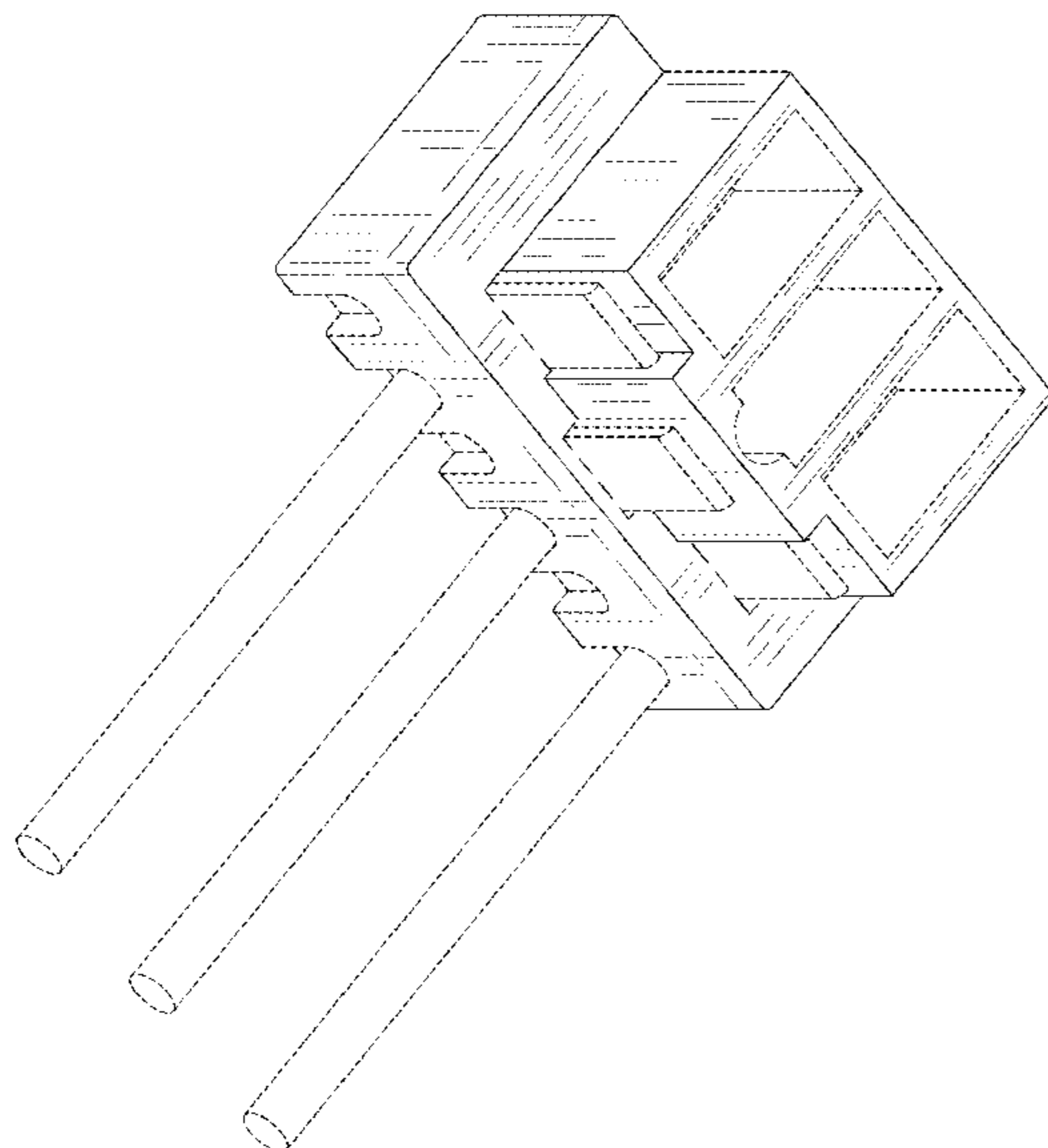
The ornamental design for a plug, as shown and described.

DESCRIPTION

FIG. 1 is an upper rear perspective view of the plug;
FIG. 2 is a lower rear perspective view of the plug;
FIG. 3 is another lower rear perspective view of the plug;
FIG. 4 is a lower frontal perspective view of the plug;
FIG. 5 is a front elevational view of the plug;
FIG. 6 is a left side elevational view of the plug;
FIG. 7 is a right side elevational view of the plug;
FIG. 8 is a rear elevational view of the plug;
FIG. 9 is a top plan view of the plug; and,
FIG. 10 is a bottom plan view of the plug.

The long-dash broken lines are for the purpose of illustrating the boundaries of the claimed design. The short-dash broken lines are for the purpose of illustrating environmental subject matter. None of the broken lines form part of the claimed design.

1 Claim, 8 Drawing Sheets



(56)

References Cited

U.S. PATENT DOCUMENTS

2011/0151690 A1* 6/2011 Friedrich H01R 9/2466
439/78
2016/0118757 A1* 4/2016 Kleinke H01R 9/2491
439/620.21

* cited by examiner

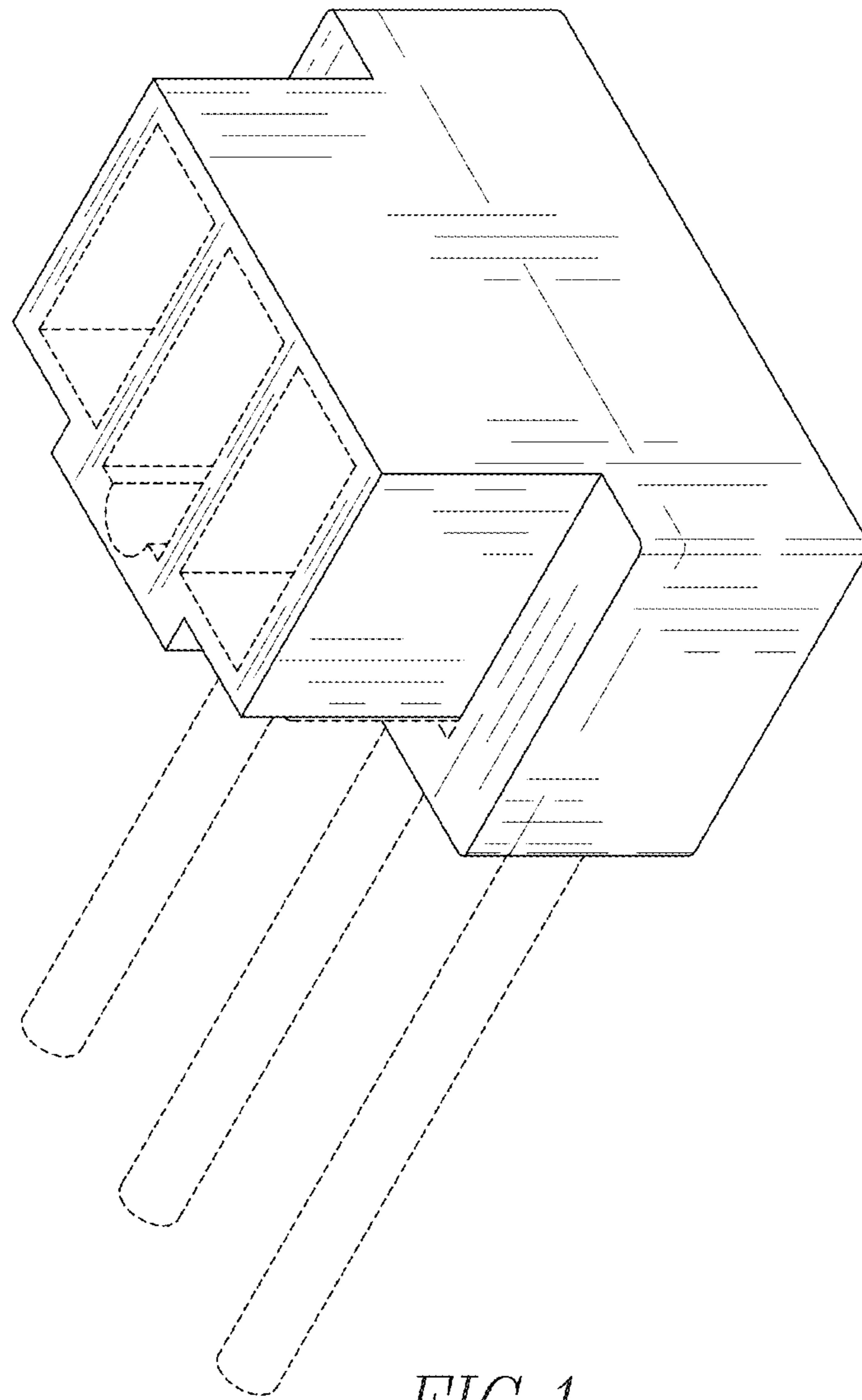


FIG. 1

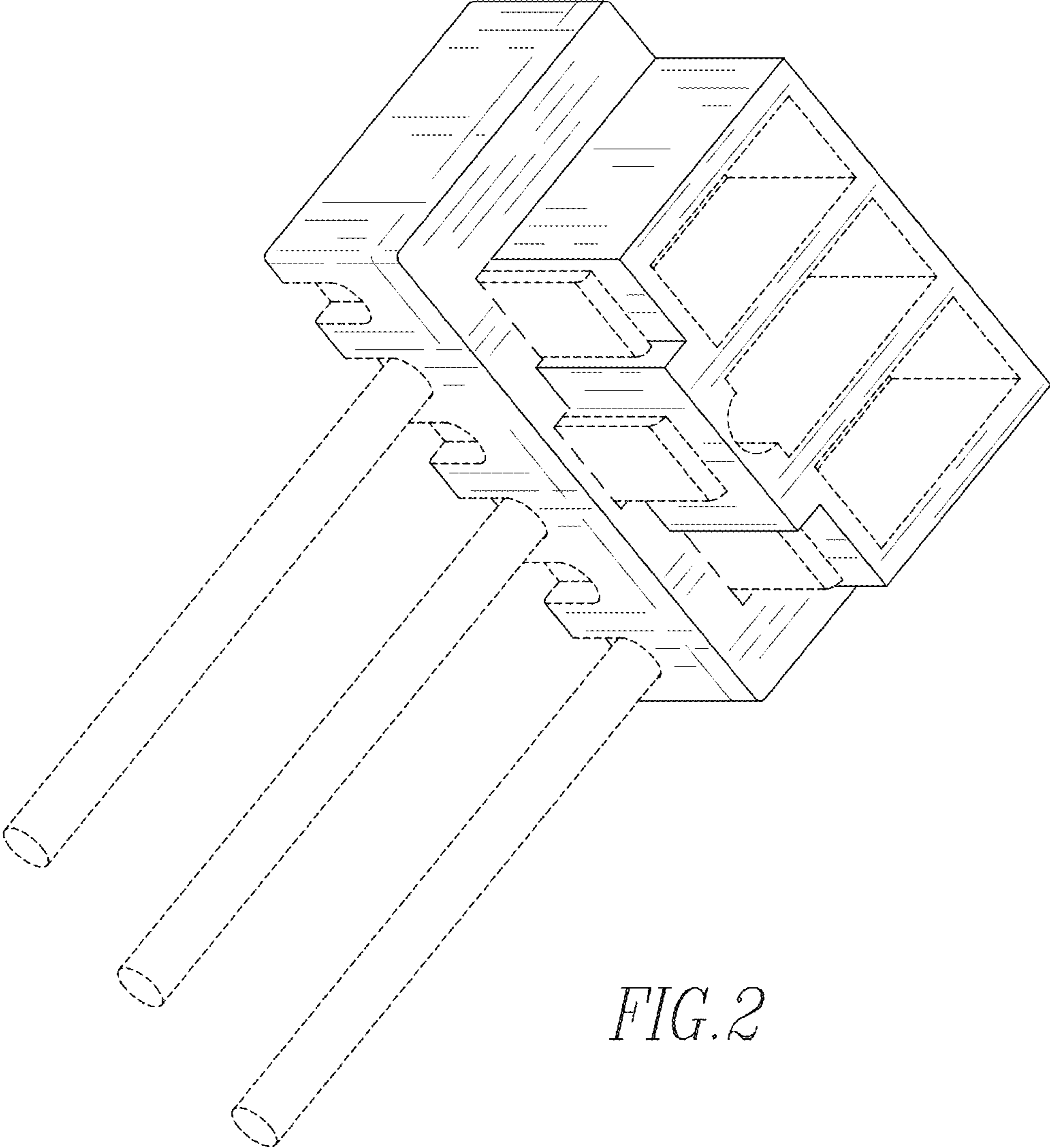


FIG. 2

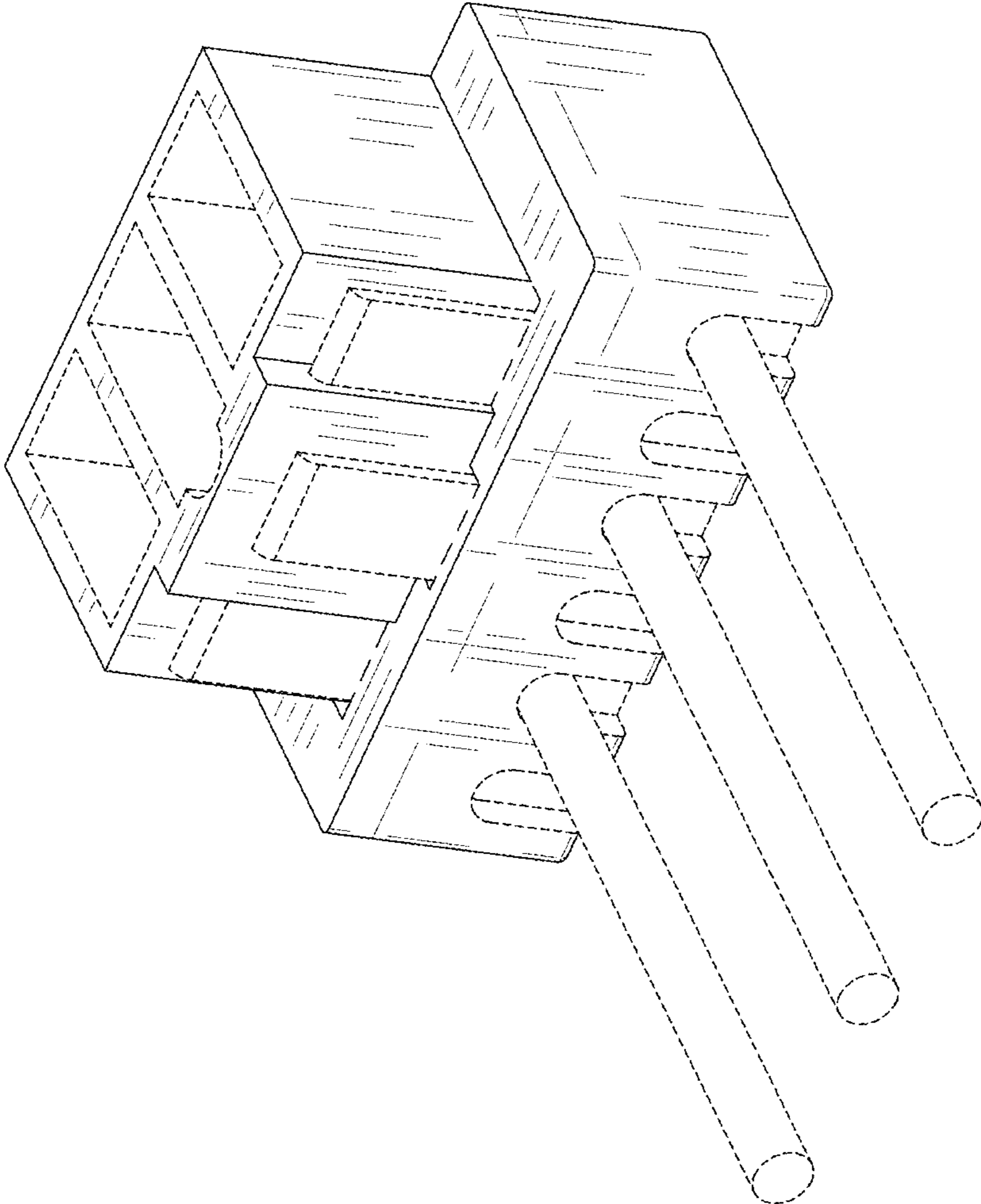


FIG. 3

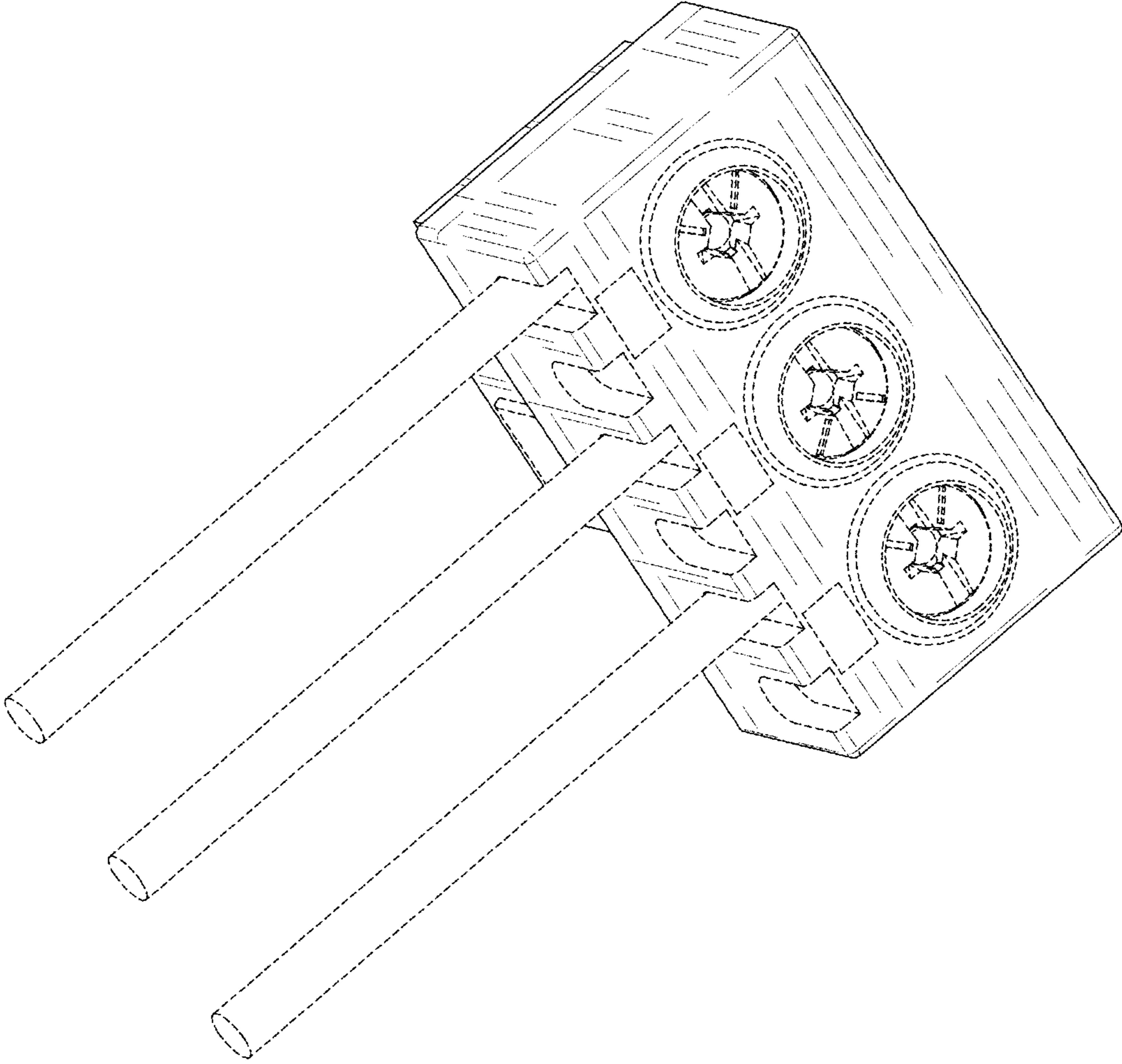


FIG. 4

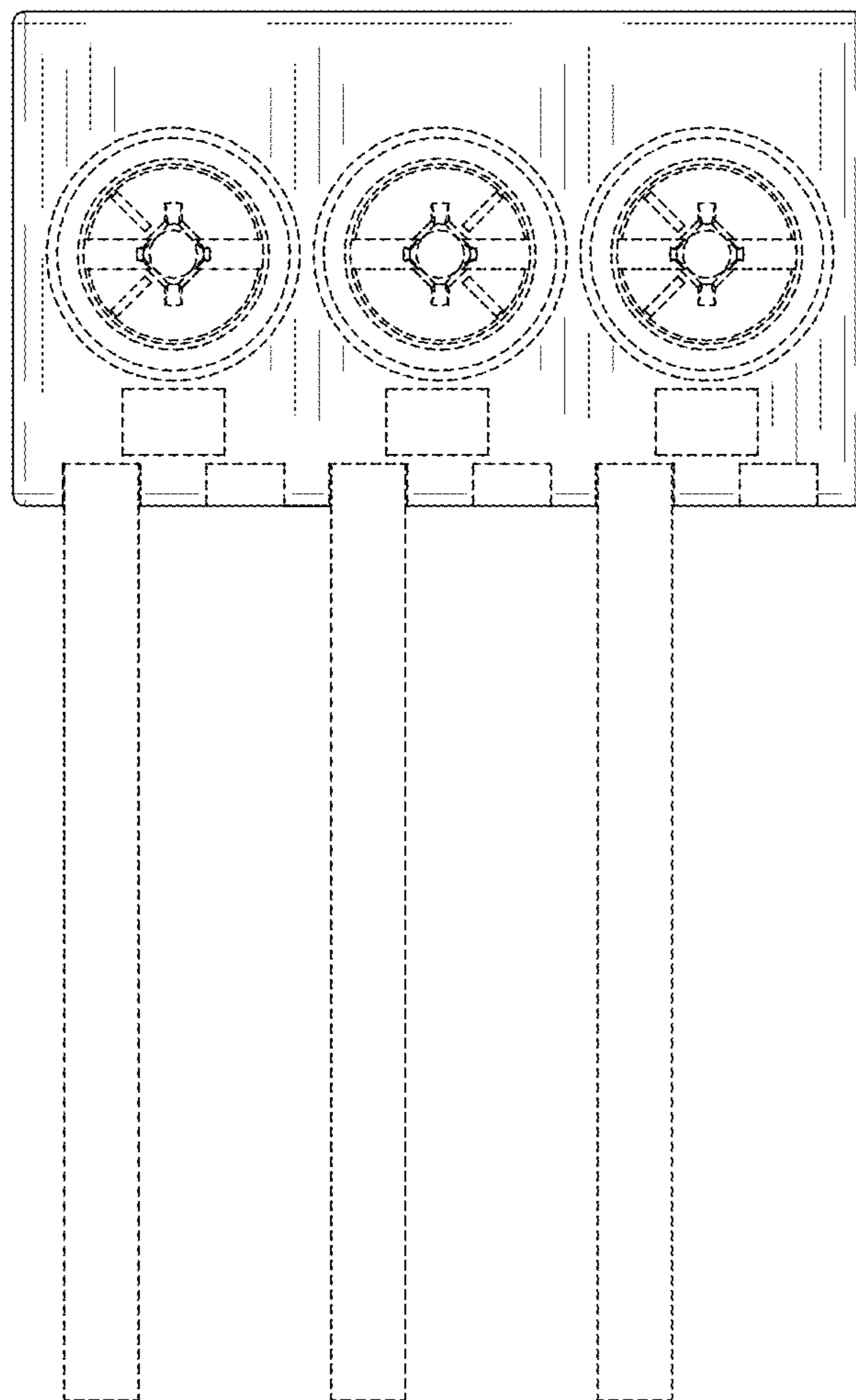


FIG. 5

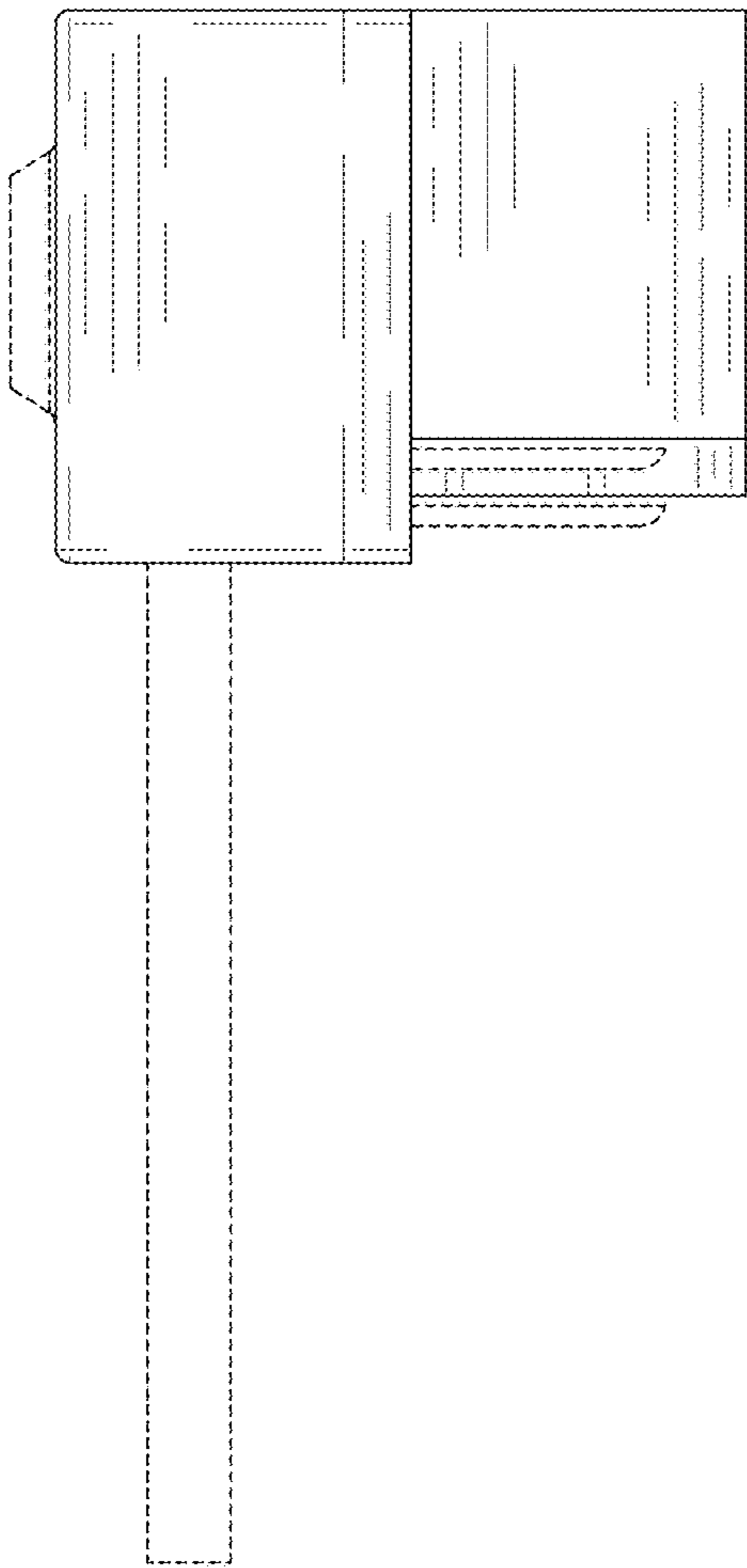


FIG. 6

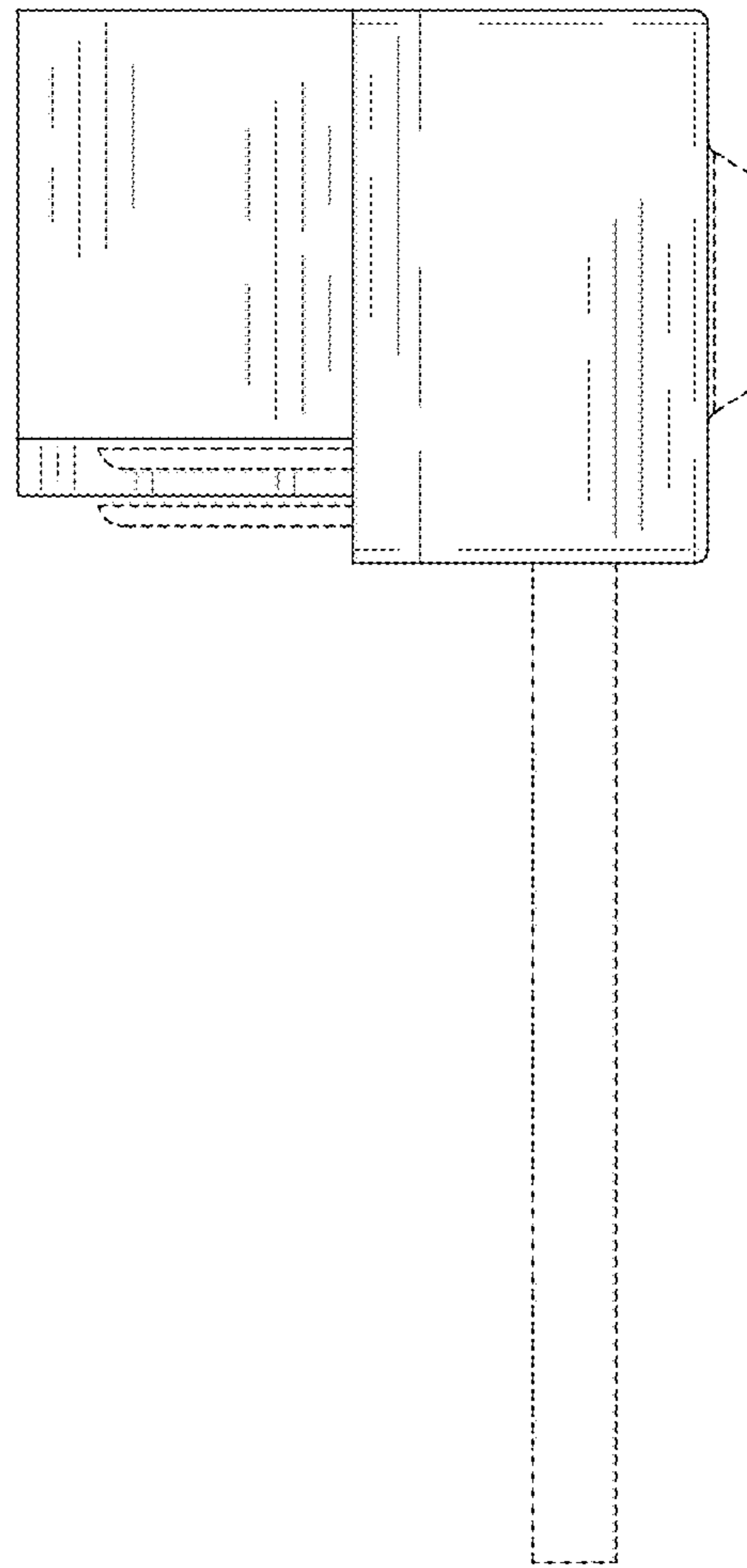


FIG. 7

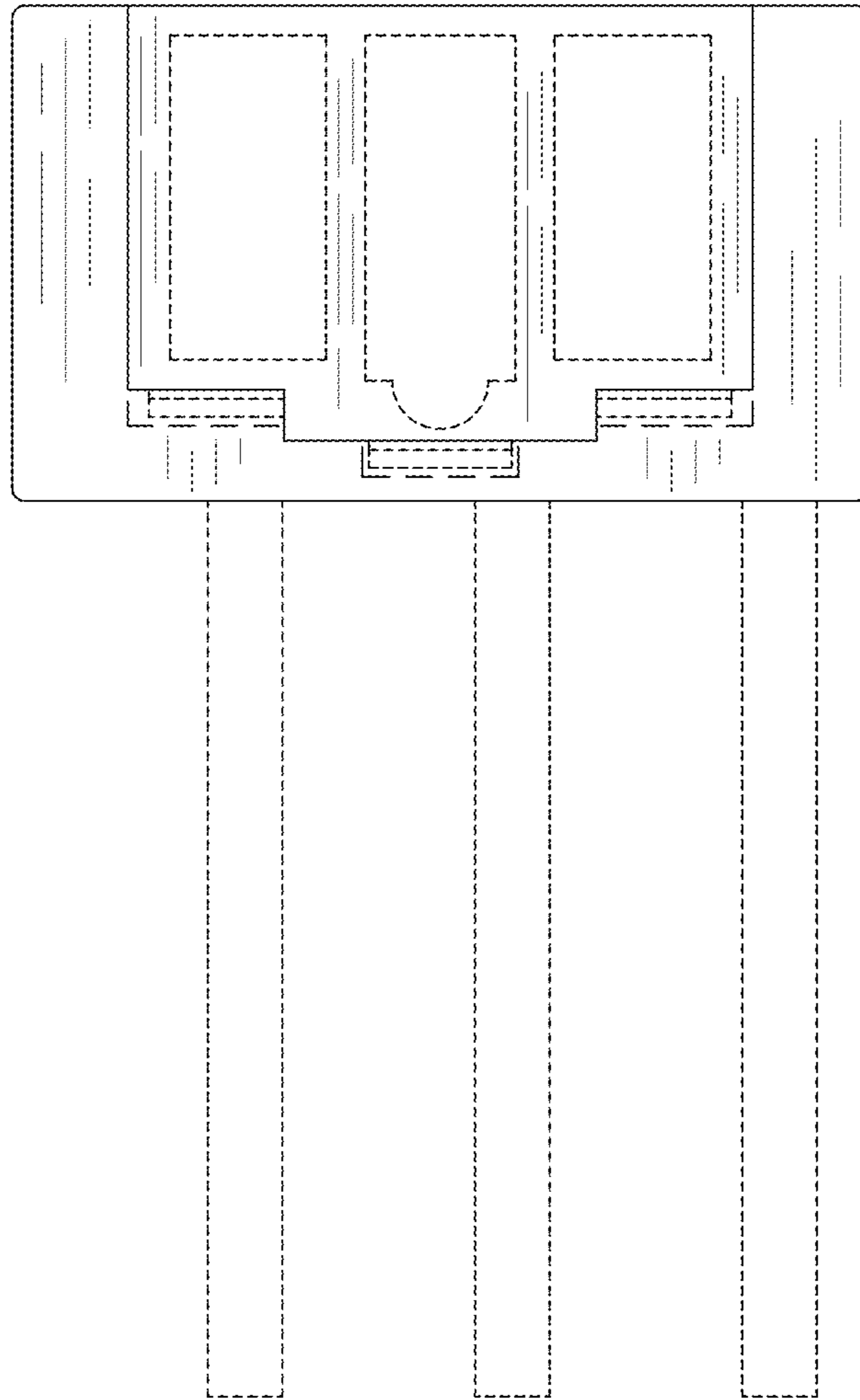


FIG. 8

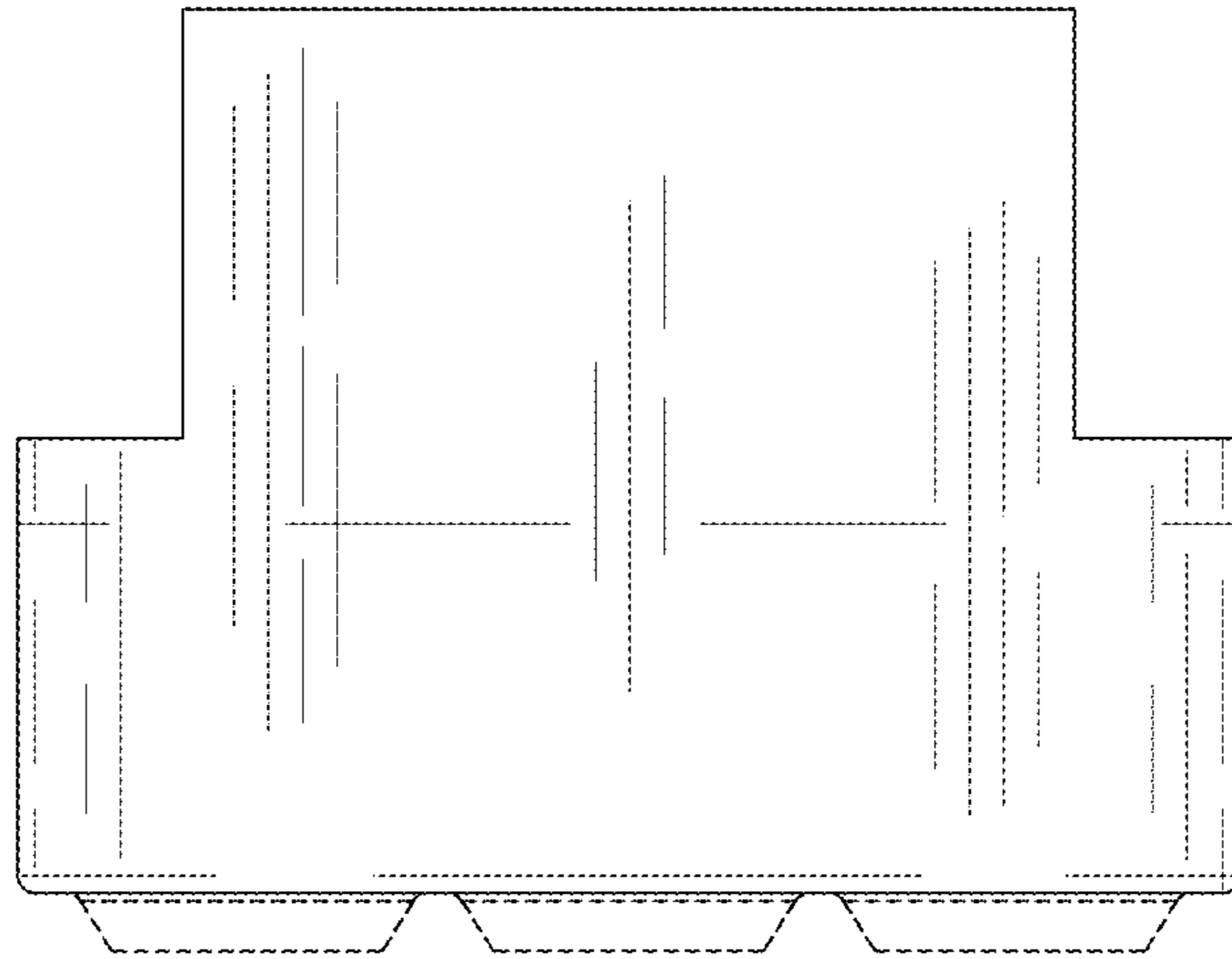


FIG. 9

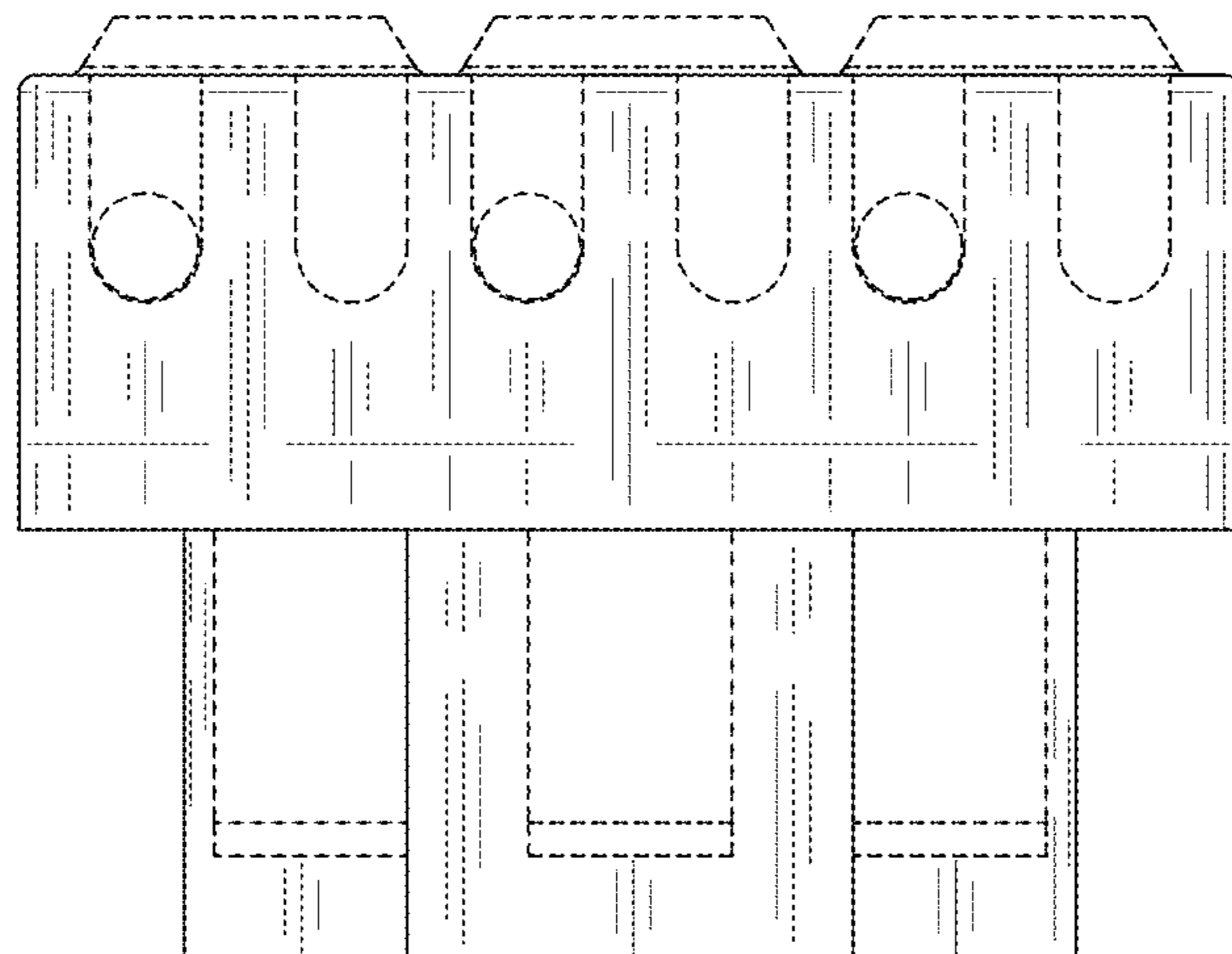


FIG. 10