



US00D805030S

(12) **United States Design Patent** (10) **Patent No.:** **US D805,030 S**  
**Massar** (45) **Date of Patent:** **\*\* Dec. 12, 2017**

- (54) **CHARGER**
- (71) Applicant: **Westhill Innovation, LLC,**  
Mukwonago, WI (US)
- (72) Inventor: **Luke G. Massar,** Mukwonago, WI  
(US)
- (73) Assignee: **Westhill Innovation, LLC,**  
Mukwonago, WI (US)
- (\*\*) Term: **15 Years**
- (21) Appl. No.: **29/573,464**
- (22) Filed: **Aug. 5, 2016**
- (51) **LOC (10) Cl.** ..... **13-02**
- (52) **U.S. Cl.**  
USPC ..... **D13/108**
- (58) **Field of Classification Search**  
USPC ..... D13/102-110, 118-119, 184, 199;  
D14/356, 432  
CPC ..... Y02E 60/10; Y02E 60/12; Y02E 60/122;  
Y02E 60/124; Y02E 60/50; H01M 2/02;  
H01M 2/022; H01M 2/0202; H01M  
2/0207; H01M 2/0212; H01M 2/1061;  
H01M 2/1022; H01M 2/1055; H01M  
2/1066; H01M 2/105; H01M 2/20; H01M  
2/202; H01M 2/204; H01M 2/206; H01M  
10/44; H01M 10/46; H01M 10/465;  
H01M 10/482; H01M 2200/30; H01M  
2250/30; H01M 2250/40; H02J 7/00;  
H02J 7/0003; H02J 7/0011; H02J 7/0013;  
H02J 7/0054; H02J 7/0055; H02J 7/0057;  
H02J 2007/0062  
See application file for complete search history.

- (56) **References Cited**  
U.S. PATENT DOCUMENTS  
4,147,969 A 4/1979 Miller et al.  
6,265,845 B1 7/2001 Bo et al.

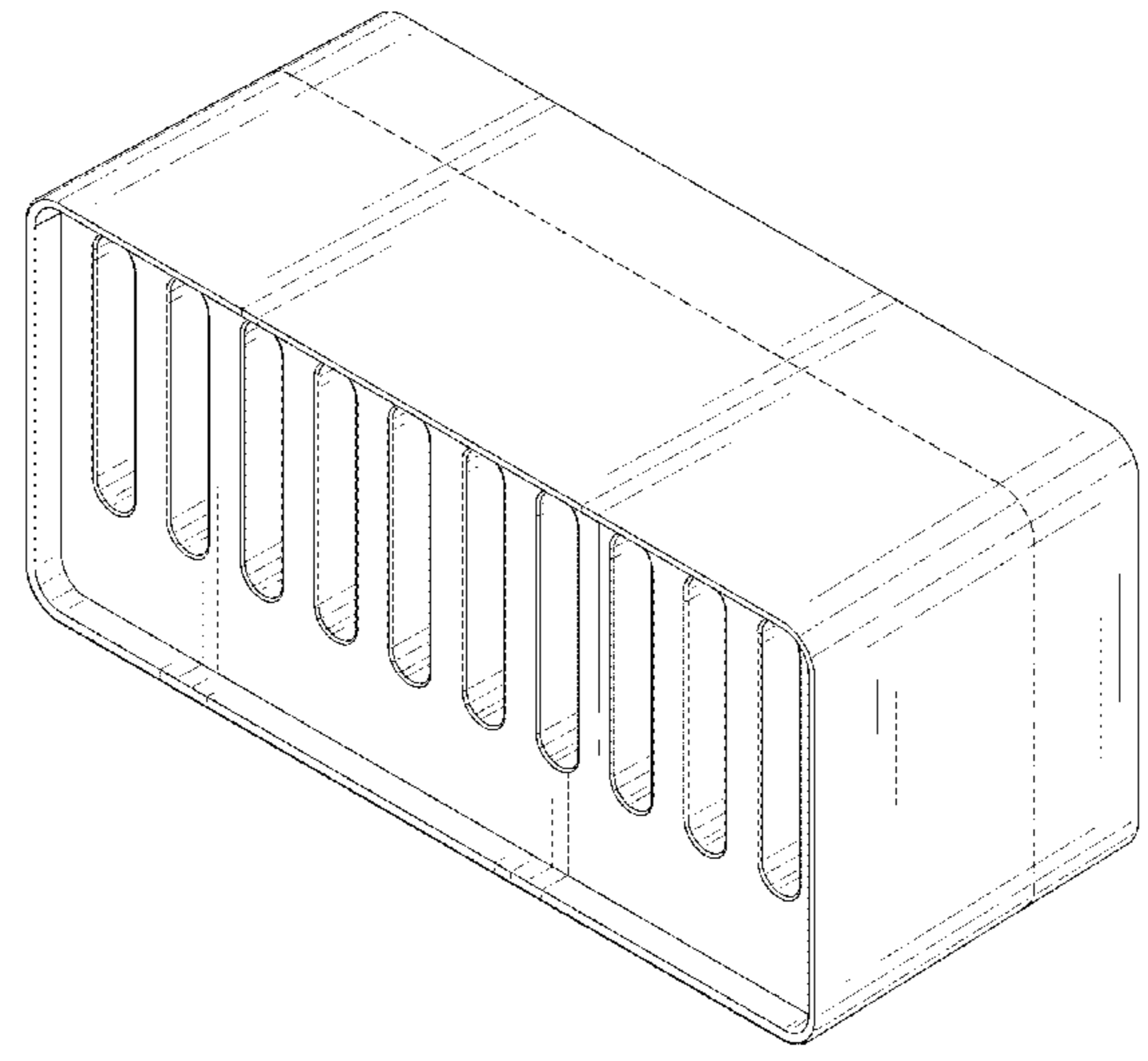
- 6,967,464 B2 11/2005 Heigl et al.
- D609,637 S \* 2/2010 Chu ..... D13/108
- D710,797 S \* 8/2014 Awiszus ..... D13/107
- D722,957 S \* 2/2015 Kotaniemi ..... D13/108
- D747,356 S \* 1/2016 Jou ..... D14/203.1
- D749,042 S \* 2/2016 Gecawicz ..... D13/107
- 9,276,423 B2 \* 3/2016 Yang ..... H02J 7/0044
- D755,122 S \* 5/2016 Gecawicz ..... D13/107
- 9,350,182 B2 \* 5/2016 Han ..... H02J 7/0042
- D789,932 S \* 6/2017 Chu ..... D14/388
- 2009/0051313 A1 2/2009 Yoshimura et al.
- 2009/0210609 A1 \* 8/2009 Learmonth ..... G06F 13/385  
710/316
- 2010/0176761 A1 7/2010 Suzuki et al.
- 2015/0171482 A1 \* 6/2015 Lee ..... H01M 10/425  
429/121
- 2016/0202743 A1 \* 7/2016 Li ..... G06F 1/26  
710/313
- 2017/0054314 A1 \* 2/2017 Tang ..... H02J 7/0045

\* cited by examiner  
*Primary Examiner* — Rosemary K Tarcza  
*Assistant Examiner* — Alison M Ofstun  
(74) *Attorney, Agent, or Firm* — Manatt, Phelps & Phillips, LLP

(57) **CLAIM**  
The ornamental design for a charger, as shown and described.

**DESCRIPTION**  
FIG. 1 is a front, top, and right side perspective view of a charger;  
FIG. 2 is a front view thereof;  
FIG. 3 is a rear view thereof;  
FIG. 4 is a left side view thereof, the right side being a mirror image thereof;  
FIG. 5 is a top side view thereof; and,  
FIG. 6 is a bottom view thereof.  
The broken lines present in the drawings are included for the purpose of illustrating portions of the article which form no part of the claimed design.

**1 Claim, 6 Drawing Sheets**



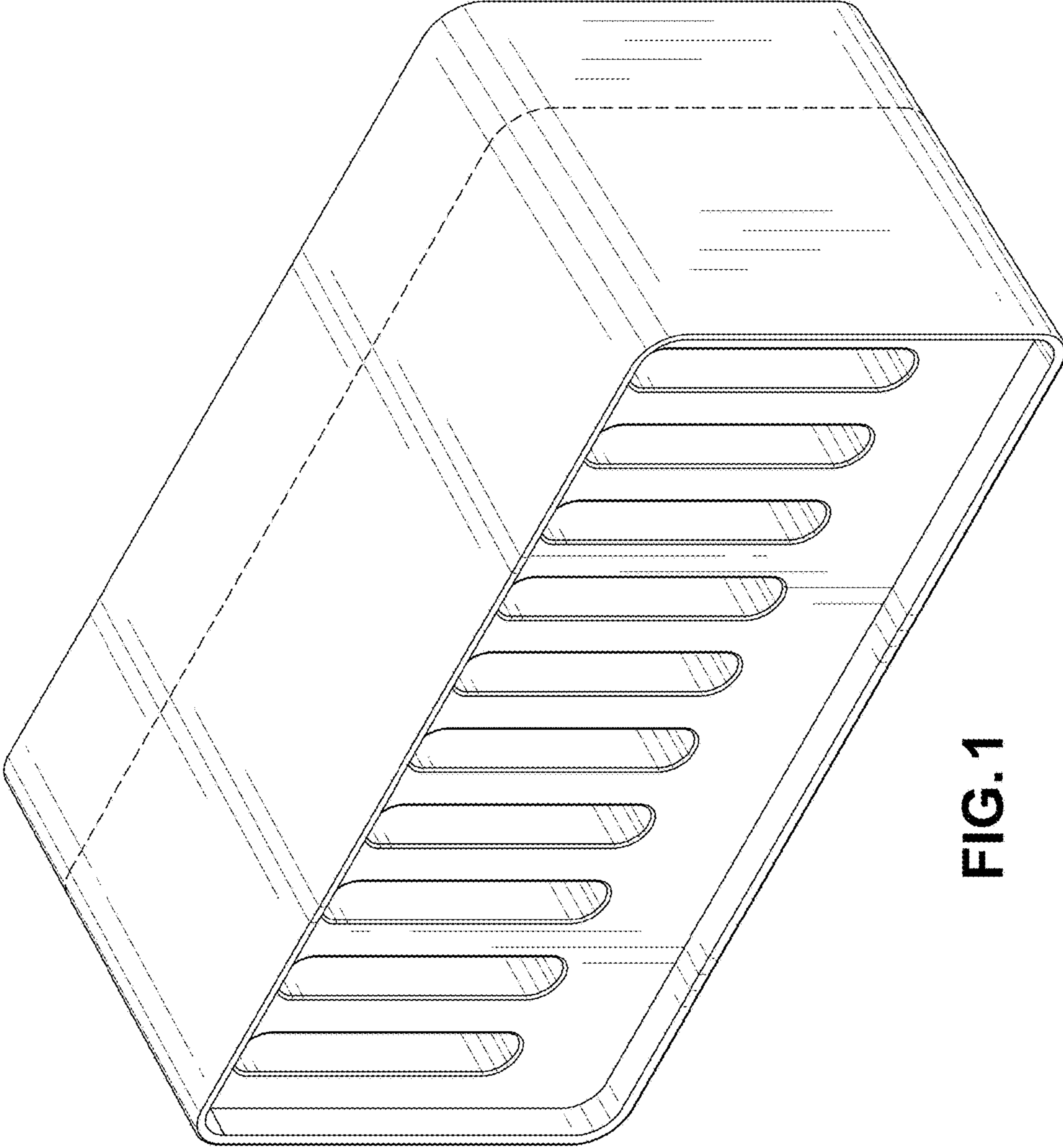
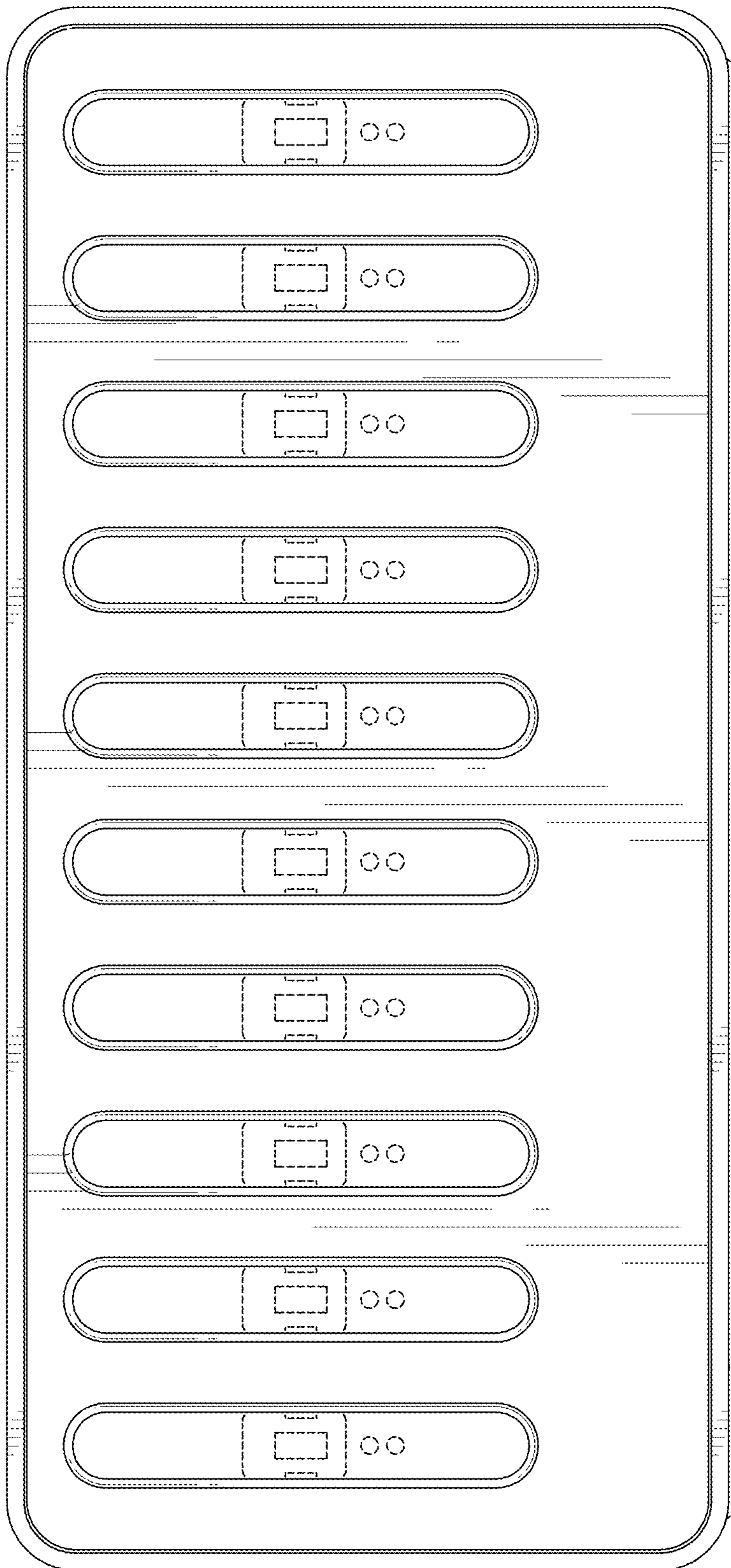
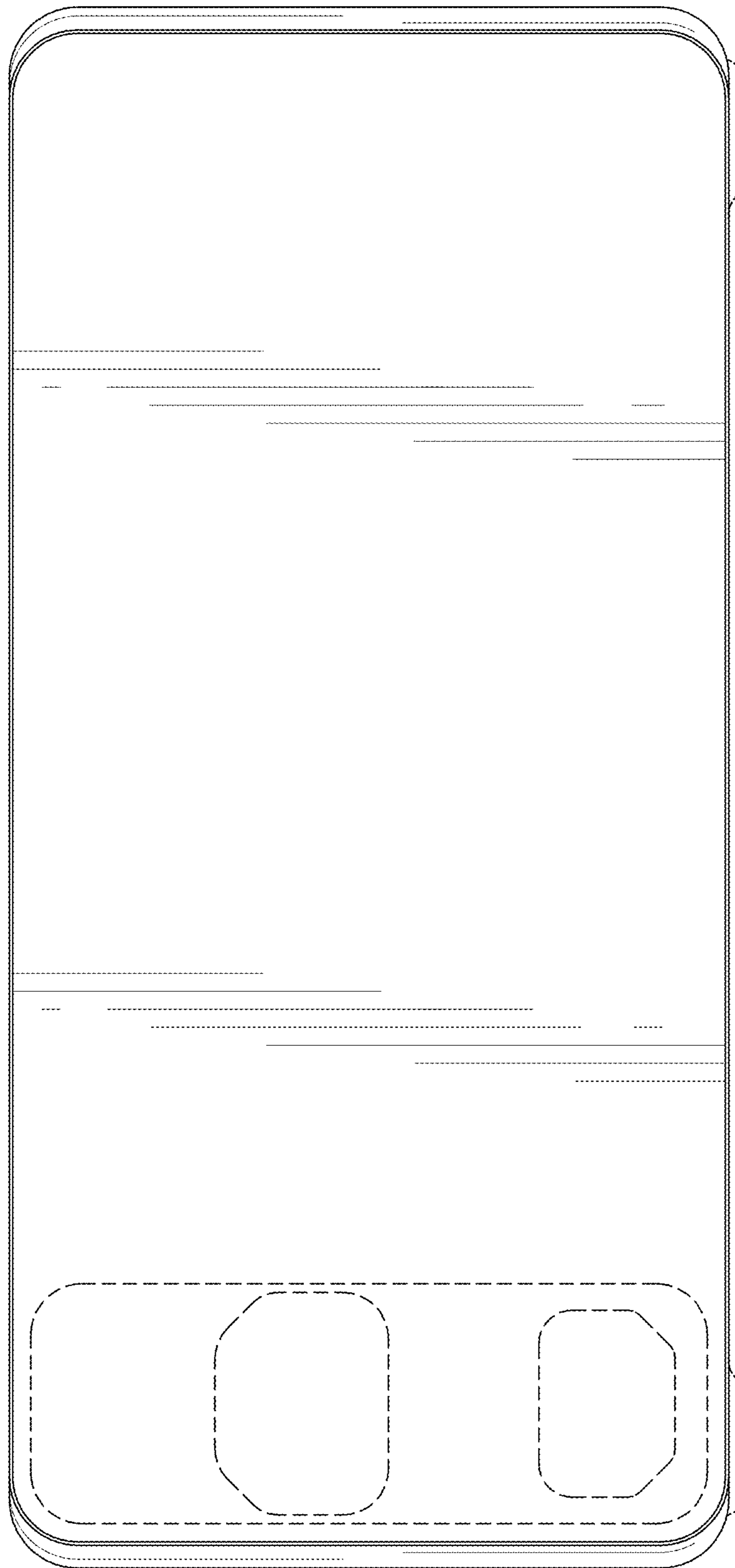


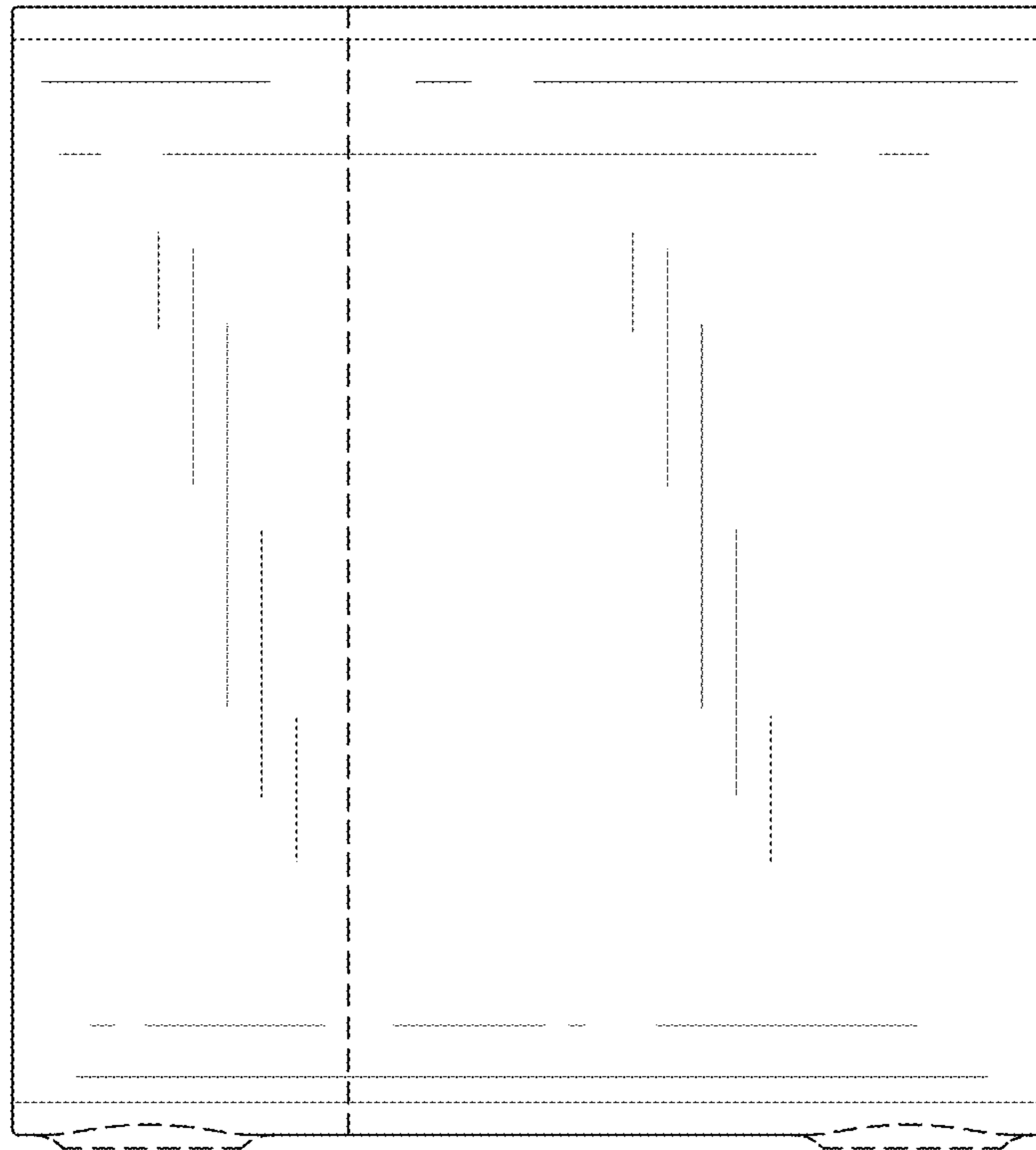
FIG.1



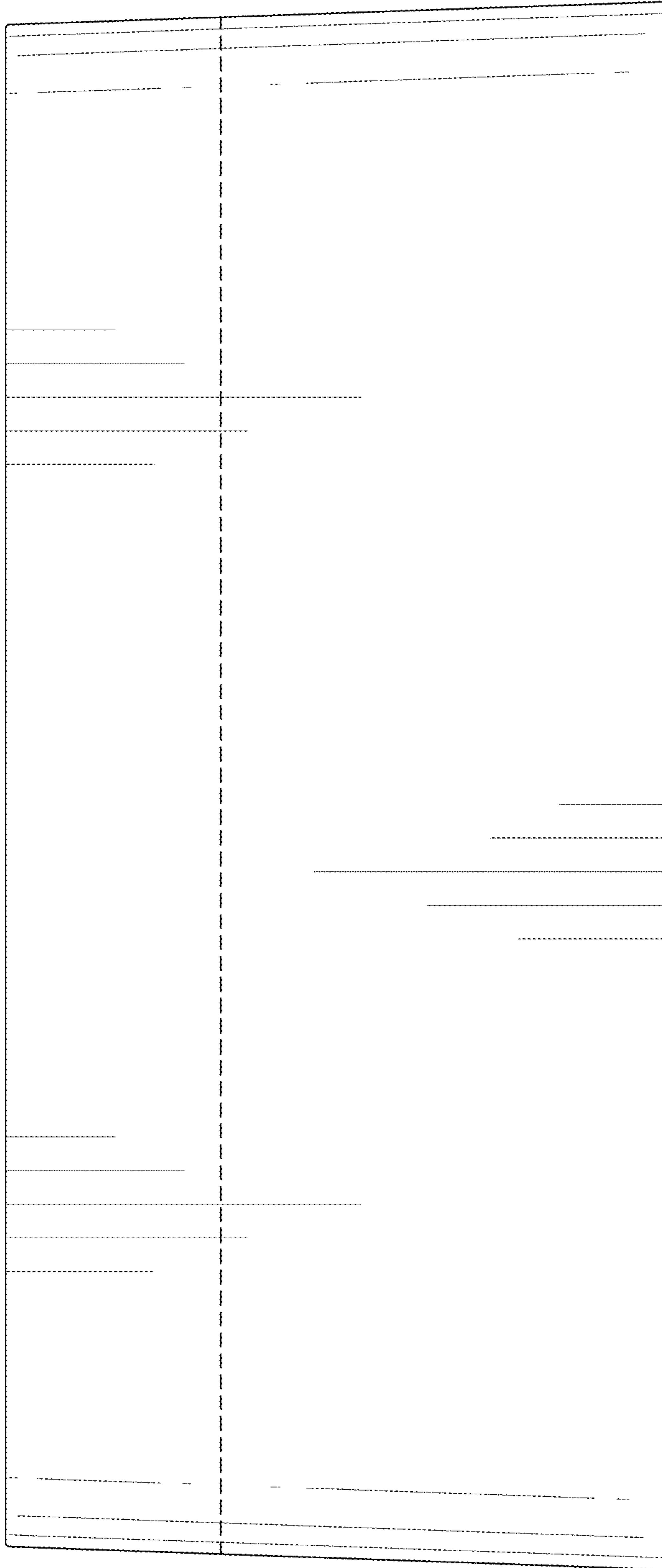
**FIG. 2**



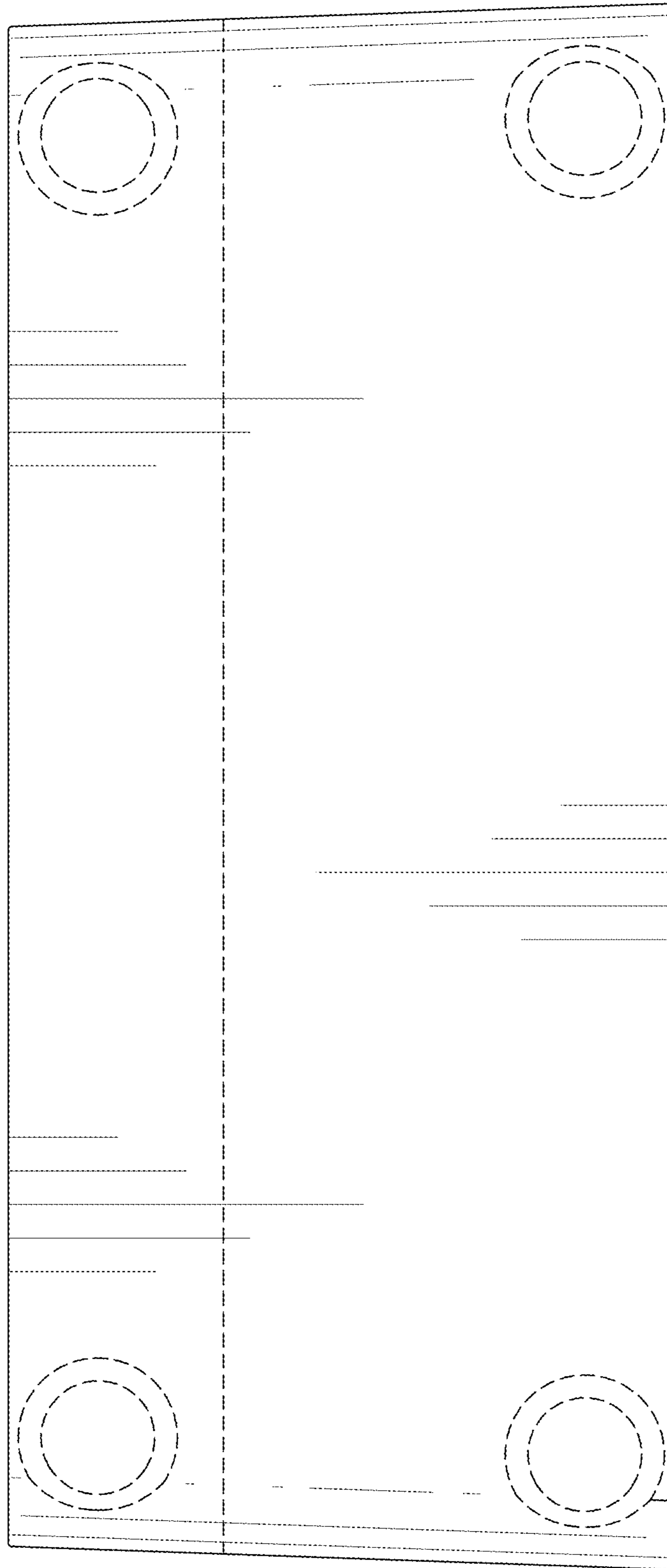
**FIG. 3**



**FIG. 4**



**FIG. 5**



**FIG. 6**