



US00D805029S

(12) **United States Design Patent** (10) **Patent No.:** **US D805,029 S**  
**Zhao** (45) **Date of Patent:** **\*\* Dec. 12, 2017**

(54) **MOBILE POWER PACK**  
(71) Applicant: **INNO INSTRUMENT (CHINA)**  
**.INC, WeiHai (CN)**  
(72) Inventor: **Yangri Zhao, WeiHai (CN)**  
(73) Assignee: **INNO INSTRUMENT (CHINA)**  
**.INC, Weihai (CN)**  
(\*\*) Term: **15 Years**

(21) Appl. No.: **29/577,838**

(22) Filed: **Sep. 15, 2016**

(30) **Foreign Application Priority Data**

Apr. 5, 2016 (CN) ..... 2016 3 0108161

(51) **LOC (10) Cl.** ..... **13-02**

(52) **U.S. Cl.**  
USPC ..... **D13/107**

(58) **Field of Classification Search**  
USPC ..... D13/102-106, 110, 118-119, 184,  
D13/107-109; D14/251, 253, 432, 434;  
D15/9

CPC ..... Y02E 60/12; Y02T 90/14; Y02T 90/122;  
Y02T 90/128; Y02T 90/163; Y02T  
10/7005; Y02T 10/705; Y02T 10/7088;  
H02J 7/025; H02J 7/0042; H02J 7/0044;  
H02J 7/0045; H02J 7/0003; H02J 7/0034;  
H02J 7/0054; H02J 7/1423; H02J  
2001/006; H01F 38/14; H01R 13/6675;  
H01M 2/1022; H01M 2/1055; H01M  
10/44; H01M 10/46; H01M 10/425; B60L  
11/182

See application file for complete search history.

(56) **References Cited**

**U.S. PATENT DOCUMENTS**

D506,724 S \* 6/2005 Hriscu ..... D13/107  
D530,271 S \* 10/2006 Hriscu ..... D13/107

D530,272 S \* 10/2006 Hulden ..... D13/107  
D549,170 S \* 8/2007 Yen ..... D13/107  
D620,886 S \* 8/2010 Flattinger ..... D13/110  
D625,255 S \* 10/2010 DuMelle ..... D13/107  
D626,576 S \* 11/2010 Gramatyka ..... D15/144  
D635,090 S \* 3/2011 DuMelle ..... D13/107  
D654,519 S \* 2/2012 Wujczak ..... D15/144  
D697,026 S \* 1/2014 Dasbach ..... D13/108  
2003/0039118 A1 \* 2/2003 Osiecki ..... F21L 4/00  
362/208  
2007/0285049 A1 \* 12/2007 Krieger ..... H01M 2/1055  
320/105  
2016/0153626 A1 \* 6/2016 Ozaka ..... H02J 7/0031  
362/86

\* cited by examiner

*Primary Examiner* — Rosemary K Tarcza

*Assistant Examiner* — Alison M Ofstun

(74) *Attorney, Agent, or Firm* — Anova Law Group,  
PLLC

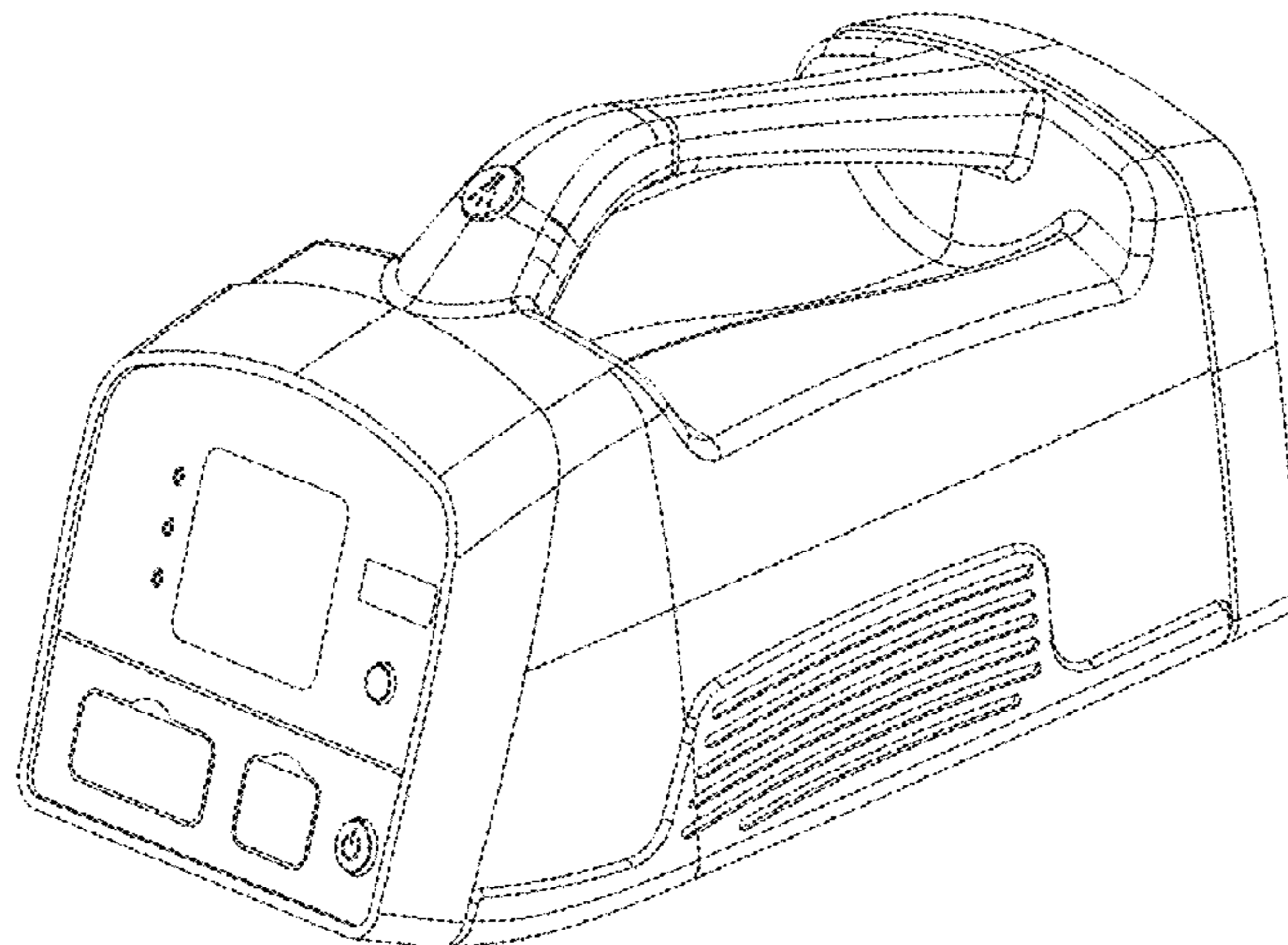
(57) **CLAIM**

The ornamental design for a mobile power pack, as shown  
and described.

**DESCRIPTION**

FIG. 1 is a front view of a mobile power pack, showing my  
new design;  
FIG. 2 is a rear view thereof;  
FIG. 3 is a left view thereof;  
FIG. 4 is a right view thereof;  
FIG. 5 is a top view thereof;  
FIG. 6 is a bottom view thereof; and,  
FIG. 7 is a perspective view thereof.  
The broken lines present in the drawings are included for the  
purpose of illustrating portions of the article which form no  
part of the claimed design.

**1 Claim, 6 Drawing Sheets**



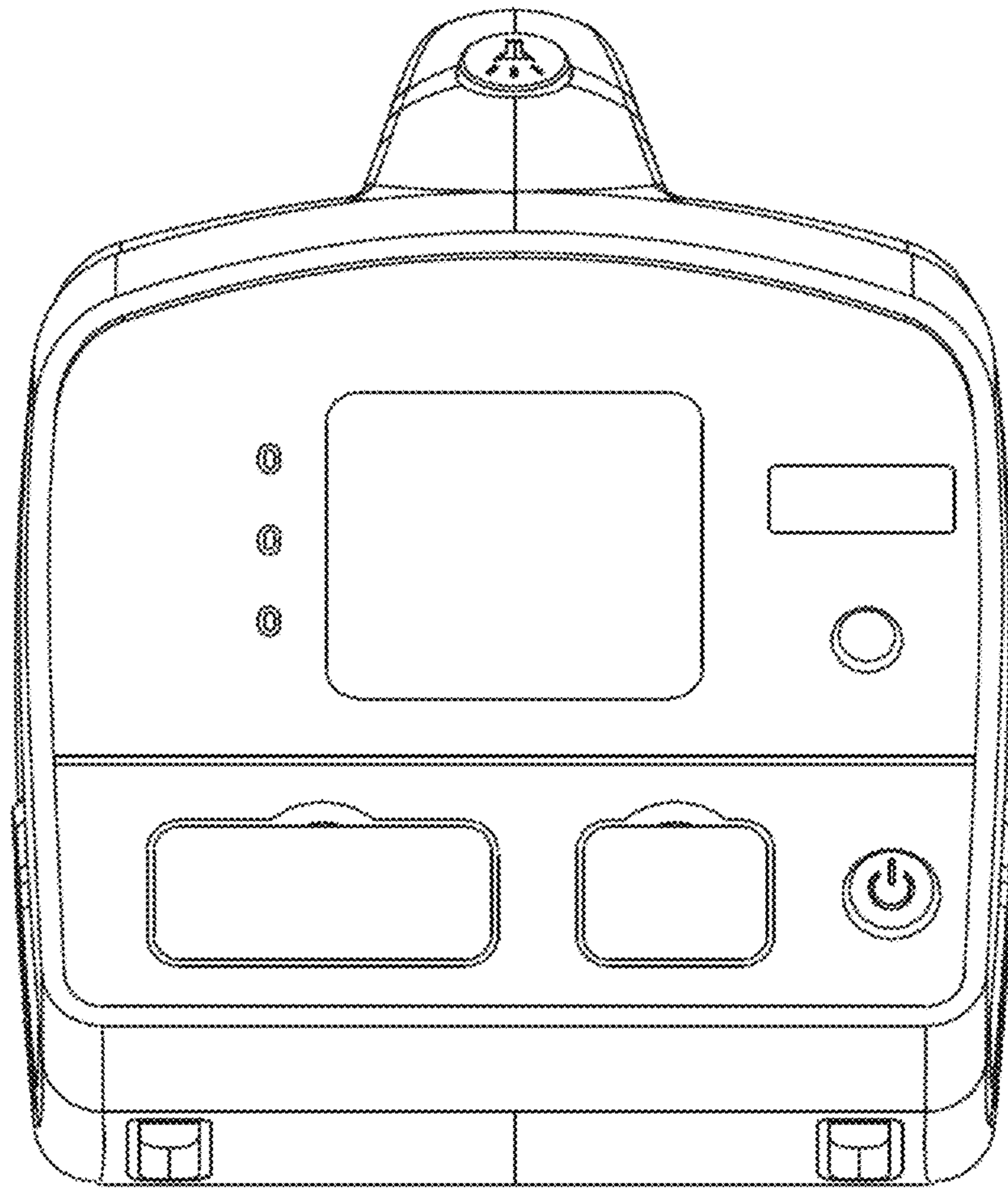


FIG. 1

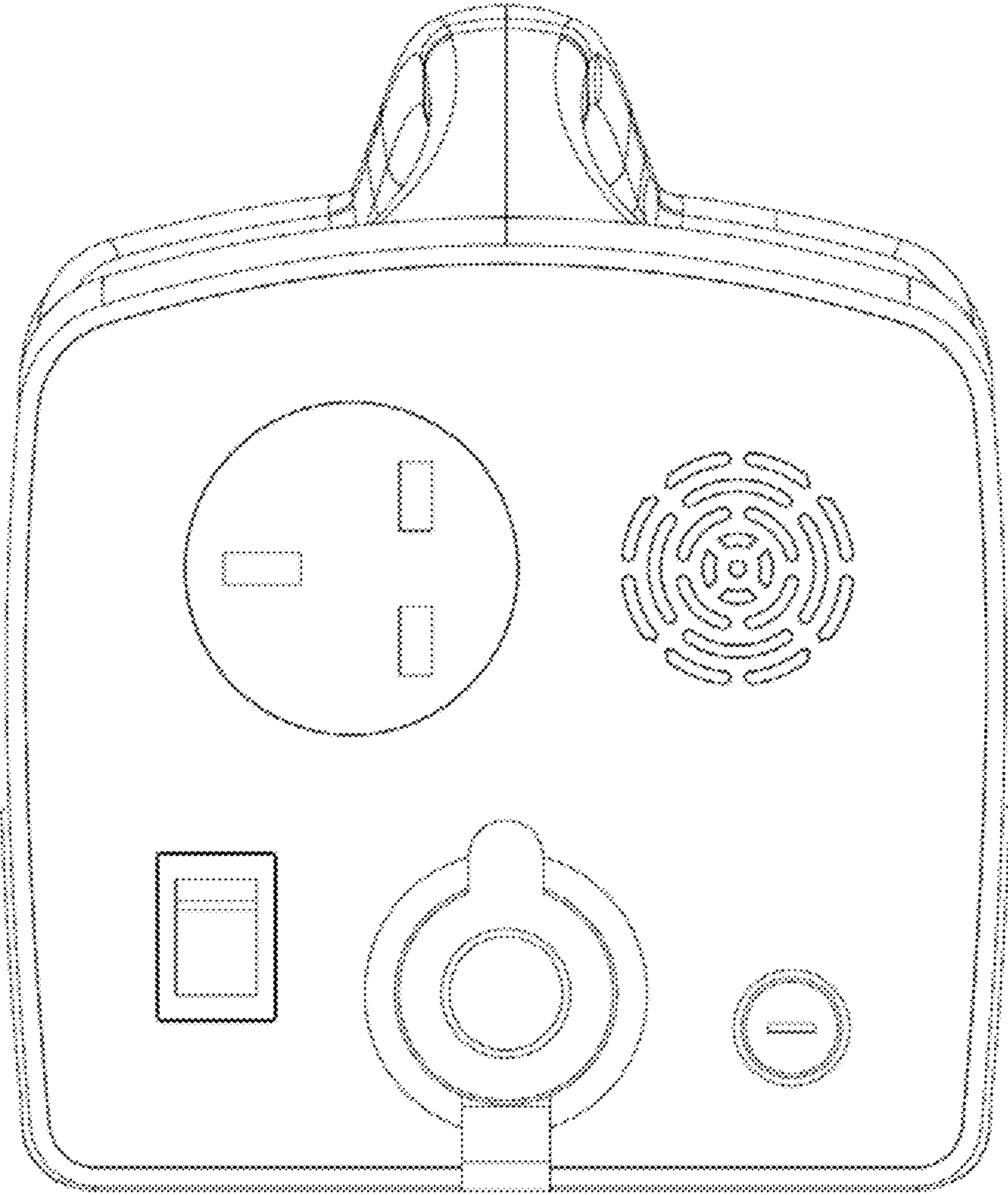


FIG. 2

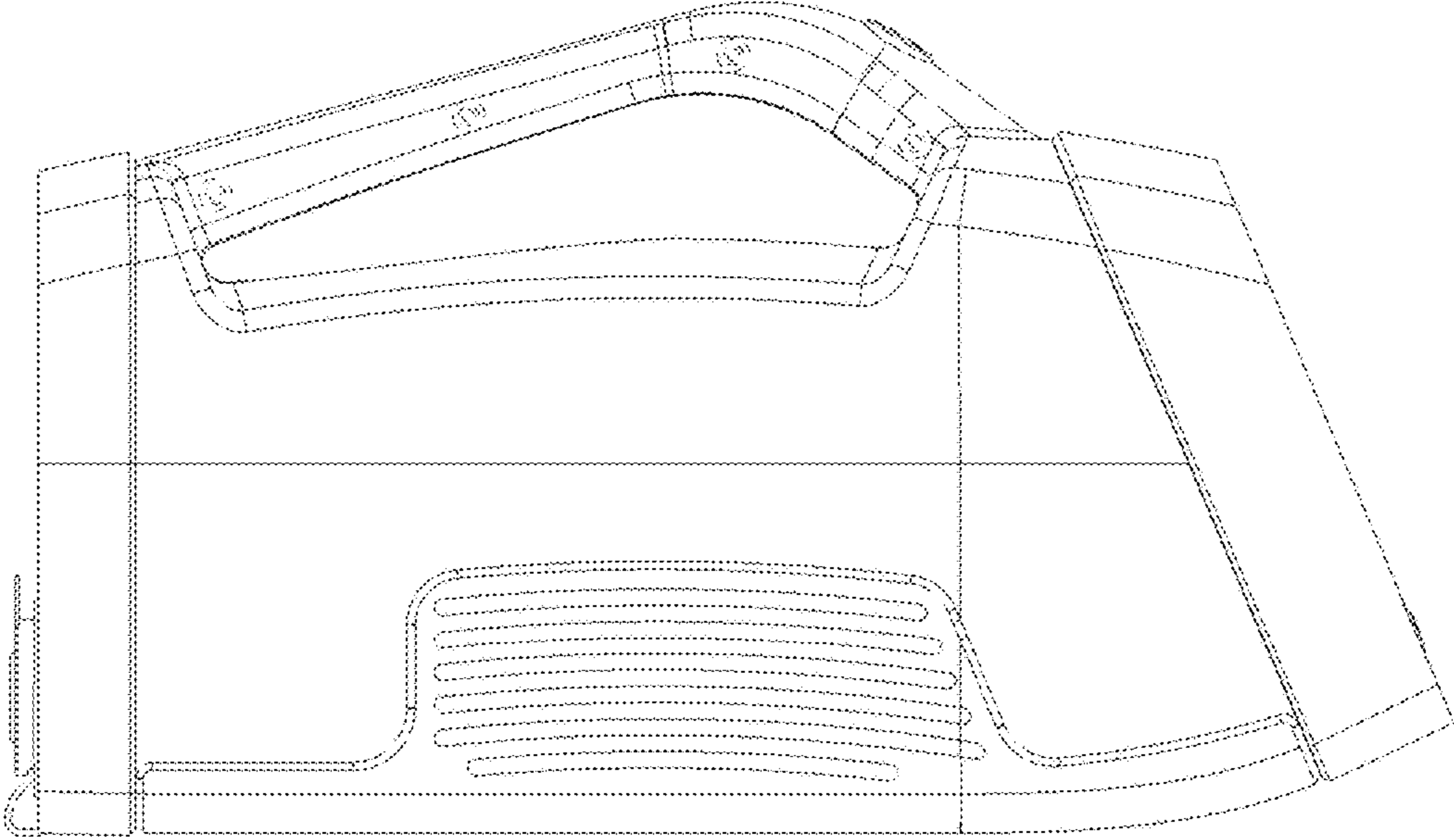


FIG. 3

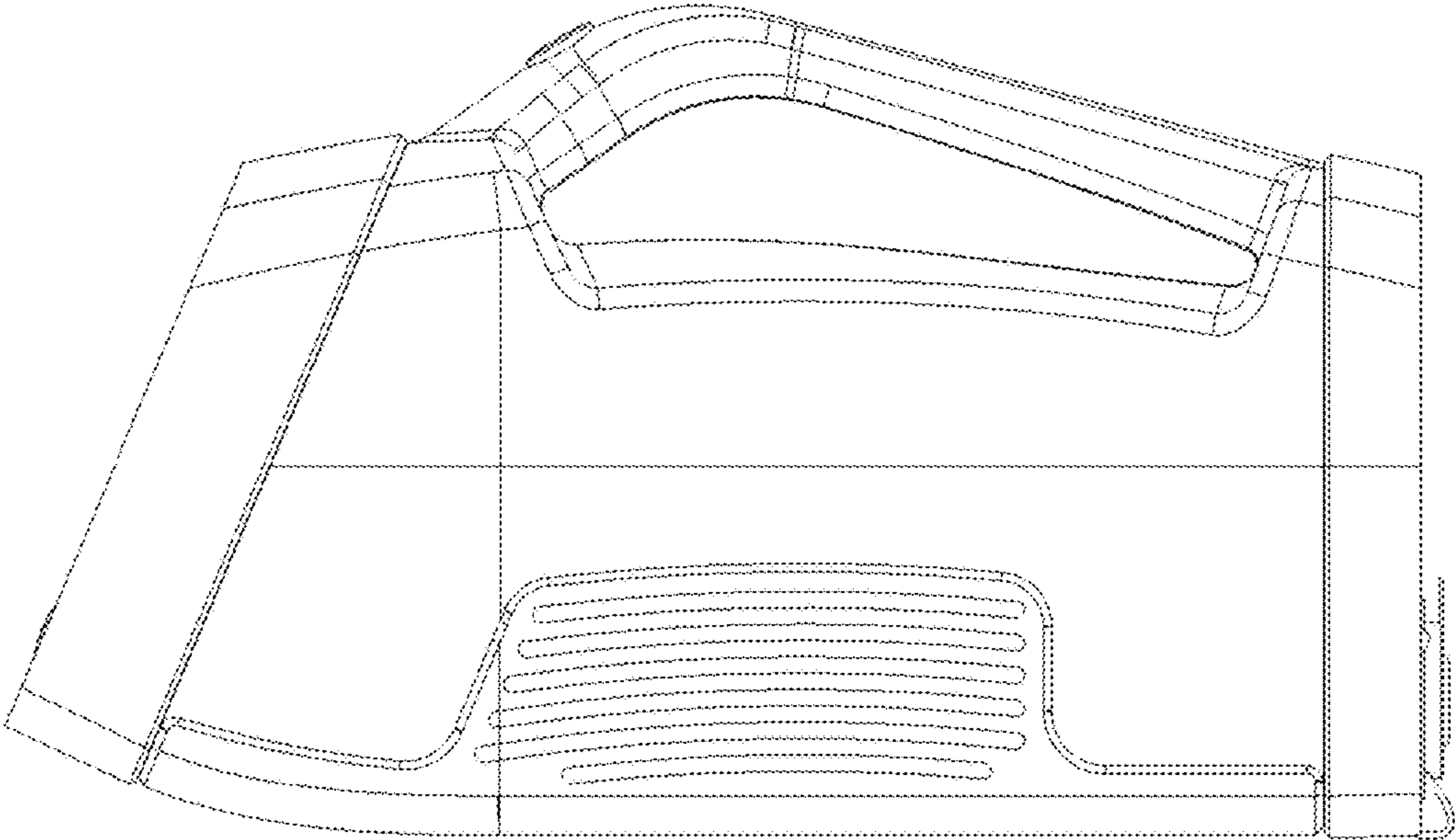


FIG. 4

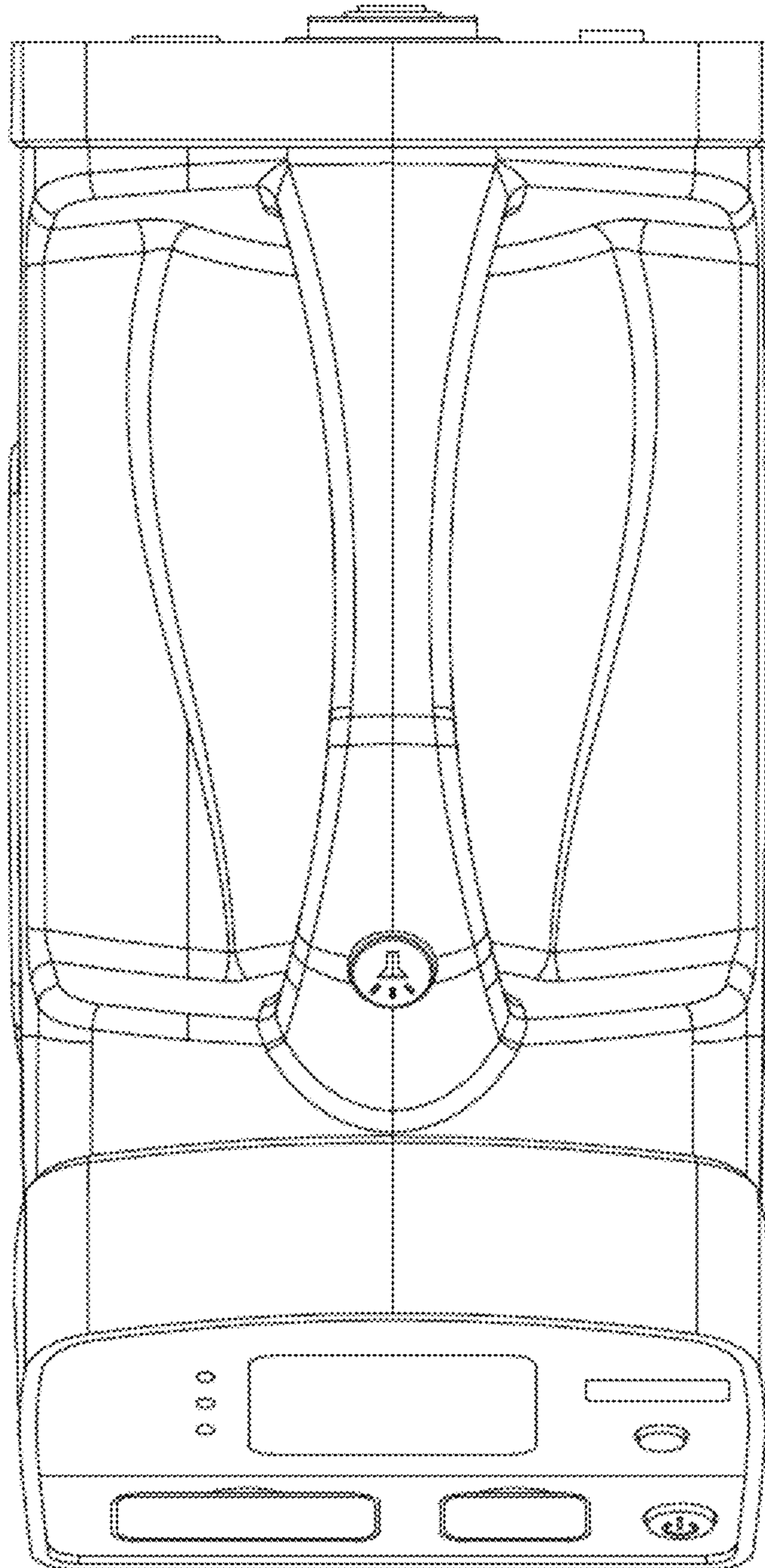


FIG. 5

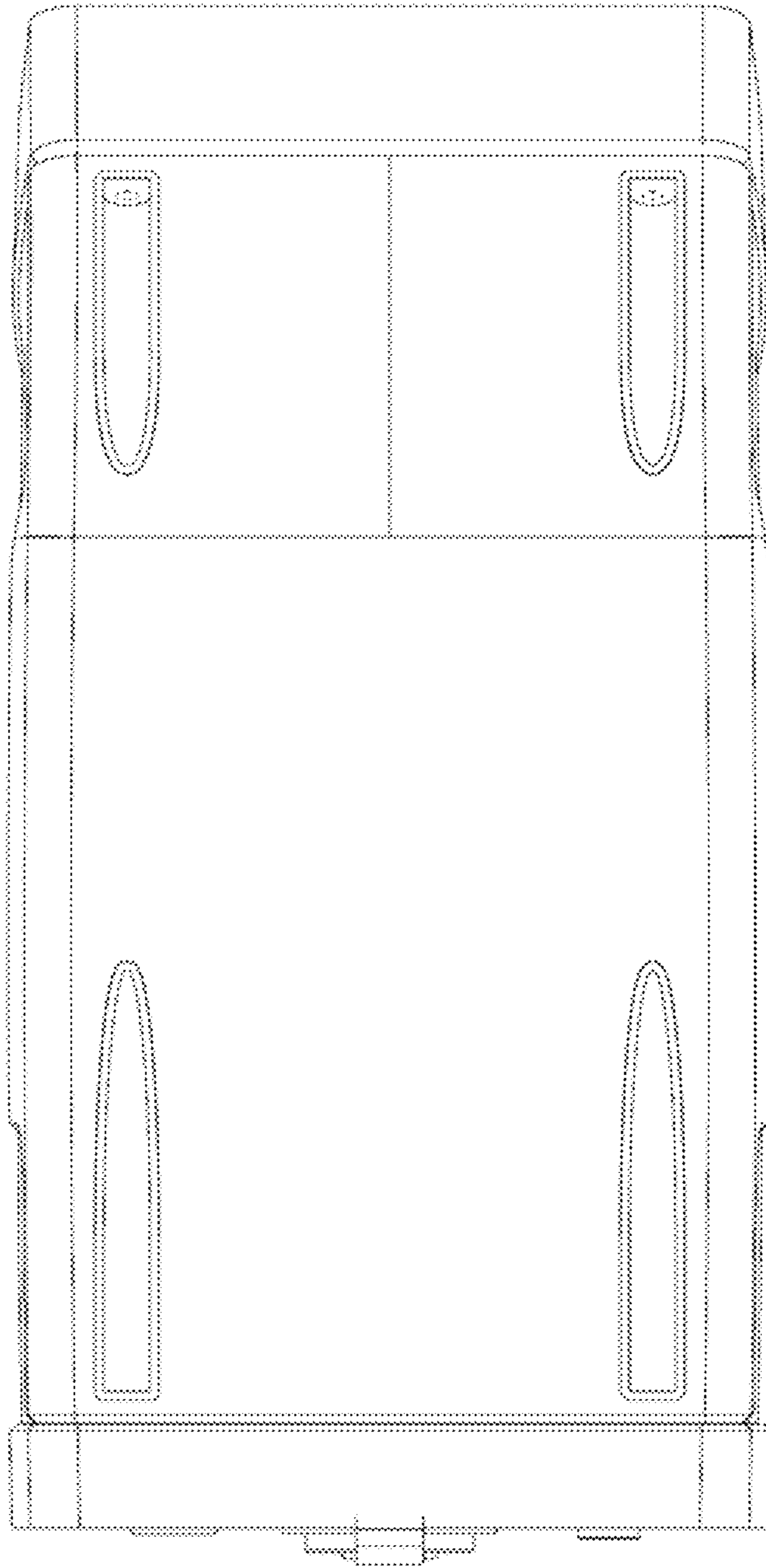


FIG. 6

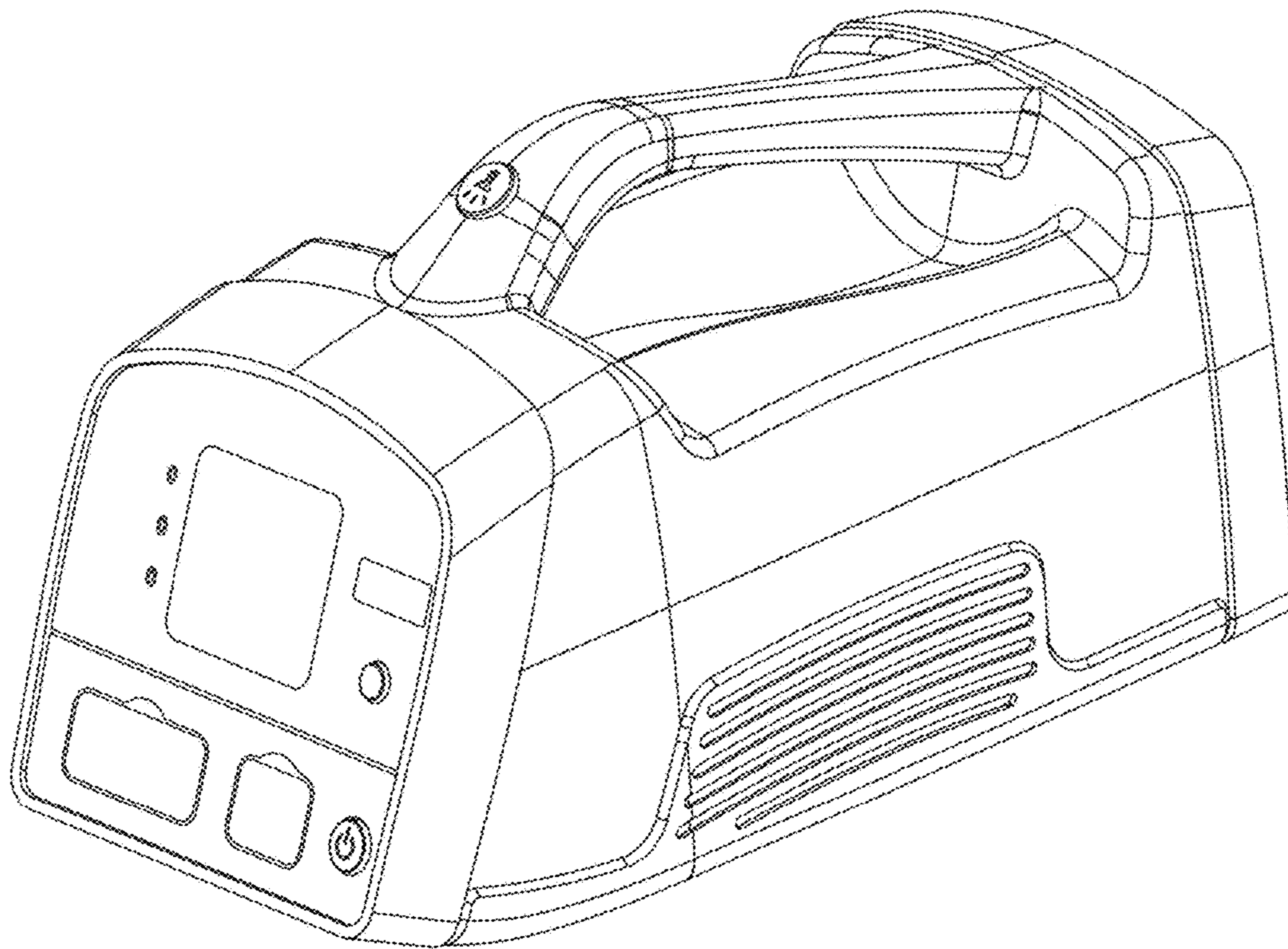


FIG. 7