



US00D805028S

(12) **United States Design Patent** (10) **Patent No.:** **US D805,028 S**
Liu et al. (45) **Date of Patent:** **** Dec. 12, 2017**

(54) **BATTERY**

(56) **References Cited**

(71) Applicant: **Huizhou Kimree Technology Co., Ltd.**
Shenzhen Branch, Shenzhen,
Guangdong (CN)

U.S. PATENT DOCUMENTS

(72) Inventors: **Qiuming Liu**, Guangdong (CN);
Zhiyong Xiang, Guangdong (CN);
Jianhua Niu, Guangdong (CN); **Zhilin**
Wei, Guangdong (CN)

D422,113	S	*	3/2000	Higgins	D27/186
D424,236	S	*	5/2000	Reed	D27/163
D730,572	S	*	5/2015	Leidel	D27/163
D748,325	S	*	1/2016	Leidel	D27/163
D761,999	S	*	7/2016	Liu	D27/101
D766,894	S	*	9/2016	Jeong	D14/358
D769,520	S	*	10/2016	Hua	D27/167
D770,678	S	*	11/2016	Shin	D27/163
D772,477	S	*	11/2016	Smith	D27/163
D773,116	S	*	11/2016	Liu	D27/167
D776,051	S	*	1/2017	Wang	D13/103
D792,642	S	*	7/2017	Mendoza	D27/101
2014/0217085	A1	*	8/2014	Alima	F23Q 7/16 219/474

(73) Assignee: **HUIZHOU KIMREE**
TECHNOLOGY CO., LTD.
SHENZHEN BRANCH, Shenzhen
(CN)

(**) Term: **15 Years**

* cited by examiner

(21) Appl. No.: **29/584,052**

Primary Examiner — Rosemary K Tarcza

Assistant Examiner — Alison M Ofstun

(22) Filed: **Nov. 10, 2016**

(57) **CLAIM**

The ornamental design for a battery, as shown and described.

(30) **Foreign Application Priority Data**

DESCRIPTION

May 19, 2016 (CN) 2016 3 0189581

(51) **LOC (10) Cl.** **13-02**

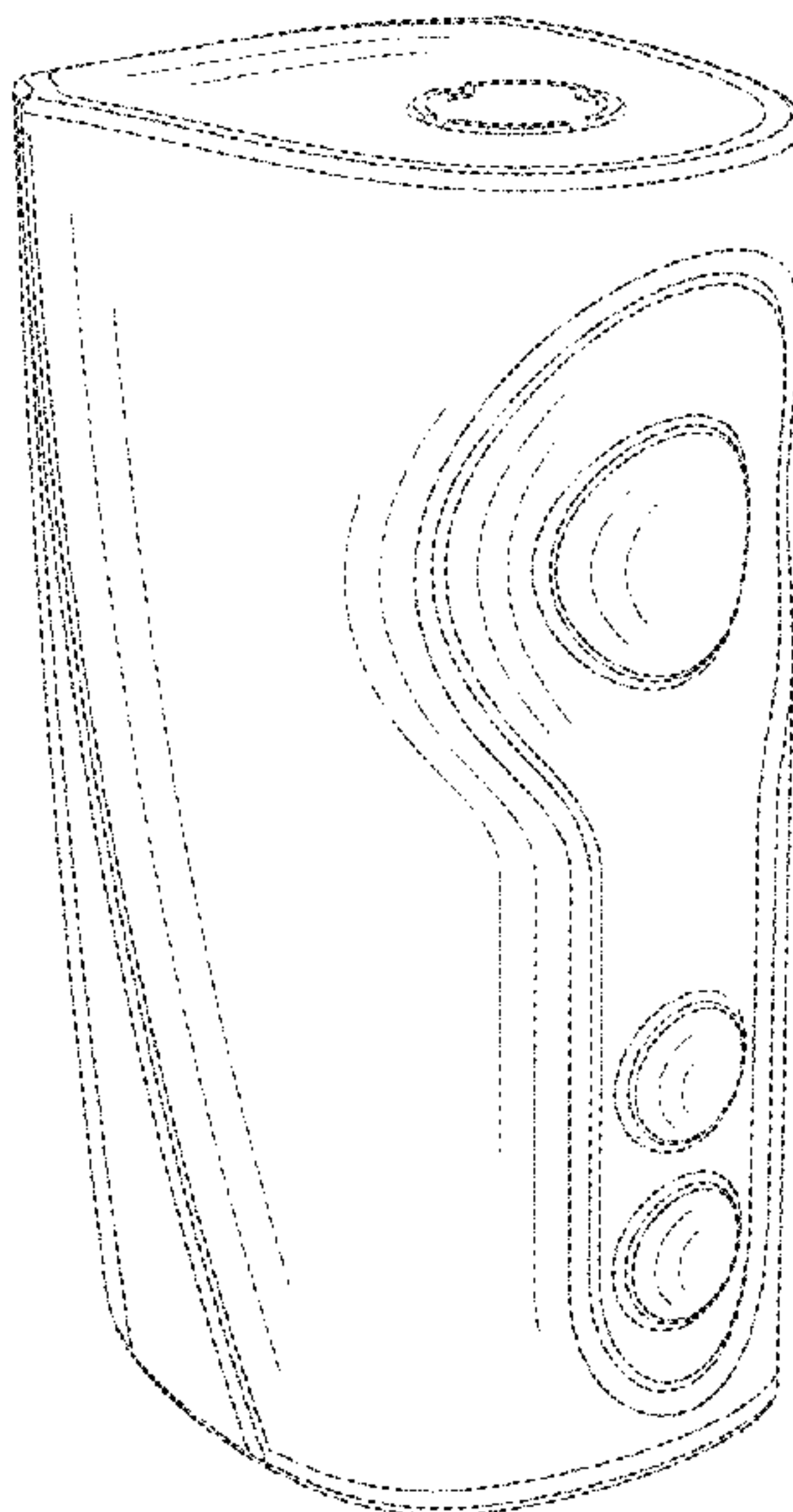
(52) **U.S. Cl.**
USPC **D13/103; D27/101**

(58) **Field of Classification Search**
USPC D13/102–110, 118–119, 184, 199;
D27/101, 163, 167, 170
CPC Y02E 60/12; Y02E 60/122; Y02E 60/124;
Y02E 60/50; H01M 2/02; H01M 2/022;
H01M 2/0202; H01M 2/0207; H01M
2/0212; H01M 2/1061; H01M 2/1022;
H01M 2/1055; H01M 2/1066; H01M
2/105; H01M 2/204; H01M 10/4257;
H01M 10/0436; H01M 10/48

See application file for complete search history.

FIG. 1 is a front elevational view of a battery showing our new design;
FIG. 2 is a rear elevational view thereof;
FIG. 3 is a left side view thereof;
FIG. 4 is a right side view thereof;
FIG. 5 is a top plan view thereof;
FIG. 6 is a bottom plan view thereof;
FIG. 7 is a first perspective view thereof;
FIG. 8 is a second perspective view thereof;
FIG. 9 is a third perspective view thereof; and,
FIG. 10 is a fourth perspective view thereof.
The broken lines in the drawings illustrate portions of the battery which form no part of the claimed design.

1 Claim, 8 Drawing Sheets



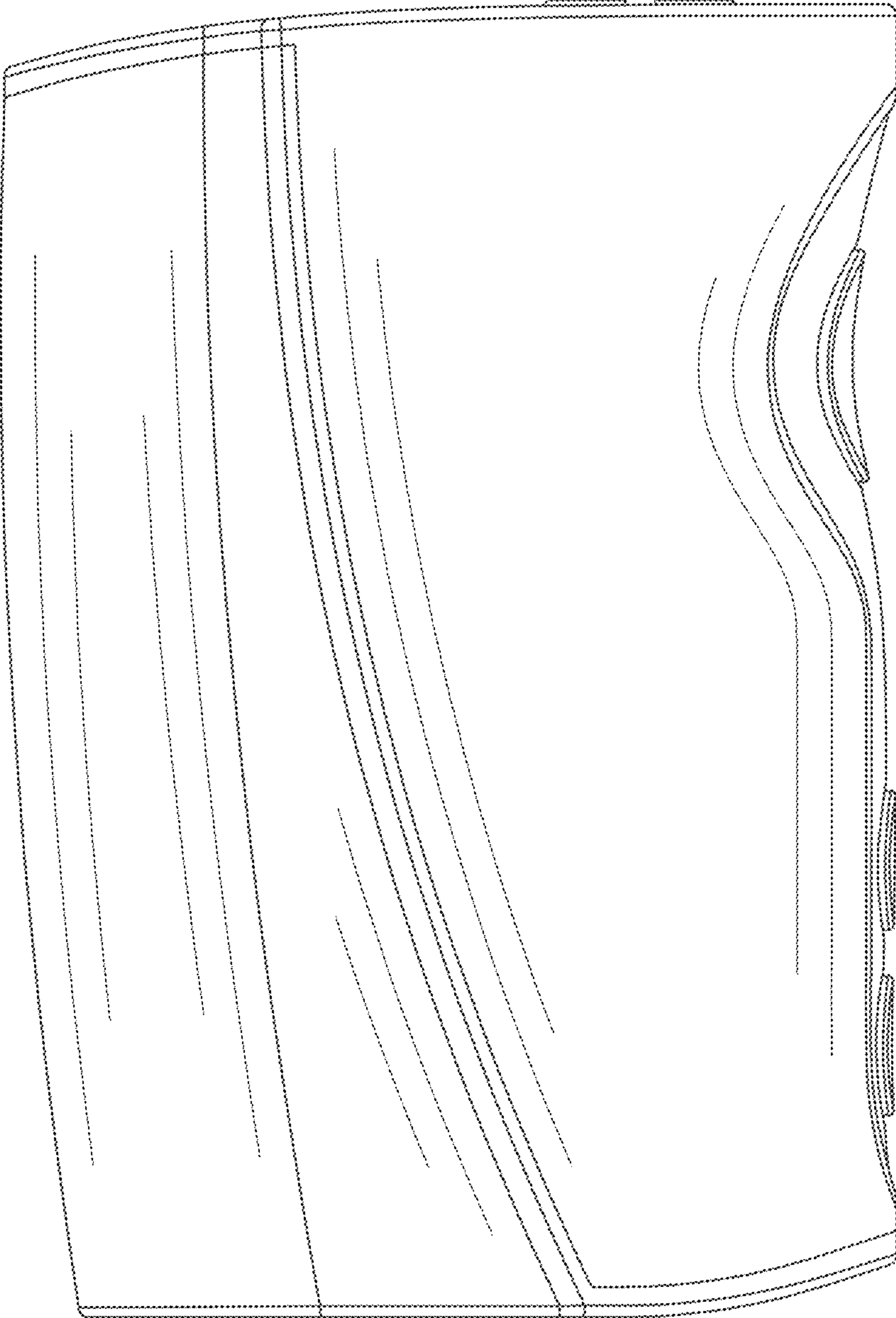


Fig. 1

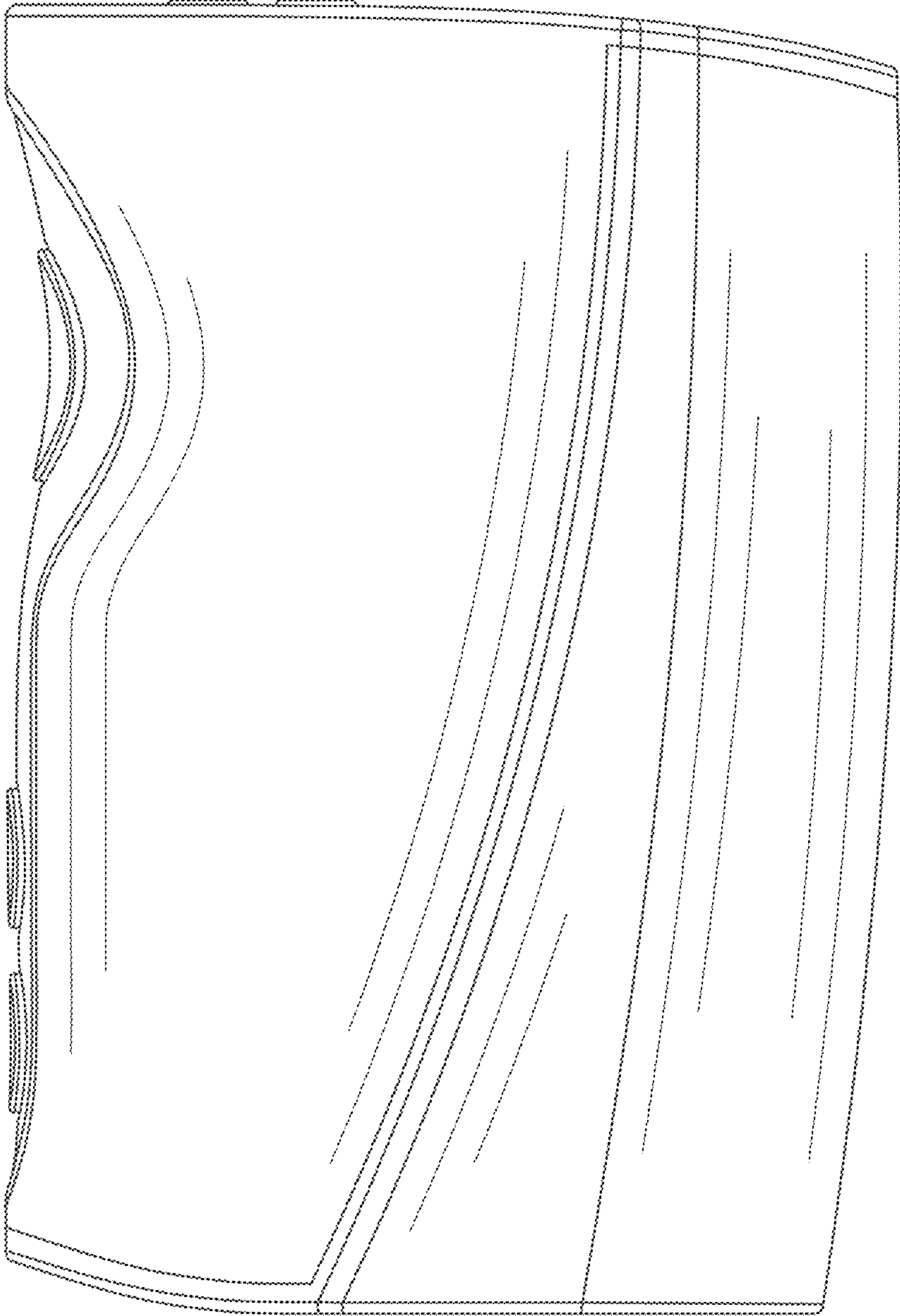


Fig. 2

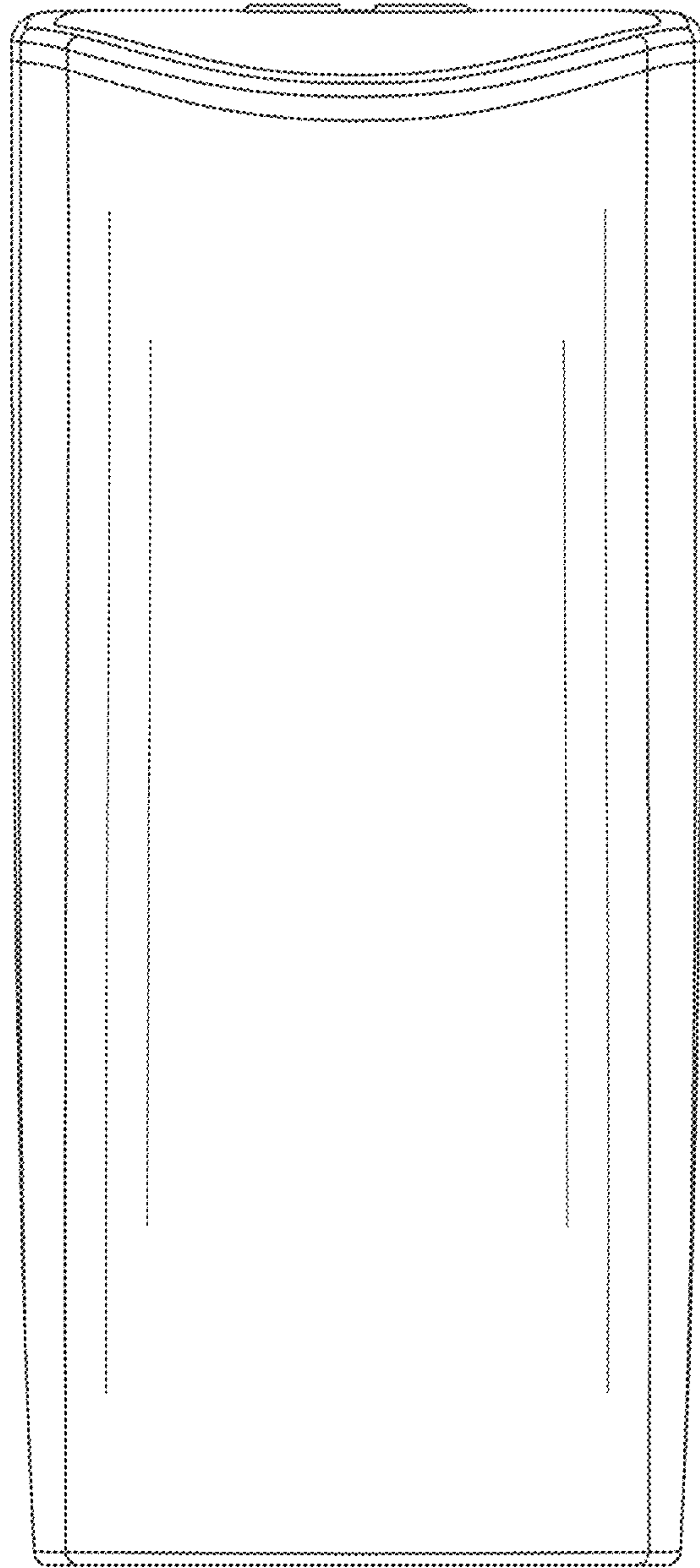


Fig. 3

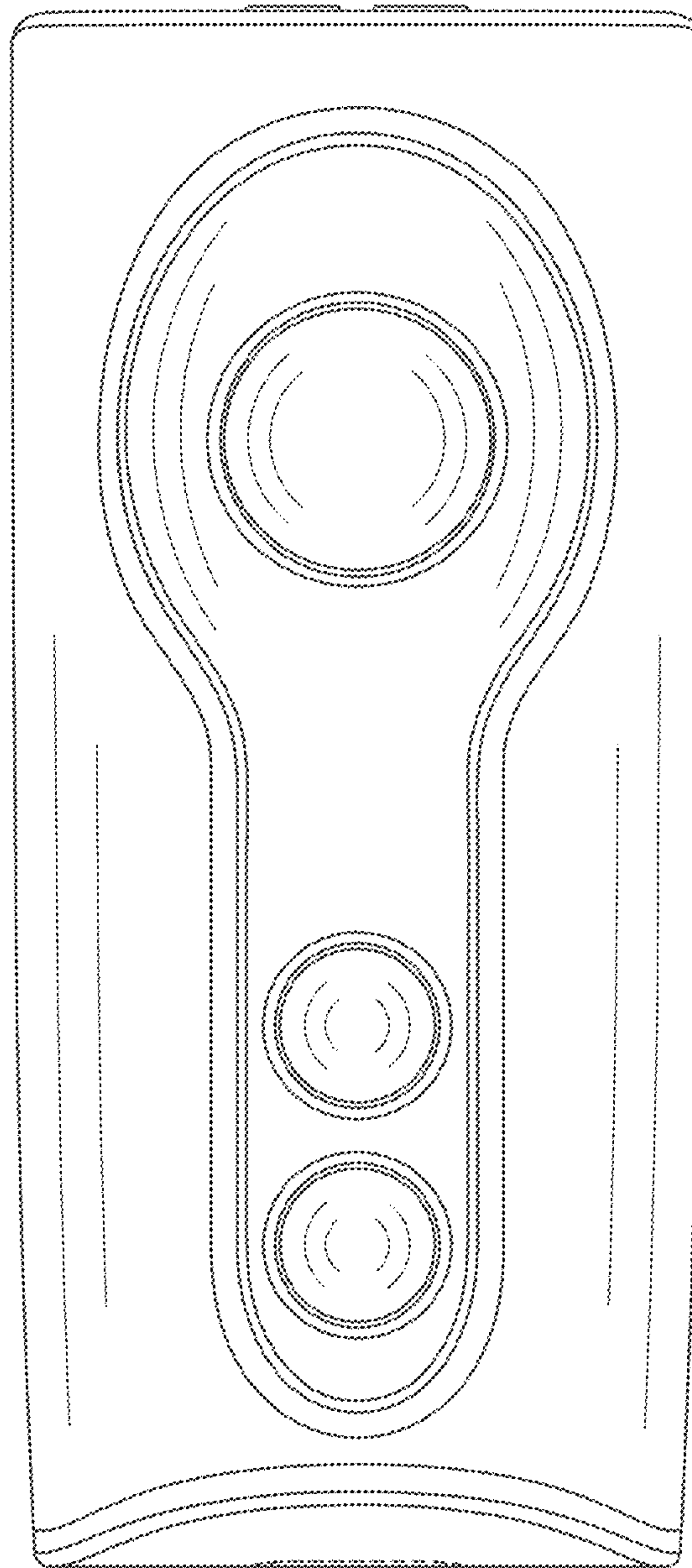


Fig. 4

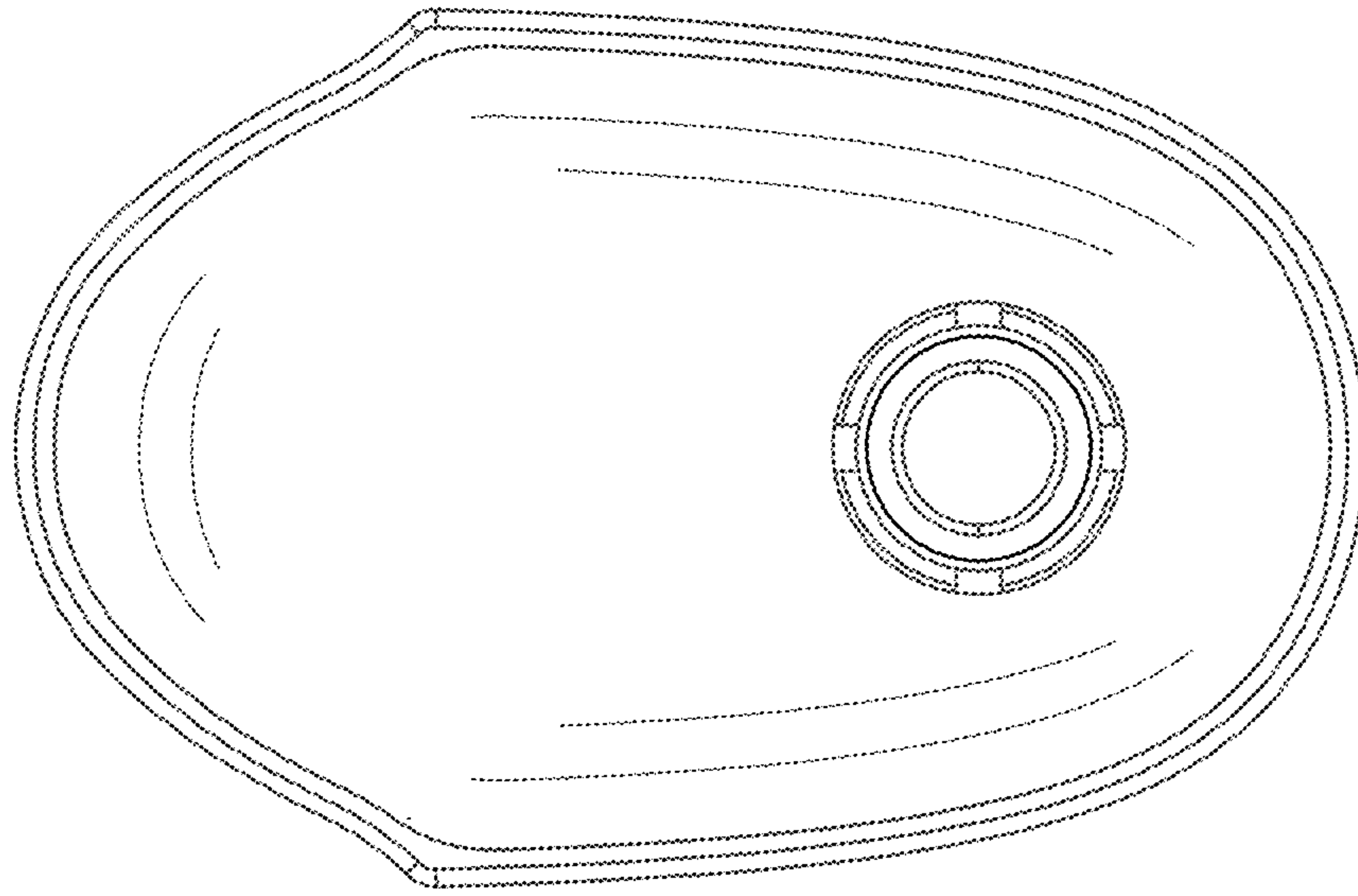


Fig. 5

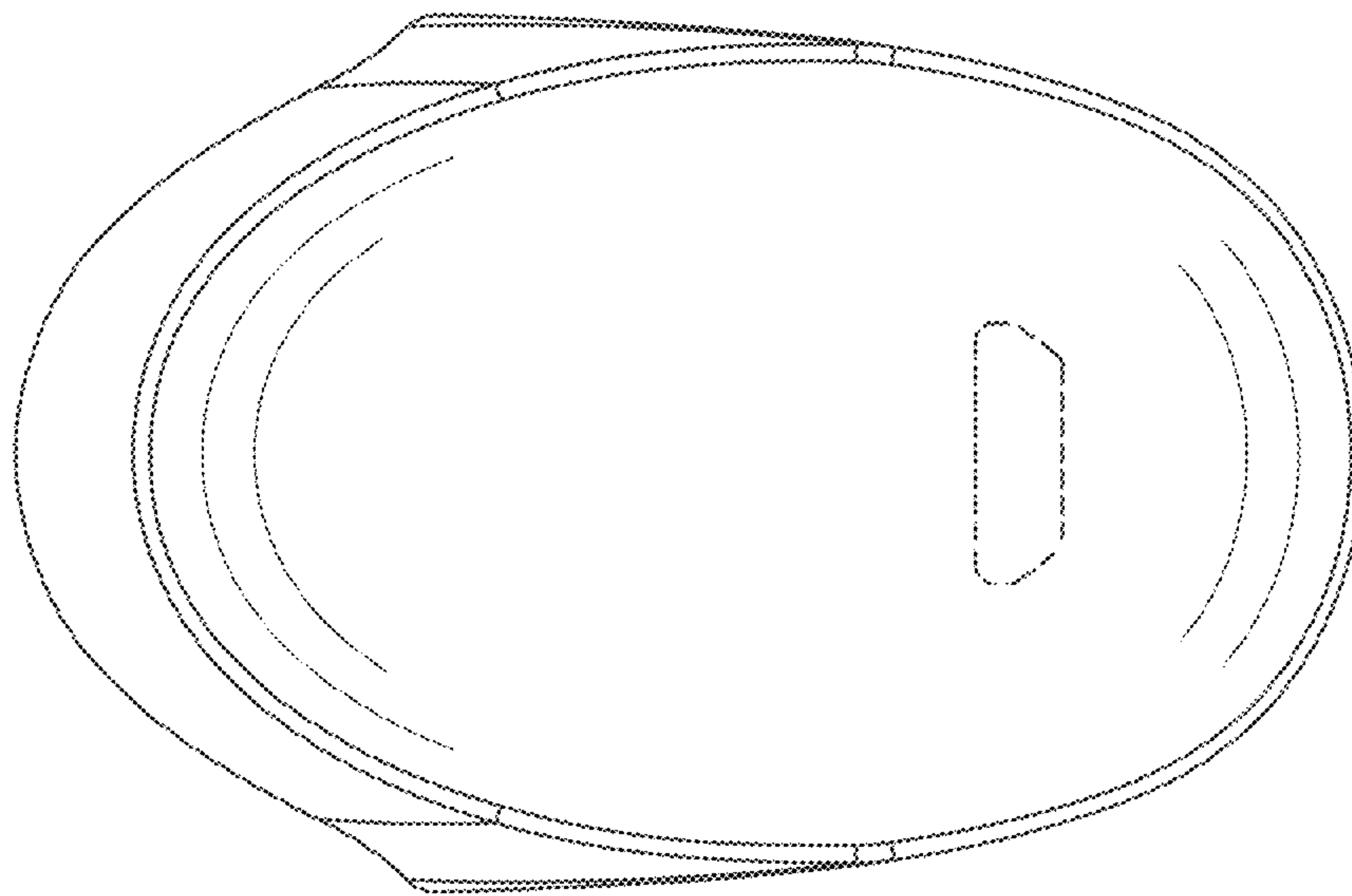


Fig. 6

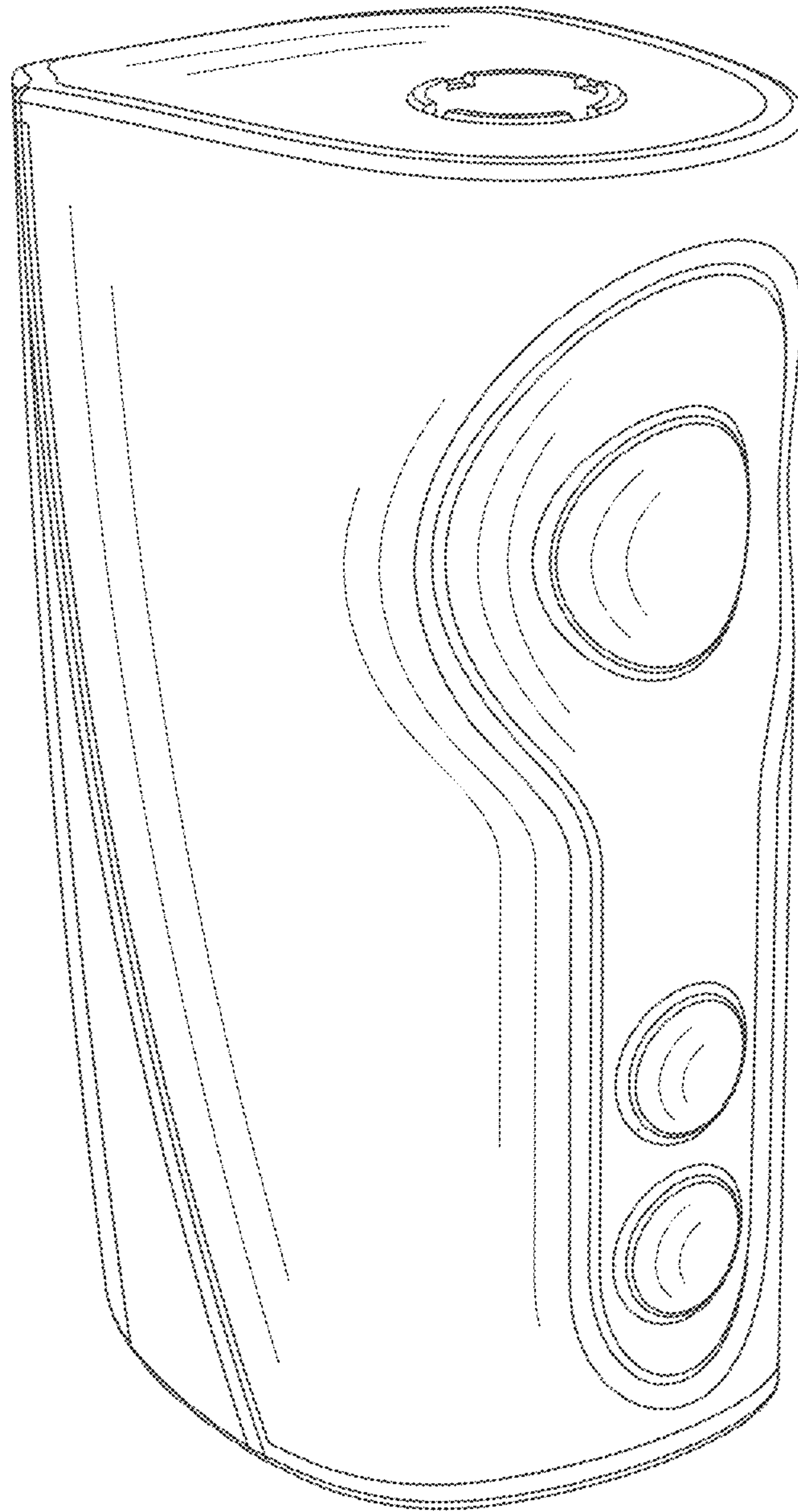


Fig. 7

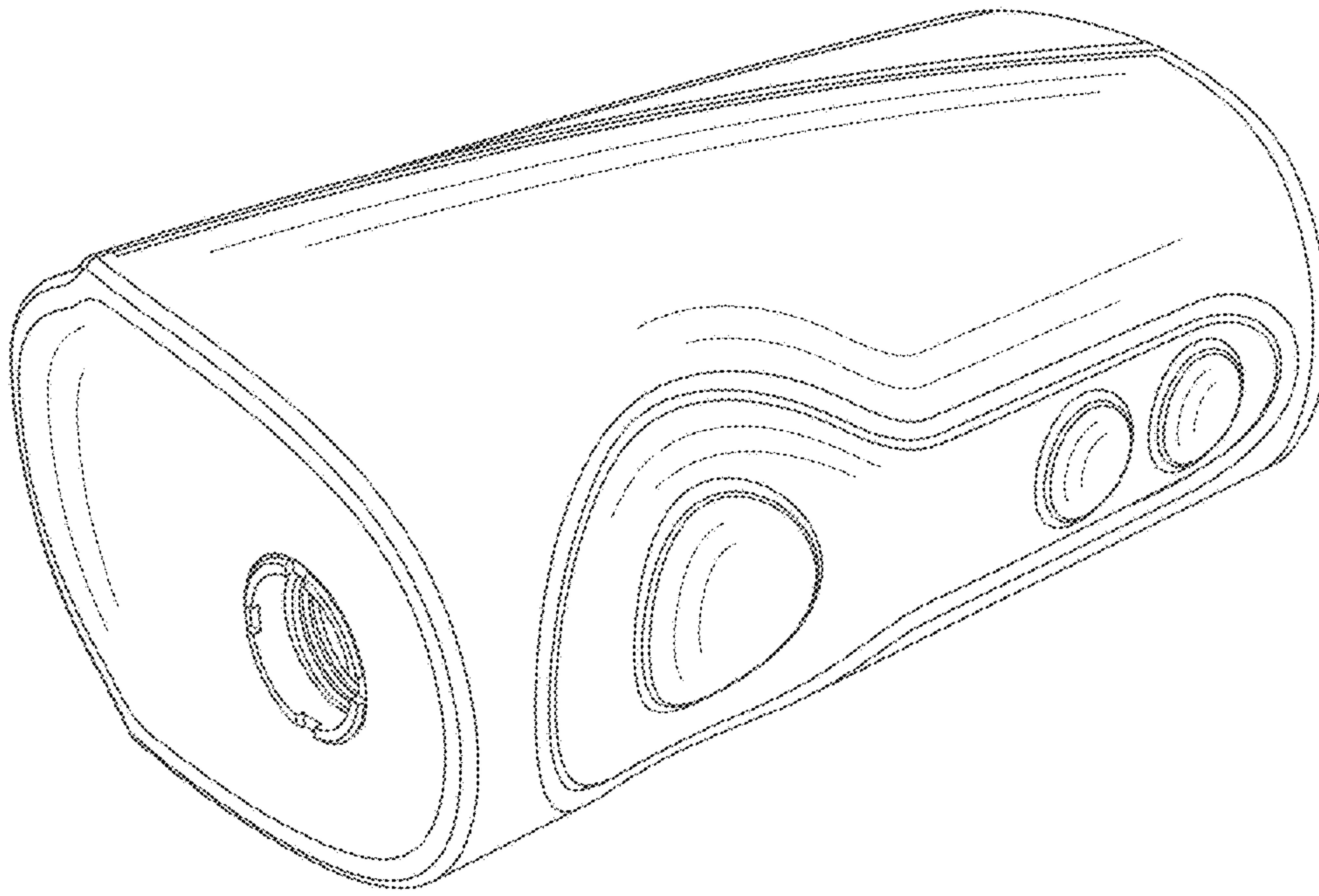


Fig. 8

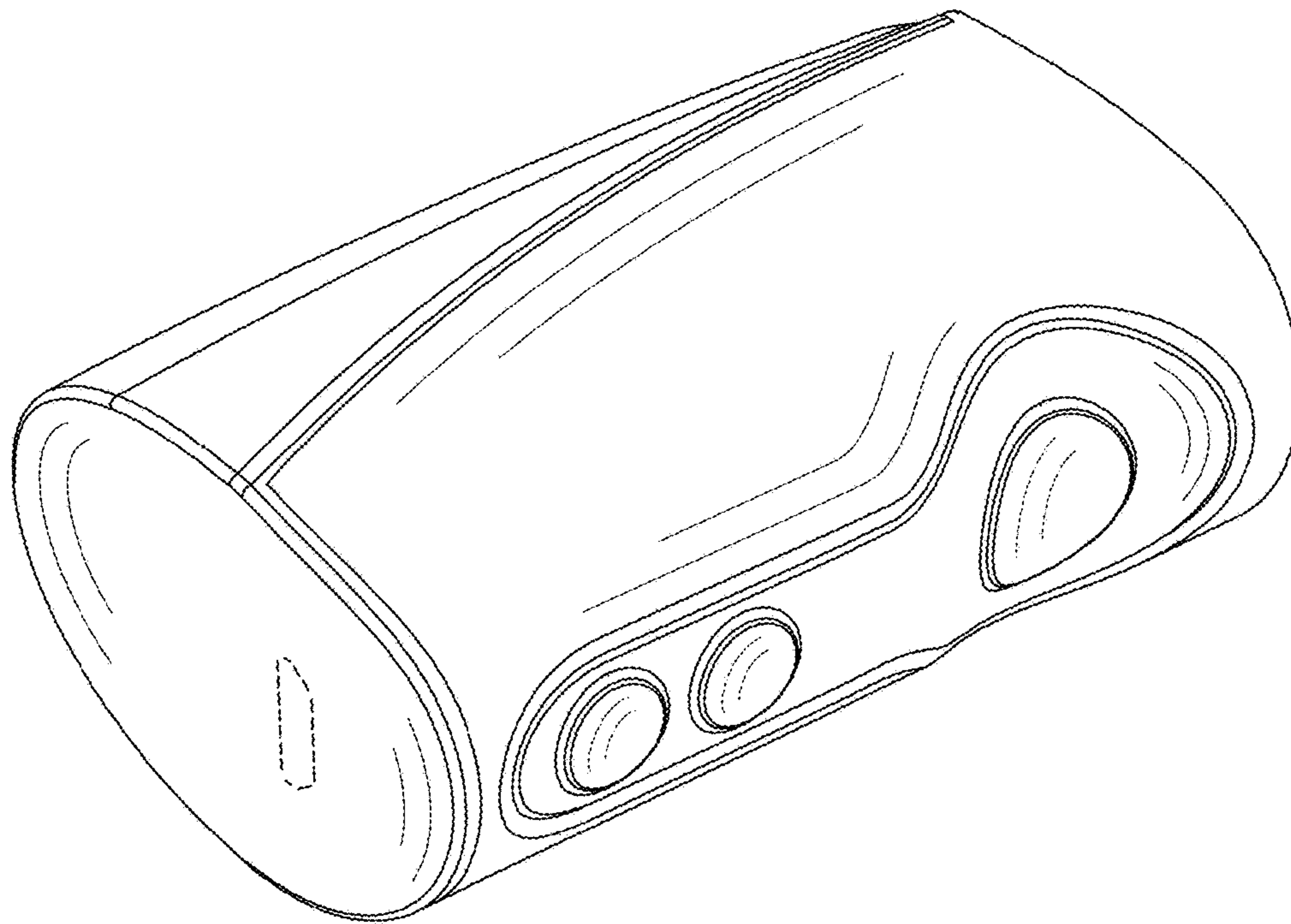


Fig. 9

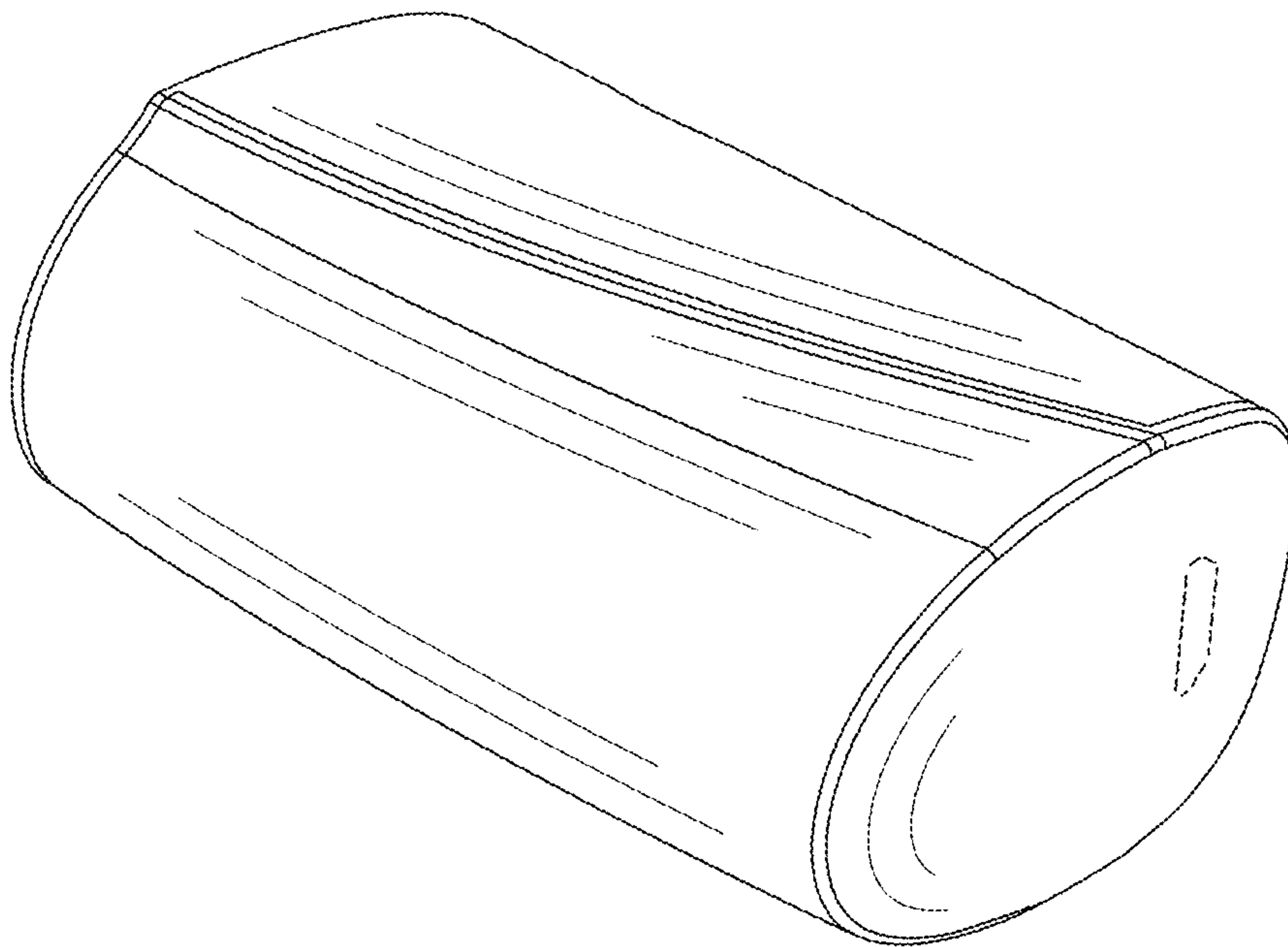


Fig. 10