

US00D805026S

(12) **United States Design Patent** (10) **Patent No.:** **US D805,026 S**
Anderson (45) **Date of Patent:** **** Dec. 12, 2017**

(54) **PORTABLE LIGHT CASE**

(71) Applicant: **World Panel, Inc.**, Westminster, CO (US)

(72) Inventor: **John Augustus Anderson**, Superior, CO (US)

(73) Assignee: **World Panel, Inc.**, Westminster, CO (US)

(**) Term: **15 Years**

(21) Appl. No.: **29/571,176**

(22) Filed: **Jul. 15, 2016**

(51) **LOC (10) Cl.** **13-02**

(52) **U.S. Cl.**
USPC **D13/102**

(58) **Field of Classification Search**
USPC D3/201, 218, 219, 269, 272, 273, 274,
D3/276, 279, 281, 287, 289, 292, 318,
(Continued)

(56) **References Cited**

U.S. PATENT DOCUMENTS

D278,189 S * 4/1985 Frydenberg D3/262
4,842,134 A * 6/1989 Chang A63B 59/60
206/315.1

(Continued)

OTHER PUBLICATIONS

Plano Pillared Take Down Gun Case, posted at Amazon.com, posted on Oct. 29, 2013, [online], [site visited Jun. 21, 2017]. Available from Internet, <<https://www.amazon.com/Plano-Pillared-Take-Down-Case/dp/B000P3YSO6>>.*

Primary Examiner — Mary Ann Calabrese
Assistant Examiner — Catherine Ho

(57) **CLAIM**

I claim the ornamental design for a portable light case, as shown and described.

DESCRIPTION

FIG. 1 is a front perspective view of a portable light case showing a first embodiment of a new design with the case in an open position;

FIG. 2 is a front view of the first embodiment of a new design with the case in an open position;

FIG. 3 is a back view of the first embodiment of a new design with the case in an open position;

FIG. 4 is a top view of the first embodiment of a new design with the case in an open position;

FIG. 5 is a bottom view of the first embodiment of a new design with the case in an open position;

FIG. 6 is a right-side view of the first embodiment of a new design with the case in an open position;

FIG. 7 is a left-side view of the first embodiment of a new design with the case in an open position;

FIG. 8 is a front perspective view of a second embodiment of a new design with the case in a closed position;

FIG. 9 is a front view of the second embodiment of a new design with the case in a closed position;

FIG. 10 is a back view of the second embodiment of a new design with the case in a closed position;

FIG. 11 is a top view of the second embodiment of a new design with the case in a closed position;

FIG. 12 is a bottom view of the second embodiment of a new design with the case in a closed position;

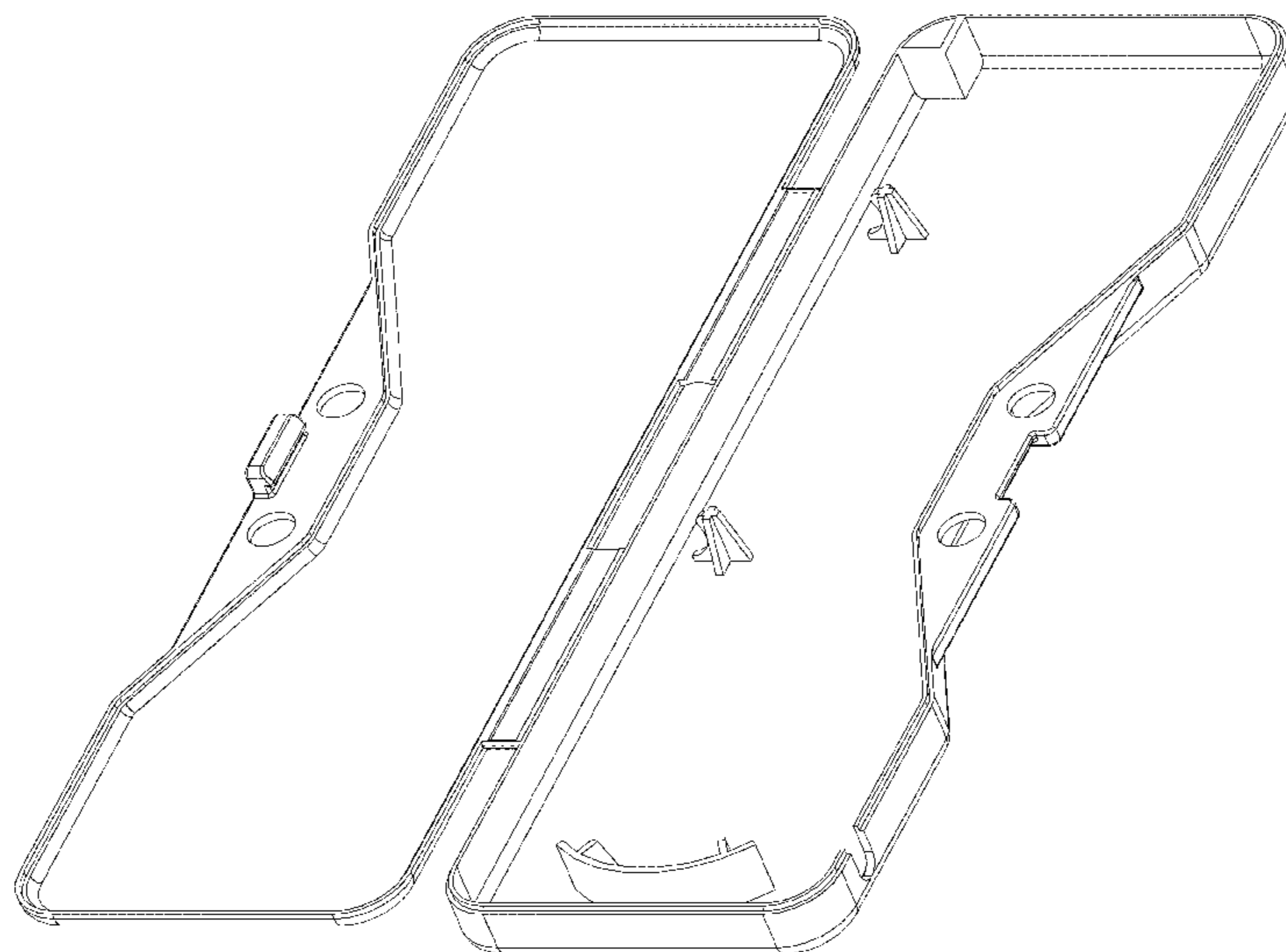
FIG. 13 is a right-side view of the second embodiment of a new design with the case in a closed position;

FIG. 14 is a left-side view of the second embodiment of a new design with the case in a closed position; and,

FIG. 15 is another front view of the second embodiment of a new design with the case in a closed position and in an environment of use.

The broken lines shown represent unclaimed subject matter and form no part of the claimed design.

1 Claim, 11 Drawing Sheets



(58) **Field of Classification Search**

USPC D3/321; D8/375; D9/418; D26/37, 41,
D26/76, 89, 104, 105; D13/101, 102,
D13/103, 106, 107, 108, 110, 116, 118,
D13/123, 133, 134, 135, 146, 147, 148,
D13/149, 150, 151, 153, 154, 155, 156,
D13/159, 161, 173, 184, 199

CPC B64G 1/443; B64G 1/222; Y02E 10/52;
H02J 7/355; H02J 17/00; H01M 10/465;
H01M 16/006; H04M 19/08; H04M 1/04

See application file for complete search history.

(56) **References Cited**

U.S. PATENT DOCUMENTS

5,669,495 A * 9/1997 West A45C 5/03
190/110
D483,178 S * 12/2003 Fiore, Jr. D3/254
D559,544 S * 1/2008 Allen D3/254
D559,545 S * 1/2008 Allen D3/254
D638,217 S * 5/2011 von Gottberg D3/281
D664,763 S * 8/2012 Negrini D3/262
D744,749 S * 12/2015 Negrini D3/262
D773,817 S * 12/2016 Hower D3/282
2003/0111369 A1 * 6/2003 Markowitz, Jr. A63D 15/10
206/315.1

* cited by examiner

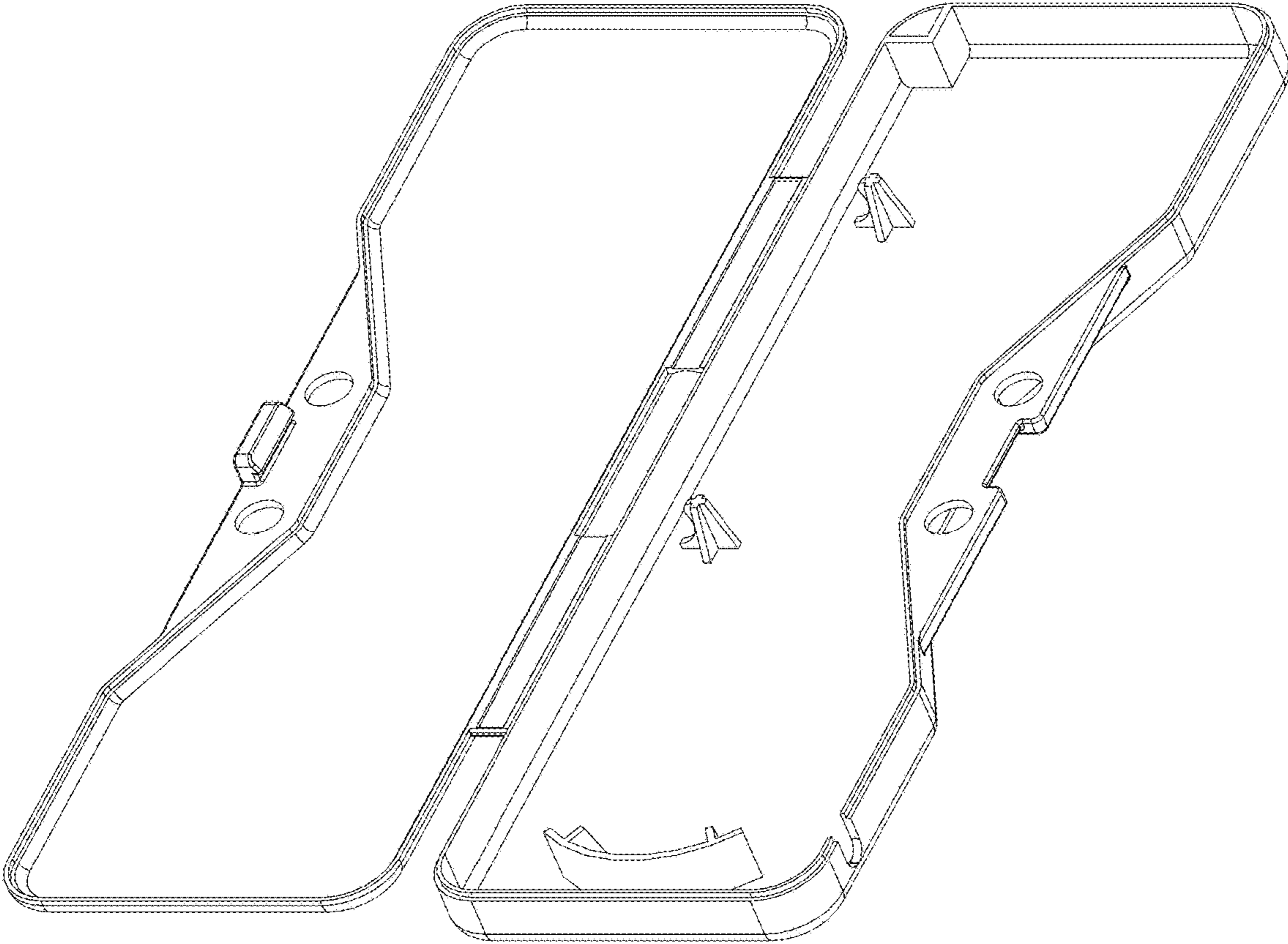


FIG. 1

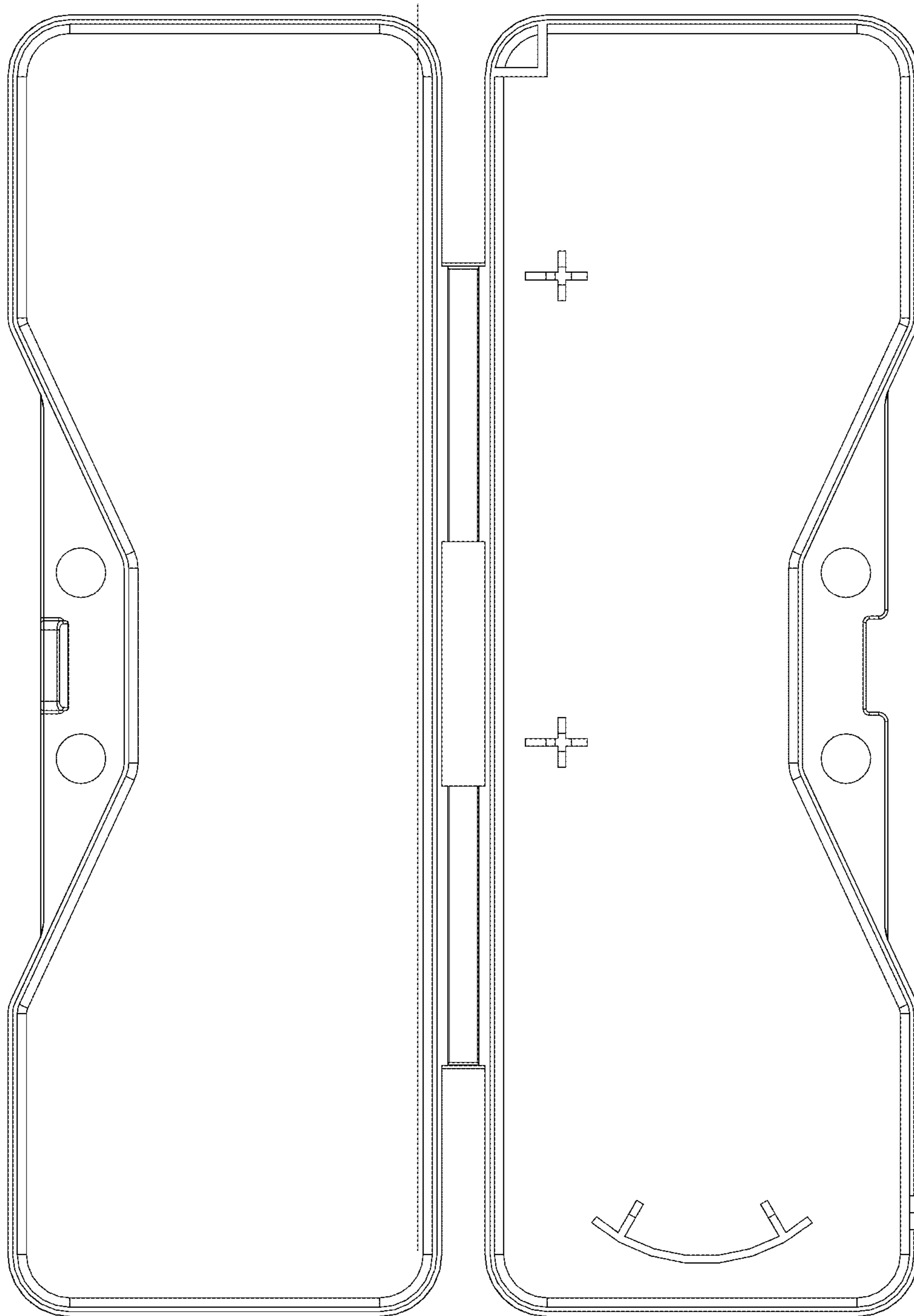


FIG. 2

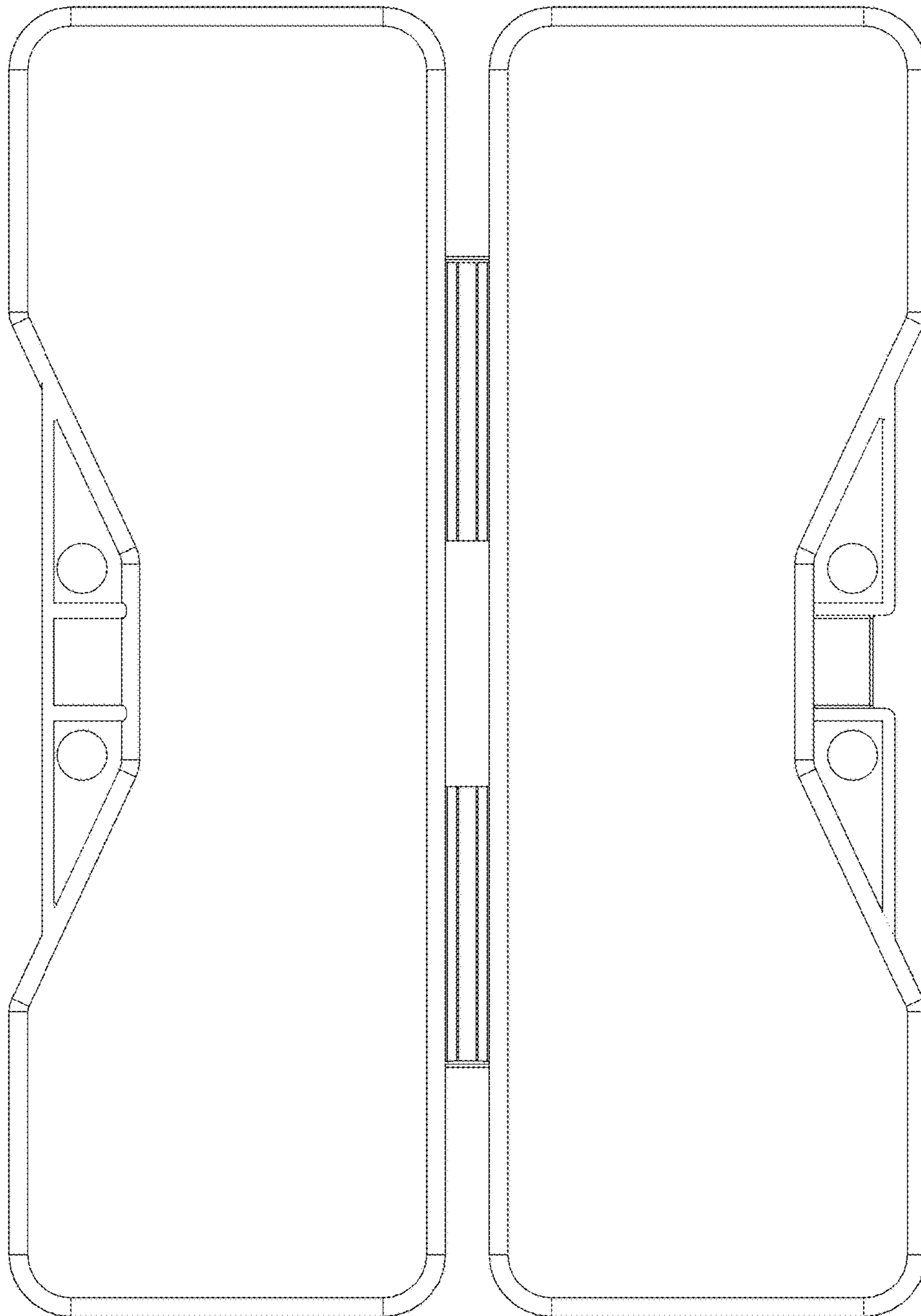


FIG. 3

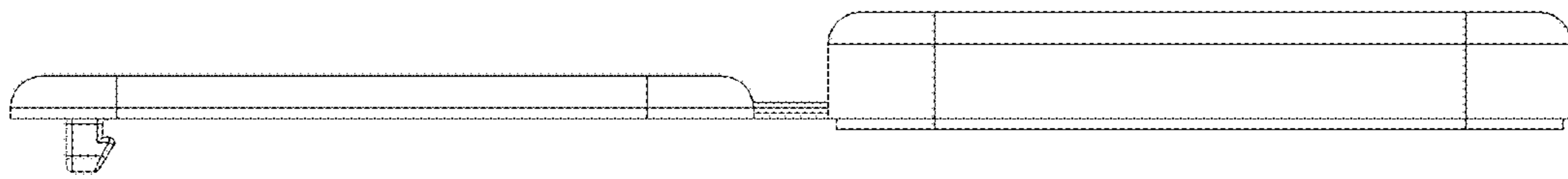


FIG. 4

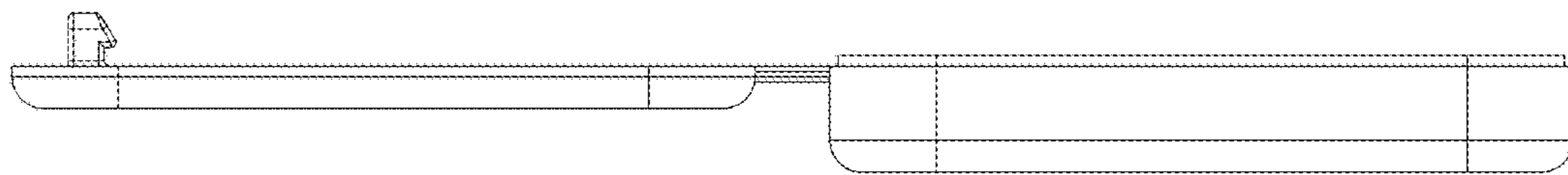


FIG. 5

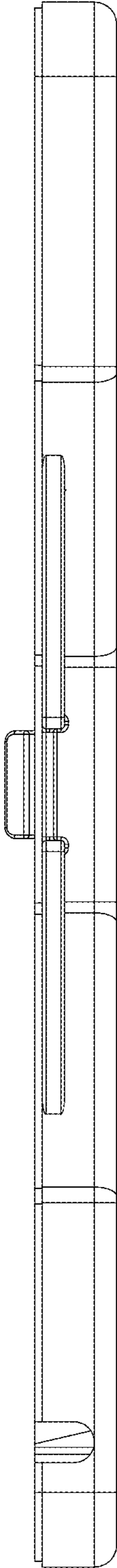


FIG. 6

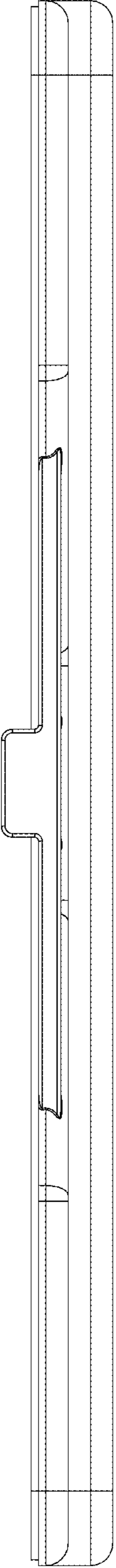
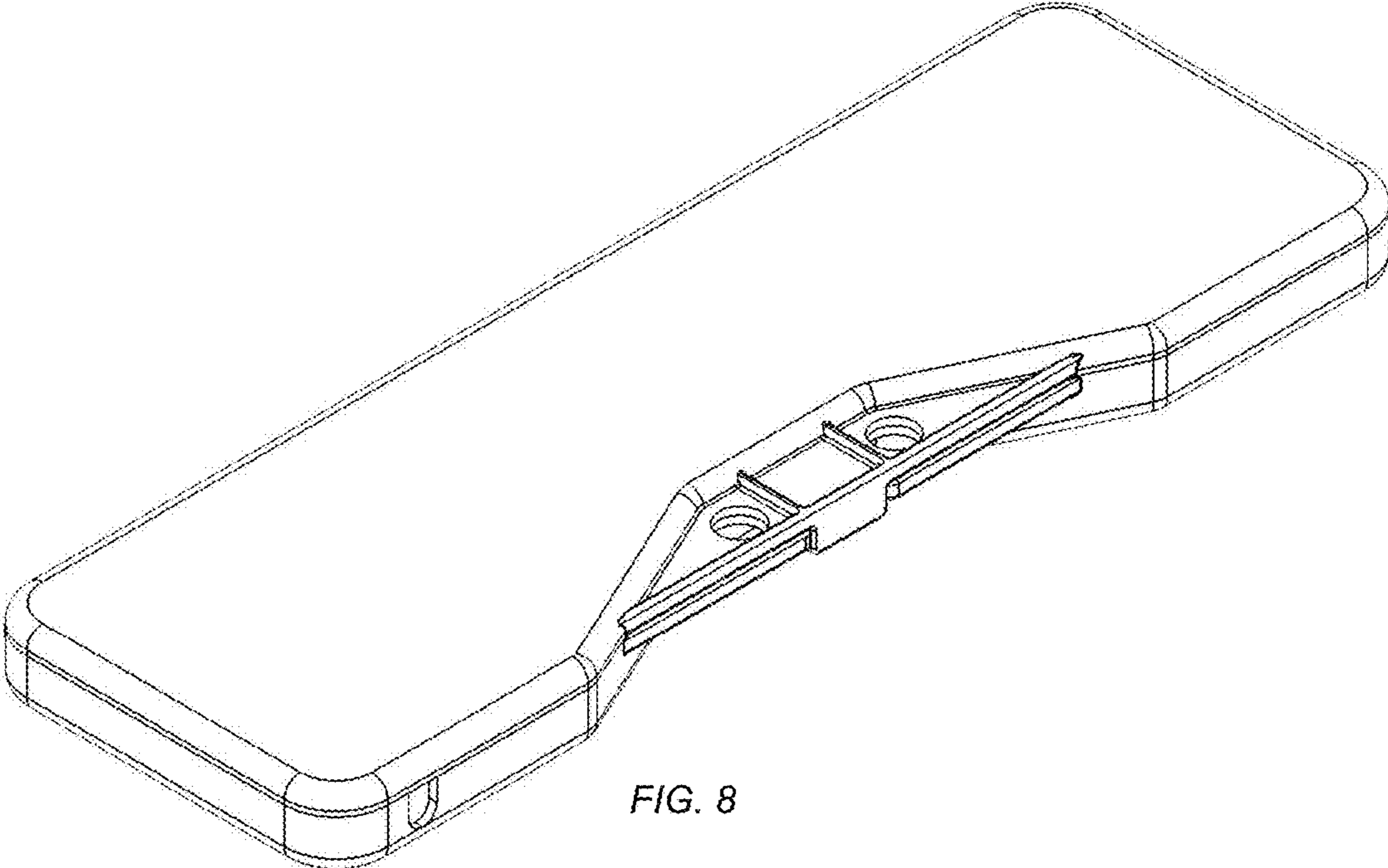


FIG. 7



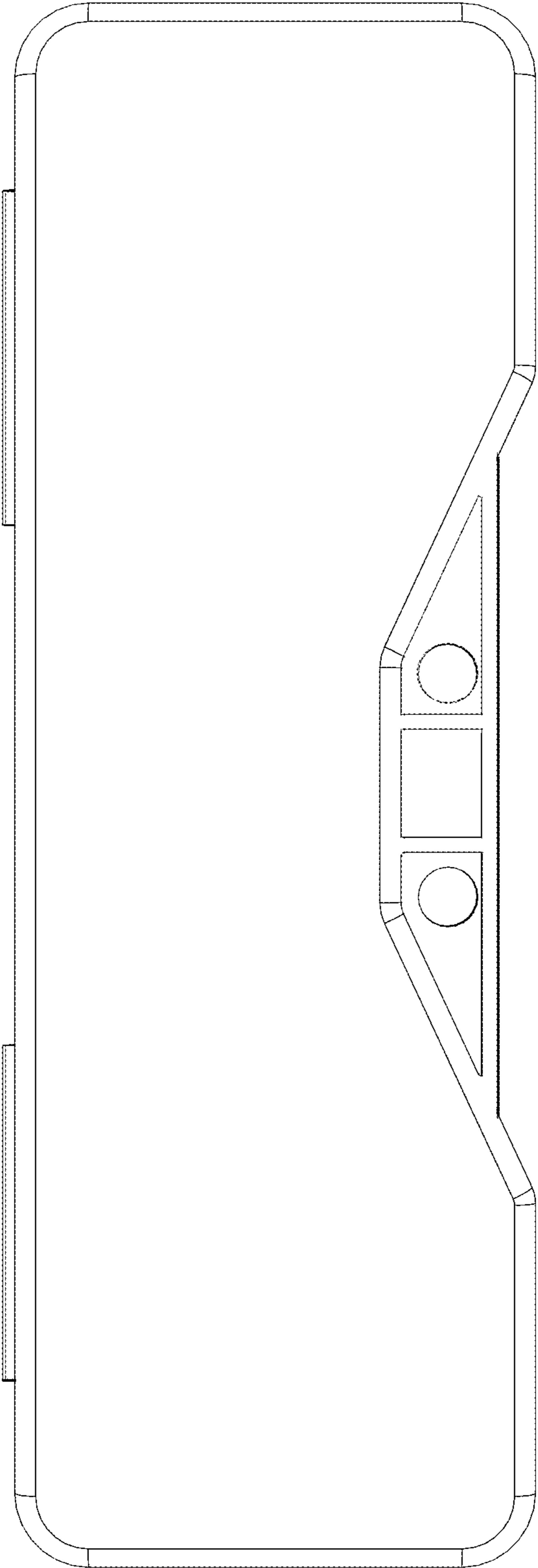


FIG. 9

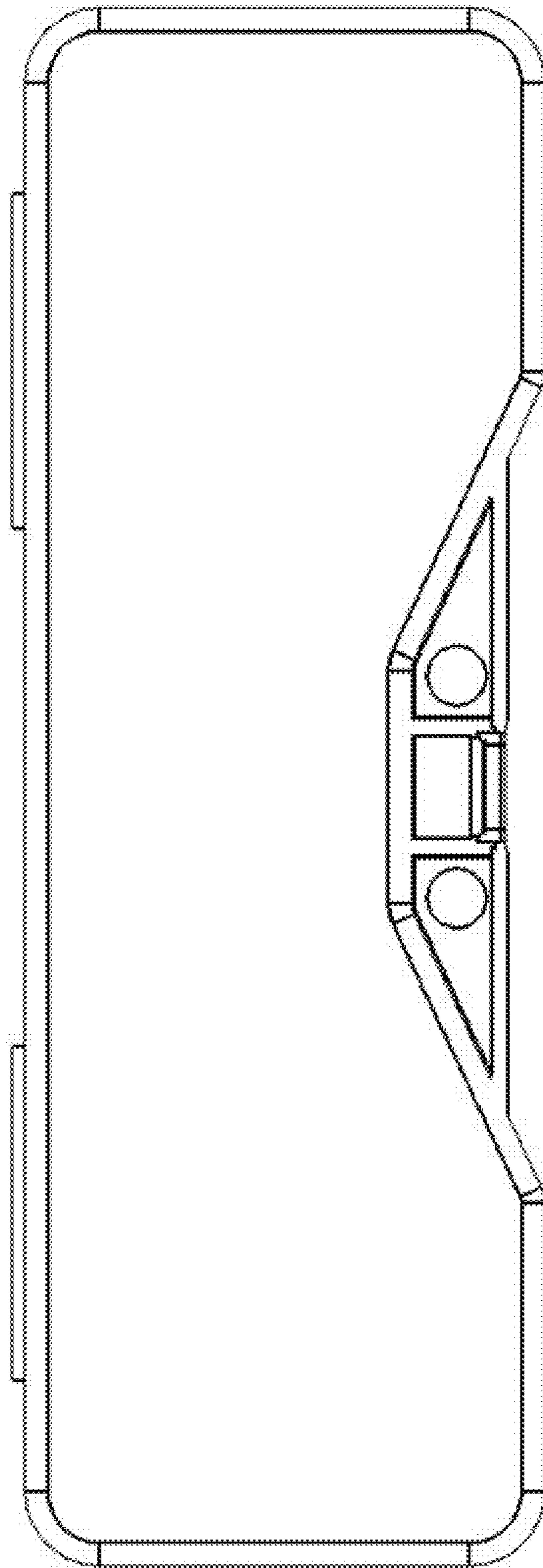


FIG. 10

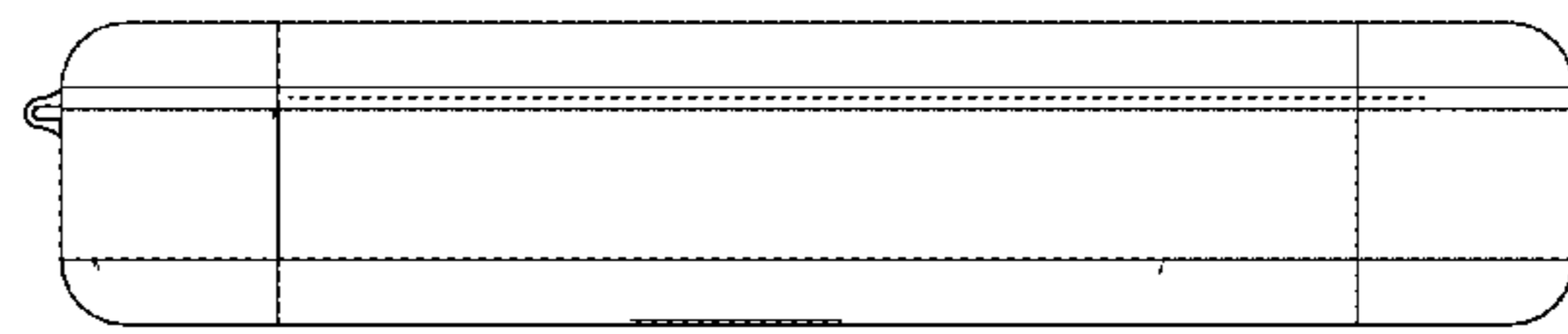


FIG. 11

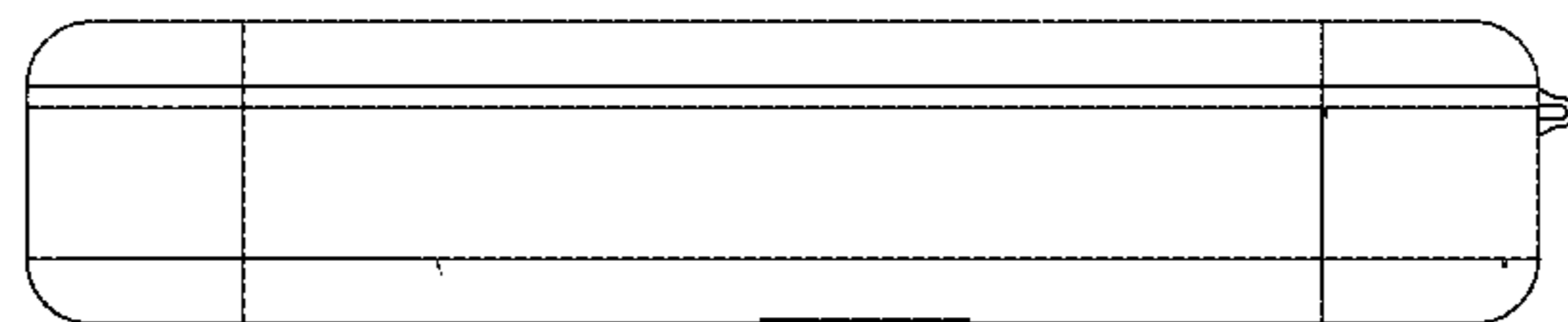


FIG. 12

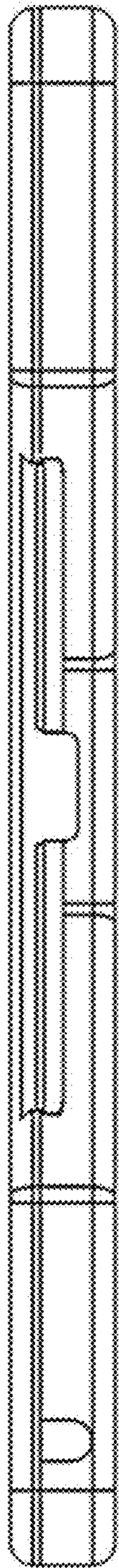


FIG. 13

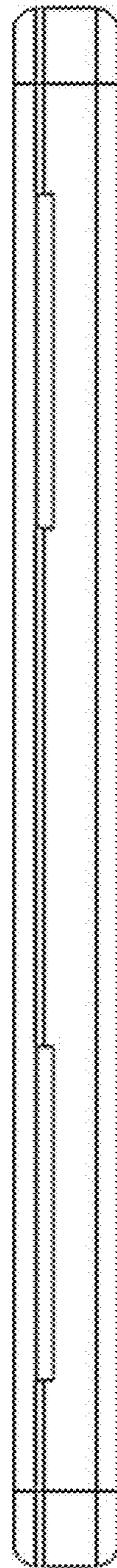


FIG. 14

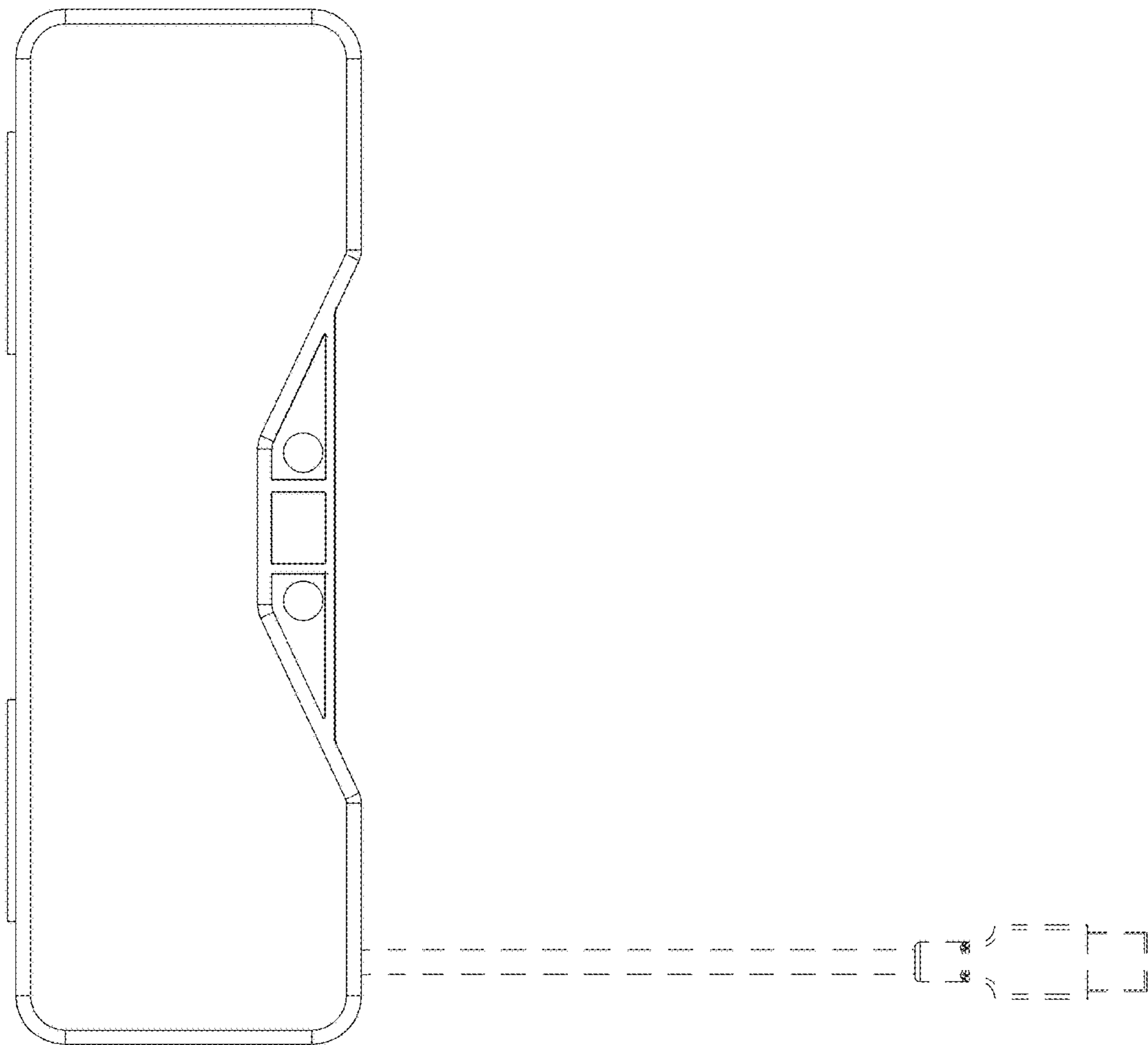


FIG. 15