



US00D805021S

(12) **United States Design Patent** (10) **Patent No.:** **US D805,021 S**
Cunningham (45) **Date of Patent:** **** Dec. 12, 2017**

(54) **PHONE HOLDER**

(71) Applicant: **Kelly W. Cunningham**, Los Angeles, CA (US)

(72) Inventor: **Kelly W. Cunningham**, Los Angeles, CA (US)

(**) Term: **15 Years**

(21) Appl. No.: **29/546,519**

(22) Filed: **Nov. 23, 2015**

Related U.S. Application Data

(62) Division of application No. 29/529,975, filed on Jun. 11, 2015.

(51) **LOC (10) Cl.** **12-16**

(52) **U.S. Cl.**
USPC **D12/415**

(58) **Field of Classification Search**

USPC D12/415, 402, 406-407, 420; D14/253, D14/251, 252, 447, 451, 452, 440, 434, D14/458, 432, 439, 457, 460, 23, 8, 140, D14/142, 149, 217, 148, 140.8, 140.11, D14/209.1, 151, 140.9, 250, 2, 38; D3/218; 455/575.1-575.8; 379/433.07; 224/162, 197, 217-218; 206/45.2, 45.24, 206/320; 24/3.13, 298; 248/206.5, 248/309.4, 683
CPC B60R 2011/008; B60R 11/02; B60R 11/0241; B60R 11/0258; B60R 11/0252; B60R 2011/0294; F16M 11/00; F16M 11/04; F16M 11/041; F16M 11/06; F16M 13/00; H04M 1/11; H04M 1/12; A47F 7/022; B62J 11/00; H05K 7/00; G03B 17/56

See application file for complete search history.

(56) **References Cited**

U.S. PATENT DOCUMENTS

5,357,680 A 10/1994 Monistere
D716,215 S * 10/2014 Dunn D12/415

D726,175 S * 4/2015 Tsai D12/415
D735,112 S * 7/2015 Deng D12/415
D765,646 S * 9/2016 Deng D12/415
D767,556 S * 9/2016 Lee D12/415
2009/0270050 A1 10/2009 Brown
2012/0031937 A1 2/2012 Baker
(Continued)

OTHER PUBLICATIONS

Amazon.com, Kenu Airframe car mount (attached and see below for link): http://www.amazon.com/Kenu-Airframe-Portable-Smartphone-Mount/dp/B00DP01B4W/ref=sr_1_1?ie=UTF8&qid=1435361664&sr=8-1&keywords=kenu+airframe+portable+car+mount&pebp=1435361663.

(Continued)

Primary Examiner — Catherine R Oliver-Garcia
(74) *Attorney, Agent, or Firm* — Cislo & Thomas, LLP

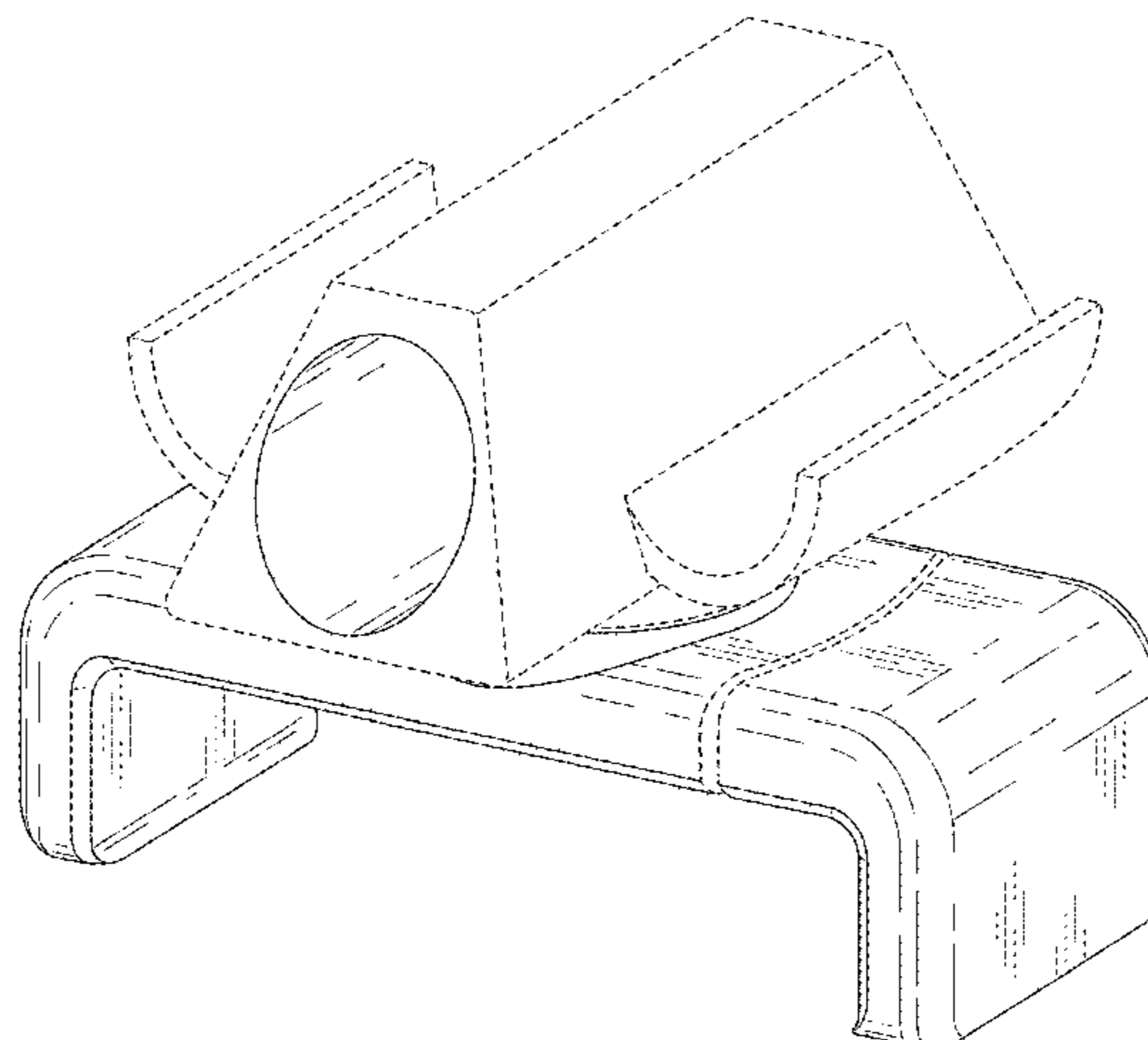
(57) **CLAIM**

The ornamental design for a phone holder, as shown and described.

DESCRIPTION

FIG. 1 is a perspective view of a phone holder showing the new design;
FIG. 2 is a front view thereof, with the rear view being identical;
FIG. 3 is a top plan view thereof;
FIG. 4 is a bottom plan view thereof;
FIG. 5 is a right side view thereof, with the left side view being identical; and,
FIG. 6 is a cross sectional view shown along line VI- VI of FIG. 5.
The broken lines in the drawings show environment that forms no part of the claimed design. Applicant makes no claim as to color with regards to the present invention.

1 Claim, 3 Drawing Sheets



(56)

References Cited

U.S. PATENT DOCUMENTS

2014/0097306 A1 4/2014 Hale
2015/0084356 A1 3/2015 Dinh

OTHER PUBLICATIONS

<https://images-na.ssl-images-amazon.com/images/I/51agreJRm9L.jpg> (1 page).
<https://images-na.ssl-images-amazon.com/images/I/61UX1zNISSL.SL1100.jpg> (1 page).

* cited by examiner

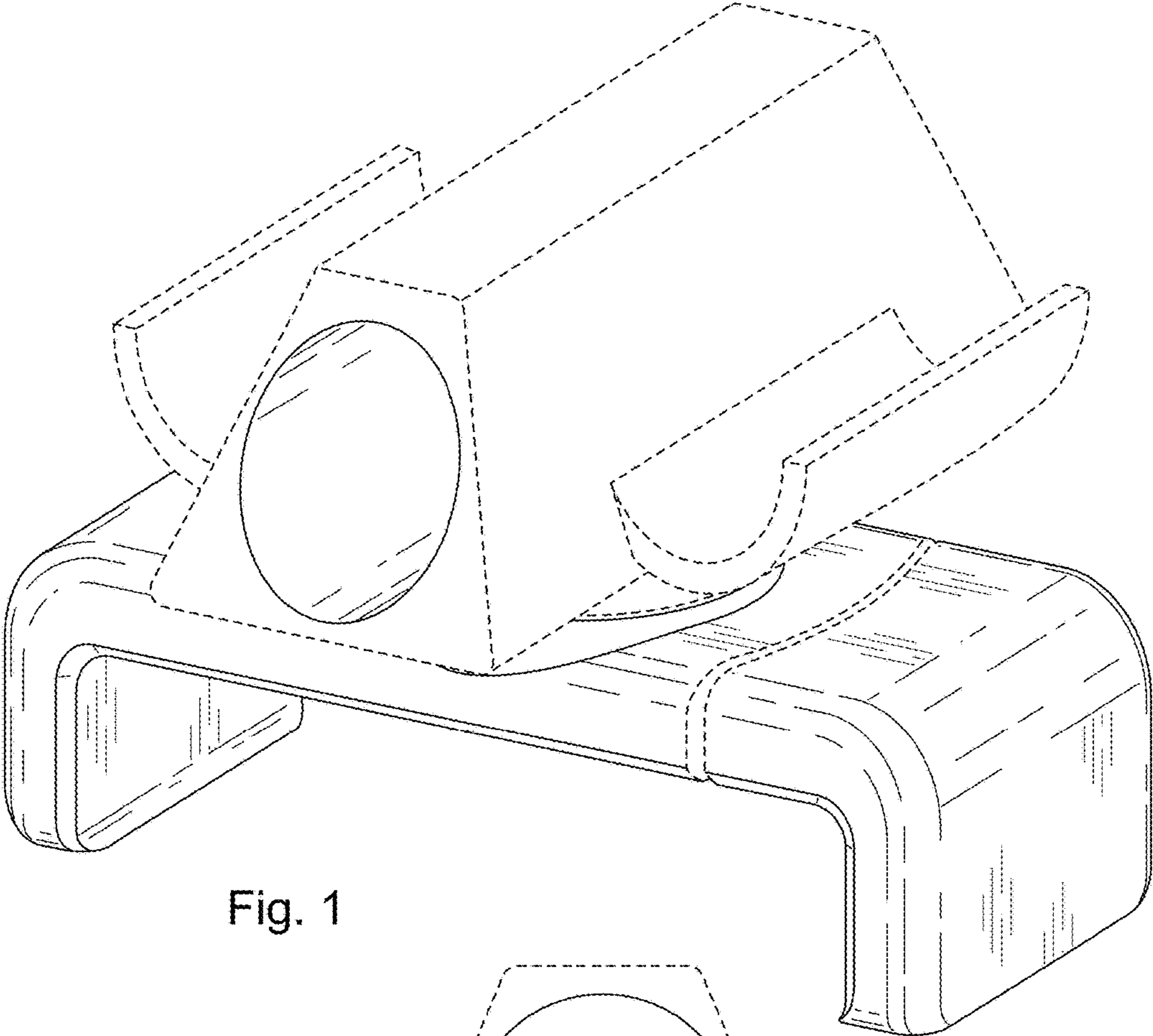


Fig. 1

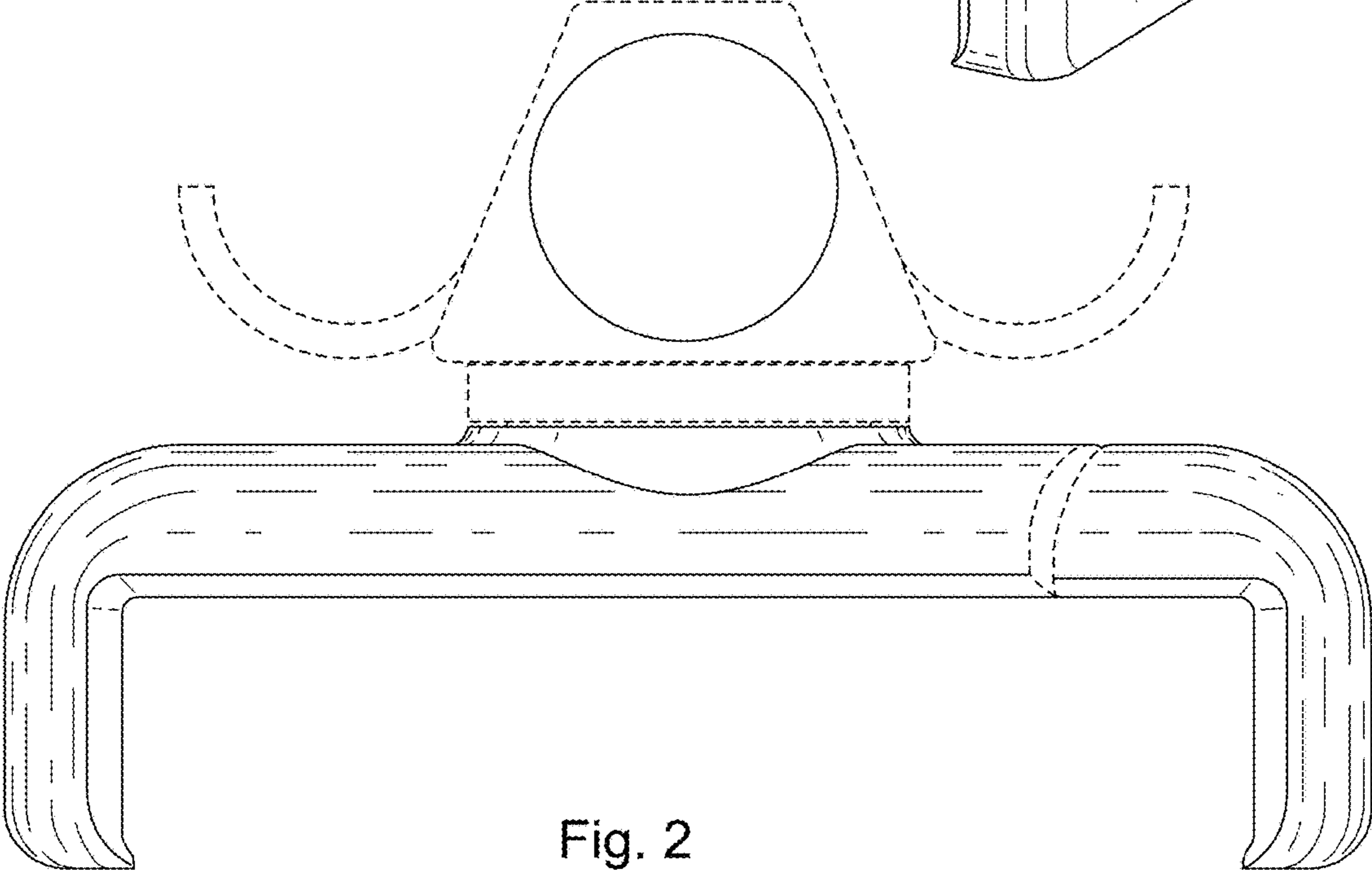


Fig. 2

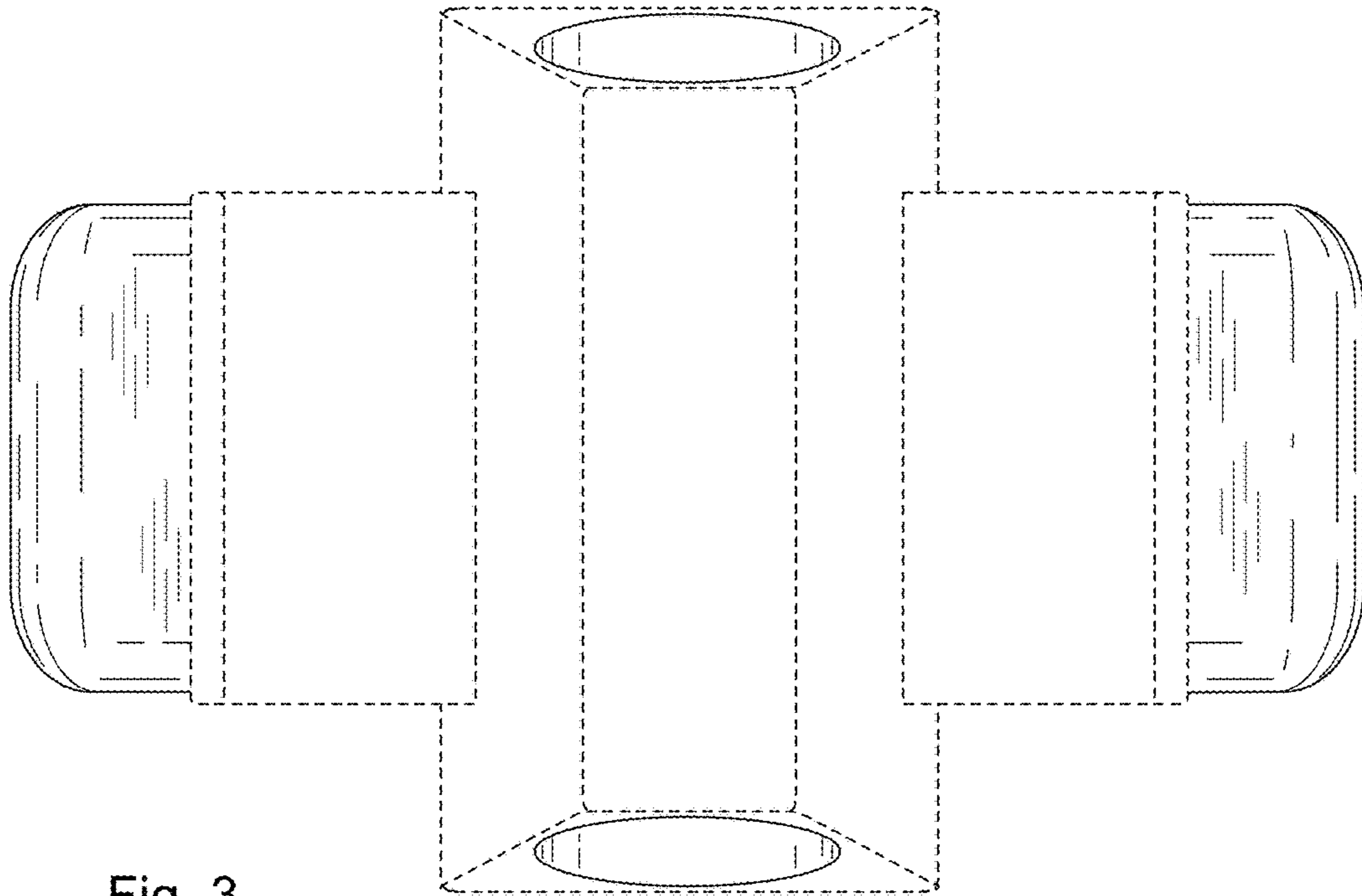


Fig. 3

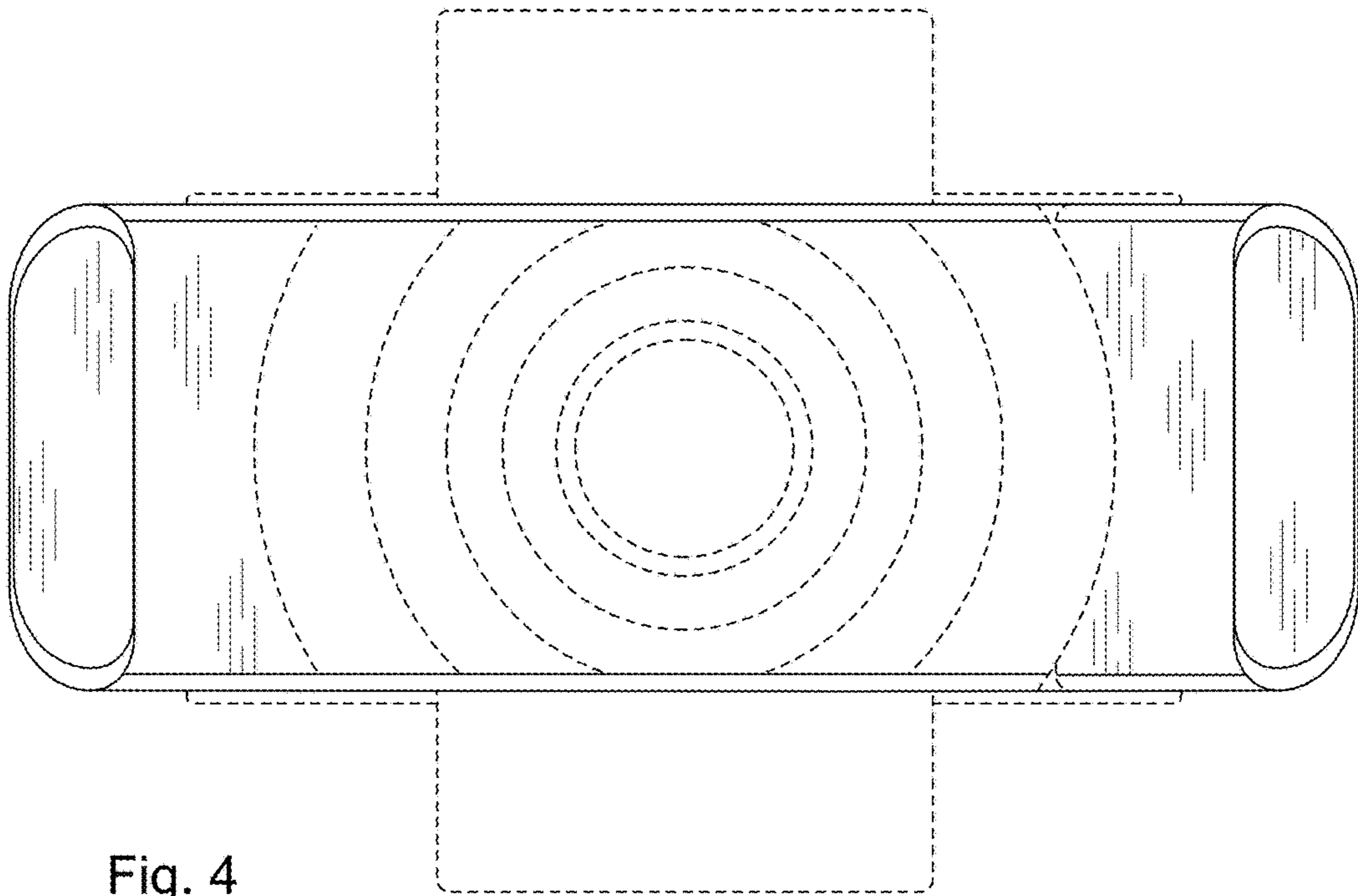


Fig. 4

