



US00D805020S

(12) **United States Design Patent** (10) **Patent No.:** **US D805,020 S**  
**Cunningham** (45) **Date of Patent:** **\*\* Dec. 12, 2017**

(54) **PHONE HOLDER**

(71) Applicant: **Kelly W. Cunningham**, Los Angeles, CA (US)

(72) Inventor: **Kelly W. Cunningham**, Los Angeles, CA (US)

(\*\*) Term: **15 Years**

(21) Appl. No.: **29/529,975**

(22) Filed: **Jun. 11, 2015**

(51) **LOC (10) Cl.** ..... **12-16**

(52) **U.S. Cl.**  
USPC ..... **D12/415**

(58) **Field of Classification Search**  
USPC ..... D12/415, 402, 406-407, 420; D14/253, D14/447, 451, 452, 440, 434, 458, 432, D14/439, 457, 460, 238, 140, 142, 149, D14/217, 148, 140.8, 140.11, 209.1, 151, D14/140.9, 250; D3/218; 455/575.1-575.8; 379/433.07; 224/162, 224/197, 217-218; 206/45.2, 45.24, 320; 24/3.13, 298; 248/206.5, 309.4, 683  
CPC ..... B60R 2011/008; B60R 11/02; B60R 11/0241; B60R 11/0258; B60R 11/0252; B60R 2011/0294; F16M 11/00; F16M 11/04; F16M 11/041; F16M 11/06; F16M 13/00; H04M 1/11; H04M 1/12; A47F 7/022; B62J 11/00; H05K 7/00; G03B 17/56

See application file for complete search history.

(56) **References Cited**

**U.S. PATENT DOCUMENTS**

5,357,680 A 10/1994 Monistere  
D716,215 S \* 10/2014 Dunn ..... D12/415  
D726,175 S \* 4/2015 Tsai ..... D12/415  
D735,112 S \* 7/2015 Deng ..... D12/415

D765,646 S \* 9/2016 Deng ..... D12/415  
D767,556 S \* 9/2016 Lee ..... D12/415  
2009/0270050 A1 10/2009 Brown  
2012/0031937 A1 2/2012 Baker  
2015/0084356 A1 3/2015 Dinh

**OTHER PUBLICATIONS**

Amazon.com, Kenu Airframe car mount (attached and see below for link): [http://www.amazon.com/Kenu-Airframe-Portable-Smartphone-Mount/dp/B00D901B4W/ref=sr\\_1\\_1?&ie=UTF8&qid=143561664&sr=8-1&keywords=kenu+airframe+portable+car+mount&pebp=1435361683](http://www.amazon.com/Kenu-Airframe-Portable-Smartphone-Mount/dp/B00D901B4W/ref=sr_1_1?&ie=UTF8&qid=143561664&sr=8-1&keywords=kenu+airframe+portable+car+mount&pebp=1435361683).  
<https://images-na.ssl-images-amazon.com/images/I/51agreJRm9L.jpg> (1 page).  
[https://images-na.ssl-images-amazon.com/images/I/61UX1zNISSL.\\_SL1100\\_.jpg](https://images-na.ssl-images-amazon.com/images/I/61UX1zNISSL._SL1100_.jpg) (1 page).

\* cited by examiner

*Primary Examiner* — Catherine R Oliver-Garcia  
(74) *Attorney, Agent, or Firm* — Cislo & Thomas, LLP

(57) **CLAIM**

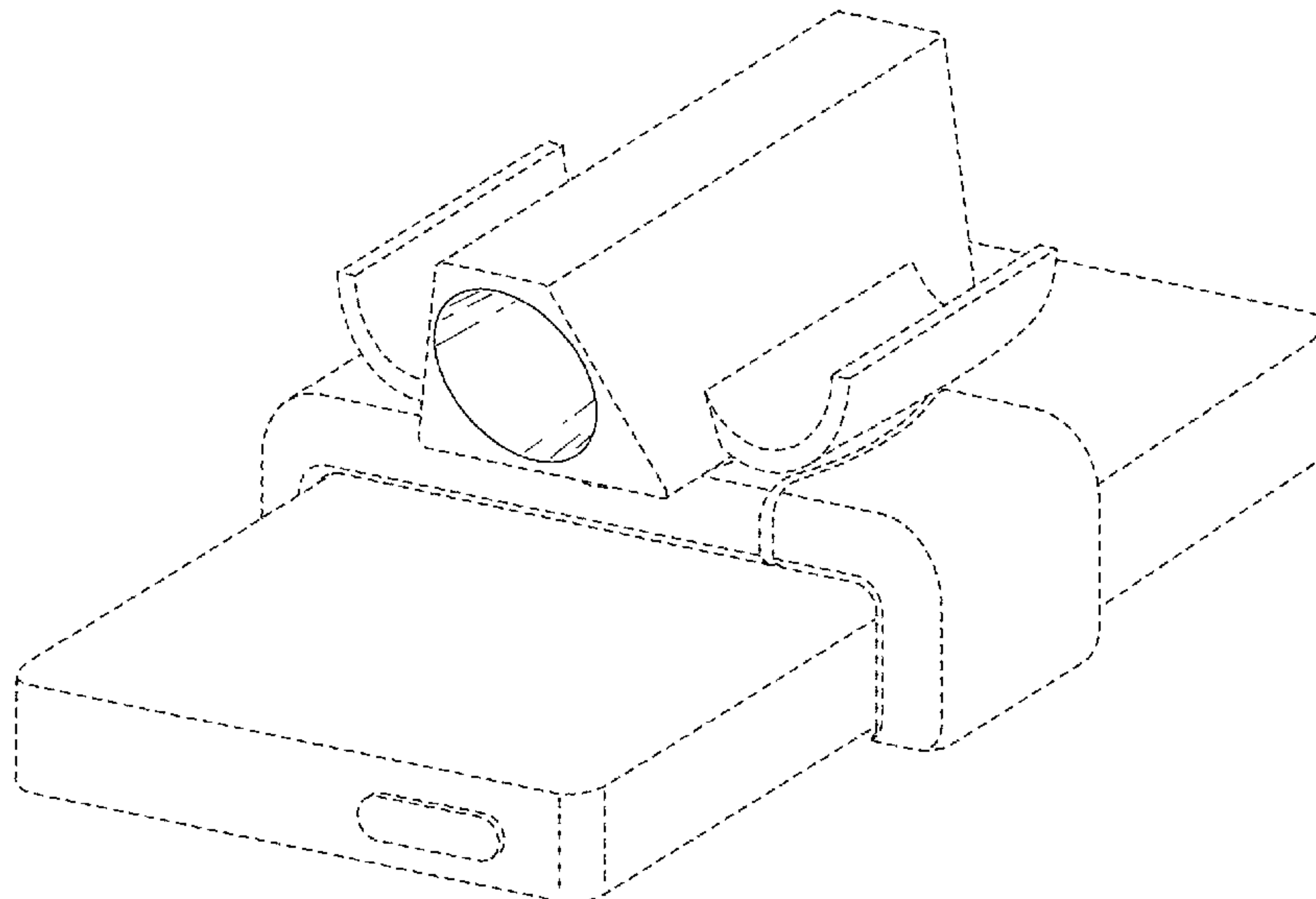
The ornamental design for a phone holder, as shown and described.

**DESCRIPTION**

FIG. 1 is a perspective view of the phone holder design; FIG. 2 is a front view, with the rear view being identical; FIG. 3 is a top plan view thereof; FIG. 4 is a bottom plan view thereof; and FIG. 5 is a right side view, with the left side view being identical; and, FIG. 6 is a cross sectional view shown along line VI-VI of FIG. 5.

The broken lines in the drawings show environment that forms no part of the claimed design.

**1 Claim, 3 Drawing Sheets**



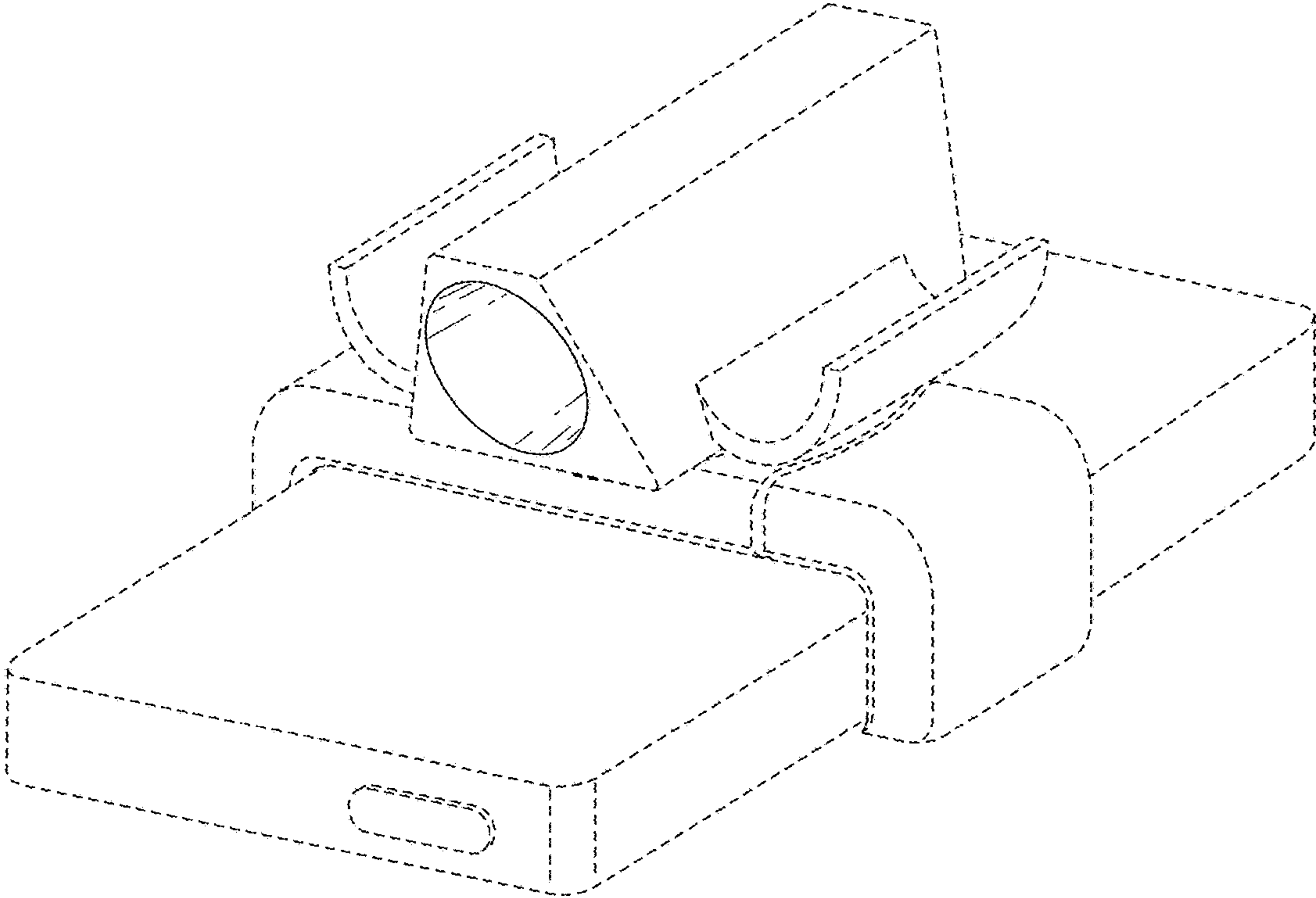


Fig. 1

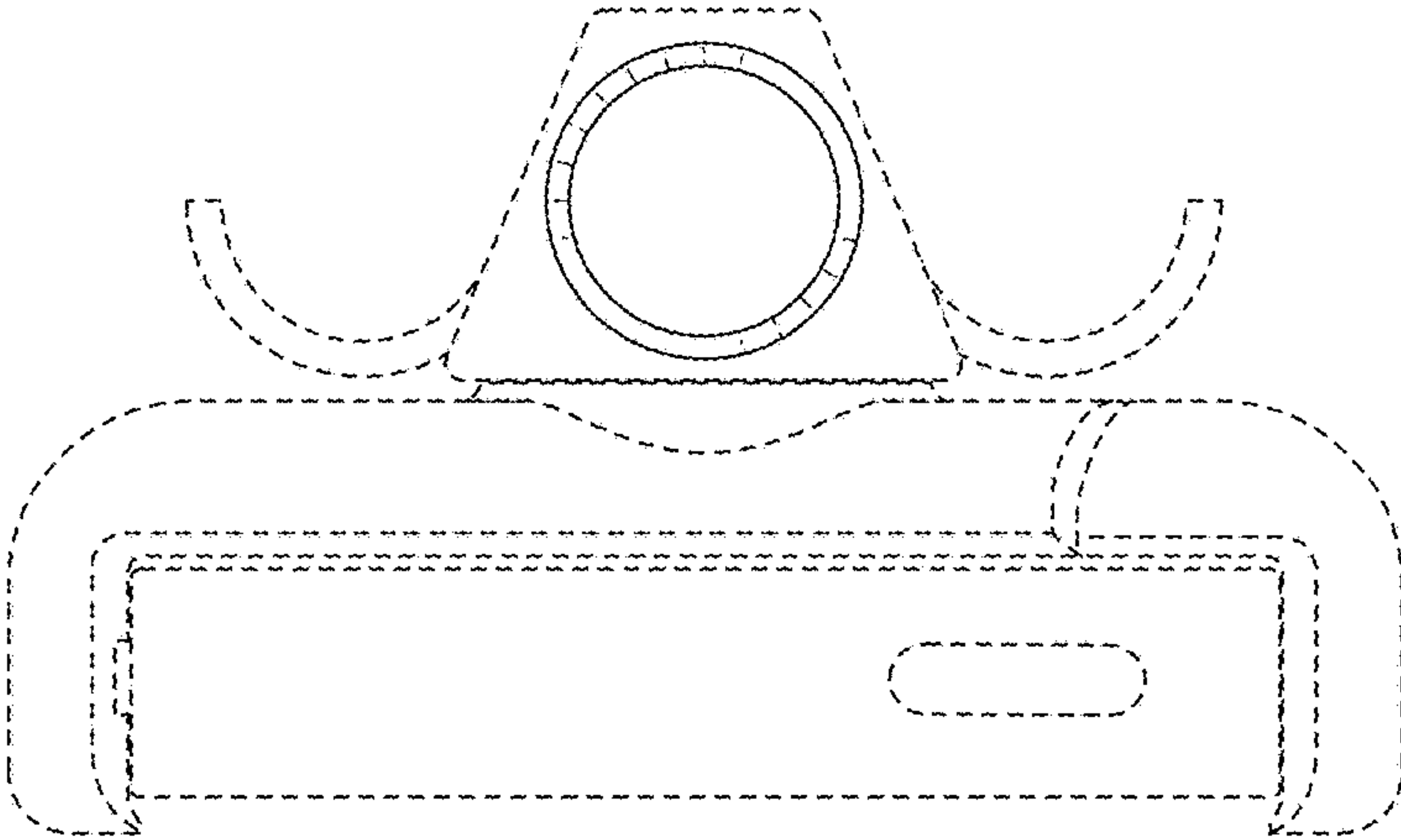


Fig. 2

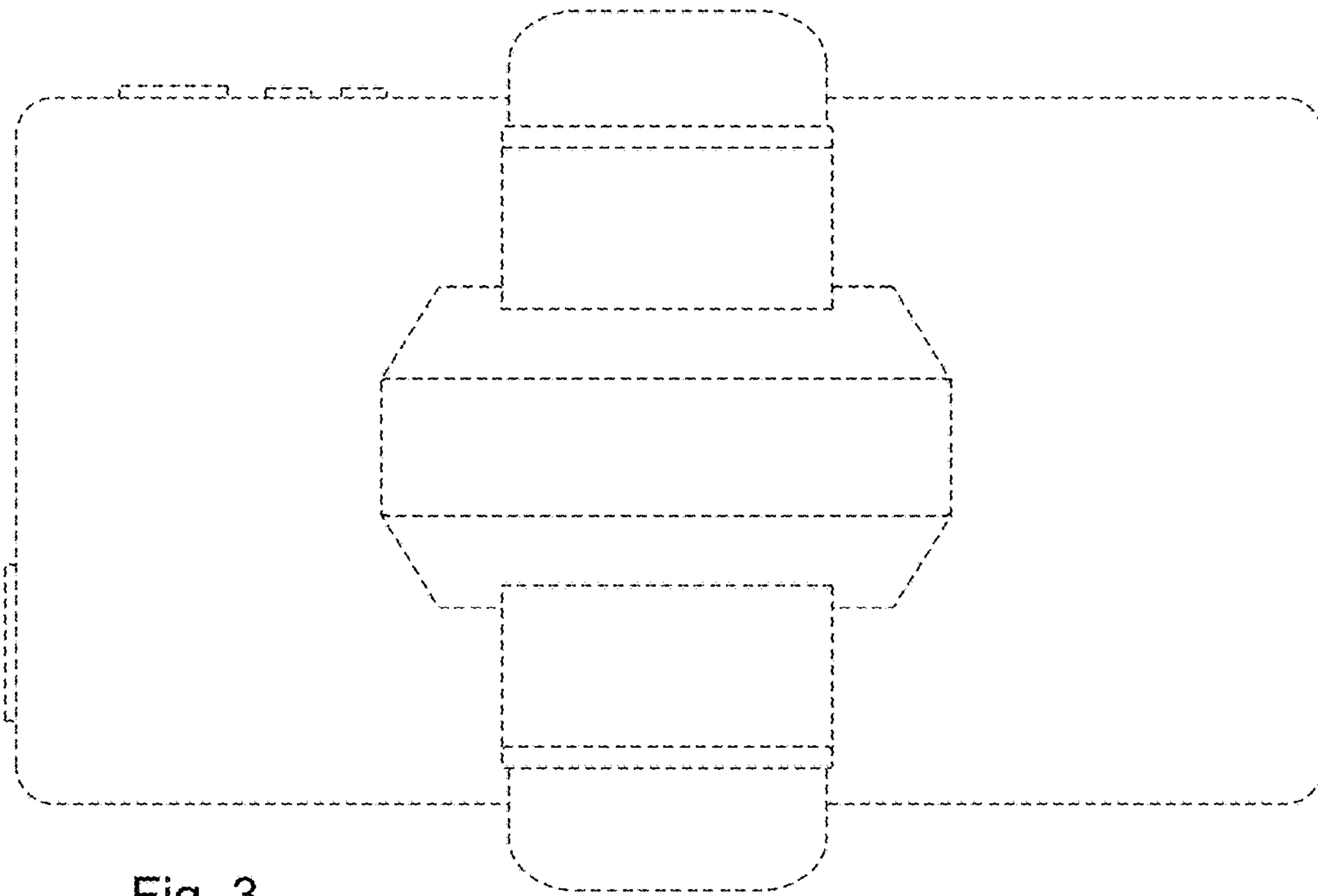


Fig. 3

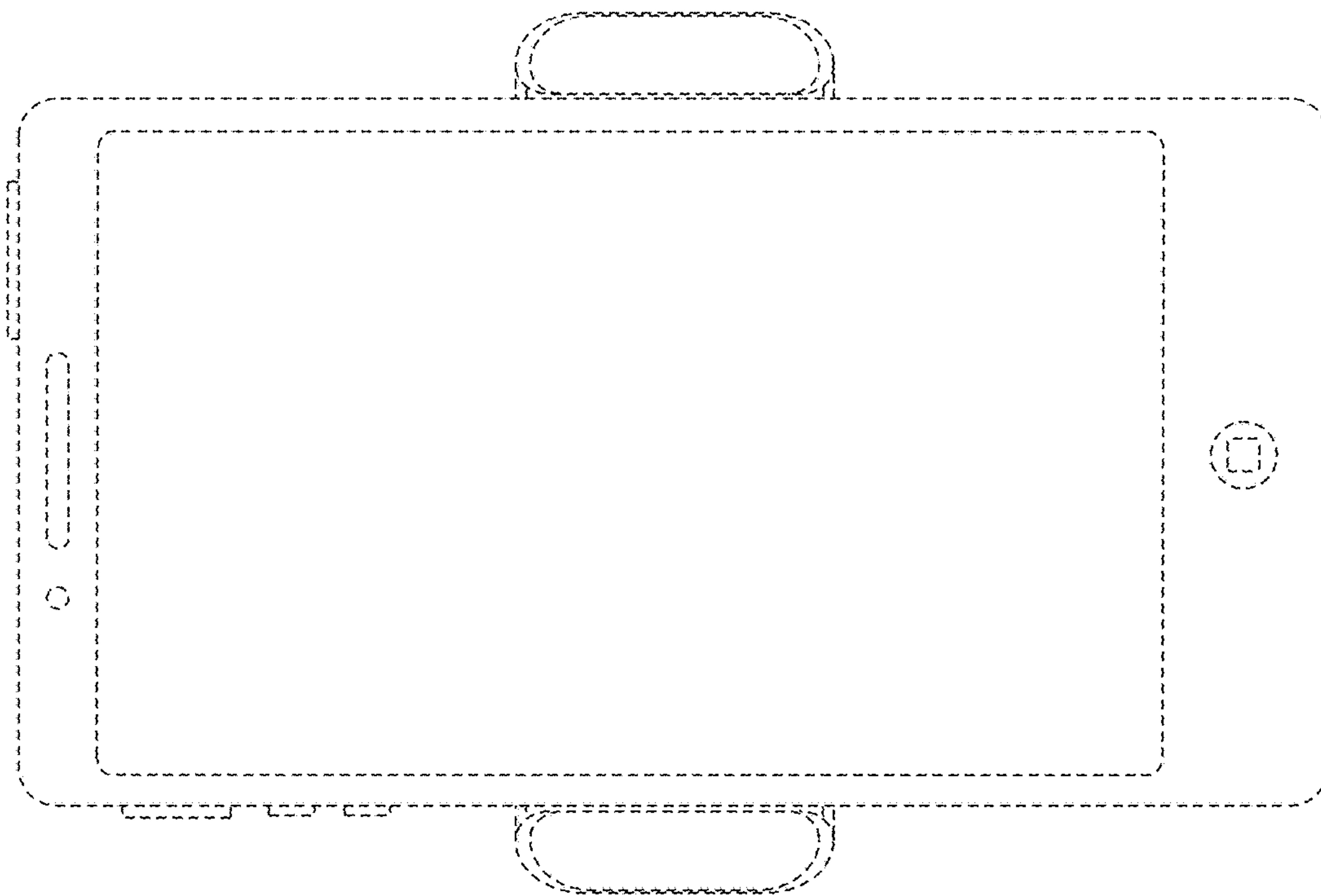


Fig. 4

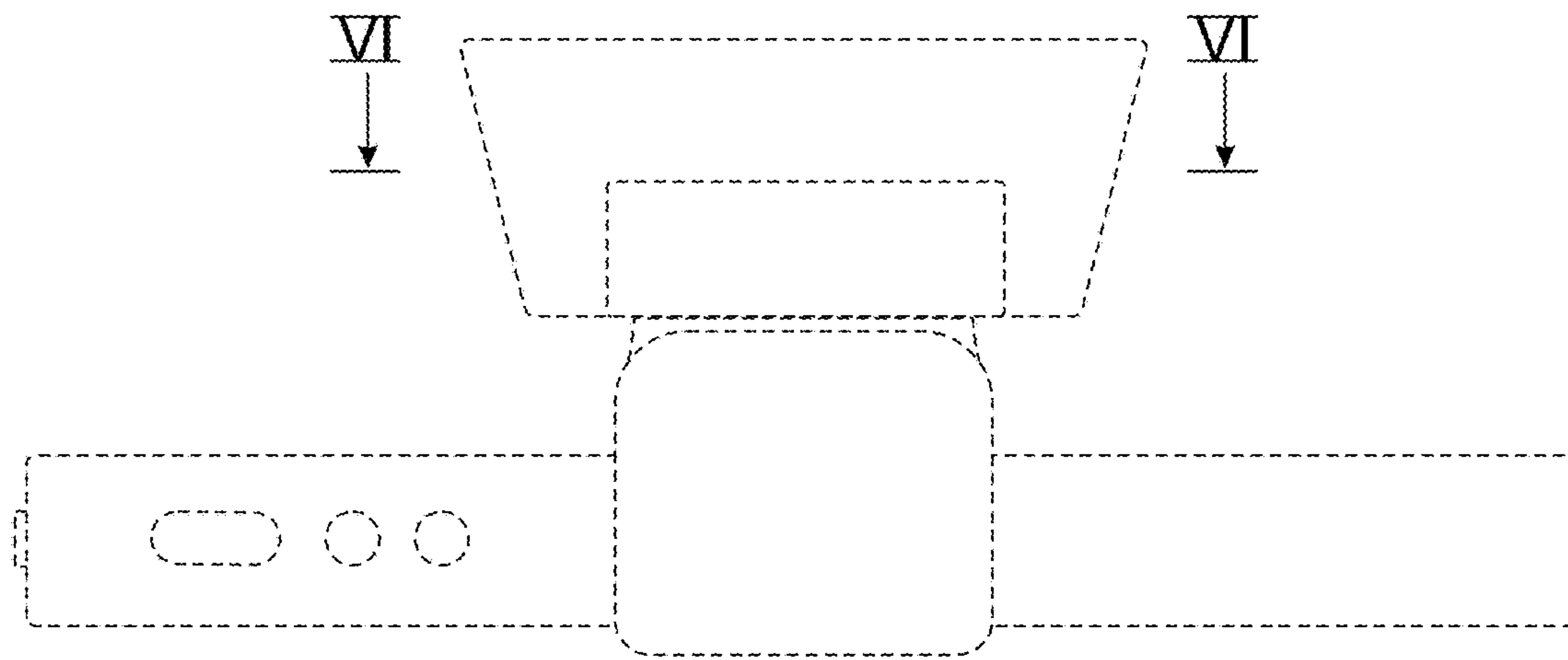


Fig. 5

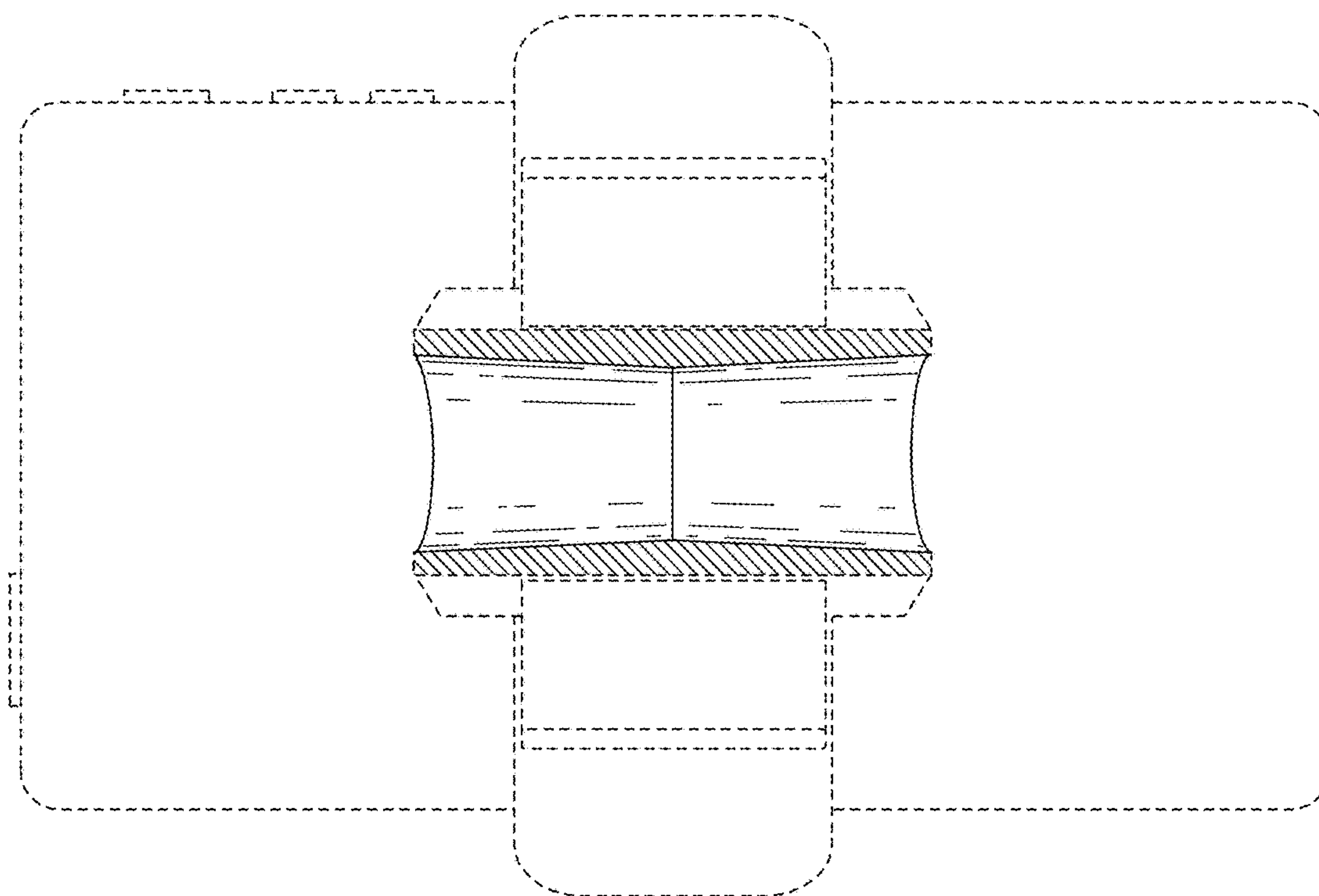


Fig. 6