



US00D805017S

(12) **United States Design Patent** (10) **Patent No.:** **US D805,017 S**
Wang et al. (45) **Date of Patent:** **** Dec. 12, 2017**

(54) **PROPELLER** 2,482,375 A 9/1949 Sensenich
3,078,925 A * 2/1963 Engstrand B63H 1/26
416/223 R
(71) Applicant: **SZ DJI Technology Co., Ltd.,** 3,461,966 A 8/1969 Biermann
Shenzhen (CN) D252,390 S 7/1979 Voisard
(72) Inventors: **Zhen Wang, Shenzhen (CN); Xifeng** D431,627 S * 10/2000 Etschel D12/214
Zhao, Shenzhen (CN); Ping Wang, D517,986 S * 3/2006 Wobben D13/115
Shenzhen (CN) D699,832 S * 2/2014 Lim D23/379
D704,775 S * 5/2014 Levy D21/398
D733,281 S * 6/2015 Herbst D23/328
(73) Assignee: **SZ DJI Technology Co., Ltd.,** D733,282 S * 6/2015 Peterson D23/328
Shenzhen (CN) D733,284 S * 6/2015 Lim D23/379
D751,026 S 3/2016 Tao
D763,134 S * 8/2016 Wang D12/16.1
(**) Term: **15 Years** D790,430 S * 6/2017 Ali D12/214
D796,023 S * 8/2017 Dou D23/370

(21) Appl. No.: **29/569,817**
(22) Filed: **Jun. 30, 2016**
(51) **LOC (10) Cl.** **12-16**
(52) **U.S. Cl.**
USPC **D12/214**
(58) **Field of Classification Search**
USPC D12/16.1, 207, 214, 300, 305, 317, 319,
D12/330, 344, 345; D15/4, 5; D23/200,
D23/207, 370, 379; D13/115, 184;
D21/301, 436, 441, 442, 450, 458;
D8/300, 402; 24/78, 79; 416/223 R;
366/270
CPC ... B63H 1/14; B63H 1/18; B63H 1/28; B63H
5/07; B63H 5/165; B64C 11/00; B64C
11/16; B64C 27/08; B64C 39/024; B64C
220/108; F02B 61/04
See application file for complete search history.

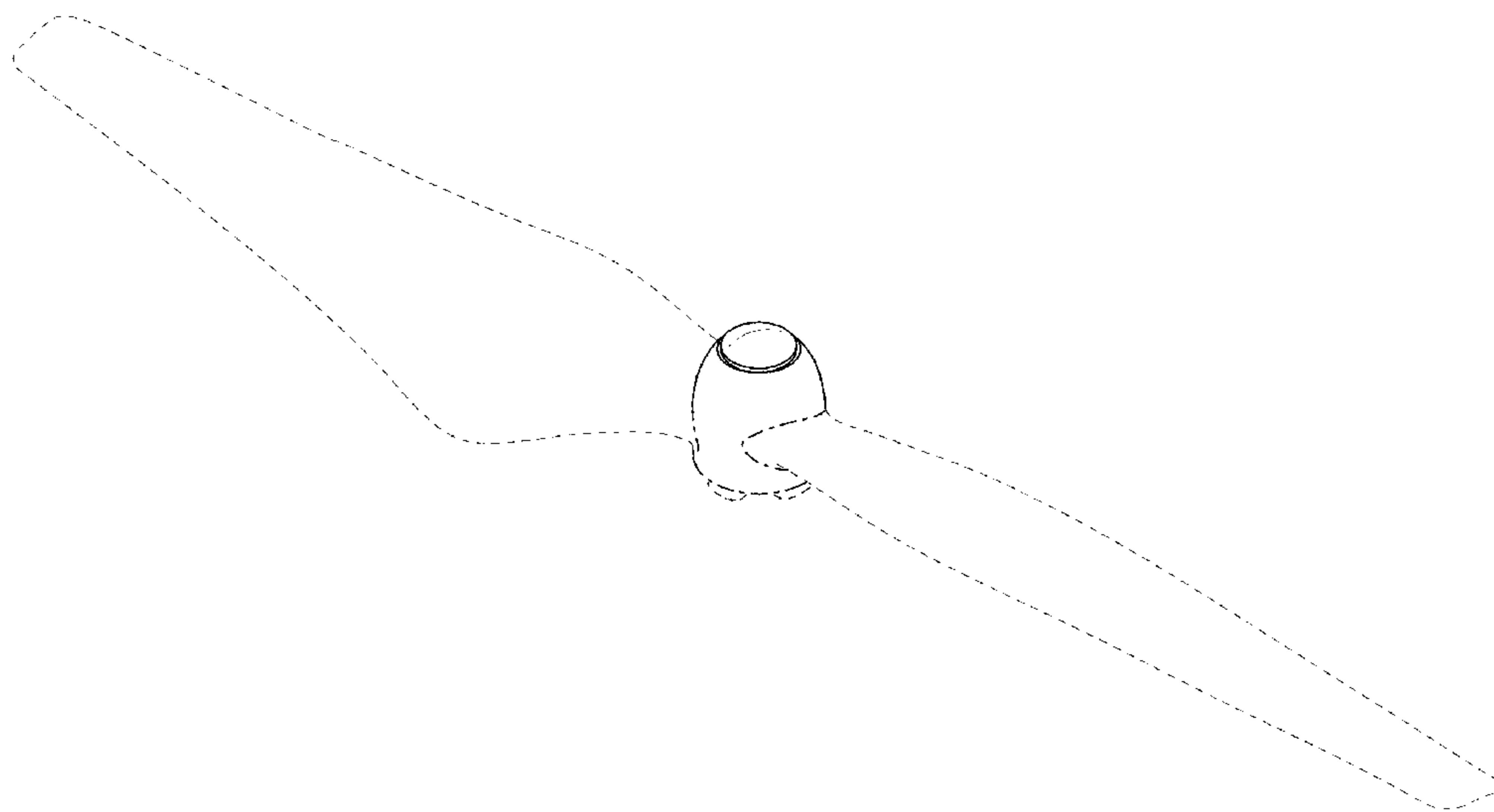
(56) **References Cited**
U.S. PATENT DOCUMENTS
1,592,031 A 7/1926 Lipari
1,623,420 A 4/1927 Leinweber
1,831,373 A 11/1931 Squires
1,905,891 A 4/1933 Blanchard
1,943,571 A 1/1934 Williamson
D152,705 S 2/1949 Leahy

(Continued)
Primary Examiner — Wan Laymon
Assistant Examiner — Clint A Samuel
(74) *Attorney, Agent, or Firm* — Sterne, Kessler,
Goldstein & Fox P.L.L.C.

(57) **CLAIM**
The ornamental design for a propeller, as shown and
described.

DESCRIPTION
FIG. 1 is a top front perspective view of a propeller showing
the claimed design;
FIG. 2 is a bottom rear perspective view thereof;
FIG. 3 is a top view thereof;
FIG. 4 is a bottom view thereof;
FIG. 5 is a front side view thereof;
FIG. 6 is a rear view thereof;
FIG. 7 is a left view thereof; and,
FIG. 8 is a right view thereof.
The broken lines in the figures show portions of the propeller
that form no part of the claimed design.
The dot-dash lines in the figures show boundaries that form
no part of the claimed design.

1 Claim, 4 Drawing Sheets



(56)

References Cited

U.S. PATENT DOCUMENTS

D796,586 S * 9/2017 Chen D12/16.1
2009/0220347 A1 9/2009 Ball et al.
2011/0229329 A1 9/2011 Occhipinti
2012/0189457 A1 7/2012 Occhipinti

* cited by examiner

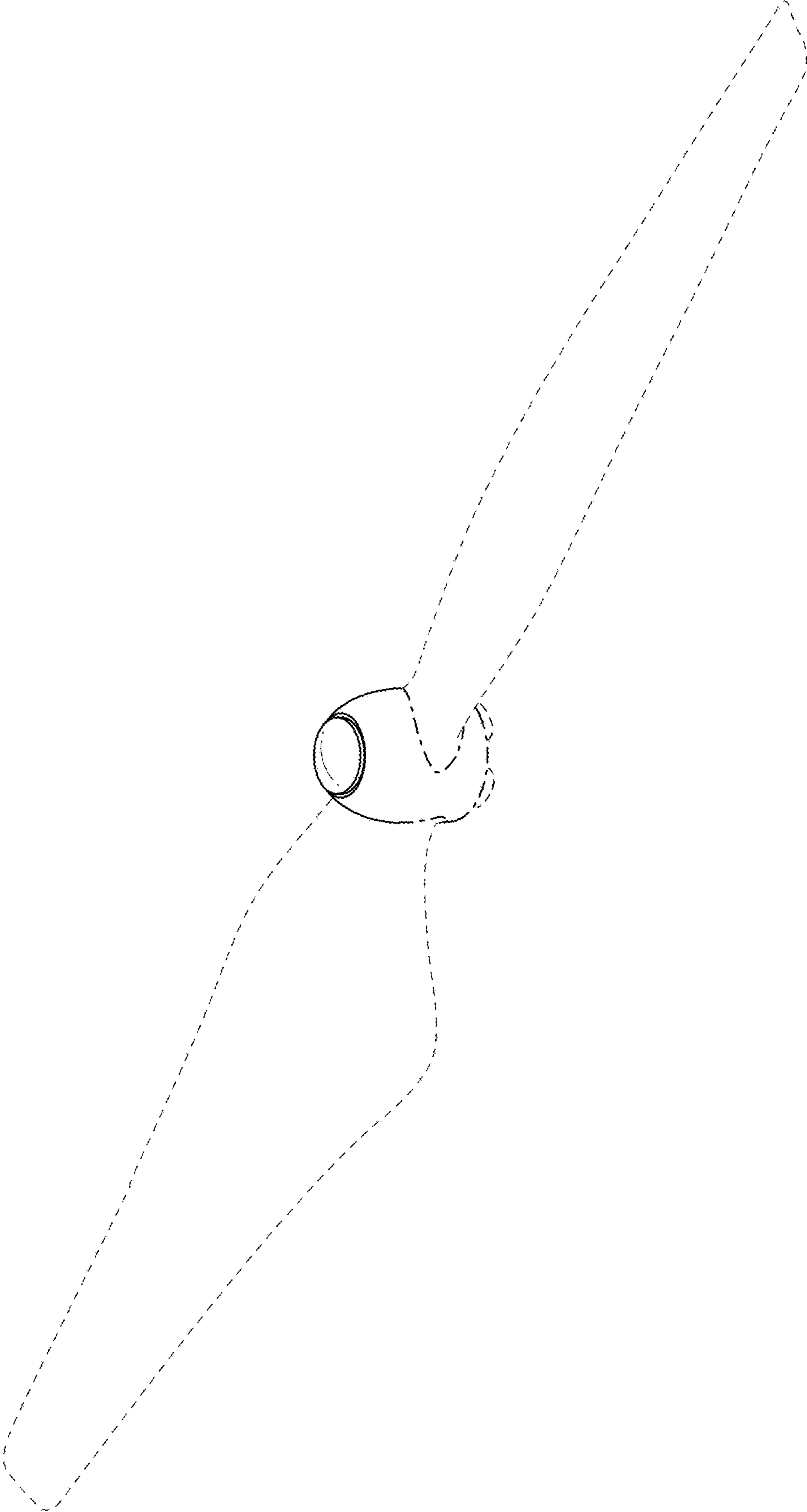


FIG. 1

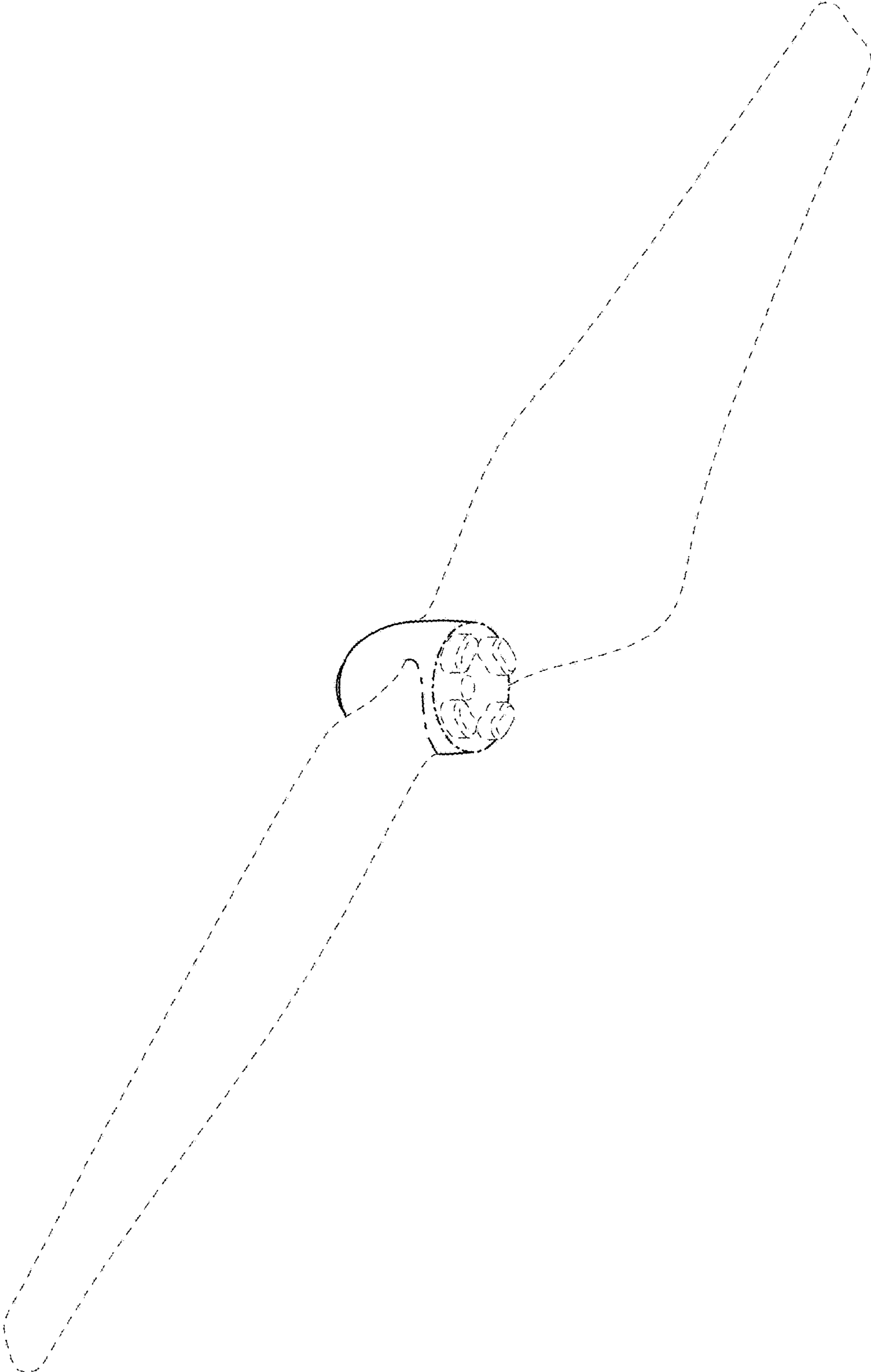


FIG. 2

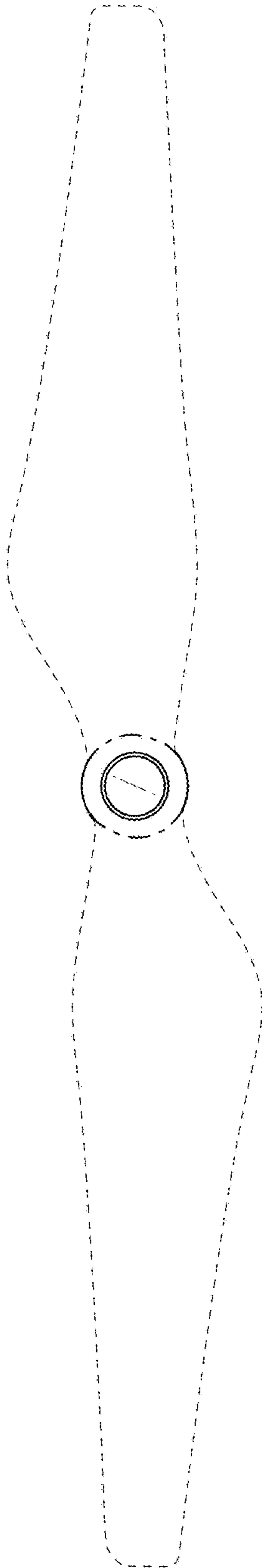


FIG. 3

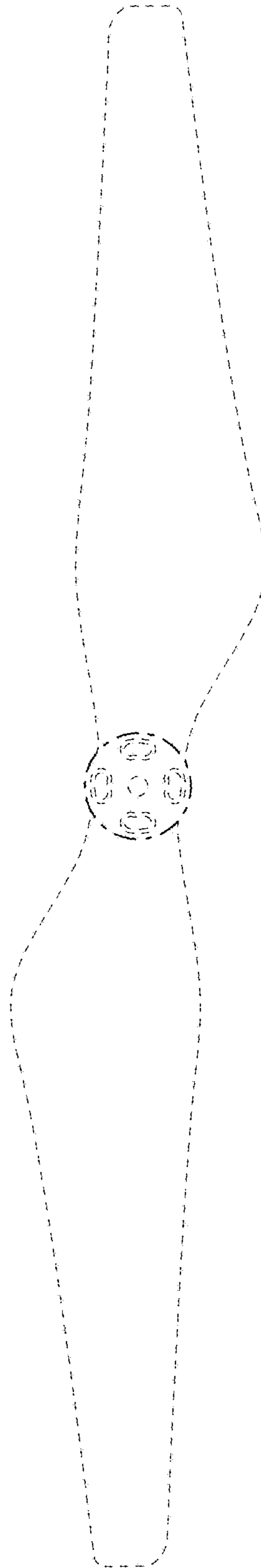


FIG. 4

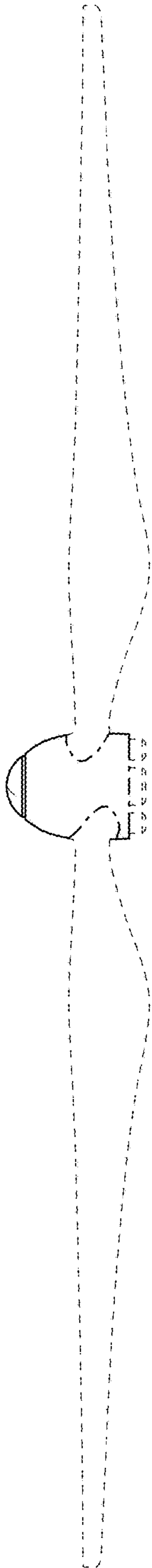


FIG. 5

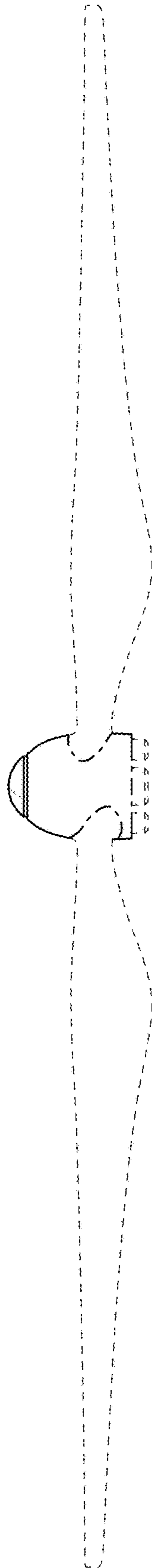


FIG. 6

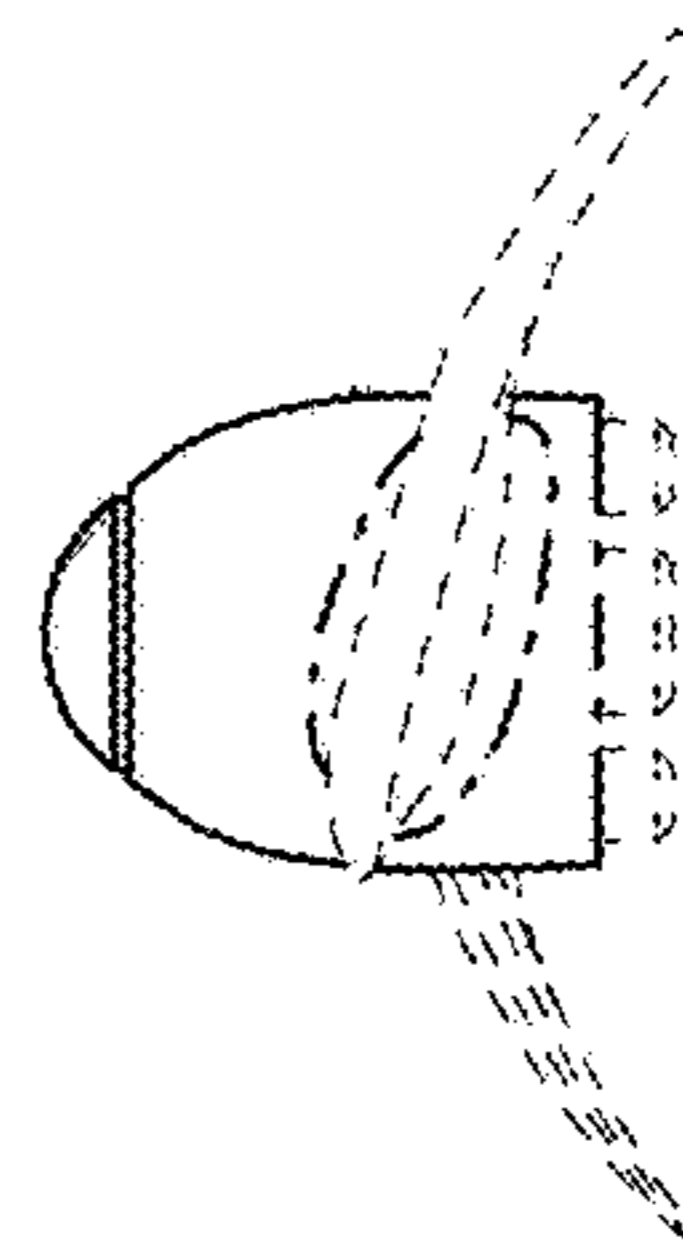


FIG. 7

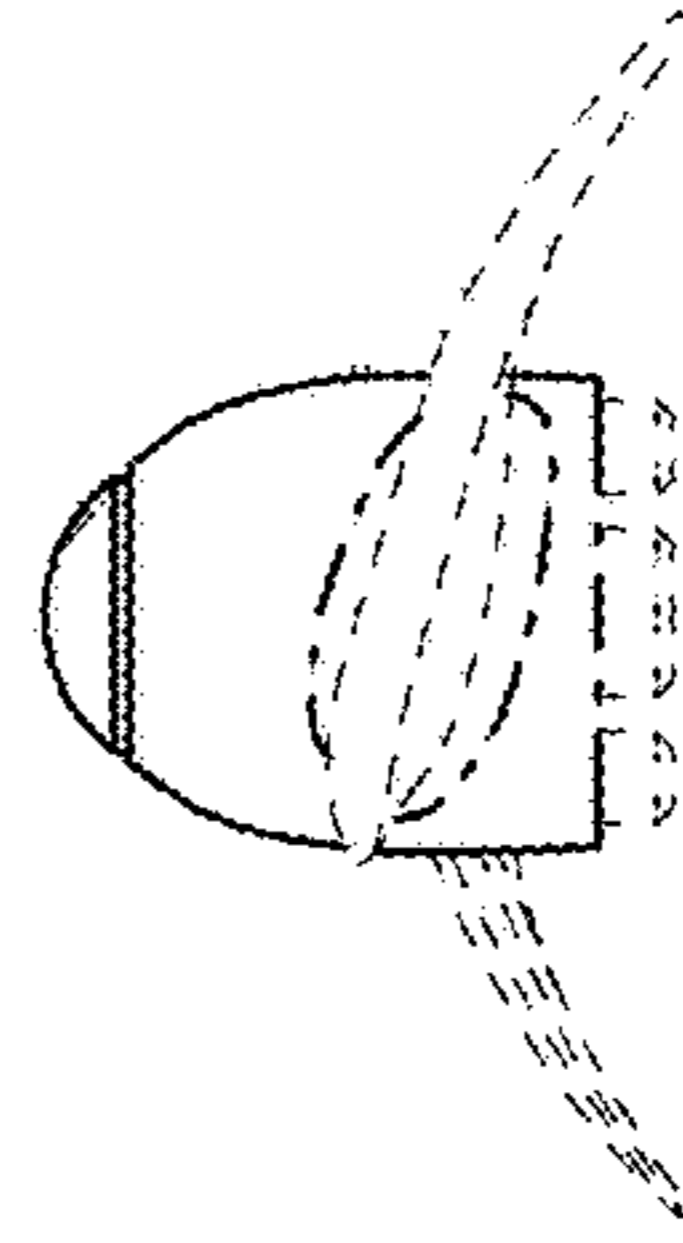


FIG. 8