



US00D805012S

(12) **United States Design Patent**
Crippa et al.

(10) **Patent No.:** **US D805,012 S**

(45) **Date of Patent:** **** Dec. 12, 2017**

- (54) **DISC BRAKE CALIPER**
- (71) Applicant: **FRENI BREMBO S.P.A.**, Curno (IT)
- (72) Inventors: **Cristian Crippa**, Curno (IT); **Adriano Bonetti**, Bergamo (IT); **Alfredo Epis**, Bergamo (IT)
- (73) Assignee: **FRENI BREMBO S.p.A.**, Curno (IT)
- (**) Term: **15 Years**
- (21) Appl. No.: **35/501,393**
- (22) Filed: **May 17, 2016**
- (80) **Hague Agreement Data**
 Int. Filing Date: **May 17, 2016**
 Int. Reg. No.: **DM/091932**
 Int. Reg. Date: **May 17, 2016**
 Int. Reg. Pub. Date: **Aug. 12, 2016**

D520,924 S *	5/2006	Gotti	D12/180
D522,420 S *	6/2006	Crippa	D12/180
D522,421 S *	6/2006	Crippa	D12/180
D523,794 S *	6/2006	Strumbo	D12/180
D555,555 S *	11/2007	Ikuzawa	D12/180
D556,103 S *	11/2007	Morimoto	D12/180
D588,513 S *	3/2009	Crippa	D12/180
D600,613 S *	9/2009	Jungmann	D12/180
D607,793 S *	1/2010	Maroni	D12/180
D610,059 S *	2/2010	Azimonti	D12/180
D610,507 S *	2/2010	Azimonti	D12/180
D619,063 S *	7/2010	Veneziano	D12/180
D623,102 S *	9/2010	Gherardi	D12/180
D642,100 S *	7/2011	Crippa	D12/180
D692,356 S *	10/2013	Owen	D12/180
D700,551 S *	3/2014	Davenport, III	D12/180
D785,520 S *	5/2017	Bonetti	D12/180
9,657,789 B2 *	5/2017	Castellana	F16D 55/226
D790,417 S *	6/2017	Bertone	D12/180
2013/0092481 A1 *	4/2013	Crippa	F16D 55/228 188/73.31

(Continued)

Primary Examiner — Darlington Ly
(74) *Attorney, Agent, or Firm* — Thomas | Horstemeyer, LLP

- (30) **Foreign Application Priority Data**
 Nov. 17, 2015 (IT) 402015000073434
- (51) **LOC (10) Cl.** **12-16**
- (52) **U.S. Cl.**
 USPC **D12/180**
- (58) **Field of Classification Search**
 USPC D12/180
 CPC F16D 55/226; F16D 65/0068; F16D 65/18;
 F16D 65/58; F16D 65/183
 See application file for complete search history.

(57) **CLAIM**

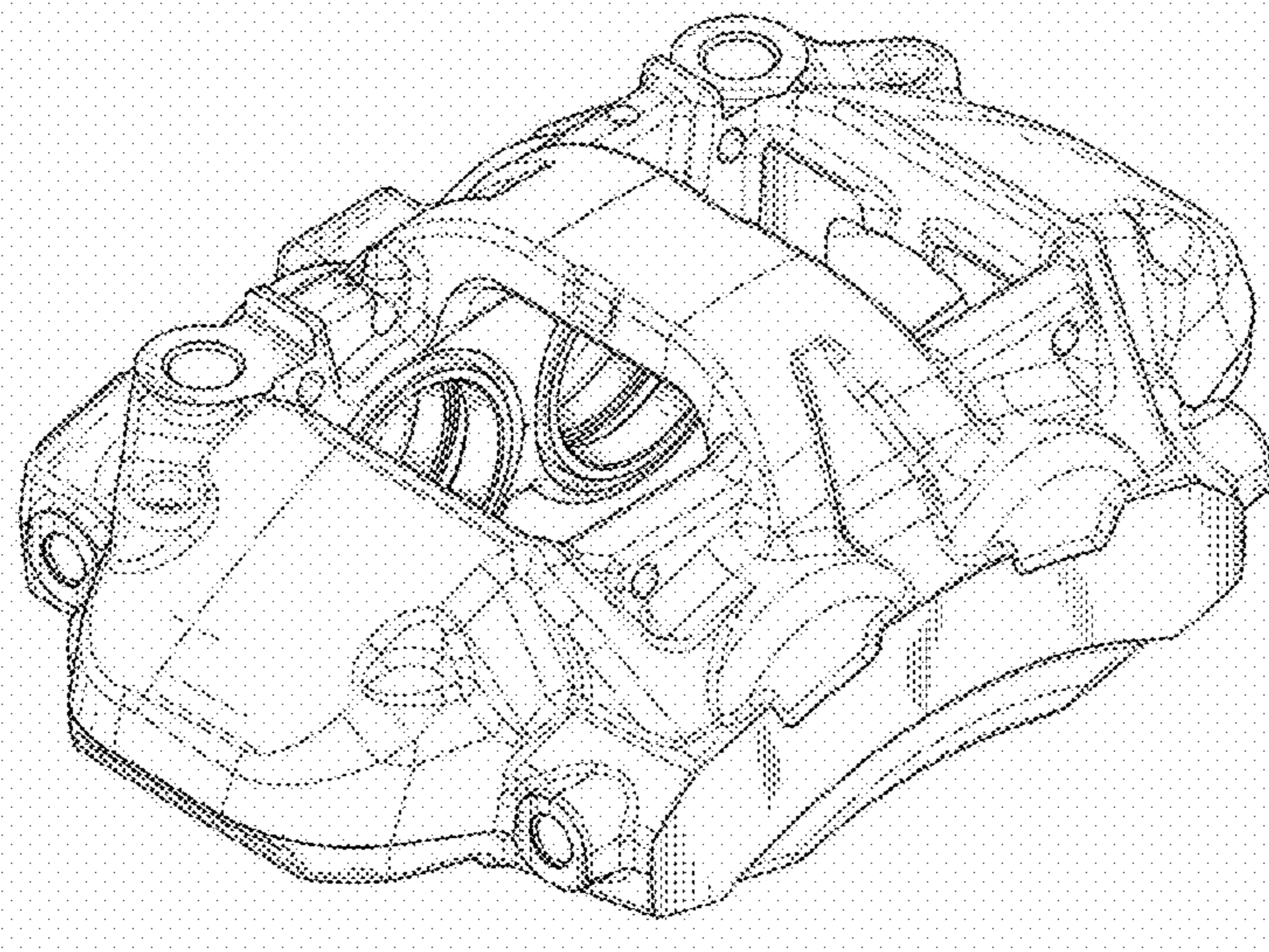
The ornamental design for a disc brake caliper, as shown and described.

DESCRIPTION

- 1. Disc brake caliper
- 1.1** is a top, front, and left-side perspective view of a disc brake caliper showing our new design;
- 1.2** is a top, front, and right-side perspective view thereof;
- 1.3** is a top, rear, and left-side perspective view thereof;
- 1.4** is a top, rear, and right-side perspective view thereof;
- 1.5** is a front elevation view thereof;
- 1.6** is a rear elevation view thereof;
- 1.7** is a top plan view thereof;
- 1.8** is a right-side elevation view thereof; and
- 1.9** is a left-side elevation view thereof.

- (56) **References Cited**
 U.S. PATENT DOCUMENTS
 D373,340 S * 9/1996 Sands D12/180
 D442,900 S * 5/2001 Separautzki D12/180
 D506,714 S * 6/2005 Ono D12/180
 D508,000 S * 8/2005 Schorn D12/180
 D512,352 S * 12/2005 Veneziano D12/180

1 Claim, 9 Drawing Sheets



(56)

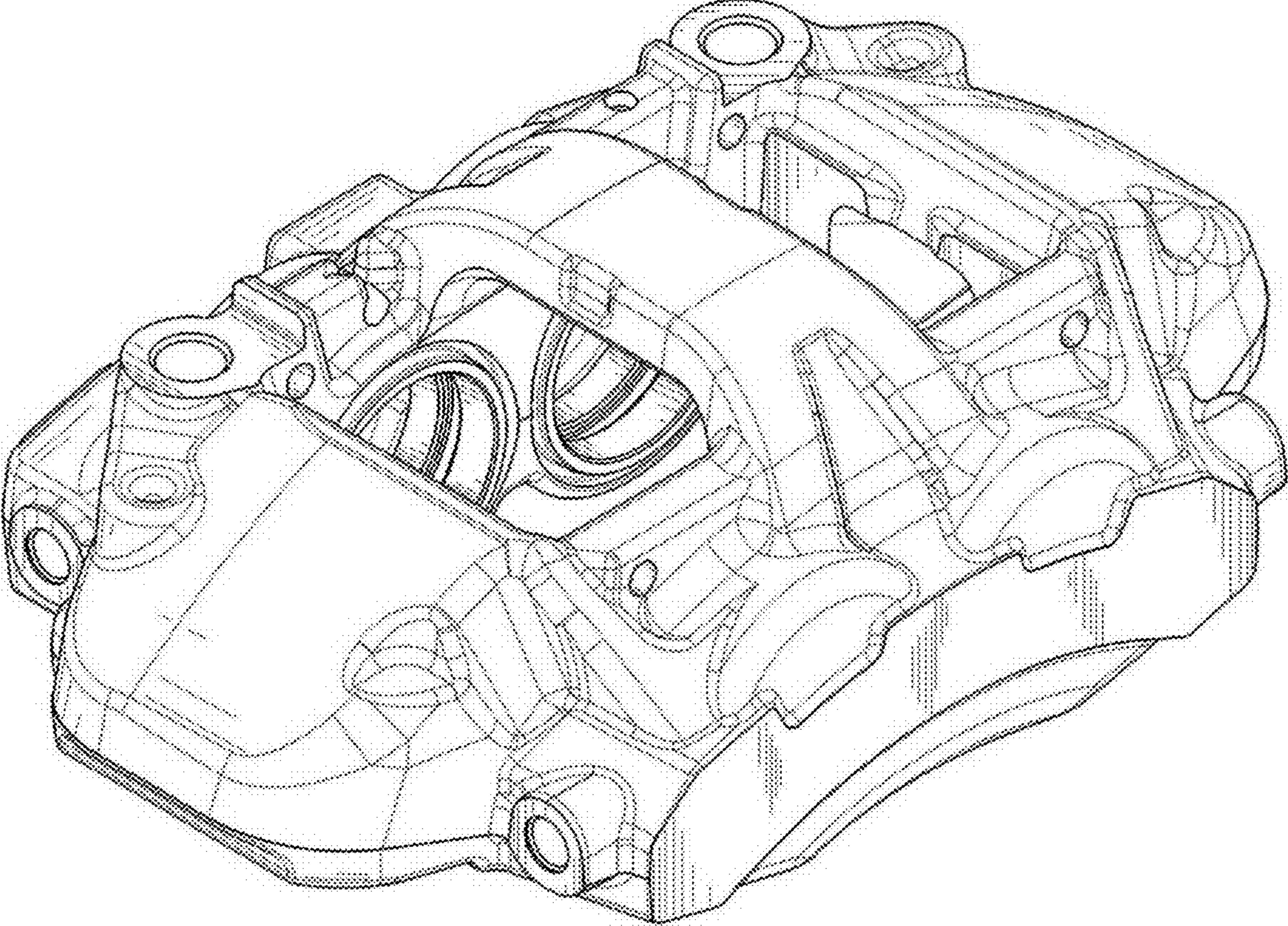
References Cited

U.S. PATENT DOCUMENTS

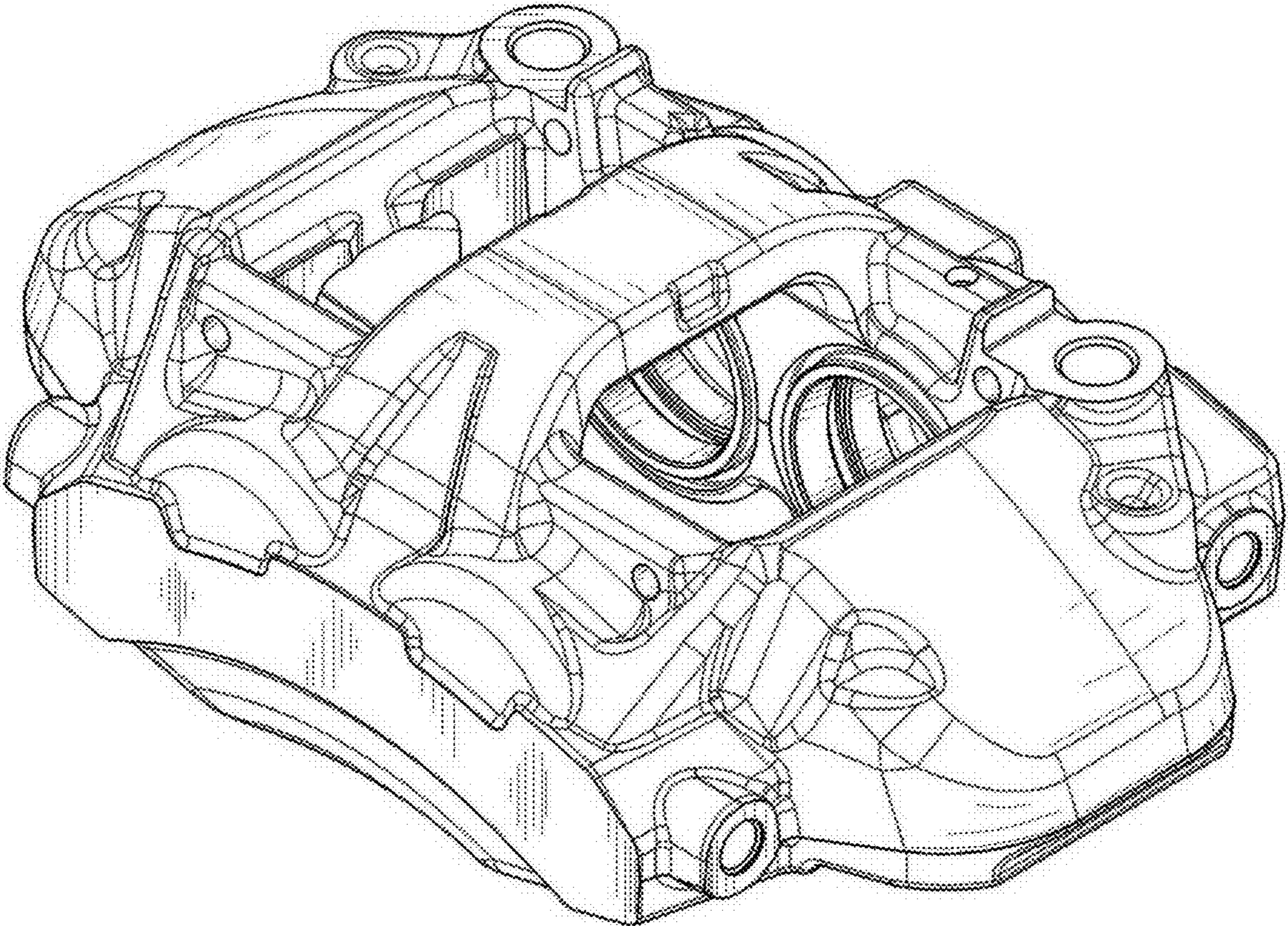
2015/0021124 A1* 1/2015 Preda F16D 55/228
188/71.6
2015/0027821 A1* 1/2015 Nessi F16D 55/224
188/72.3
2016/0003315 A1* 1/2016 Crippa F16D 55/2265
188/72.3
2016/0053835 A1* 2/2016 Castellana F16D 55/22
188/72.4

* cited by examiner

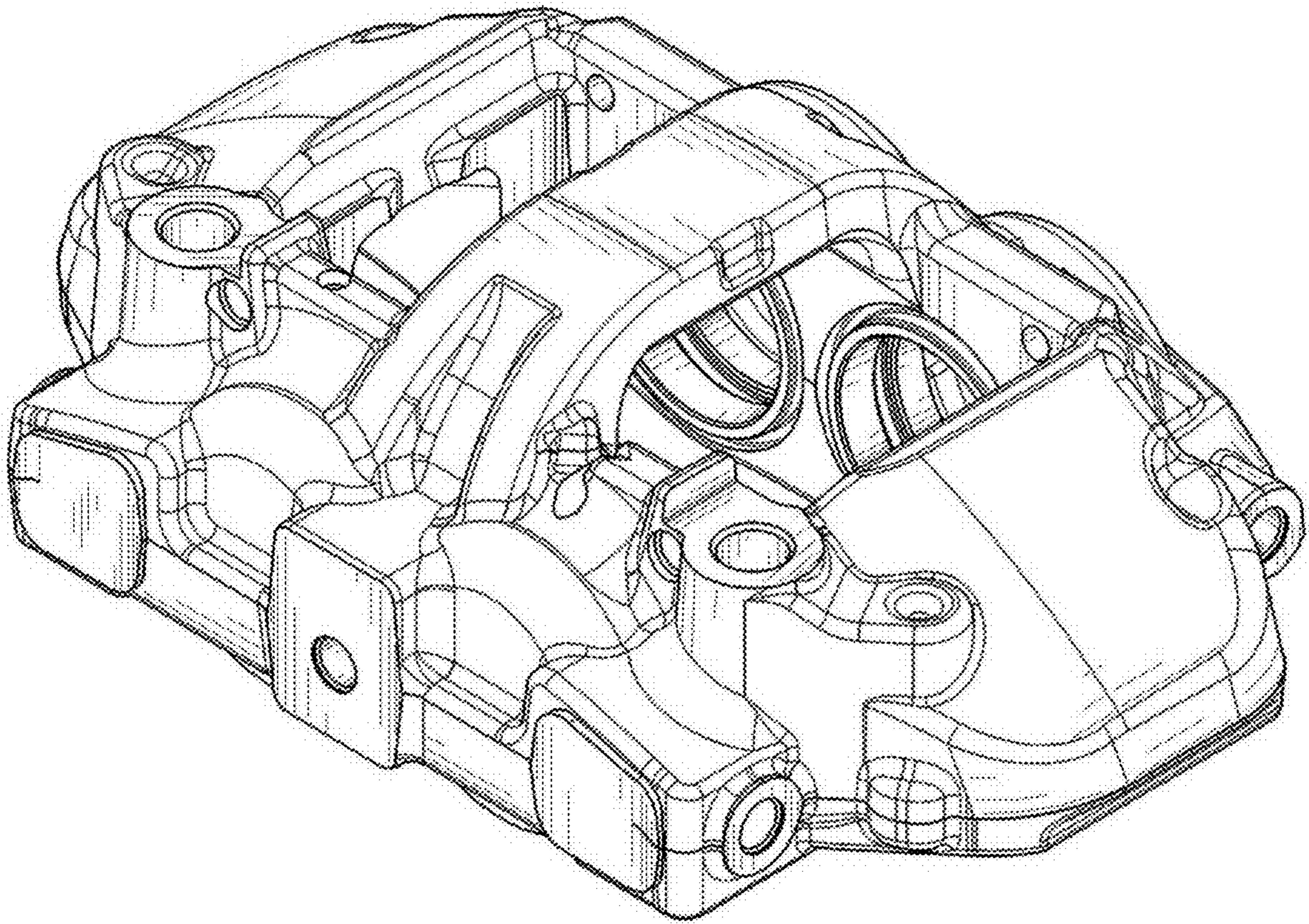
1.1



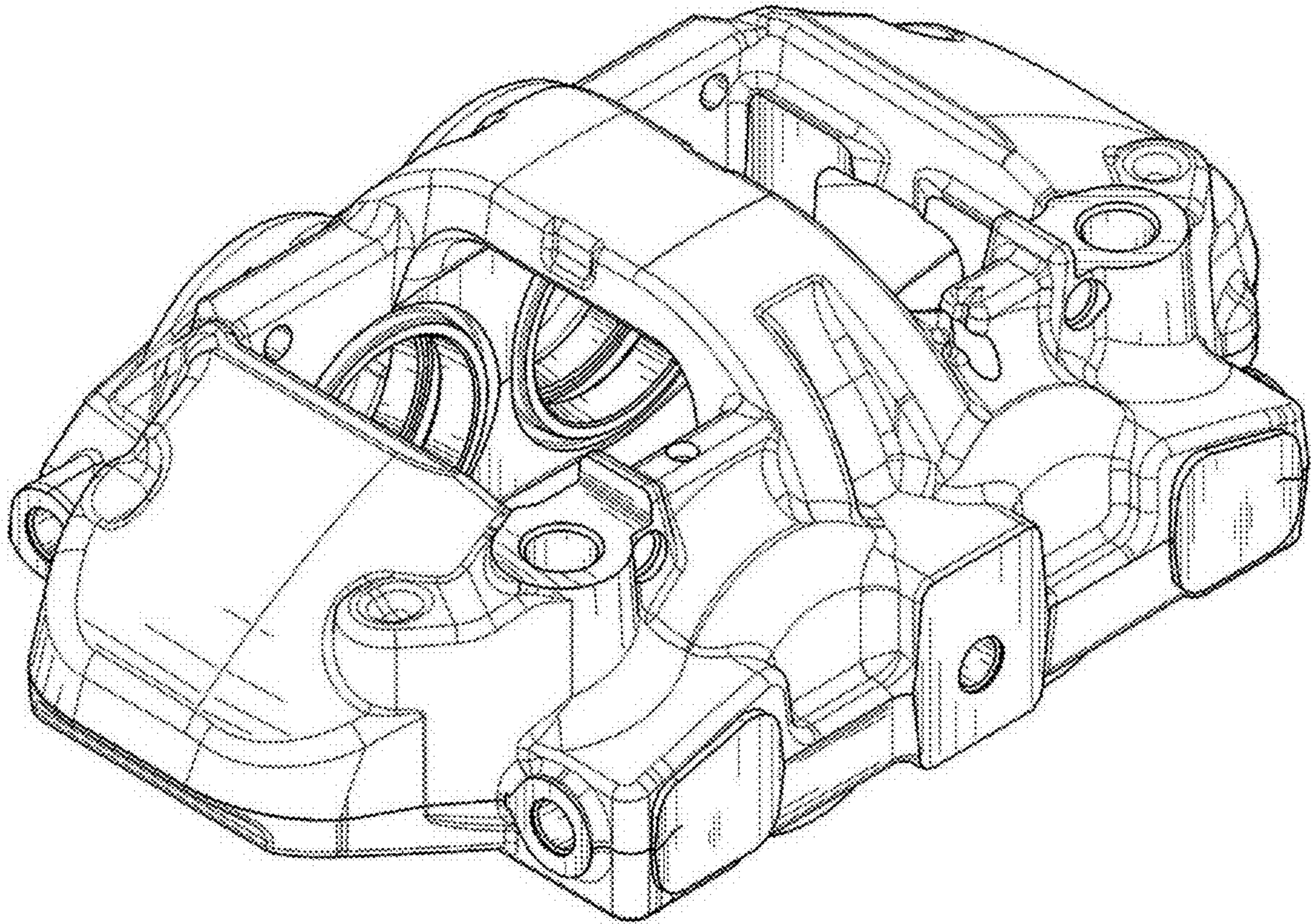
1.2



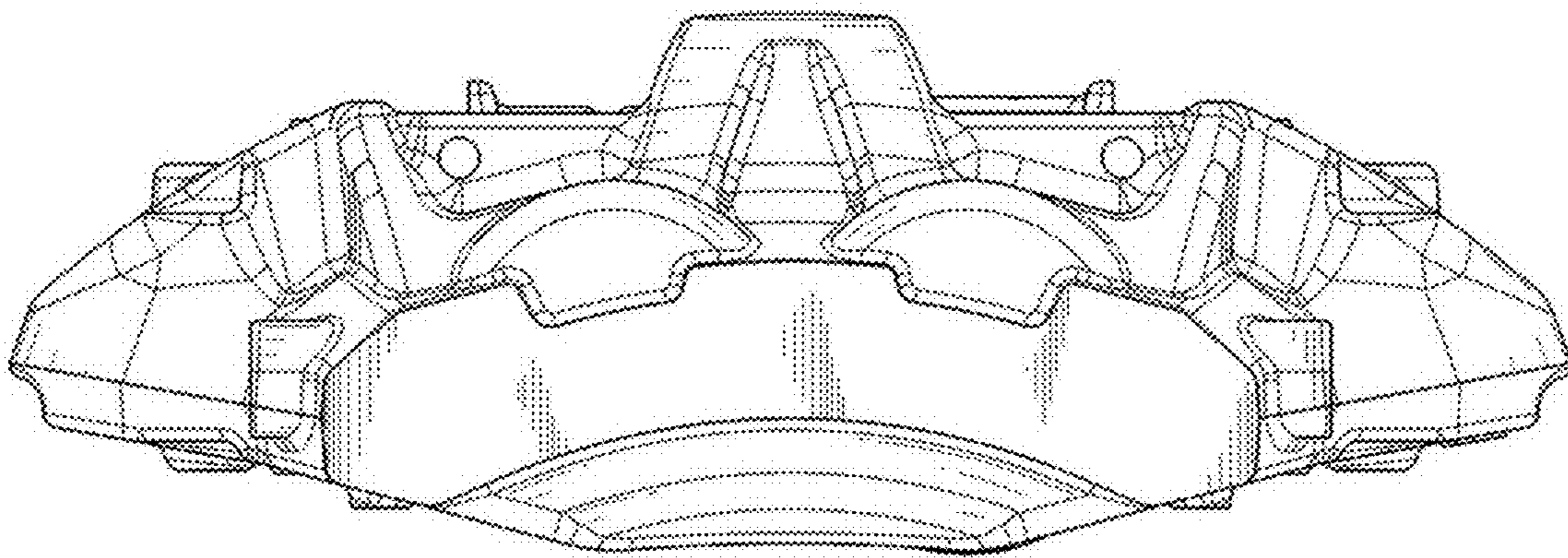
1.3



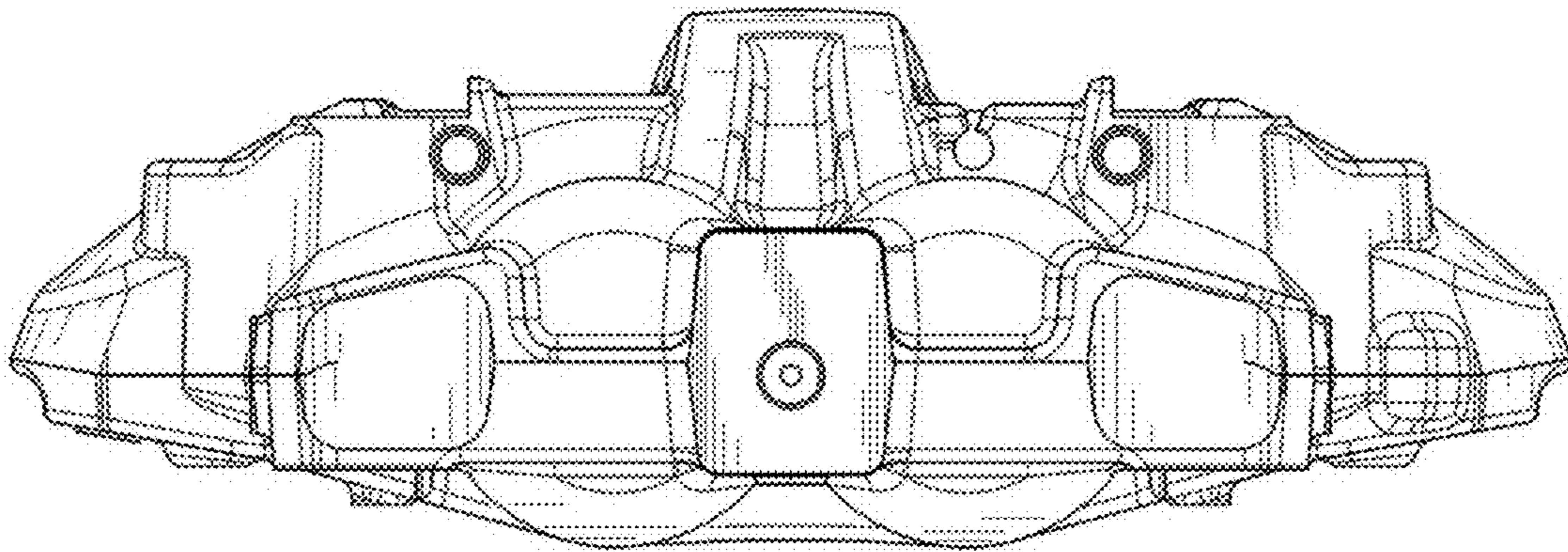
1.4



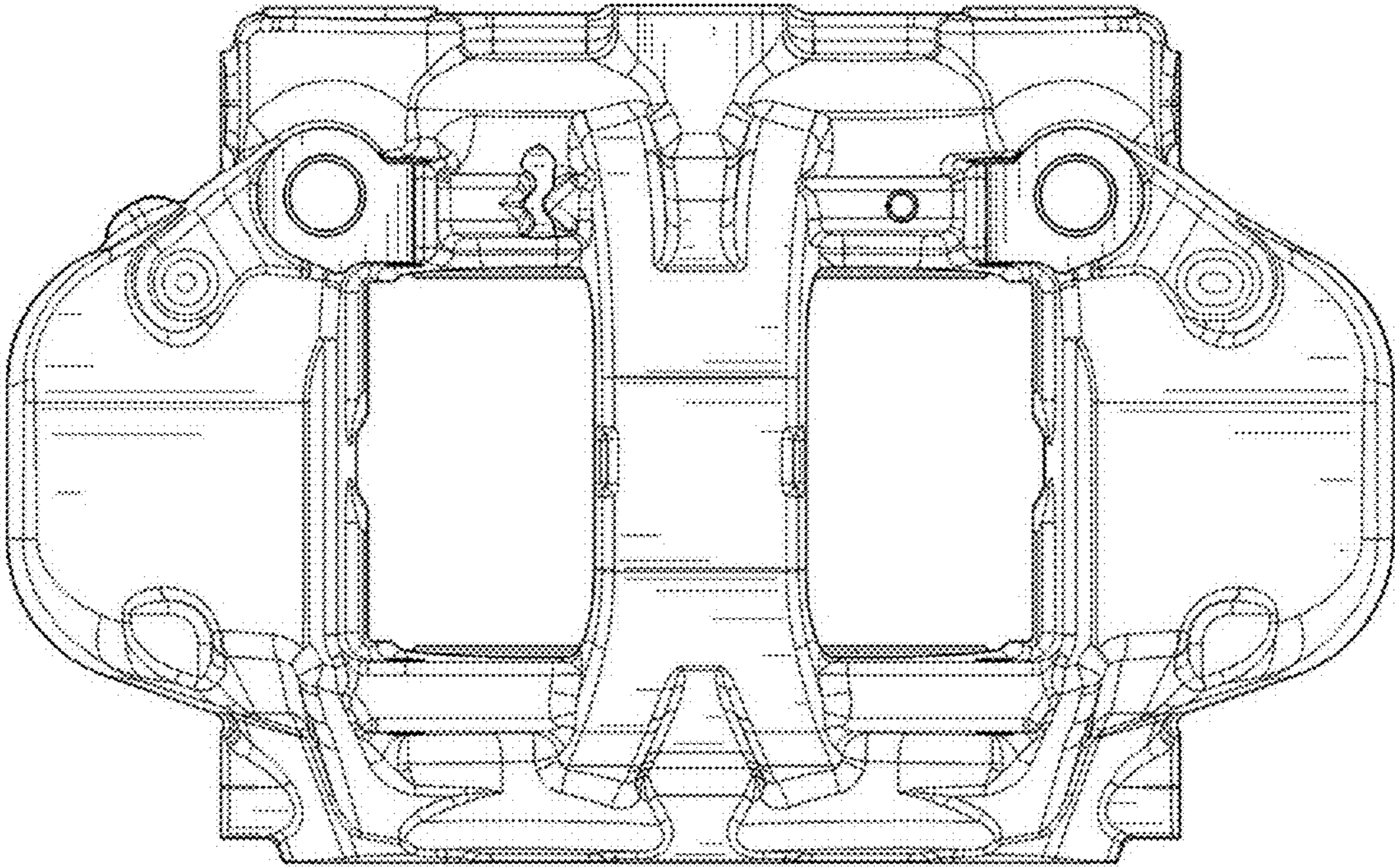
1.5



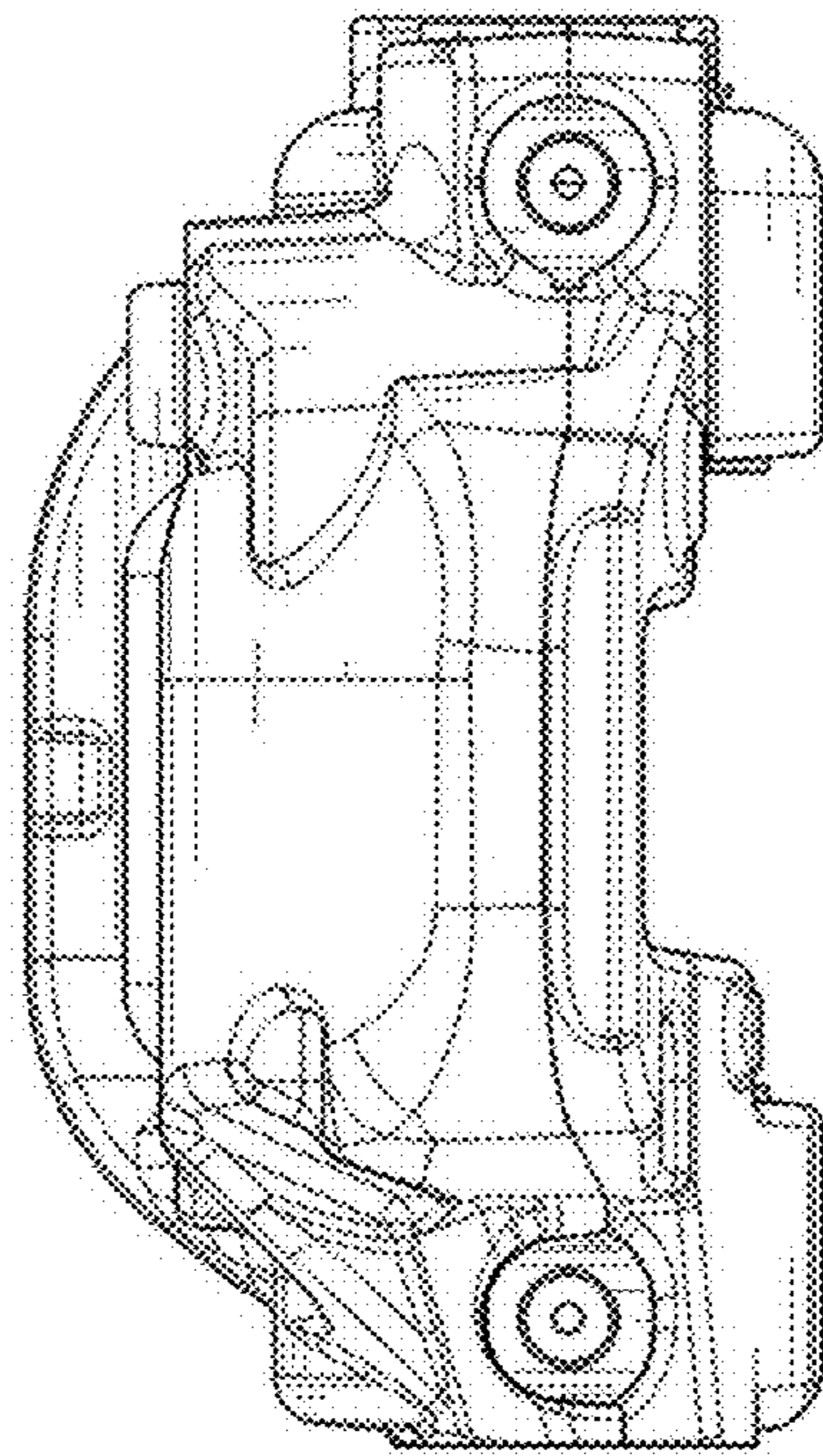
1.6



1.7



1.8



1.9

