



US00D805010S

(12) **United States Design Patent** (10) **Patent No.:** **US D805,010 S**  
**Ye** (45) **Date of Patent:** **\*\* Dec. 12, 2017**

(54) **VEHICLE BUMPER WITH LIGHT KIT**

(71) Applicant: **Chongqing Richland Mold Corp.,**  
Chongqing (CN)

(72) Inventor: **Lin Ye, Chongqing (CN)**

(73) Assignee: **CHONGQING RICHLAND MOLD**  
**CORP., Chongqing (CN)**

(\*\*) Term: **15 Years**

(21) Appl. No.: **29/574,447**

(22) Filed: **Aug. 15, 2016**

(30) **Foreign Application Priority Data**

Aug. 4, 2016 (CN) ..... 2016 3 0366245

(51) **LOC (10) Cl.** ..... **12-16**

(52) **U.S. Cl.**  
USPC ..... **D12/171; D12/169**

(58) **Field of Classification Search**  
USPC ..... D12/86, 90, 91, 92, 163, 164, 169, 171,  
D12/196, 216

CPC ..... B60R 19/02; B60R 19/18; B60R 19/24;  
B60R 19/56; B60R 2019/007

See application file for complete search history.

(56) **References Cited**

U.S. PATENT DOCUMENTS

4,315,634 A \* 2/1982 Arenhold ..... B62D 25/18  
280/851

5,407,229 A \* 4/1995 Garrett ..... B62D 25/18  
280/851

D420,962 S \* 2/2000 Chevalier ..... D12/171  
6,179,311 B1 \* 1/2001 Larkin ..... B62D 25/188  
280/154  
D472,854 S \* 4/2003 Weber ..... D12/163  
D532,348 S \* 11/2006 Kudo ..... D12/171  
D557,642 S \* 12/2007 Miwa ..... D12/171  
D580,322 S \* 11/2008 Schroeder ..... D12/107  
D642,099 S \* 7/2011 Nagao ..... D12/171  
D691,074 S \* 10/2013 Dugardin ..... D12/171  
D724,505 S \* 3/2015 Schroeder ..... D12/171  
9,004,538 B2 \* 4/2015 Eklund ..... B62D 25/18  
280/762  
D781,757 S \* 3/2017 Baggett ..... D12/16

\* cited by examiner

*Primary Examiner* — Darlington Ly

(74) *Attorney, Agent, or Firm* — Cheng-Ju Chiang

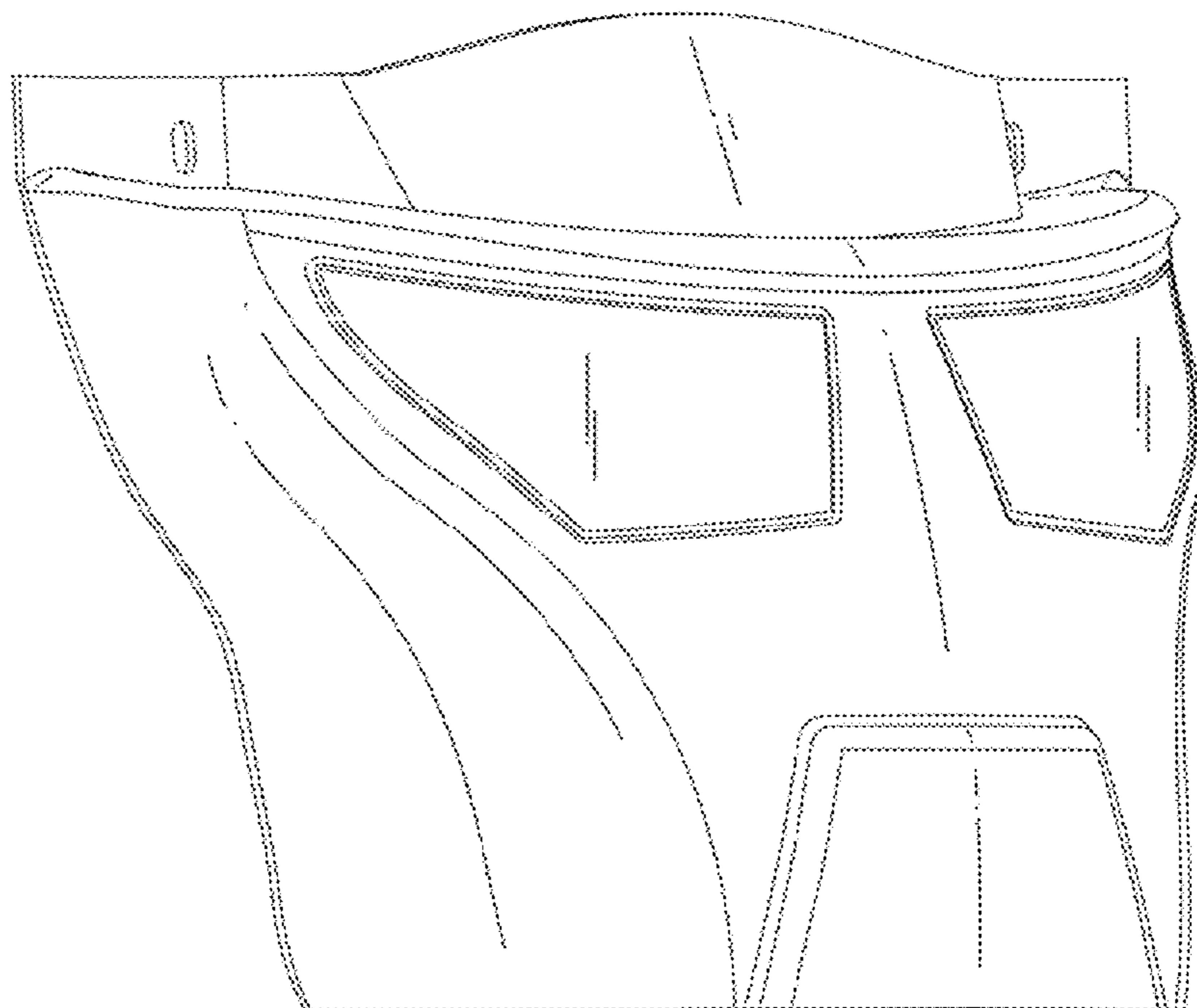
(57) **CLAIM**

The ornamental design for a vehicle bumper with light kit,  
as shown and described.

**DESCRIPTION**

FIG. 1 is a front, top and left side perspective view of a  
vehicle bumper with light kit showing my new design;  
FIG. 2 is a front elevational view thereof;  
FIG. 3 is a right side elevational view thereof;  
FIG. 4 is a left side elevational view thereof;  
FIG. 5 is a top plan view thereof; and,  
FIG. 6 is a bottom plan view thereof.  
The broken lines in the drawings illustrate portions of the  
vehicle bumper with light kit that form no part of the  
claimed design.

**1 Claim, 6 Drawing Sheets**



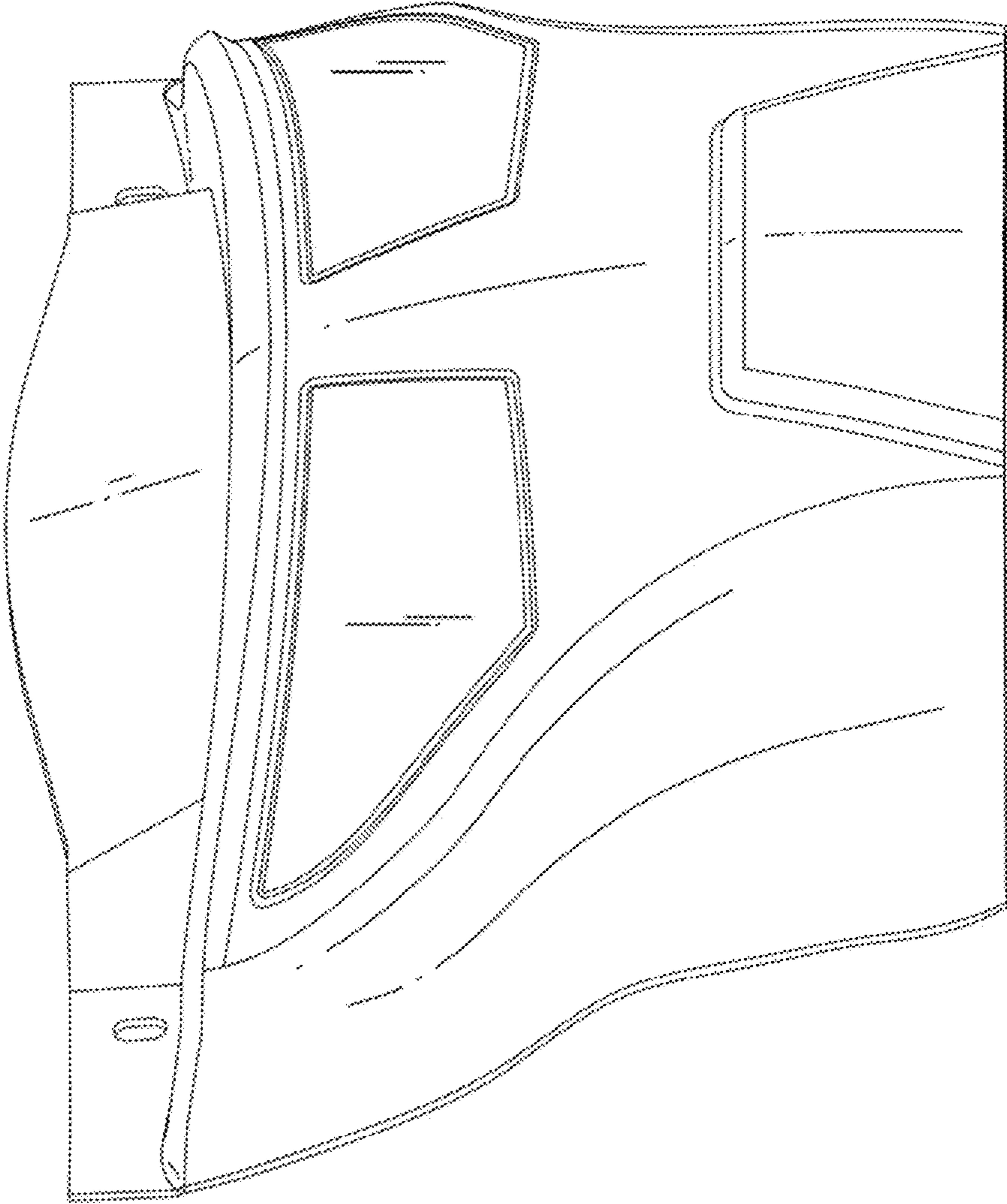


FIG. 1

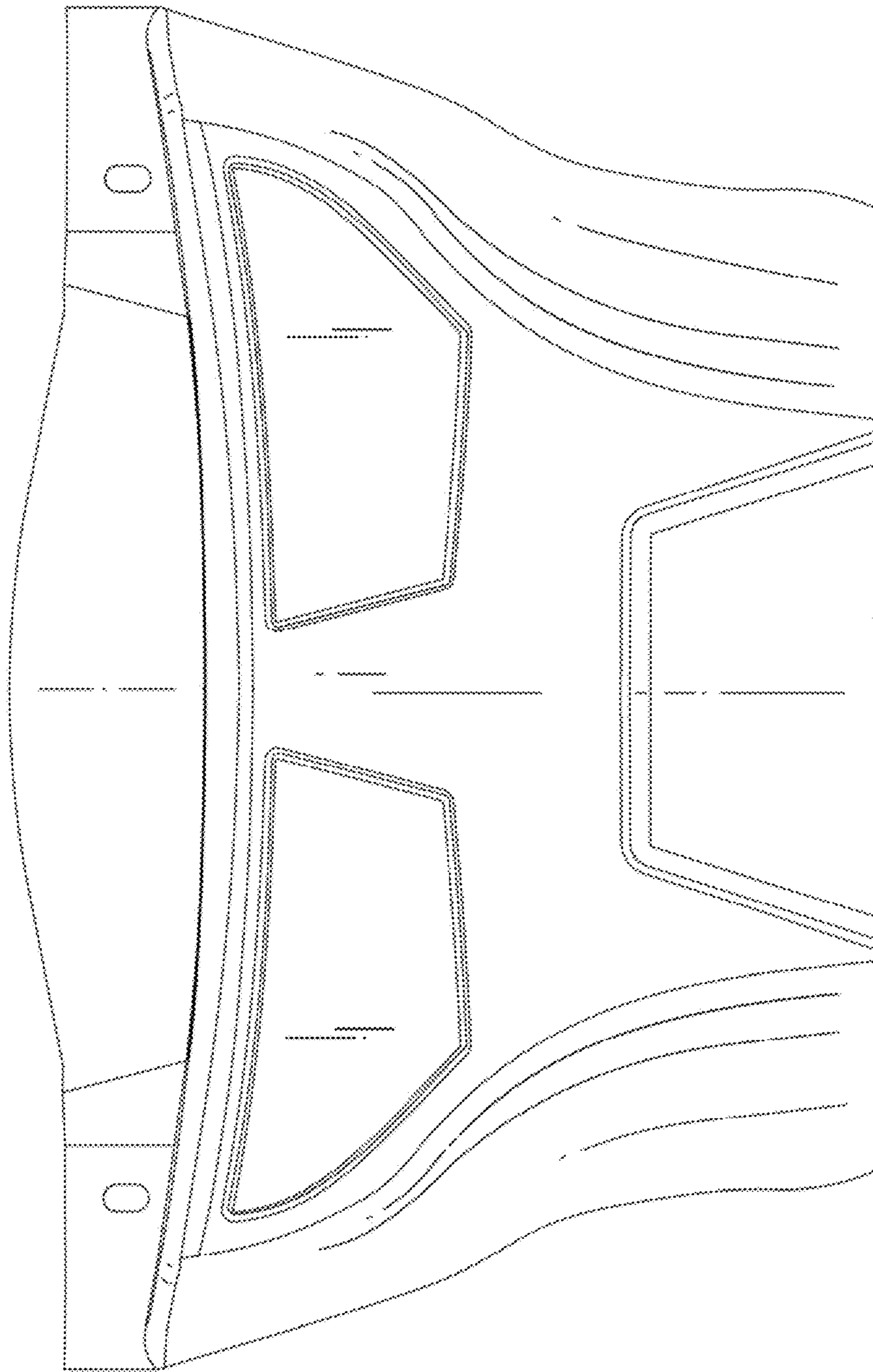


FIG. 2

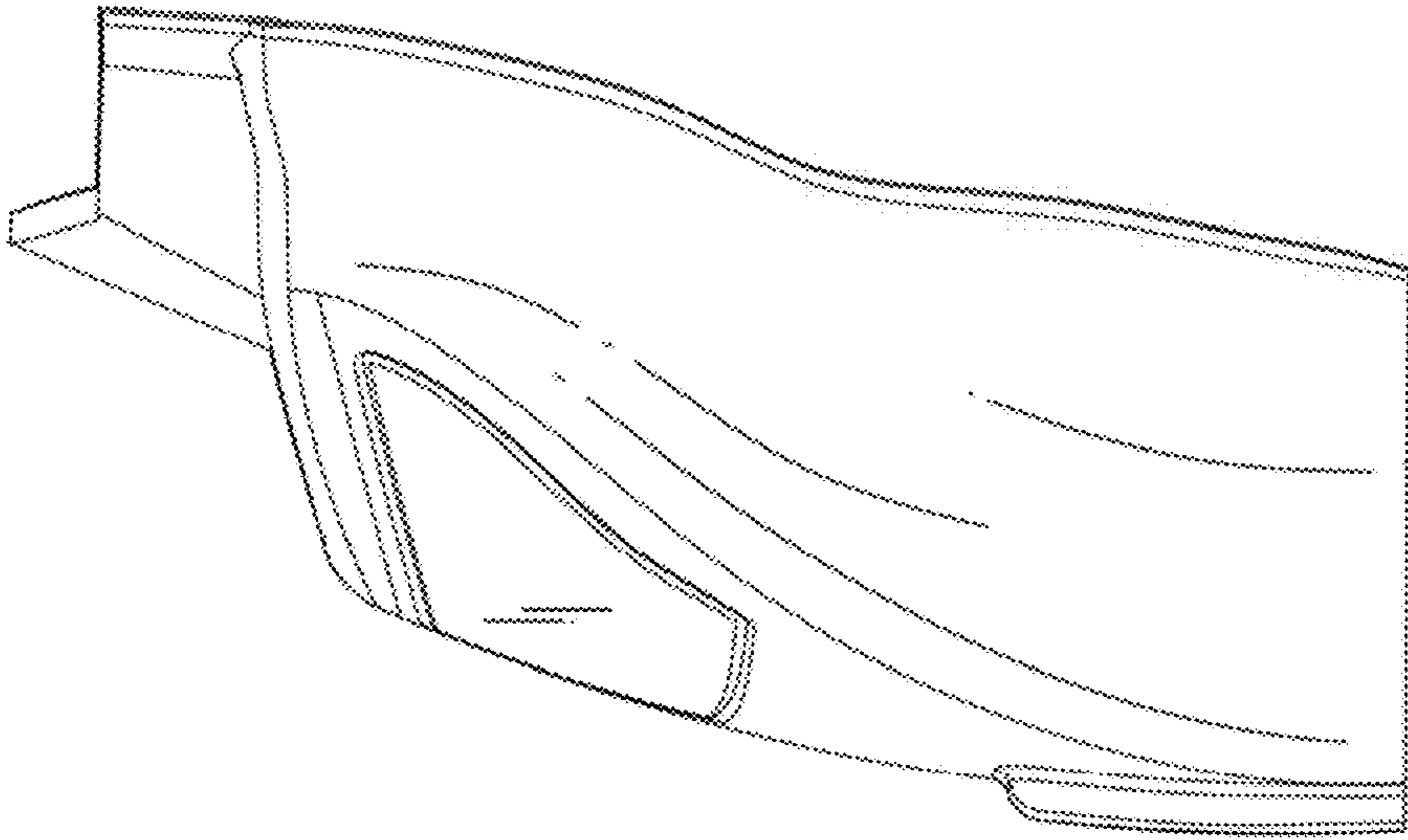


FIG. 3



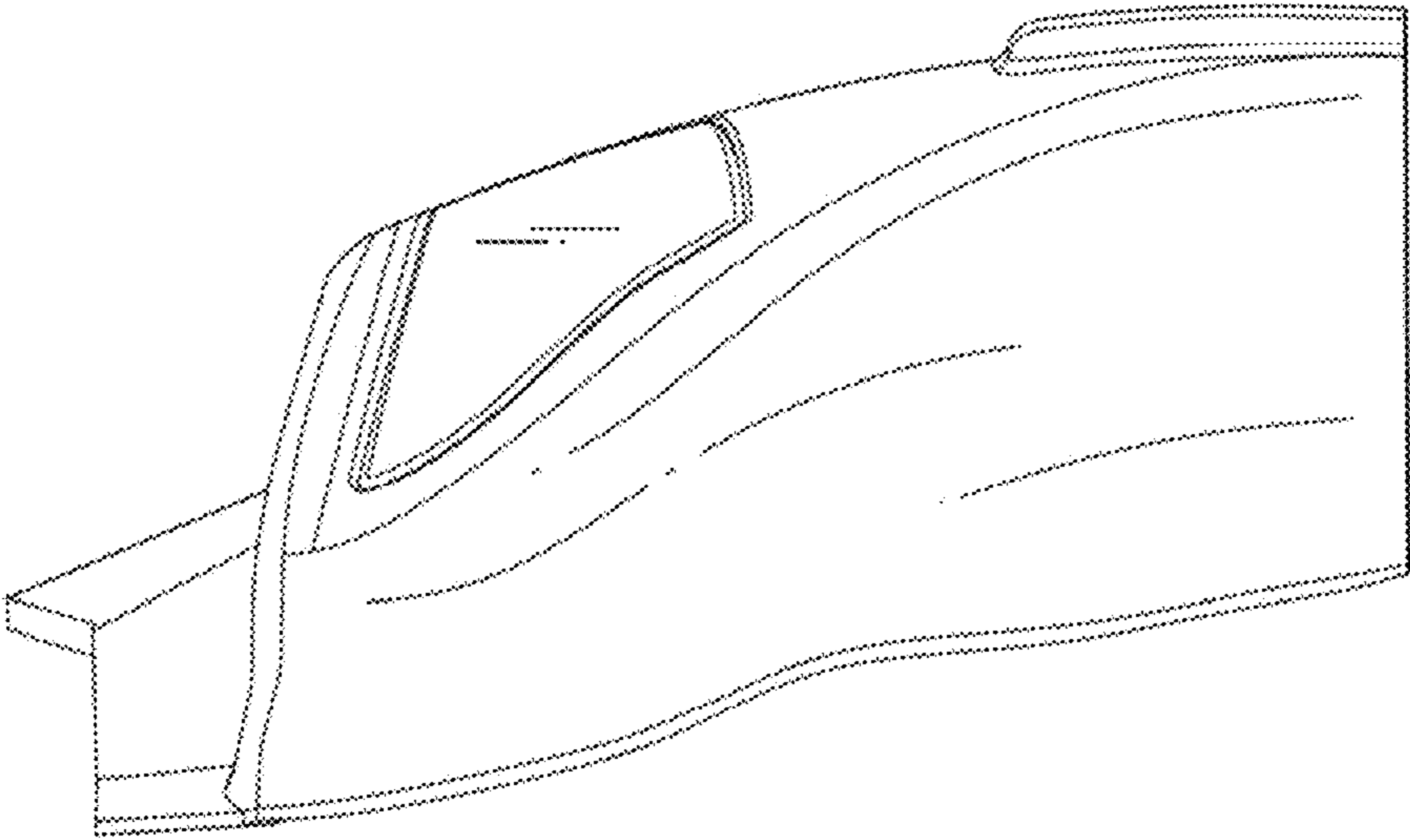


FIG. 4

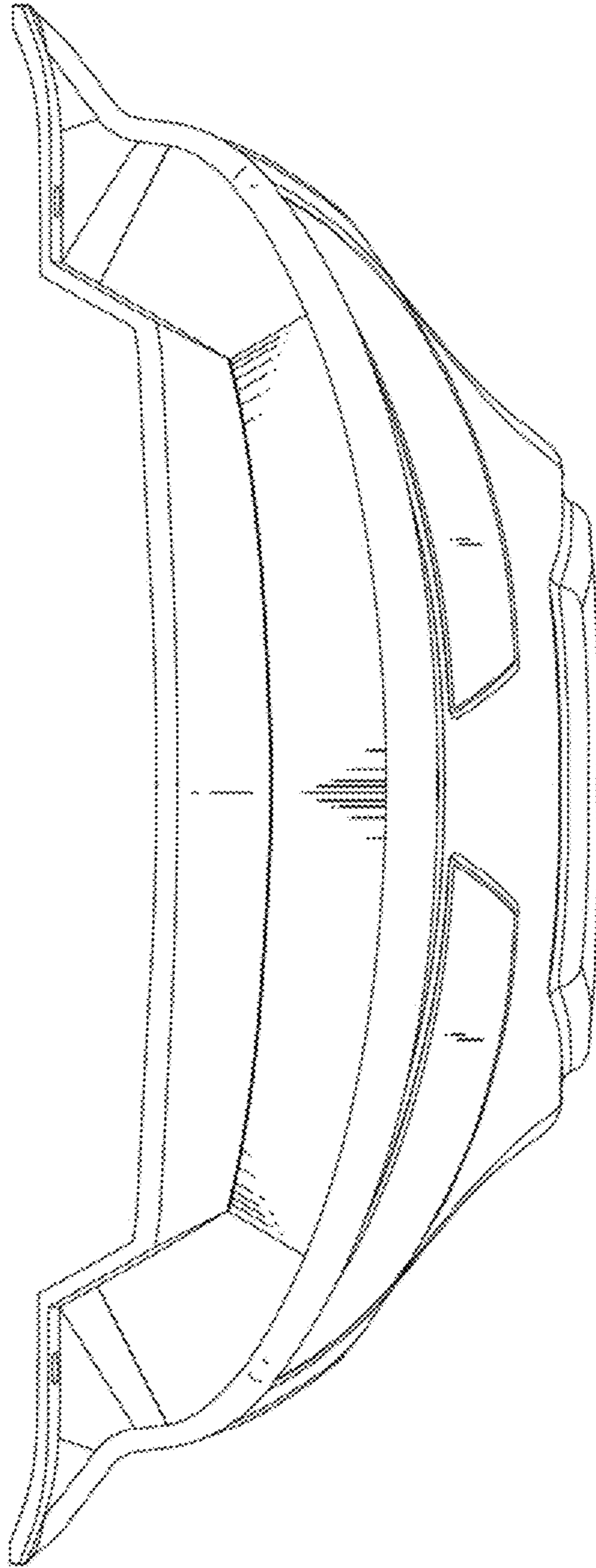


FIG. 5

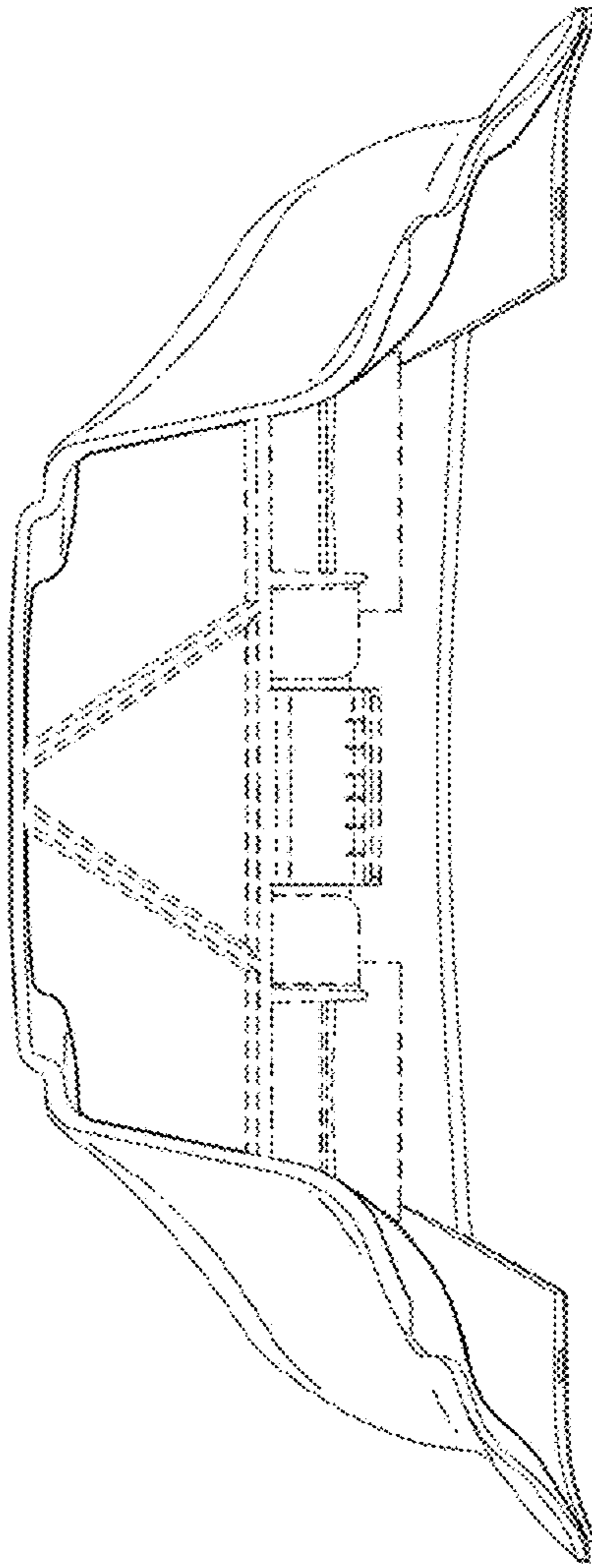


FIG. 6