



US00D805009S

(12) **United States Design Patent**  
**Eck et al.**

(10) **Patent No.:** **US D805,009 S**

(45) **Date of Patent:** **\*\* Dec. 12, 2017**

- (54) **OFF-ROAD VEHICLE FRONT FASCIA**
- (71) Applicant: **BOMBARDIER RECREATIONAL PRODUCTS INC., Valcourt (CA)**
- (72) Inventors: **Richard Eck, Bromont (CA); Matt Tandrup, Bromont (CA); Alexei Mikhailov, Bromont (CA)**
- (73) Assignee: **BOMBARDIER RECREATIONAL PRODUCTS INC., Valcourt (CA)**
- (\*\*) Term: **15 Years**
- (21) Appl. No.: **29/574,149**
- (22) Filed: **Aug. 12, 2016**
- (51) **LOC (10) Cl.** ..... **12-16**
- (52) **U.S. Cl.**  
USPC ..... **D12/171**
- (58) **Field of Classification Search**  
USPC ..... D12/86, 90, 91, 92, 163, 164, 169, 171, D12/196, 216  
CPC ..... B62D 25/02; B62D 25/08; B62D 25/087; B62D 25/24  
See application file for complete search history.

- D580,322 S \* 11/2008 Schroeder ..... D12/107
- D622,645 S 8/2010 Ichihara et al.
- D631,395 S 1/2011 Tandrup et al.
- D631,791 S 2/2011 Sanschagrin
- D631,792 S 2/2011 Sanschagrin
- D631,793 S 2/2011 Sanschagrin
- D631,794 S 2/2011 Sanschagrin
- D633,006 S 2/2011 Sanschagrin et al.
- D642,099 S \* 7/2011 Nagao ..... D12/171
- D655,236 S 3/2012 Sanschagrin
- D656,457 S 3/2012 Crepeau
- D691,074 S \* 10/2013 Dugardin ..... D12/171
- D709,798 S 7/2014 Matsumura
- D712,311 S \* 9/2014 Morgan ..... D12/87
- D716,201 S \* 10/2014 Ewing ..... D12/171
- D717,695 S 11/2014 Matsumura
- D719,061 S 12/2014 Tandrup et al.
- D722,927 S \* 2/2015 Schroeder ..... D12/171
- D724,505 S \* 3/2015 Schroeder ..... D12/171

(Continued)

*Primary Examiner* — Darlington Ly

(74) *Attorney, Agent, or Firm* — BCF LLP

(57) **CLAIM**

The ornamental design for an off-road vehicle front fascia, as shown and described.

**DESCRIPTION**

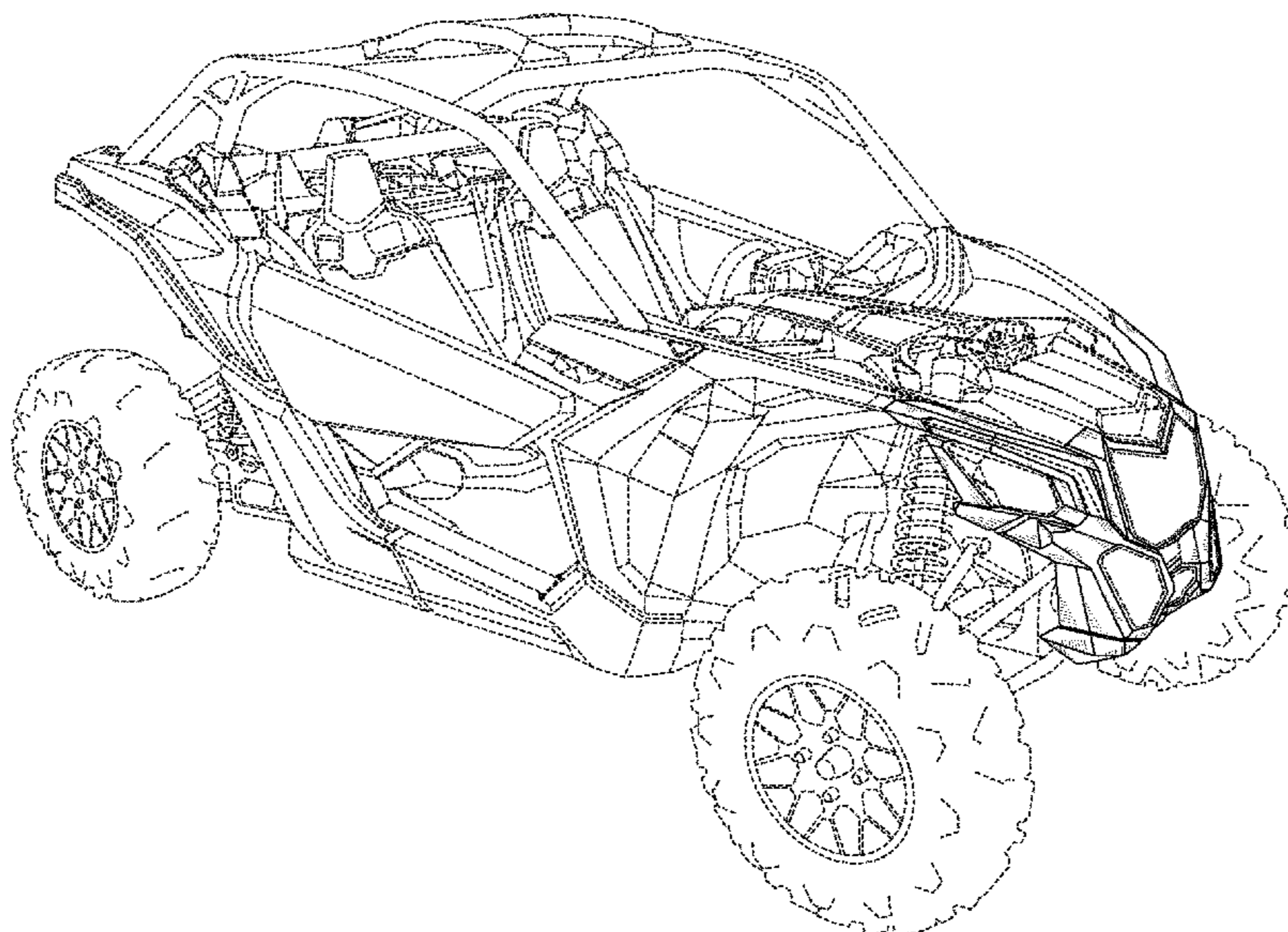
FIG. 1 is a right side elevation view of an off-road vehicle front fascia showing our new design;  
 FIG. 2 is a left side elevation view thereof;  
 FIG. 3 is a front elevation view thereof;  
 FIG. 4 is a top plan view thereof;  
 FIG. 5 is a bottom plan view thereof;  
 FIG. 6 is a front and right side perspective view thereof; and,  
 FIG. 7 is a rear and left side perspective view thereof.  
 The broken lines in the drawings illustrate environmental structure of an off-road vehicle and portions of the vehicle's front fascia that form no part of the claimed design.

**1 Claim, 7 Drawing Sheets**

(56) **References Cited**

U.S. PATENT DOCUMENTS

- D420,962 S \* 2/2000 Chevalier ..... D12/171
- D425,462 S \* 5/2000 Ujiie ..... D12/171
- D439,548 S 3/2001 Kouchi et al.
- D472,854 S \* 4/2003 Weber ..... D12/163
- D498,435 S 11/2004 Saito et al.
- D501,570 S \* 2/2005 Tandrup ..... D26/28
- D503,905 S 4/2005 Saito et al.
- D513,223 S 12/2005 Saito et al.
- D527,696 S \* 9/2006 Ichikawa ..... D12/171
- D532,348 S \* 11/2006 Kudo ..... D12/171
- D557,642 S \* 12/2007 Miwa ..... D12/171



(56)

**References Cited**

U.S. PATENT DOCUMENTS

D726,605 S *	4/2015	Schroeder .....	D12/171
D727,243 S	4/2015	Matsumura	
D727,244 S	4/2015	Hashimoto	
D727,794 S	4/2015	Tandrup et al.	
D730,239 S	5/2015	Gonzalez	
D734,689 S	7/2015	Hashimoto	
D736,118 S	8/2015	Hashimoto et al.	
D762,517 S	8/2016	Hashimoto et al.	
D762,522 S *	8/2016	Kinoshita .....	D12/87
D764,972 S	8/2016	Gonzalez	
D764,973 S	8/2016	Mikhailov et al.	
D764,974 S	8/2016	Mikhailov et al.	
D771,537 S *	11/2016	Hare .....	D12/169
D772,755 S *	11/2016	Tandrup .....	D12/14
D775,014 S *	12/2016	Higgs .....	D12/170
D777,619 S *	1/2017	Barajas .....	D12/167
D781,757 S *	3/2017	Baggett .....	D12/16
D785,504 S *	5/2017	Higgs .....	D12/91
D788,827 S *	6/2017	Okuyama .....	D15/28

\* cited by examiner

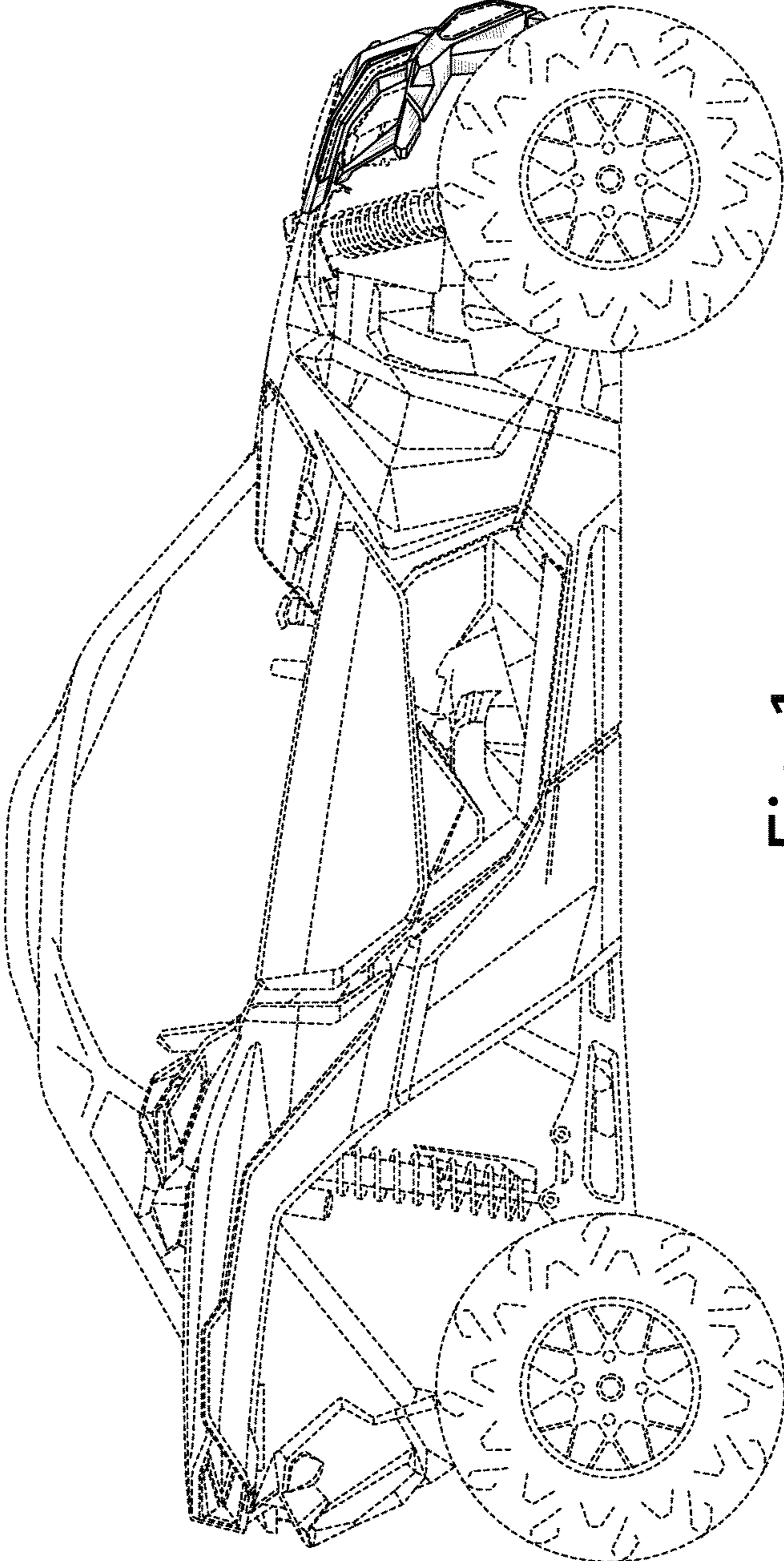


Fig.1



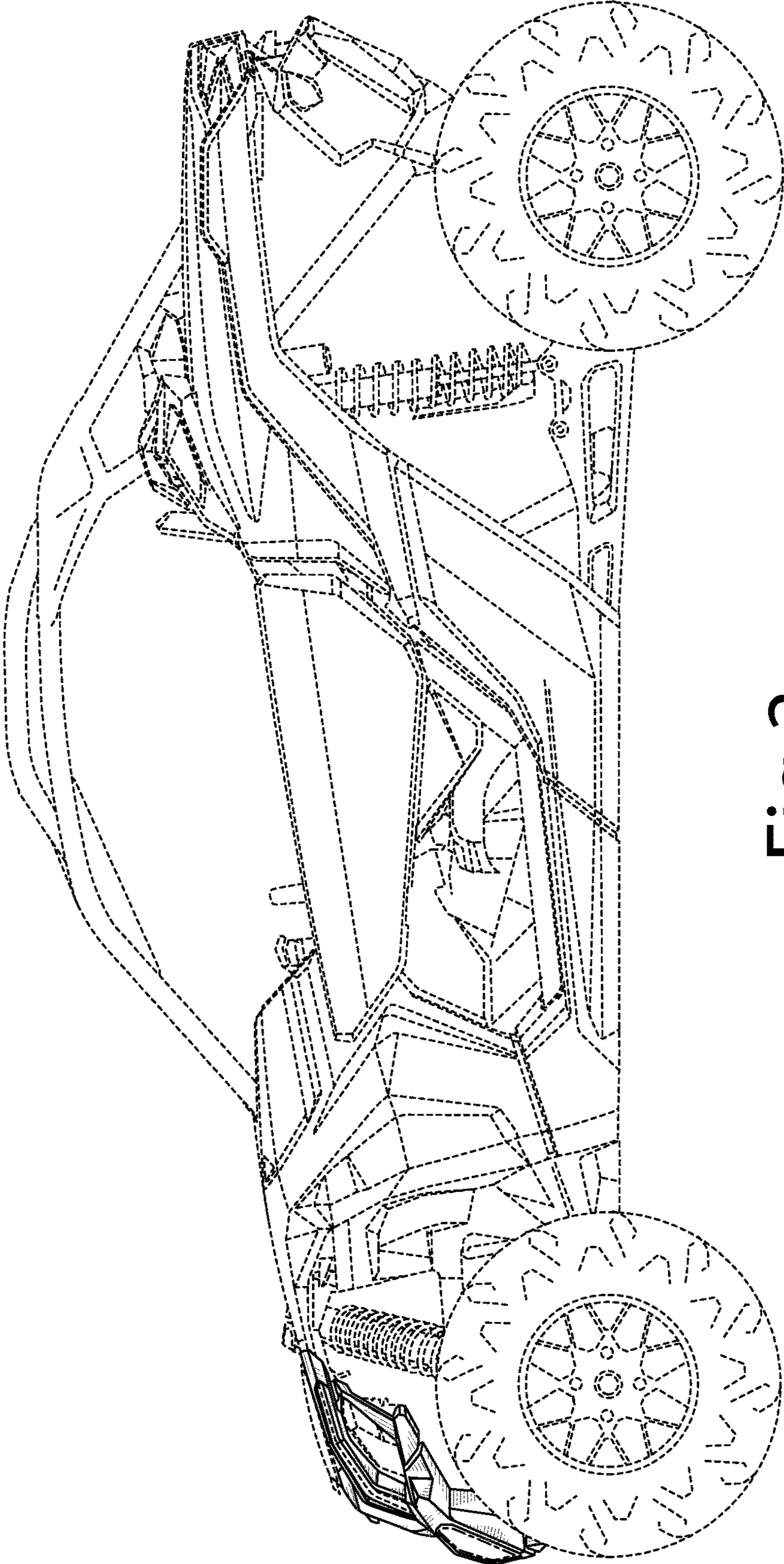


Fig. 2

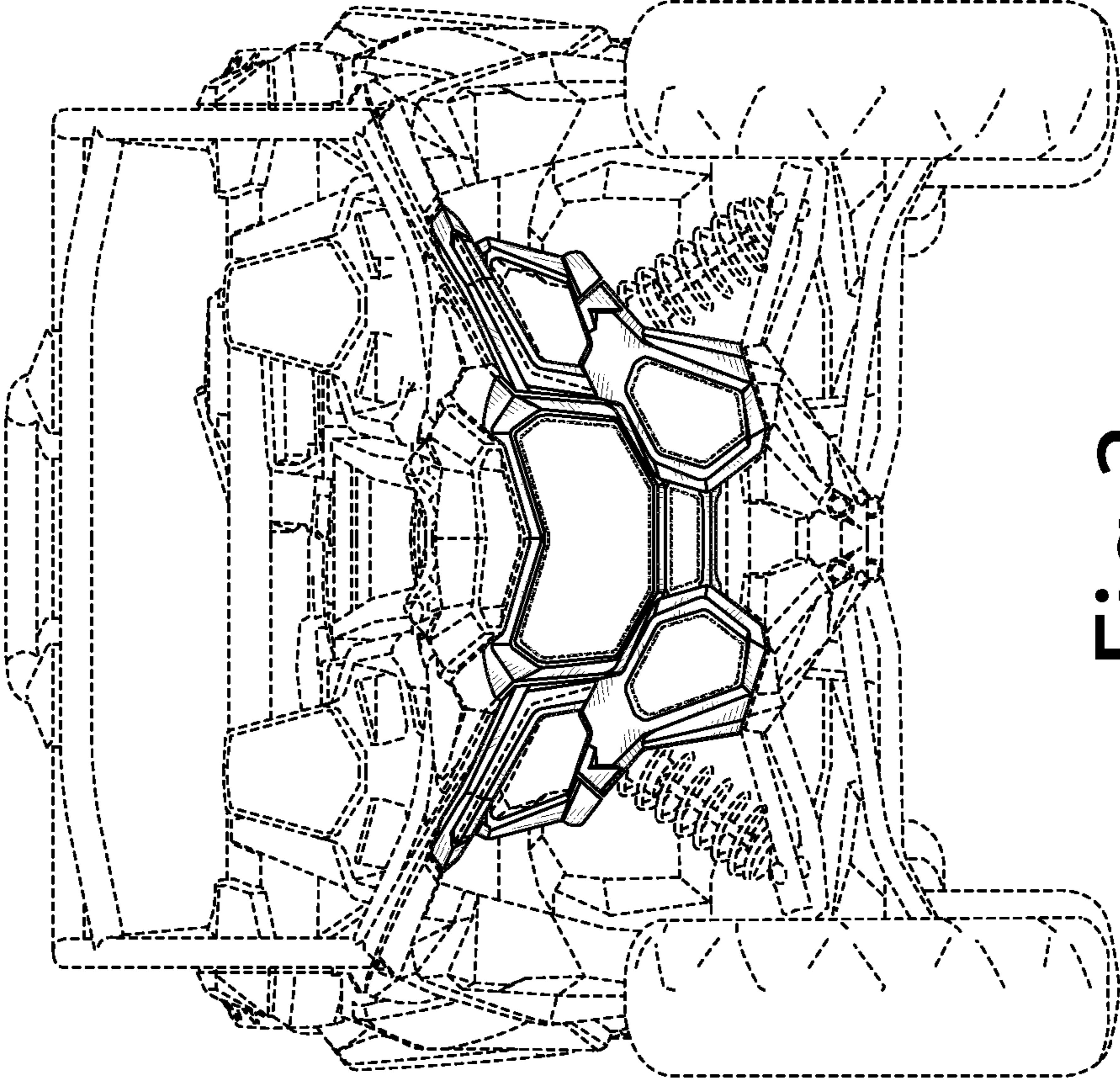


Fig.3



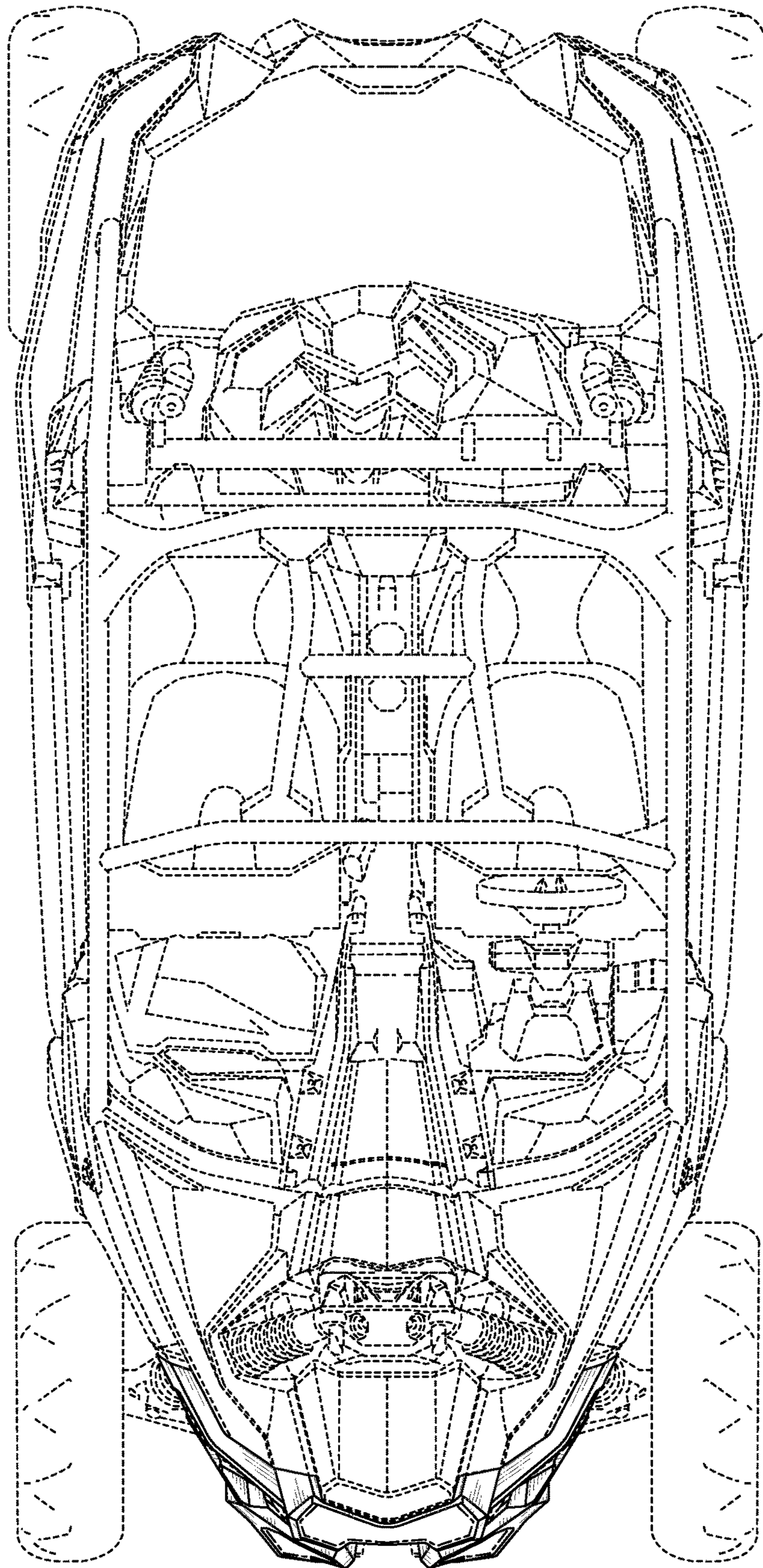


Fig.4

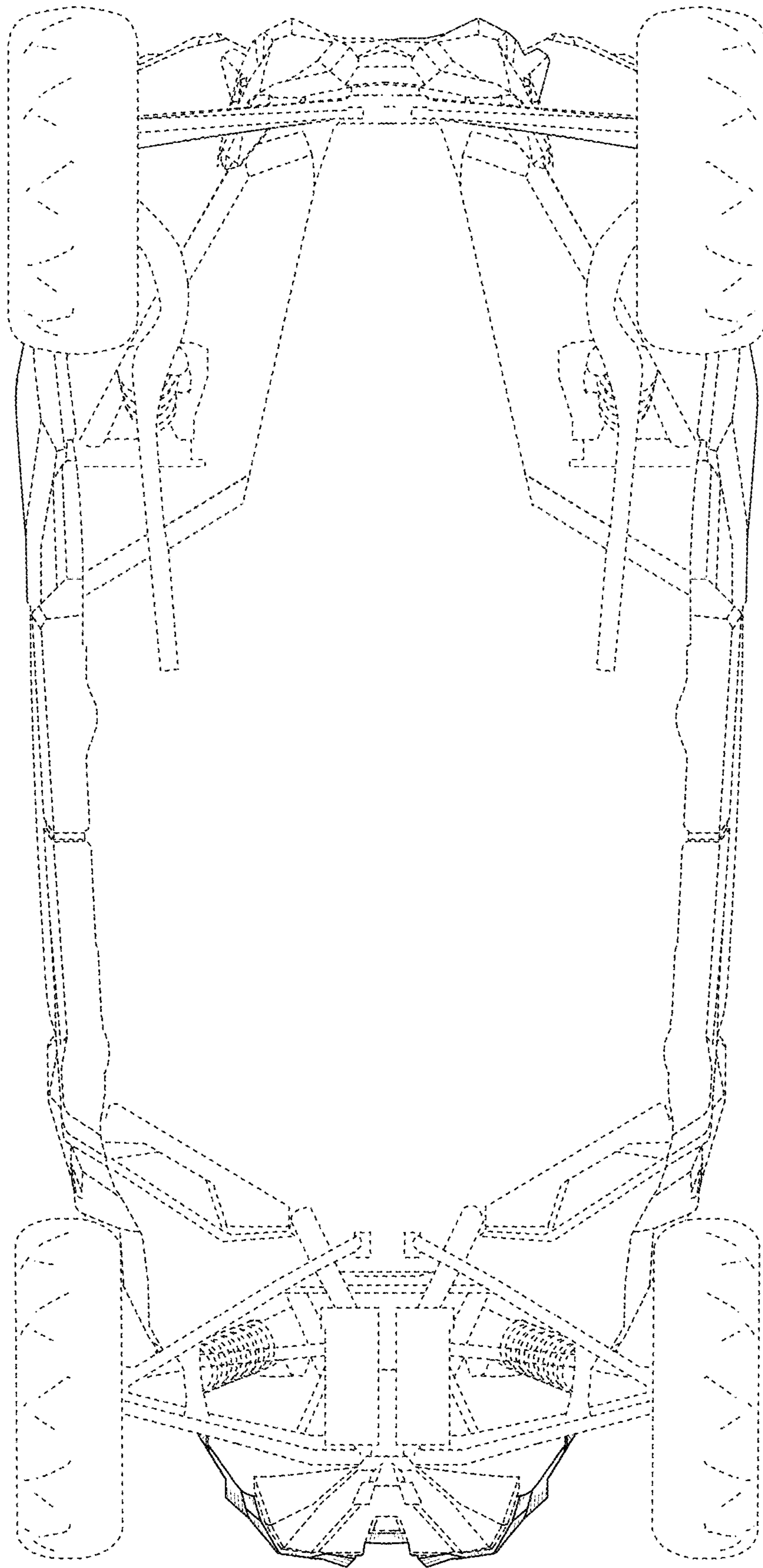


Fig. 5



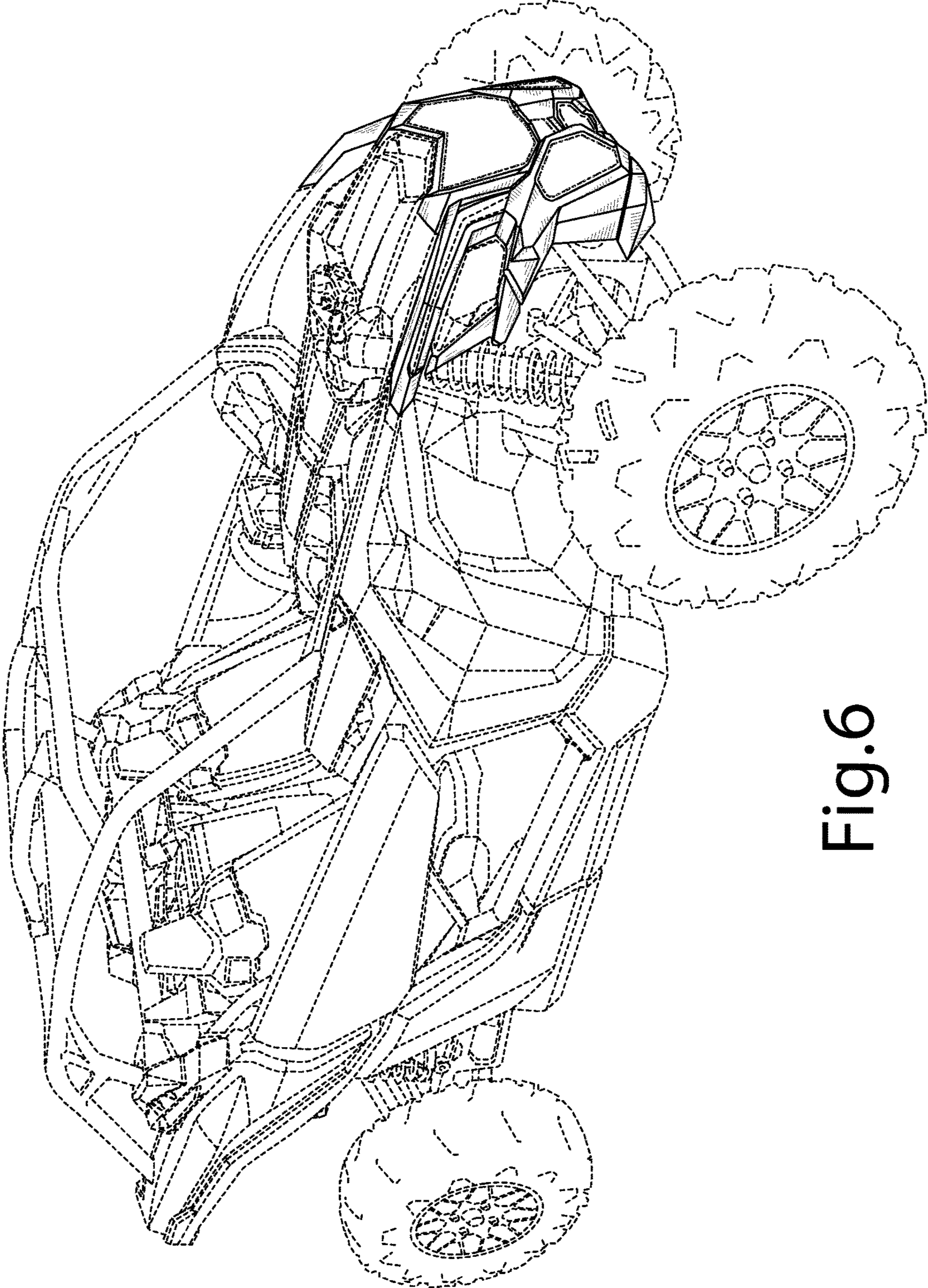


Fig.6



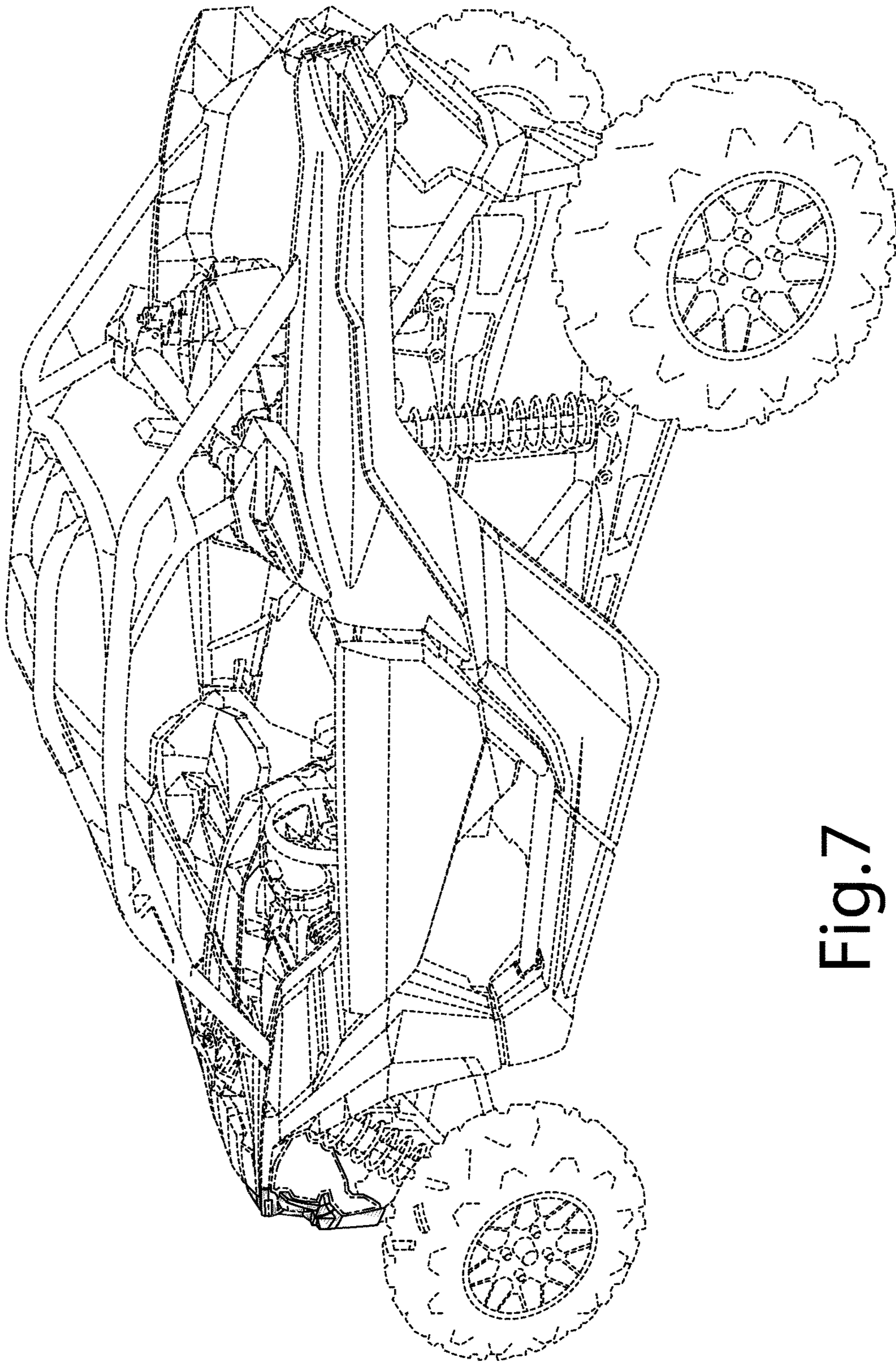


Fig.7