



US00D805004S

(12) **United States Design Patent** (10) **Patent No.:** **US D805,004 S**
Frahm (45) **Date of Patent:** **** Dec. 12, 2017**

(54) **BRAKE RELEASE HANDLE**
(71) Applicant: **Amigo Mobility International, Inc.**
(72) Inventor: **Jeffrey R Frahm**, Frankenmuth, MI (US)
(73) Assignee: **AMIGO MOBILITY INTERNATIONAL, INC.**, Bridgeport, MI (US)

2,710,659 A 6/1955 Moederle
2,782,076 A 2/1957 Miller
2,782,870 A 2/1957 Sill
2,919,756 A 1/1960 Knipe
2,947,425 A 8/1960 Nichols
2,978,053 A 4/1961 Schmidt
2,993,550 A 7/1961 Klappert
3,061,031 A 10/1962 Packard

(Continued)

(**) Term: **15 Years**

CA 1260842 9/1989
DE 93244 7/1897

(Continued)

(21) Appl. No.: **29/532,132**

FOREIGN PATENT DOCUMENTS

(22) Filed: **Jul. 1, 2015**

OTHER PUBLICATIONS

(51) **LOC (10) Cl.** **12-12**

Amigo Brochure a Revolutionary Concept in Wheelchair Design 5 pages.

(52) **U.S. Cl.**

(Continued)

USPC **D12/133**

(58) **Field of Classification Search**

USPC D12/128-133, 179

CPC . A61G 5/00-5/14; A61G 5/041-5/047; A61G

2005/048; A61B 2090/508; A61F 5/013;

A61F 5/0102; A61H 1/0281; A61H 1/02

See application file for complete search history.

Primary Examiner — Charles Hanson

(57)

CLAIM

The ornamental design for a brake release handle, shown and described.

(56) **References Cited**

DESCRIPTION

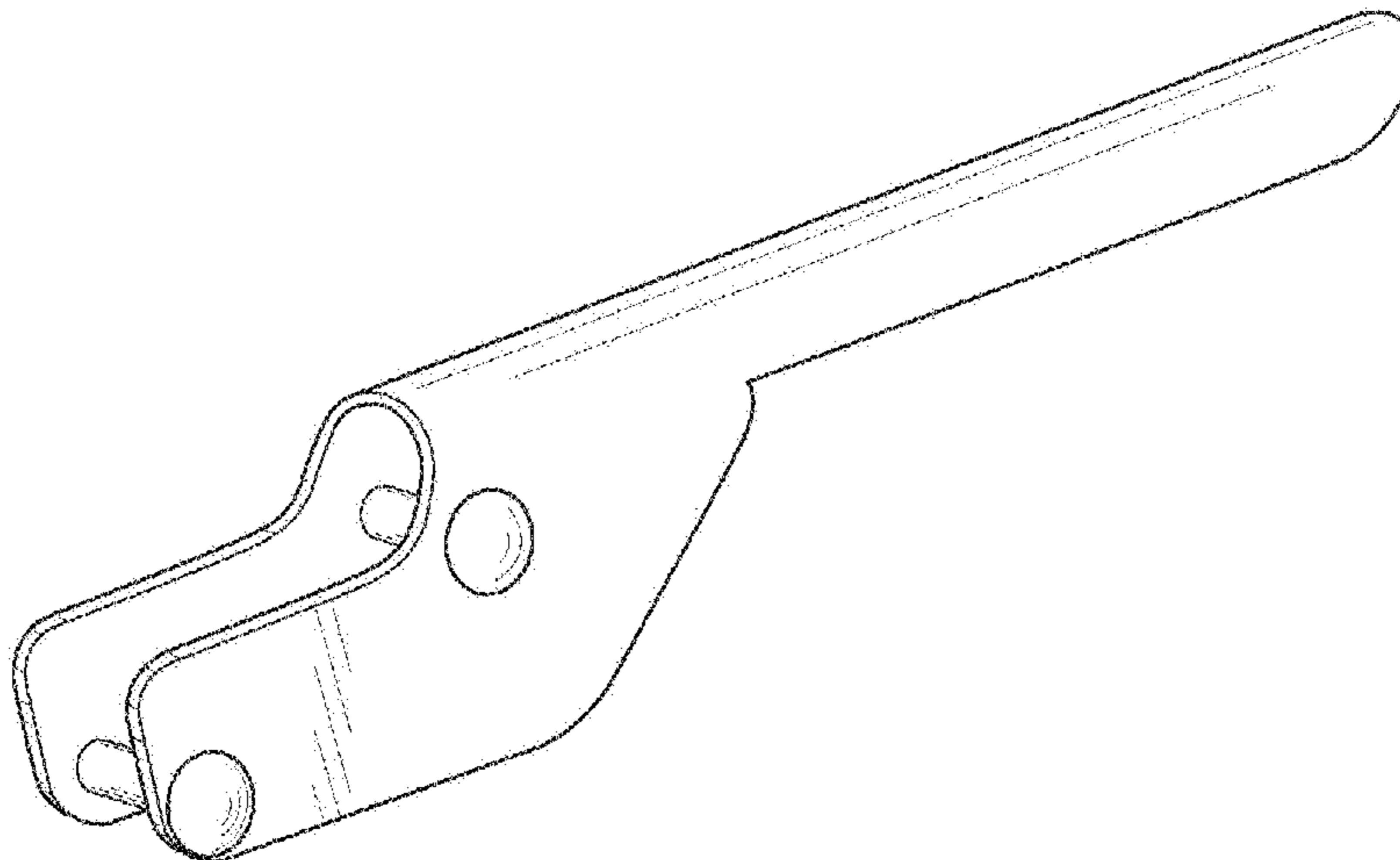
U.S. PATENT DOCUMENTS

678,122 A 7/1901 Maxham et al.
1,492,487 A 4/1924 Stokes
1,565,719 A 12/1925 Dunkley
2,281,143 A * 4/1942 Dickerson G05G 5/14
74/524

2,448,992 A 9/1948 Love et al.
2,461,401 A 2/1949 Trombley
2,468,801 A 5/1949 Beall
2,495,573 A 1/1950 Duke
2,649,309 A 6/1951 Deissner
2,629,611 A 2/1953 Covington
2,635,703 A 4/1953 Goeller
2,639,785 A 5/1953 Vickers

FIG. 1 is a perspective view of the handle on a vehicle;
FIG. 2 is a perspective view of the handle;
FIG. 3 is a top plan view of the handle;
FIG. 4 is a bottom view of the handle;
FIG. 5 is a side elevational view of the handle;
FIG. 6 is an end view of the pivoted end of the handle; and,
FIG. 7 is an end view of the lever end of the handle.
The broken line showing of the wheelchair is included for the purpose of illustrating environment and forms no part of the claimed design.

1 Claim, 3 Drawing Sheets



US D805,004 S

(56)

References Cited

		4,834,413	A *	5/1989	Patel A61G 5/10 280/250.1
U.S. PATENT DOCUMENTS					
3,078,946	A 2/1963	Young			
3,095,099	A 6/1963	Costello			
3,100,547	A 8/1963	Rosenthal			
3,108,481	A 10/1963	Westmont			
3,117,653	A 1/1964	Altherr			
3,184,258	A 5/1965	Kapusta			
3,198,923	A 8/1965	Tripp			
3,249,171	A 5/1966	Kinghom			
3,251,630	A 5/1966	Astley			
3,369,629	A 2/1968	Weiss			
3,387,681	A 6/1968	Rabjohn			
3,388,761	A 6/1968	Arpin			
3,412,820	A 11/1968	Wachholz			
3,486,397	A * 12/1969	Rest F16C 1/18 74/501.6			
3,544,069	A * 12/1970	Grego B66D 3/18 254/269			
D220,835	S 6/1971	Thieme			
3,605,929	A 9/1971	Rolland			
3,656,637	A 4/1972	Lynn et al.			
3,794,132	A 2/1974	Moon			
3,883,126	A 5/1975	Nicholls			
3,889,773	A 6/1975	Chant			
3,905,437	A 9/1975	Kaiho et al.			
3,910,432	A 10/1975	Browne et al.			
3,912,032	A 10/1975	Benz et al.			
3,912,137	A 10/1975	Benz			
3,921,744	A 11/1975	Benoit et al.			
3,921,774	A 11/1975	Benoit et al.			
3,930,551	A 1/1976	Cragg			
3,939,931	A 2/1976	Benz			
3,957,164	A 5/1976	Brown			
3,979,137	A 9/1976	Lipscomb, Jr. et al.			
3,982,648	A 9/1976	Luedtke et al.			
D241,929	S 10/1976	Cosper			
4,010,499	A 3/1977	Davis et al.			
4,019,602	A 4/1977	Habiger			
4,039,093	A 8/1977	Schmitz et al.			
4,073,345	A 2/1978	Miller			
4,091,488	A 5/1978	Artzberger			
4,127,200	A 11/1978	Mann			
4,147,373	A 4/1979	Cully			
4,162,711	A 7/1979	Cornelius			
4,204,588	A 5/1980	Kawecki			
4,245,947	A 1/1981	Clement			
4,265,147	A 5/1981	Fox			
4,281,958	A 8/1981	Molski			
4,284,286	A 8/1981	Lewallen			
4,320,818	A 3/1982	Knoche			
4,350,227	A 9/1982	Knoche			
D266,499	S 10/1982	Twitchell et al.			
4,391,379	A 7/1983	Paffrath			
D269,960	S 8/1983	Cosper			
4,398,585	A 8/1983	Paffrath			
4,403,673	A 9/1983	Ball			
4,452,327	A 6/1984	Mowat			
D276,904	S 12/1984	Shepard			
4,503,925	A 3/1985	Palmer et al.			
4,504,094	A 3/1985	Burrows			
4,512,613	A 4/1985	Nassiri			
4,522,320	A 6/1985	Hannappel			
4,570,739	A 2/1986	Kramer			
D283,211	S 4/1986	Palmer et al.			
4,595,214	A 6/1986	Downing			
D285,187	S 8/1986	Piziks et al.			
D285,671	S 9/1986	Thieme et al.			
4,623,163	A 11/1986	Potts			
4,633,962	A 1/1987	Cox et al.			
4,666,008	A 5/1987	Shepard			
4,729,447	A 3/1988	Morse			
4,750,578	A 6/1988	Brandenfels			
4,752,539	A 6/1988	Vatter			
4,756,978	A 7/1988	Nitcher et al.			
4,772,037	A 9/1988	Jones			
4,798,255	A 1/1989	Wu			
4,846,295	A 7/1989	Shepard et al.			
D303,101	S 8/1989	Shepard et al.			
4,886,294	A 12/1989	Nahachewski			
4,887,685	A 12/1989	Shepard et al.			
4,892,166	A 1/1990	Gaffney			
4,944,359	A 7/1990	Doman et al.			
4,947,955	A 8/1990	Hopely, Jr.			
4,953,645	A 9/1990	Korber et al.			
5,020,624	A 6/1991	Nesterick et al.			
5,071,150	A 12/1991	Conrad			
5,074,372	A 12/1991	Schepis			
5,090,513	A 2/1992	Bussinger			
5,090,517	A 2/1992	Doughty			
5,121,806	A 6/1992	Johnson			
5,154,251	A 10/1992	Fought			
5,161,630	A 11/1992	Garin, III et al.			
5,181,733	A 1/1993	Tague			
5,207,439	A 5/1993	Mortenson			
5,238,082	A 8/1993	Stegema et al.			
5,316,328	A 5/1994	Bussinger			
5,322,140	A 6/1994	Bussinger			
5,333,702	A 8/1994	Gaffney et al.			
5,388,659	A 2/1995	Pepe			
5,394,968	A 3/1995	Yu-Shu			
5,452,775	A 9/1995	Bussinger			
D365,675	S * 1/1996	Macmillan D12/133			
5,497,844	A 3/1996	Fritzinger			
D380,720	S * 7/1997	Anderson D12/179			
5,695,021	A 12/1997	Schaffner et al.			
5,714,815	A 2/1998	Fritzinger et al.			
D418,467	S * 1/2000	Panasewicz D12/179			
6,053,069	A * 4/2000	Stroer G05G 1/04 74/523			
6,056,077	A 5/2000	Kobayashi			
6,170,592	B1 1/2001	Wu			
6,176,337	B1 1/2001	McConnell et al.			
D445,385	S * 7/2001	Hallgrimsson D12/179			
6,273,206	B1 8/2001	Bussinger			
6,298,749	B1 * 10/2001	Stroer G05G 1/04 74/524			
6,523,661	B1 2/2003	Bussinger			
6,834,734	B2 12/2004	Wu			
7,023,177	B1 4/2006	Bussinger			
7,451,848	B2 11/2008	Flowers et al.			
7,665,754	B2 * 2/2010	Mitchell A61G 5/022 280/250.1			
7,841,436	B2 11/2010	Bussinger			
7,926,606	B2 4/2011	Wang			
8,776,932	B1 7/2014	Bussinger et al.			
2004/0256164	A1 12/2004	Huang			
2009/0020350	A1 1/2009	Wu			
2013/0062846	A1 3/2013	Hsiao			
FOREIGN PATENT DOCUMENTS					
DE		3133636		3/1983	
EP		3204040		12/1986	
EP		338689		10/1989	
FR		1540324		8/1968	
GB		757275		9/1956	
GB		1149505		4/1966	
GB		1087225		10/1967	
GB		1383457		2/1975	
GB		1401961		8/1975	
GB		1427838		3/1976	
GB		1569967		6/1980	
IT		537091		12/1955	
WO		9006097		6/1990	
OTHER PUBLICATIONS					
Health Aid Services, Inc. A-Bee Scoota pamphlet 2 pages.					
E.F. Brewer Company Portascot pamphlet 2 pages.					
E.F. Brewer Company Portascot The Alternative pamphlet 4 pages.					
Voyager Inc. Voyager II 5 pages.					
Voyager Inc. Voyager IV 4 pages.					

(56)

References Cited

OTHER PUBLICATIONS

Voyager Inc. Voyager VI 4 pages.
New Equipment Digest, Jun. 1973, p. 19, Compact Electric Cart, top
of page.

* cited by examiner



FIG. 1

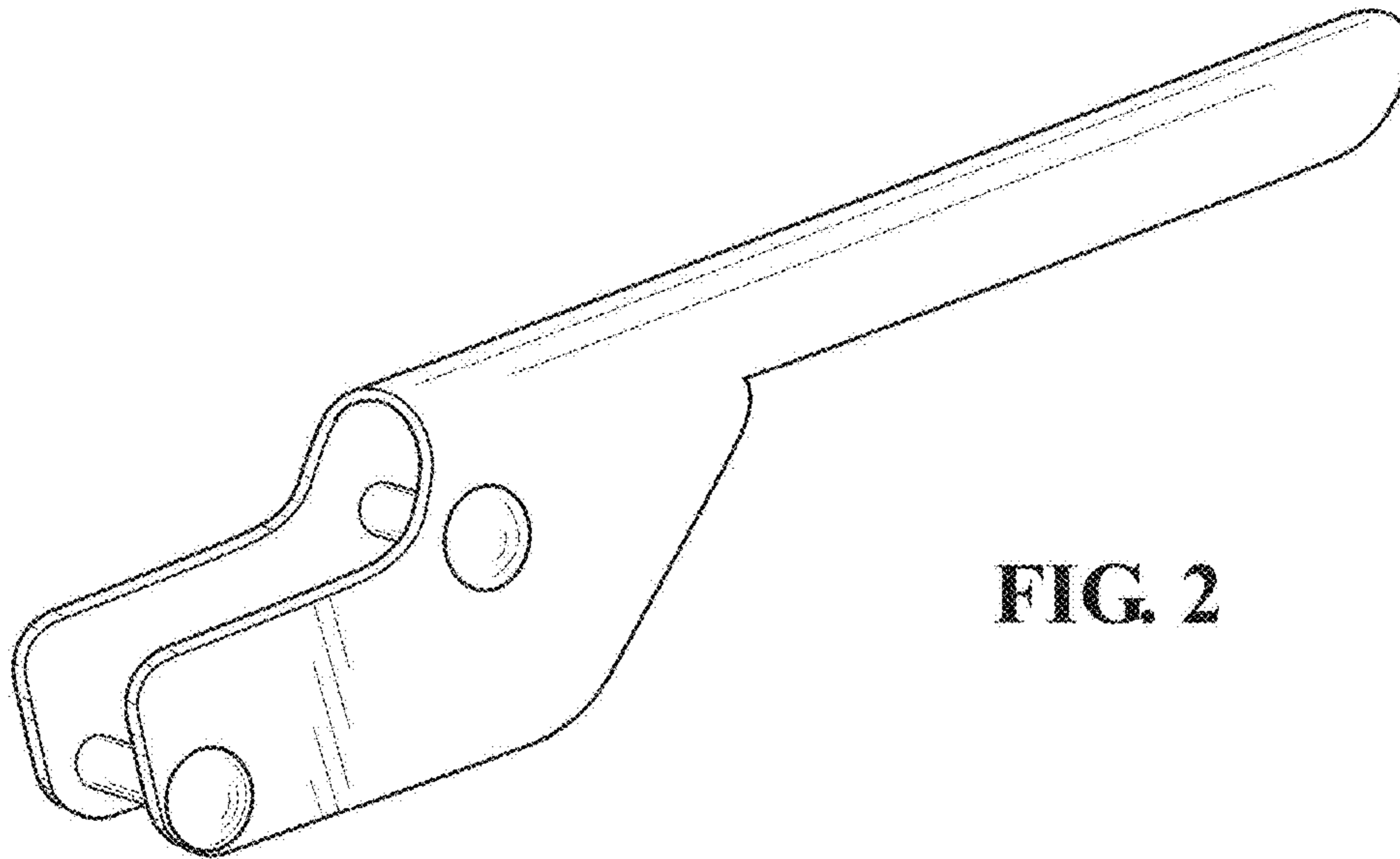


FIG. 2

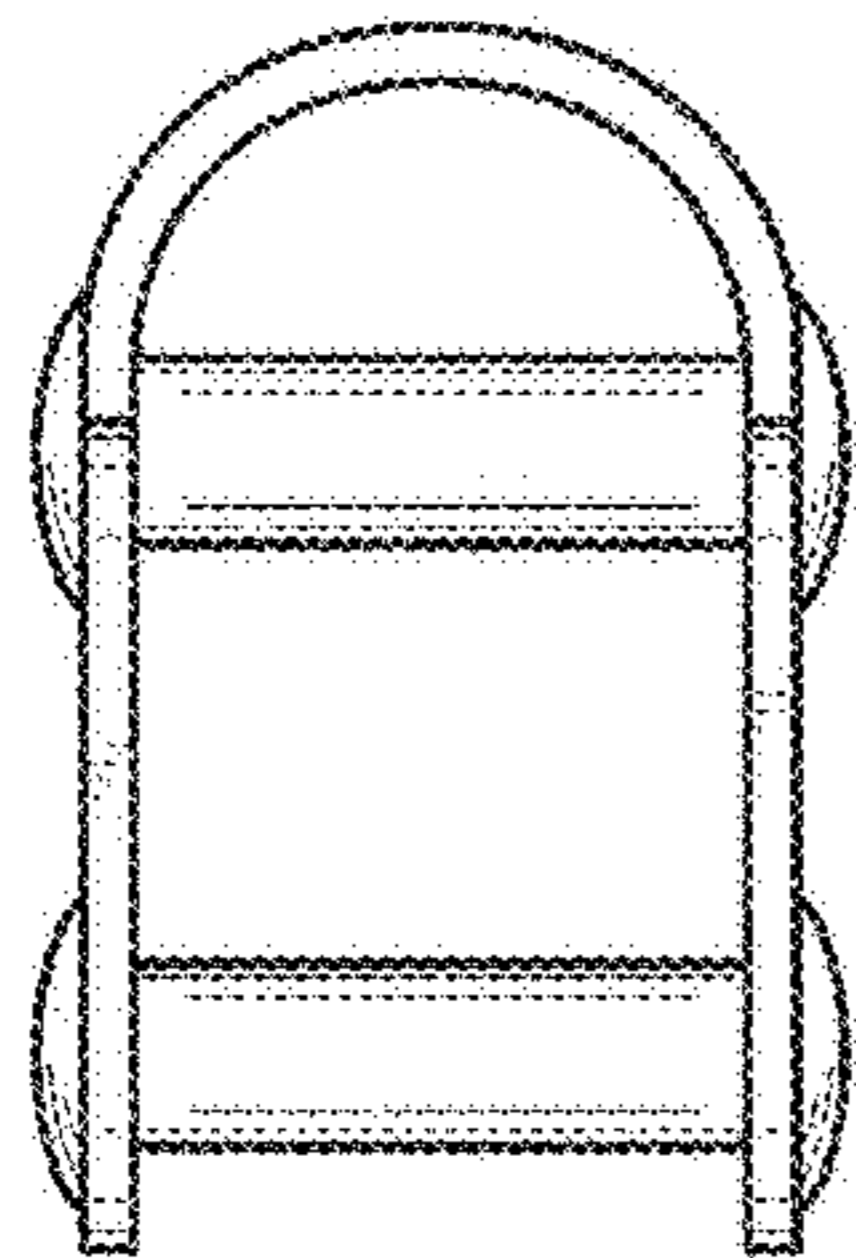


FIG. 6

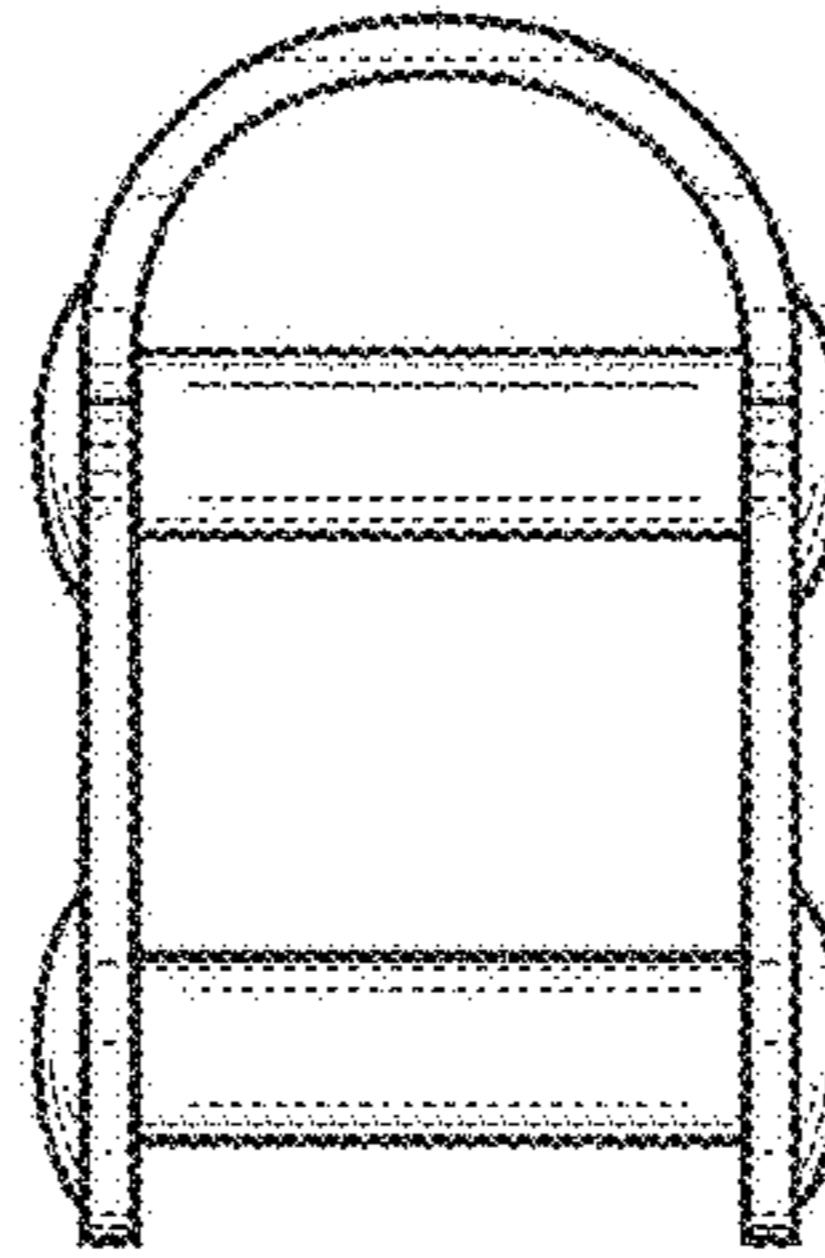


FIG. 7

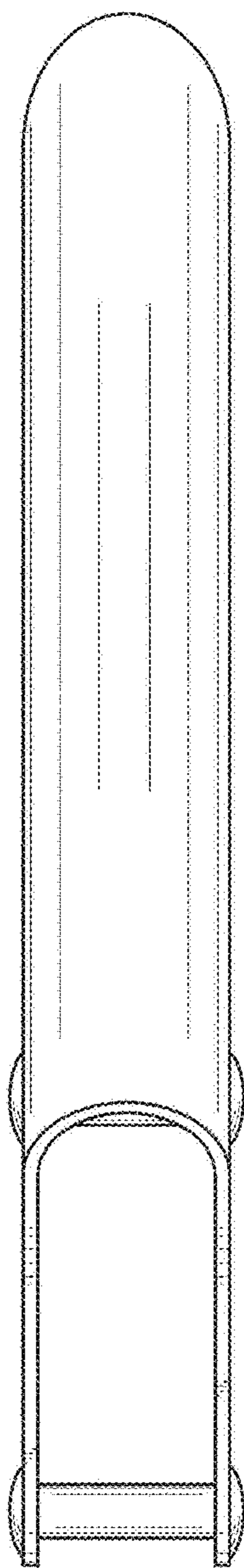


FIG. 3

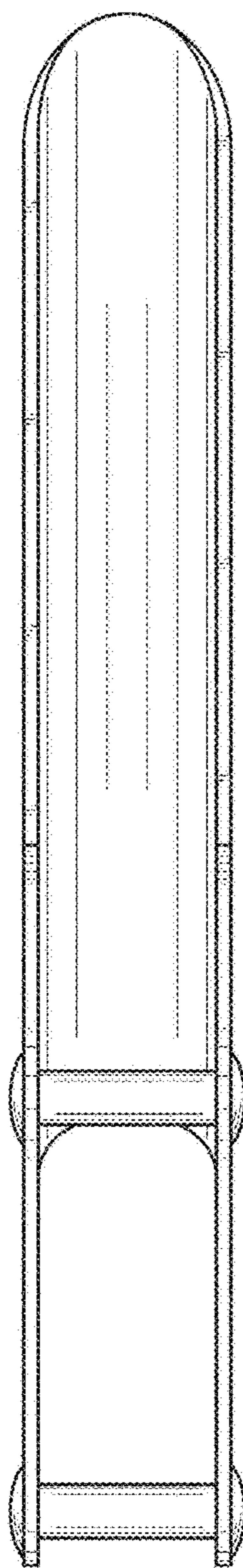


FIG. 4

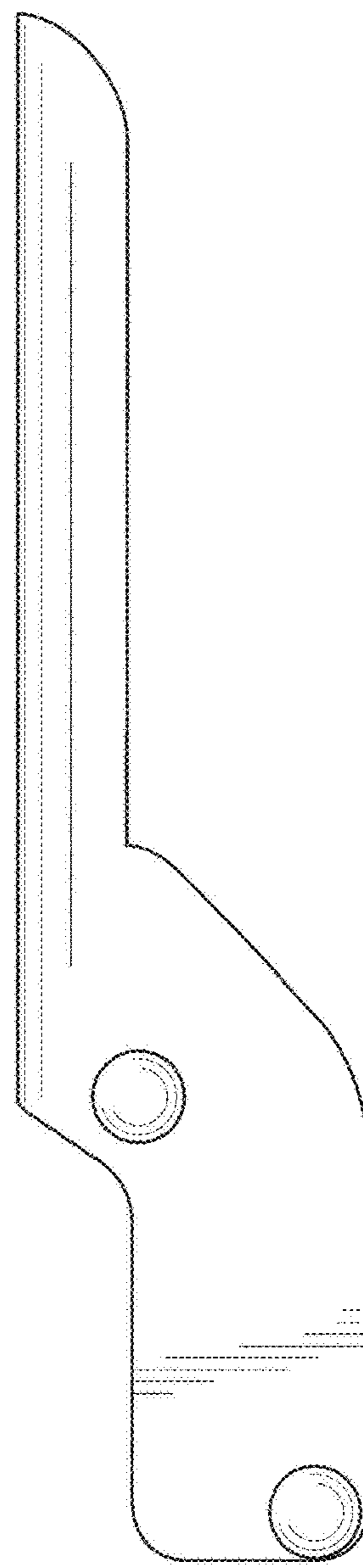


FIG. 5