



US00D805003S

(12) **United States Design Patent**
Wieland et al.

(10) **Patent No.:** **US D805,003 S**

(45) **Date of Patent:** **** Dec. 12, 2017**

(54) **RECLINER CHAIR**

(71) Applicant: **Sauder Manufacturing Co.**, Archbold, OH (US)

(72) Inventors: **Blair Wieland**, Fort Wayne, IN (US);
Joel D. Alberda, Leo, IN (US)

(73) Assignee: **Sauder Manufacturing Co.**, Archbold, OH (US)

(**) Term: **15 Years**

(21) Appl. No.: **29/529,592**

(22) Filed: **Jun. 9, 2015**

(51) **LOC (10) Cl.** **12-12**

(52) **U.S. Cl.**
USPC **D12/131; D6/367**

(58) **Field of Classification Search**
USPC D12/128–133; D6/334, 335, 367
CPC A47C 1/0352; A47C 1/0355; A47C 7/50;
A47C 7/506; A61G 5/00–5/14
See application file for complete search history.

(56) **References Cited**

U.S. PATENT DOCUMENTS

D315,123 S *	3/1991	Spiegel	D12/131
D358,789 S *	5/1995	Wheeler	D12/128
D364,971 S *	12/1995	Sterlacci	D12/128
D462,845 S *	9/2002	Canto Garcia	D6/335
D601,360 S *	10/2009	Tierney	D6/367
D602,704 S *	10/2009	Tierney	D6/367
D611,718 S *	3/2010	Tierney	D12/128
D653,591 S *	2/2012	Horvath	D12/128
D657,967 S *	4/2012	Spoelhof	D6/334
D677,919 S *	3/2013	Voyce, IV	D6/367
D680,771 S *	4/2013	Spoelhof	D6/381
D697,733 S *	1/2014	Voyce, IV	D6/367
D734,220 S *	7/2015	Saotome	D12/128

D742,285 S *	11/2015	Cooper	D12/131
D770,947 S *	11/2016	Zollars	D12/133
D784,208 S *	4/2017	Zollars	D12/128
D784,210 S *	4/2017	Marini	D12/133

* cited by examiner

Primary Examiner — Charles Hanson

(74) *Attorney, Agent, or Firm* — McGarry Bair PC

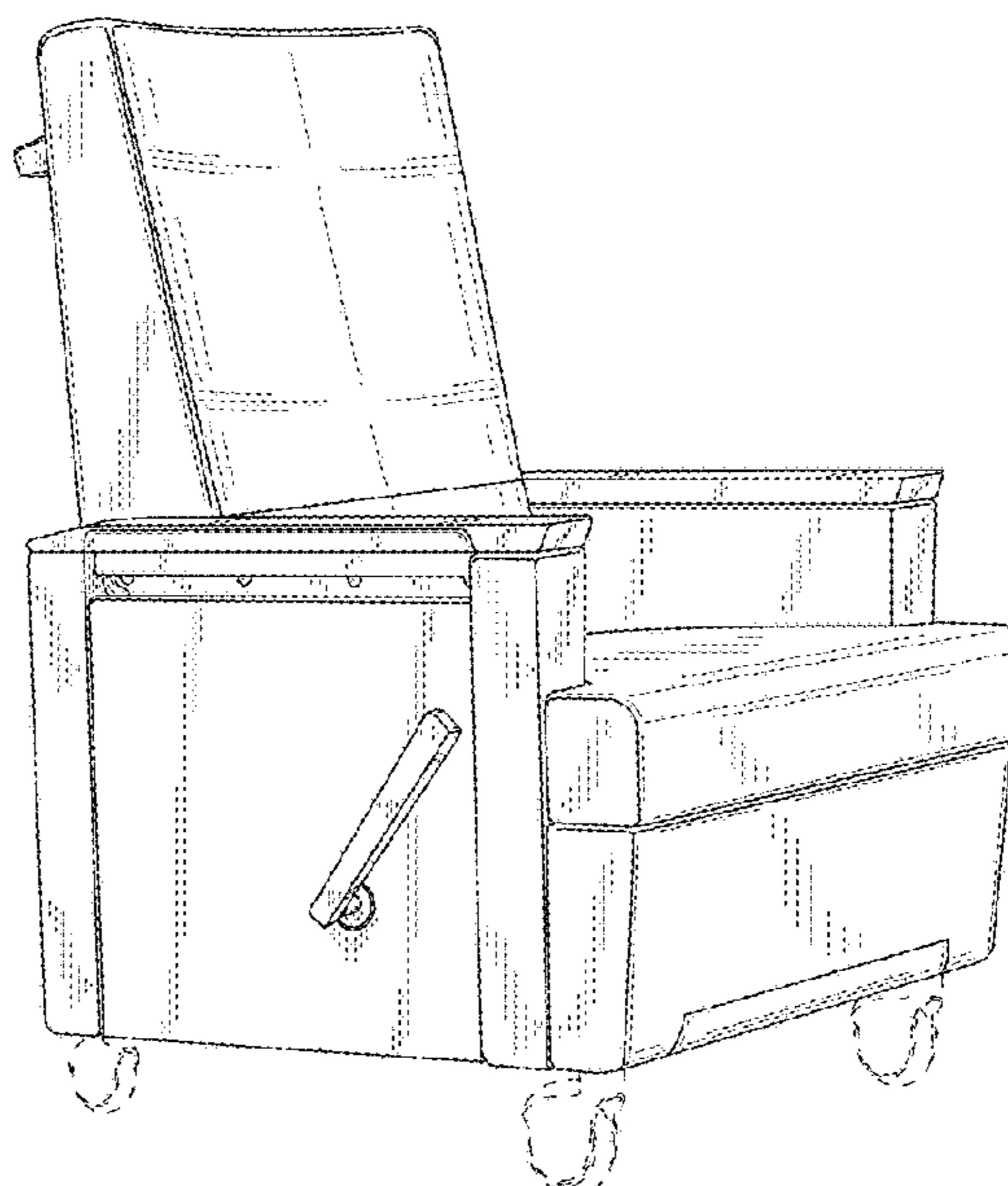
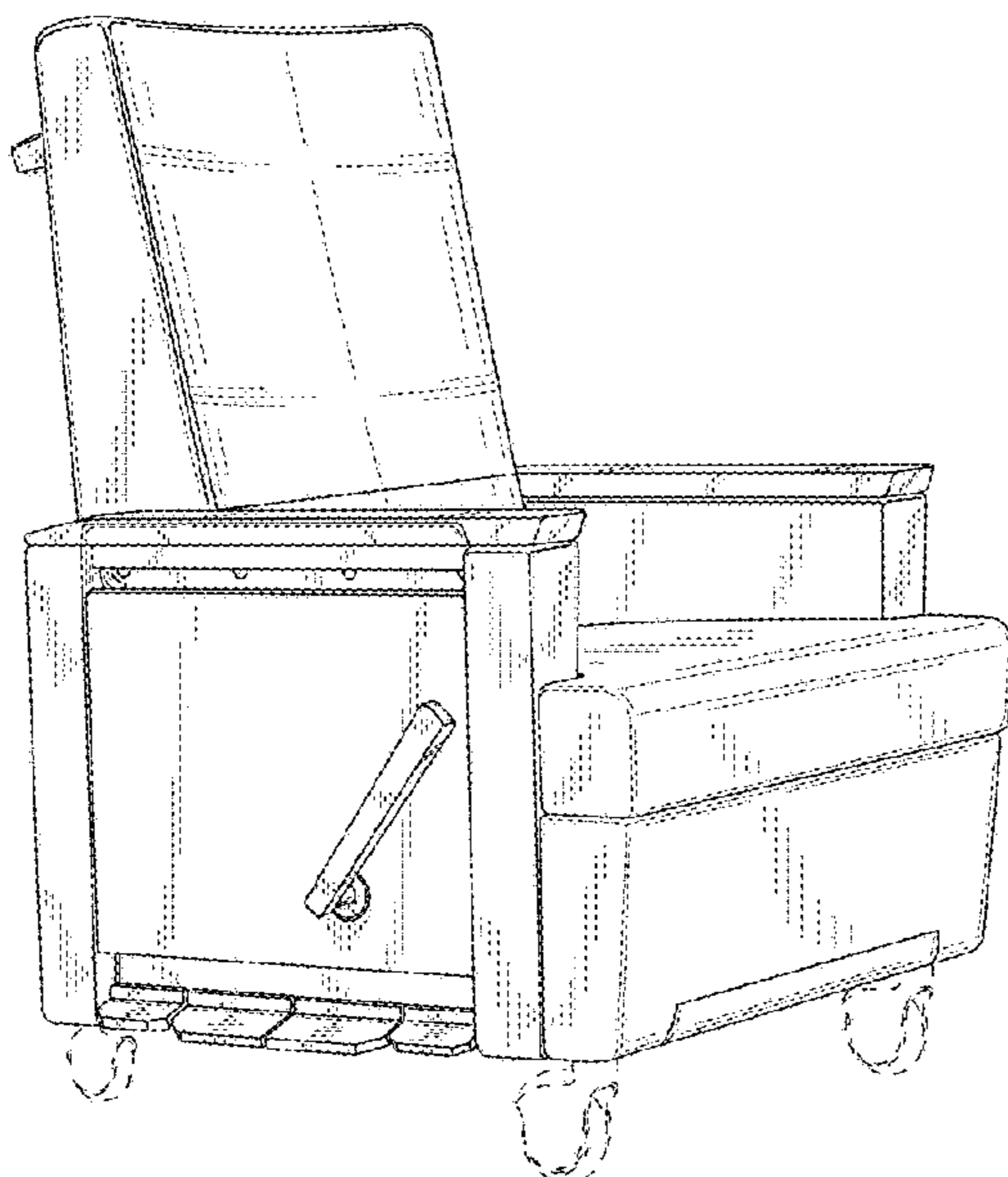
(57) **CLAIM**

The ornamental design for a recliner chair, as shown and described.

DESCRIPTION

FIG. 1 is a front isometric view of a recliner chair which embodies a first embodiment of our design;
 FIG. 2 is a rear isometric view thereof;
 FIG. 3 is a front view thereof;
 FIG. 4 is a rear view thereof;
 FIG. 5 is a left side view thereof;
 FIG. 6 is a right side view thereof;
 FIG. 7 is top view thereof;
 FIG. 8 is a bottom view thereof;
 FIG. 9 is a front isometric view of a recliner chair which embodies a second embodiment of our design;
 FIG. 10 is a rear isometric view thereof;
 FIG. 11 is a front view thereof;
 FIG. 12 is a rear view thereof;
 FIG. 13 is a left side view thereof;
 FIG. 14 is a right side view thereof;
 FIG. 15 is top view thereof; and,
 FIG. 16 is a bottom view thereof.
 The broken line showing of the wheels is included for the purpose of illustrating unclaimed subject matter and forms no part of the claimed design.

1 Claim, 14 Drawing Sheets



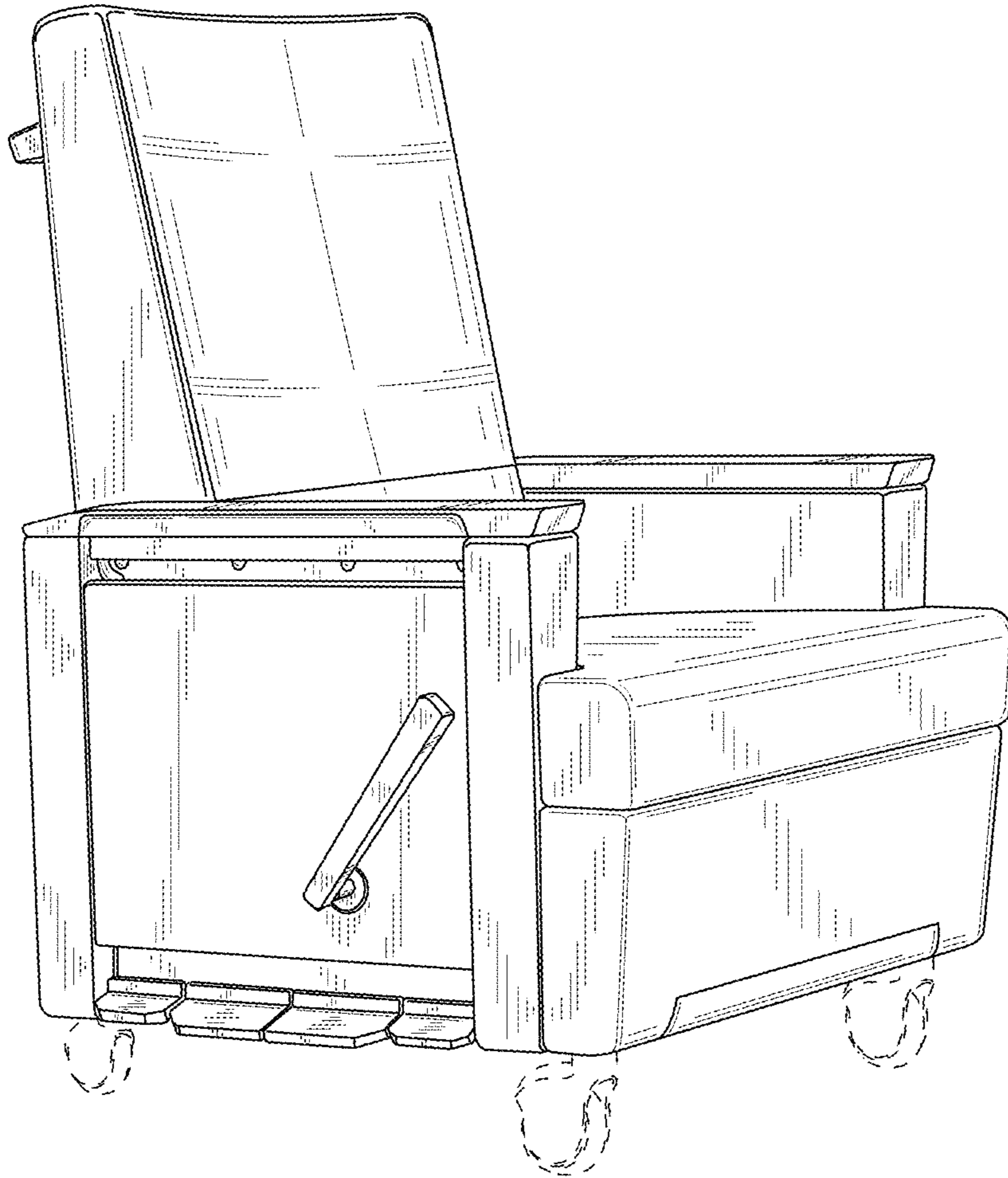


FIG. 1

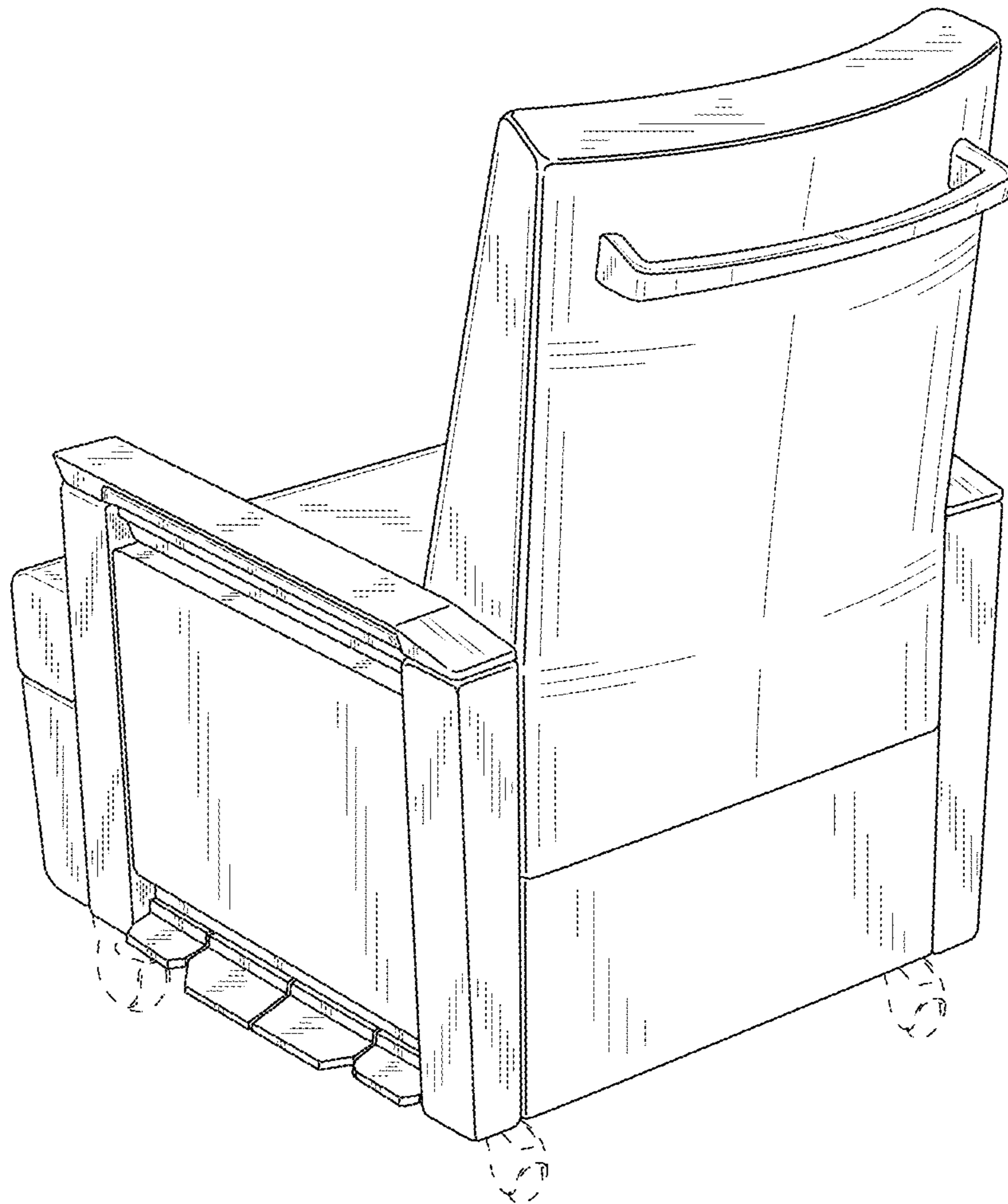


FIG. 2

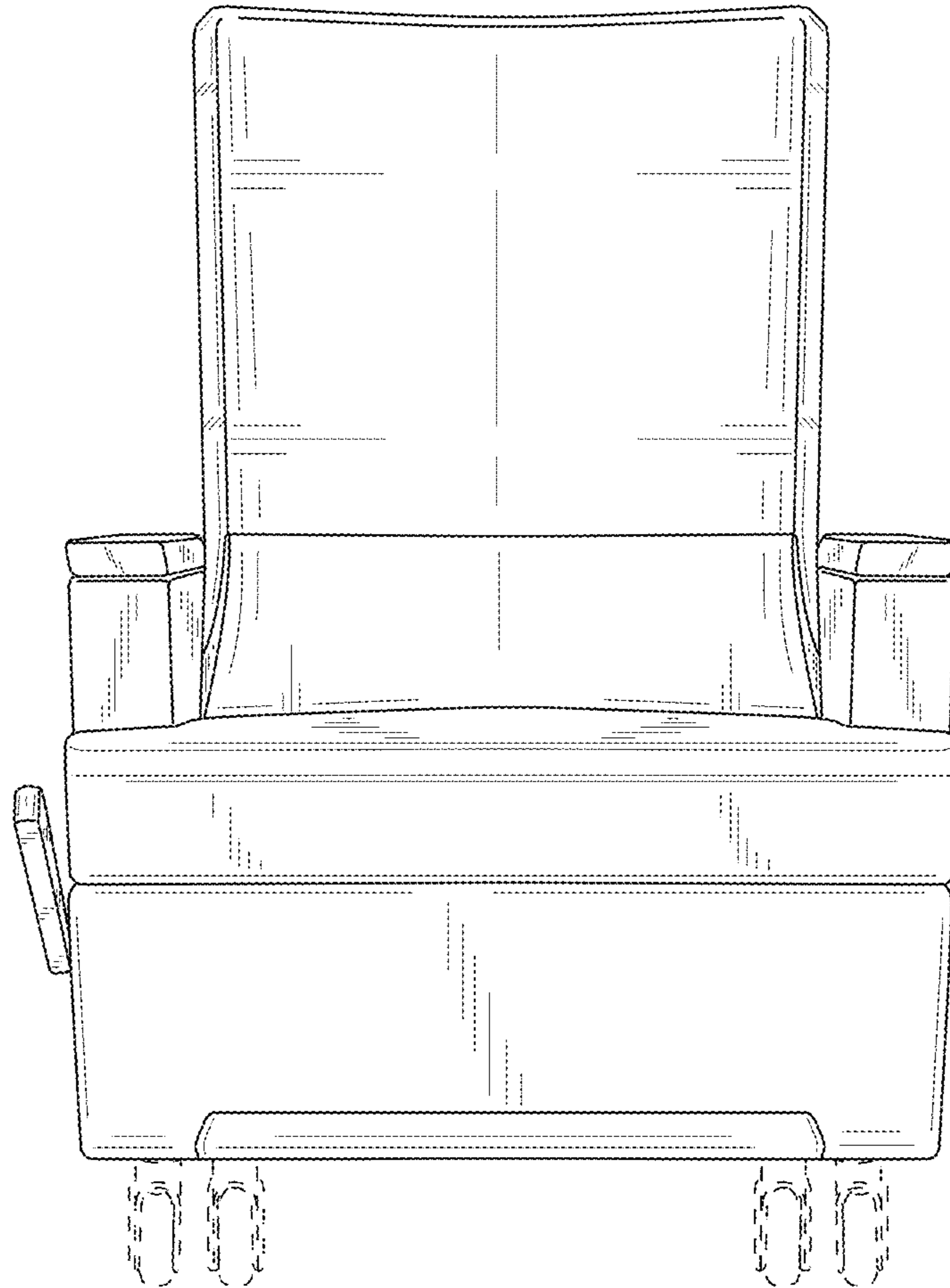


FIG. 3

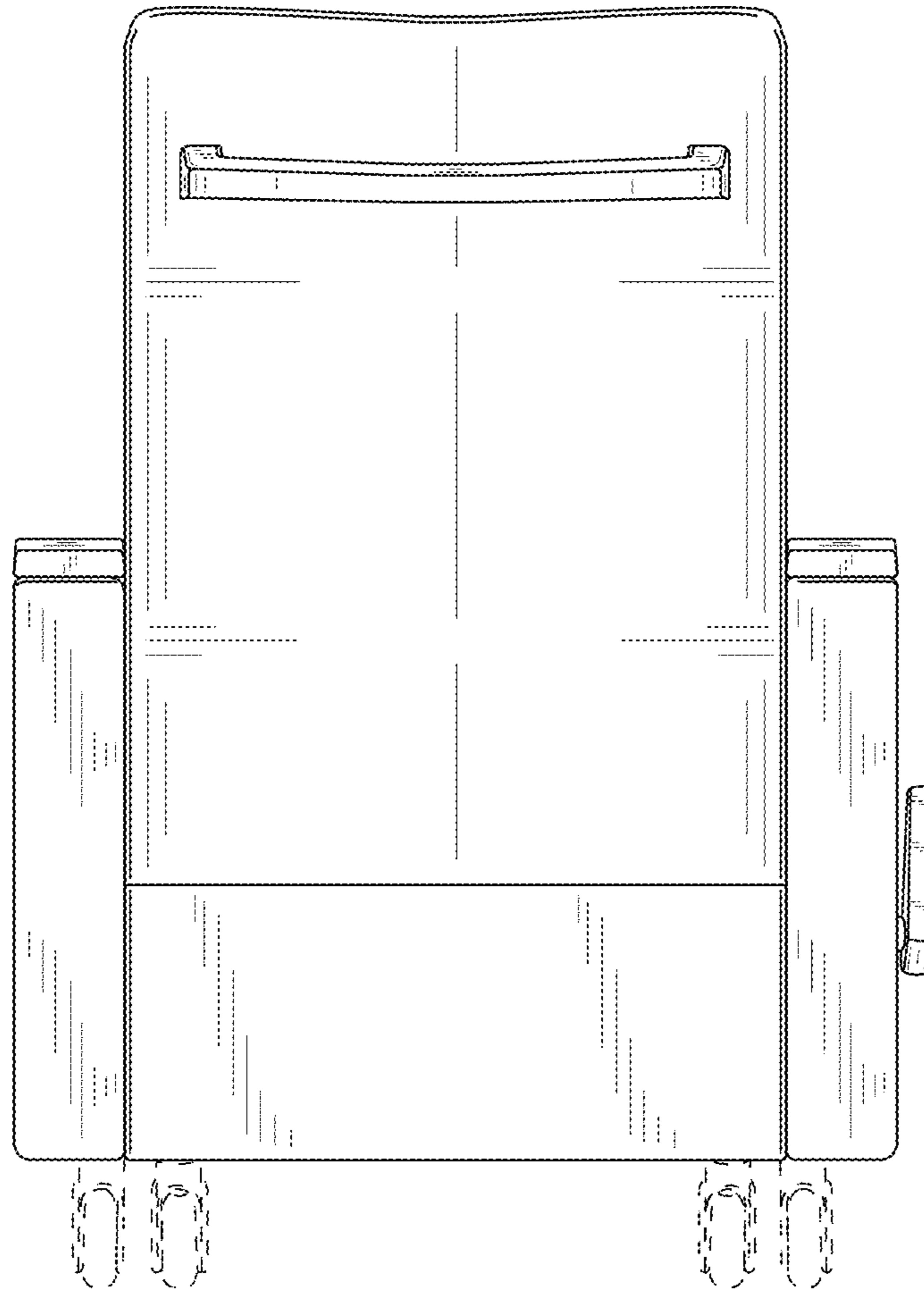


FIG. 4

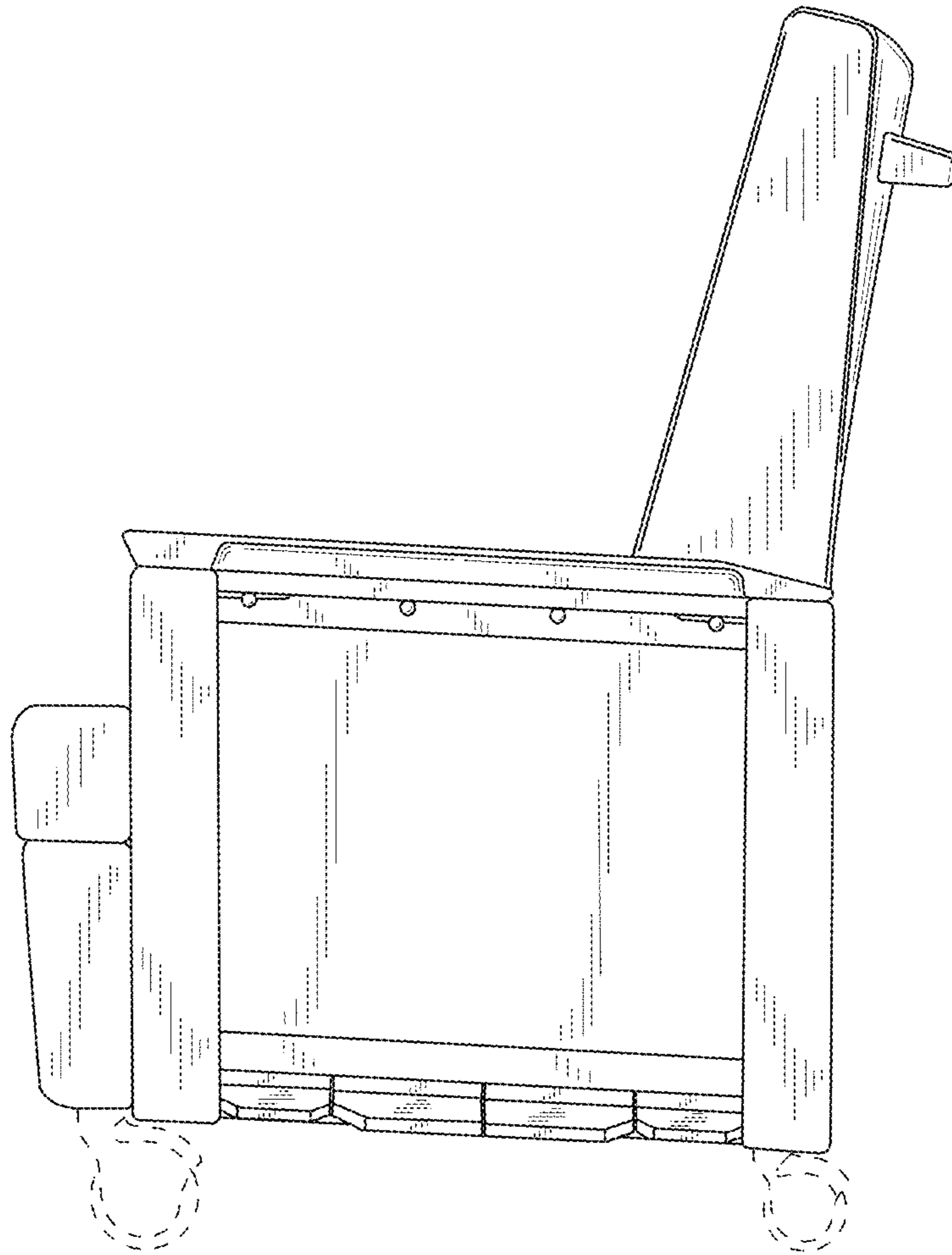


FIG. 5

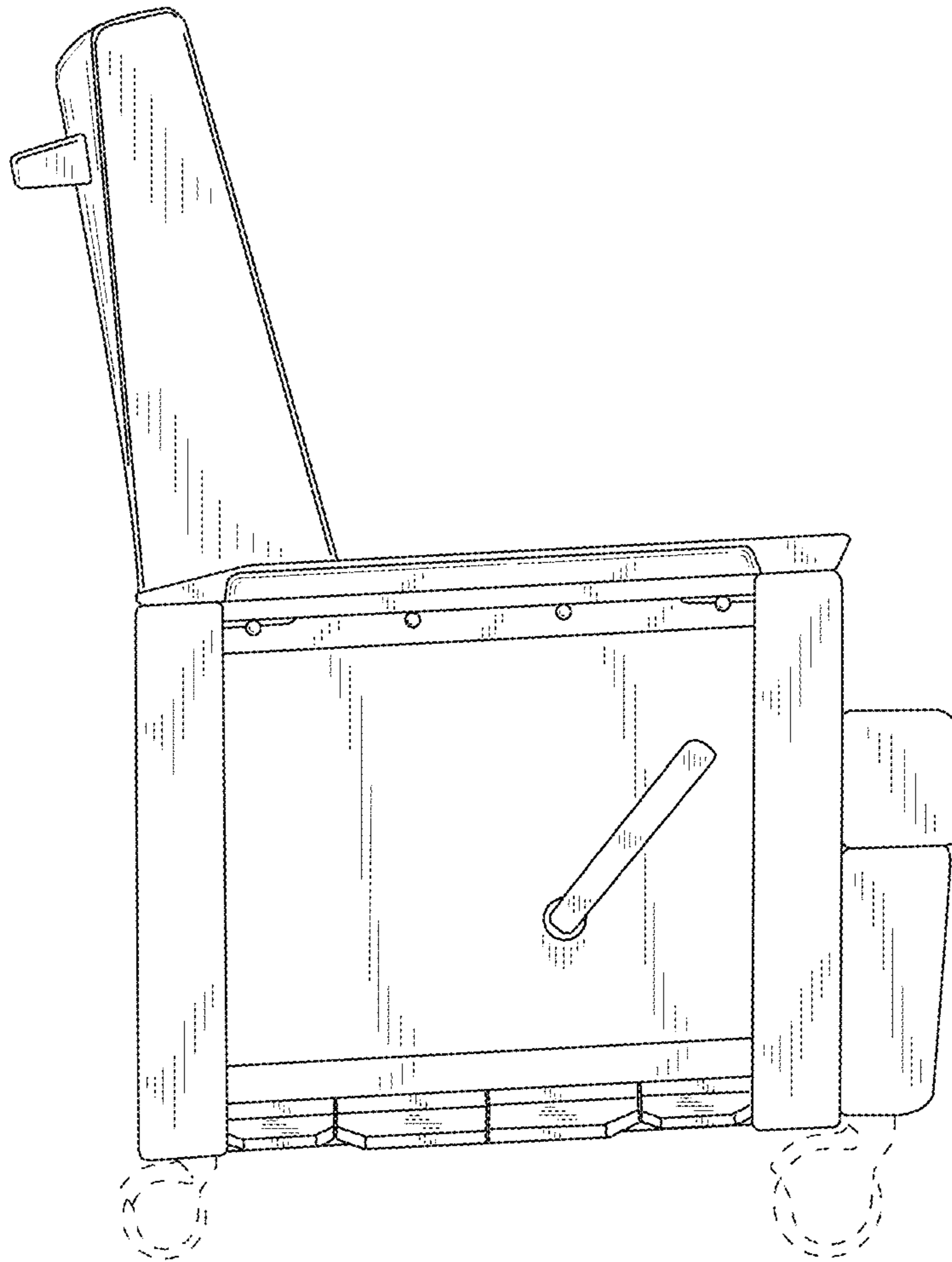


FIG. 6

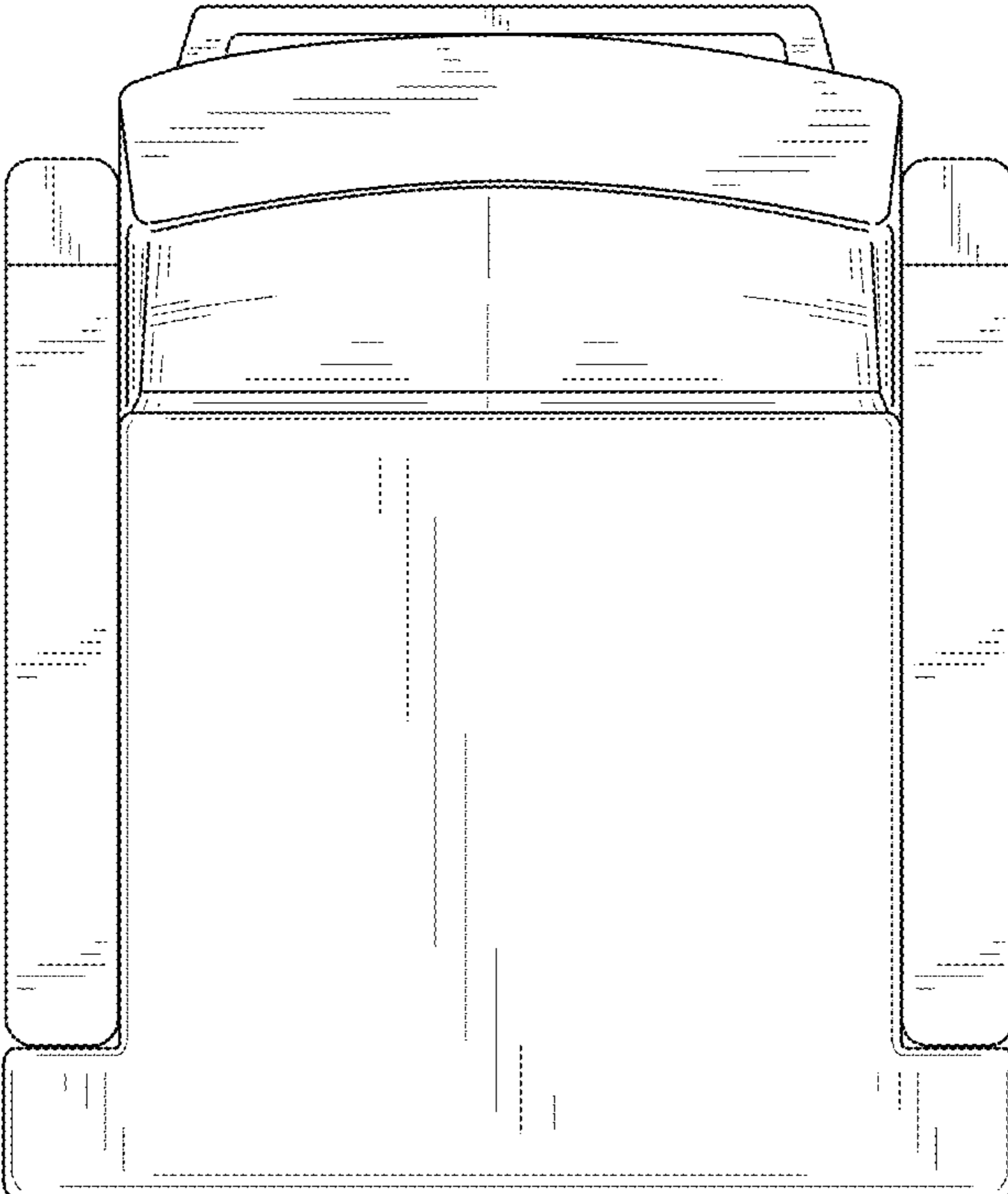


FIG. 7

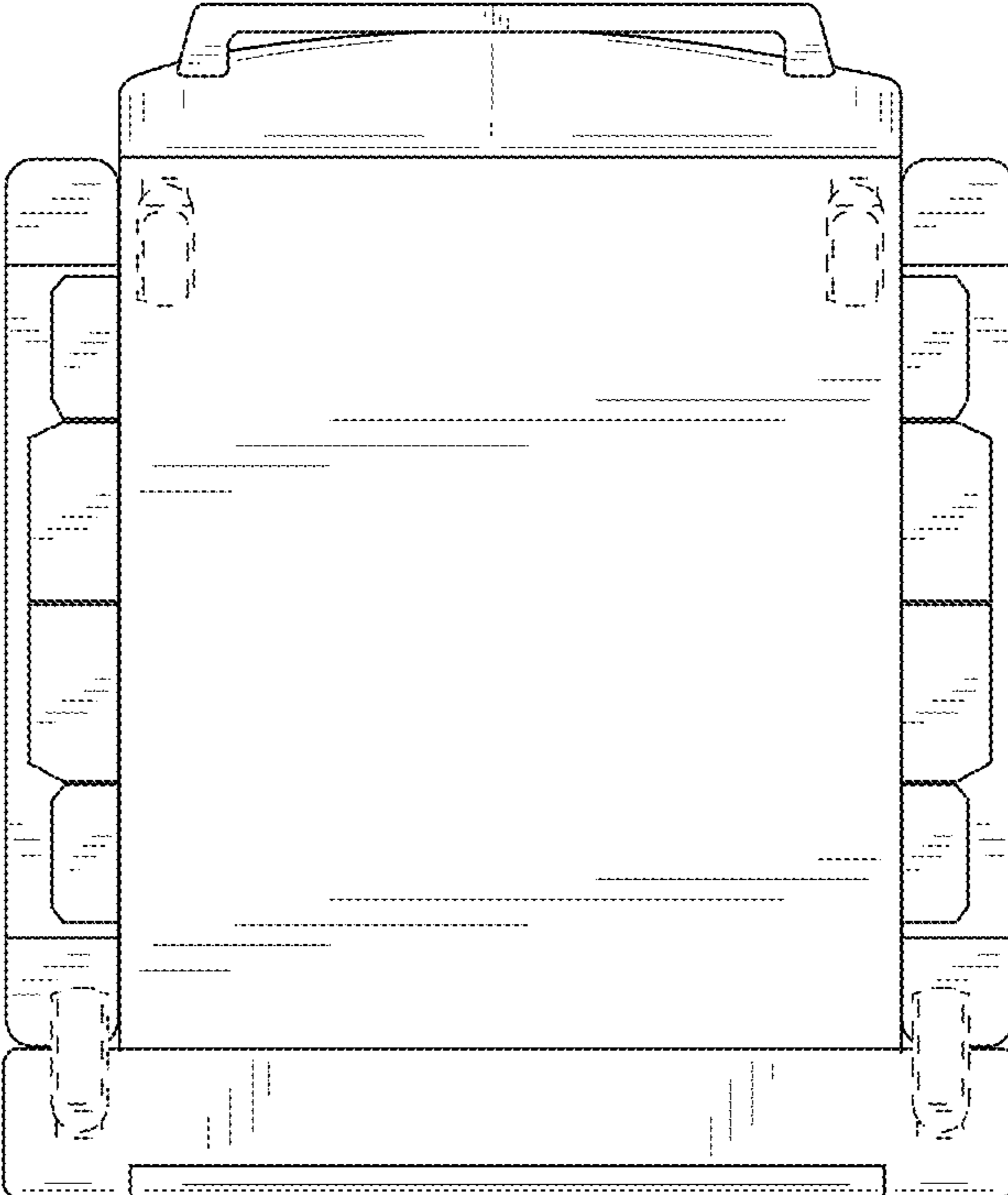


FIG. 8

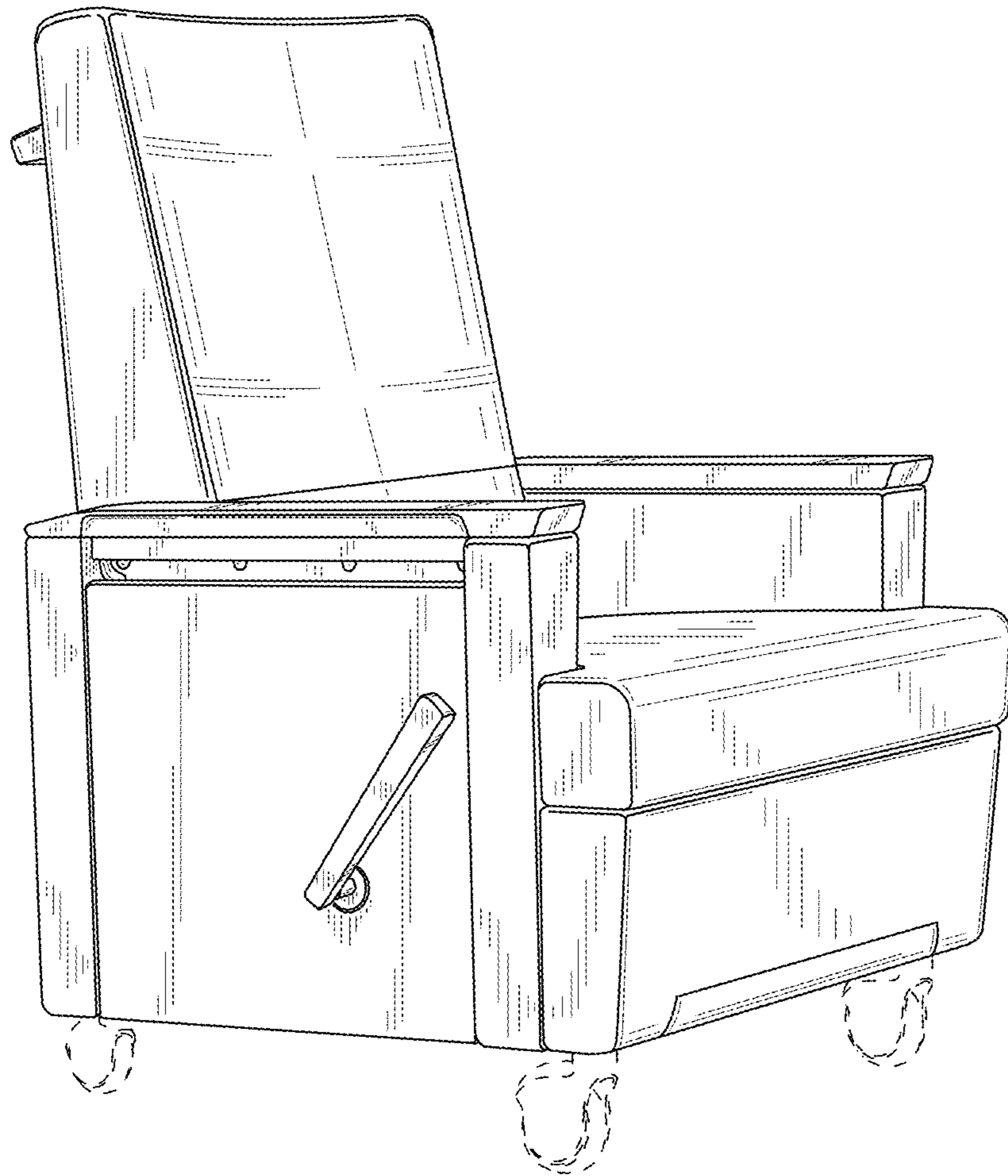


FIG. 9

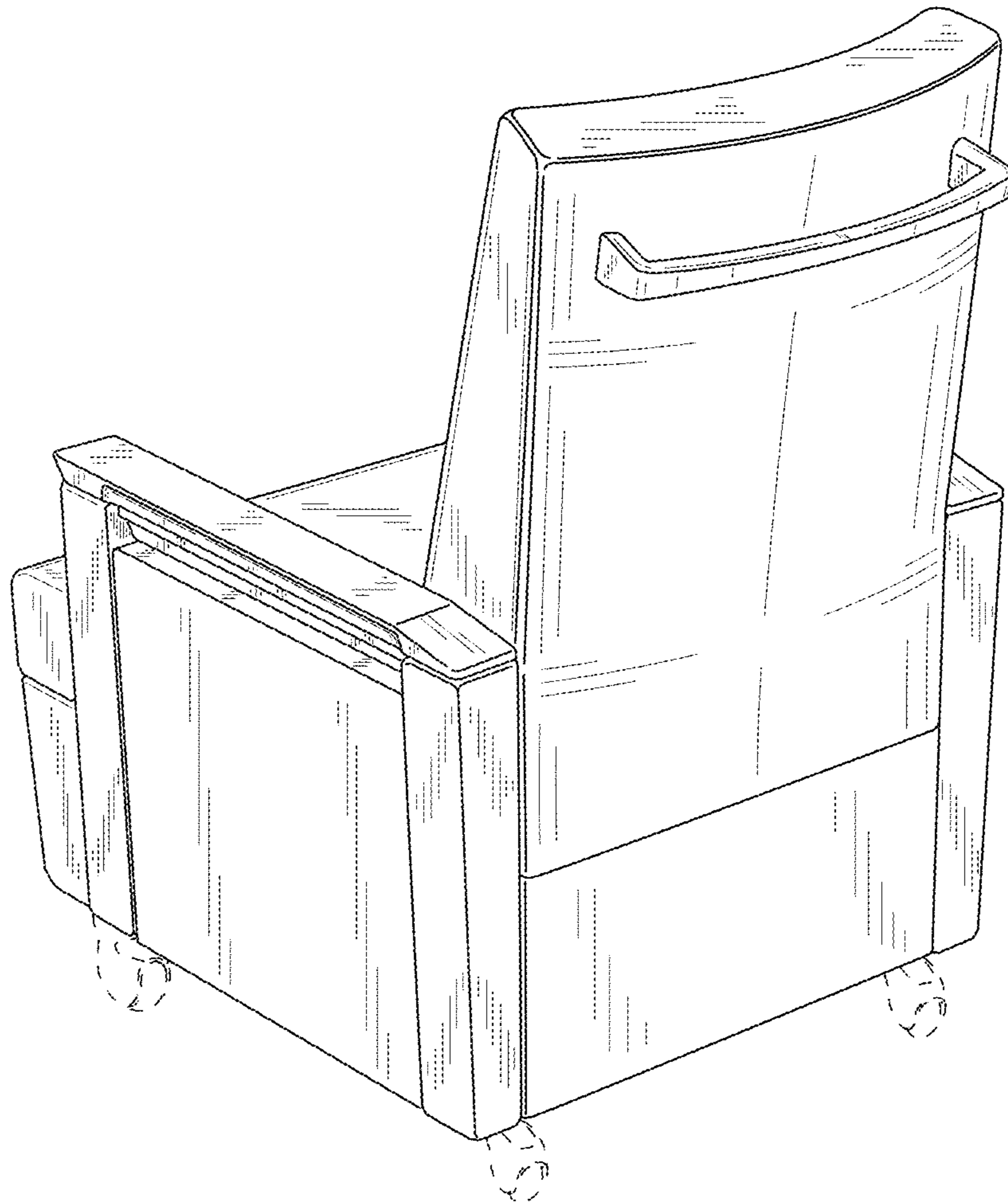


FIG. 10

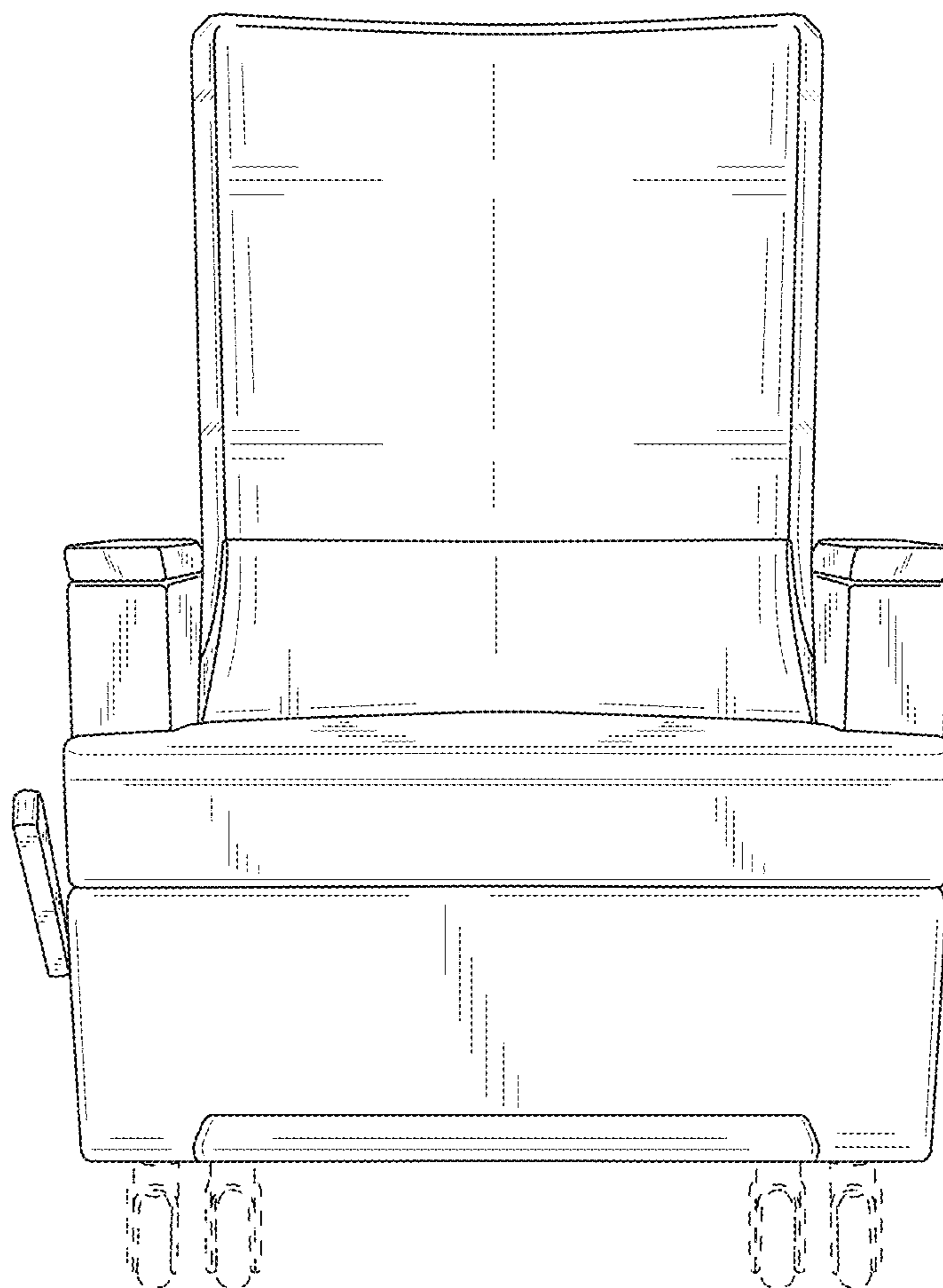


FIG. 11

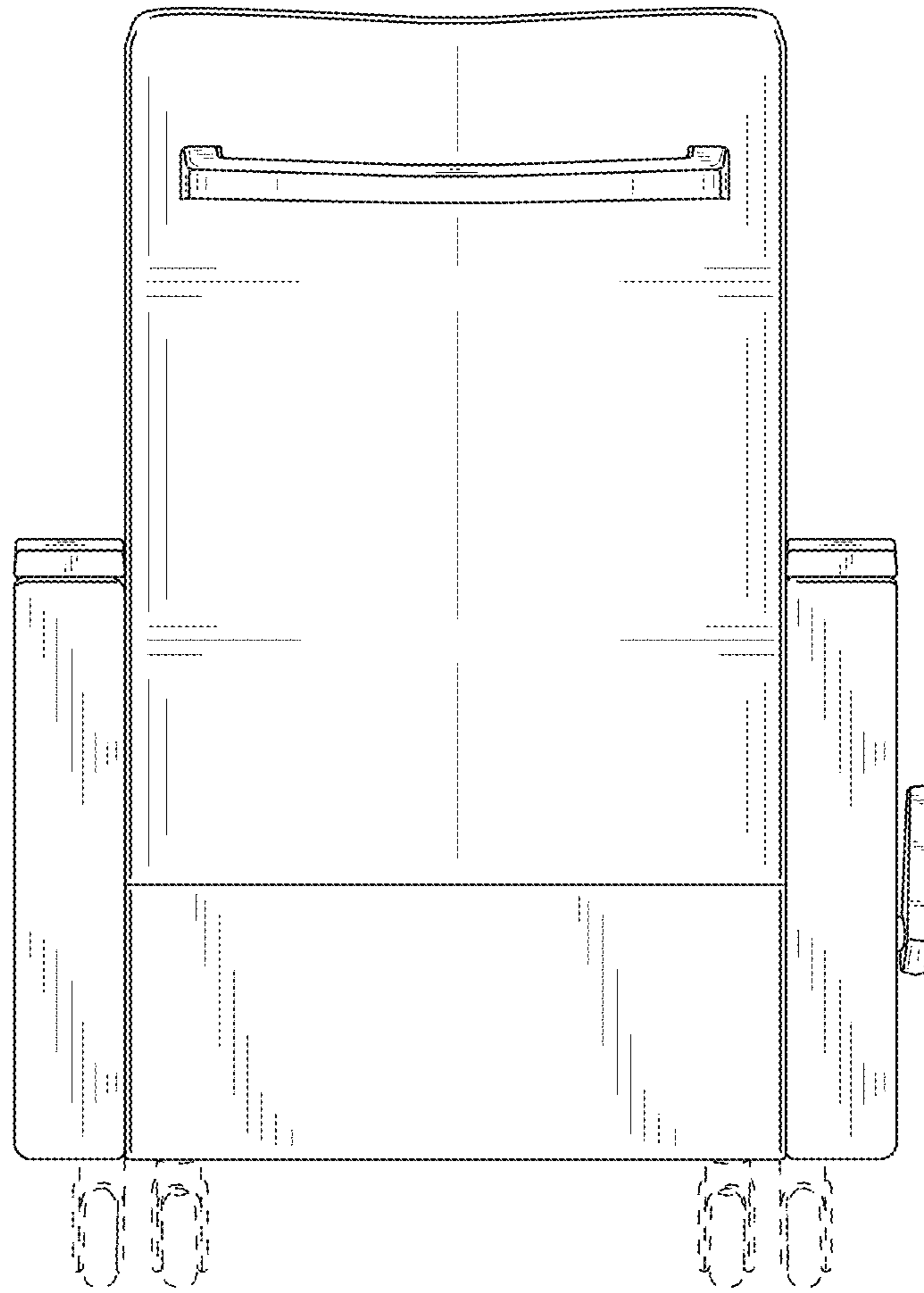


FIG. 12

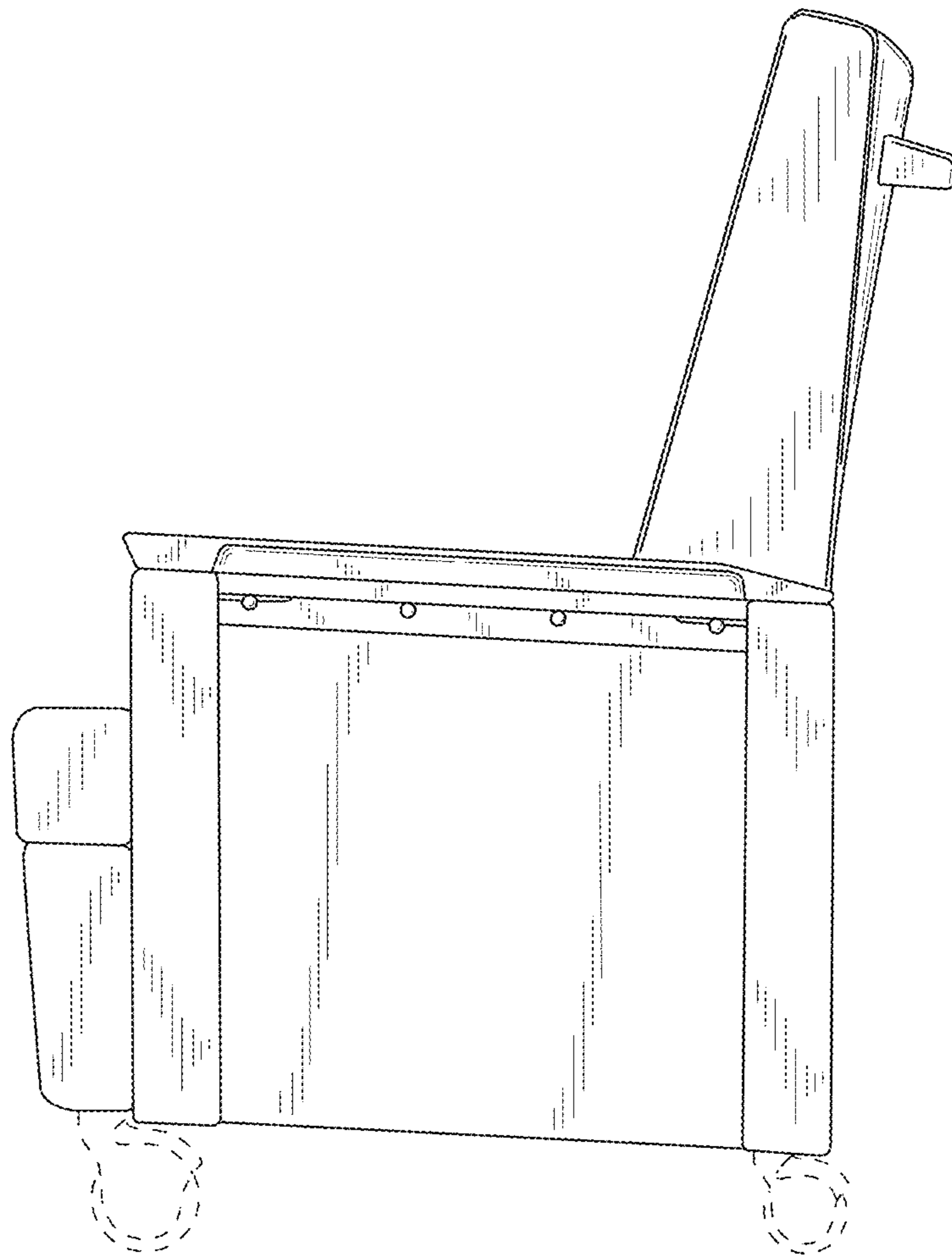


FIG. 13

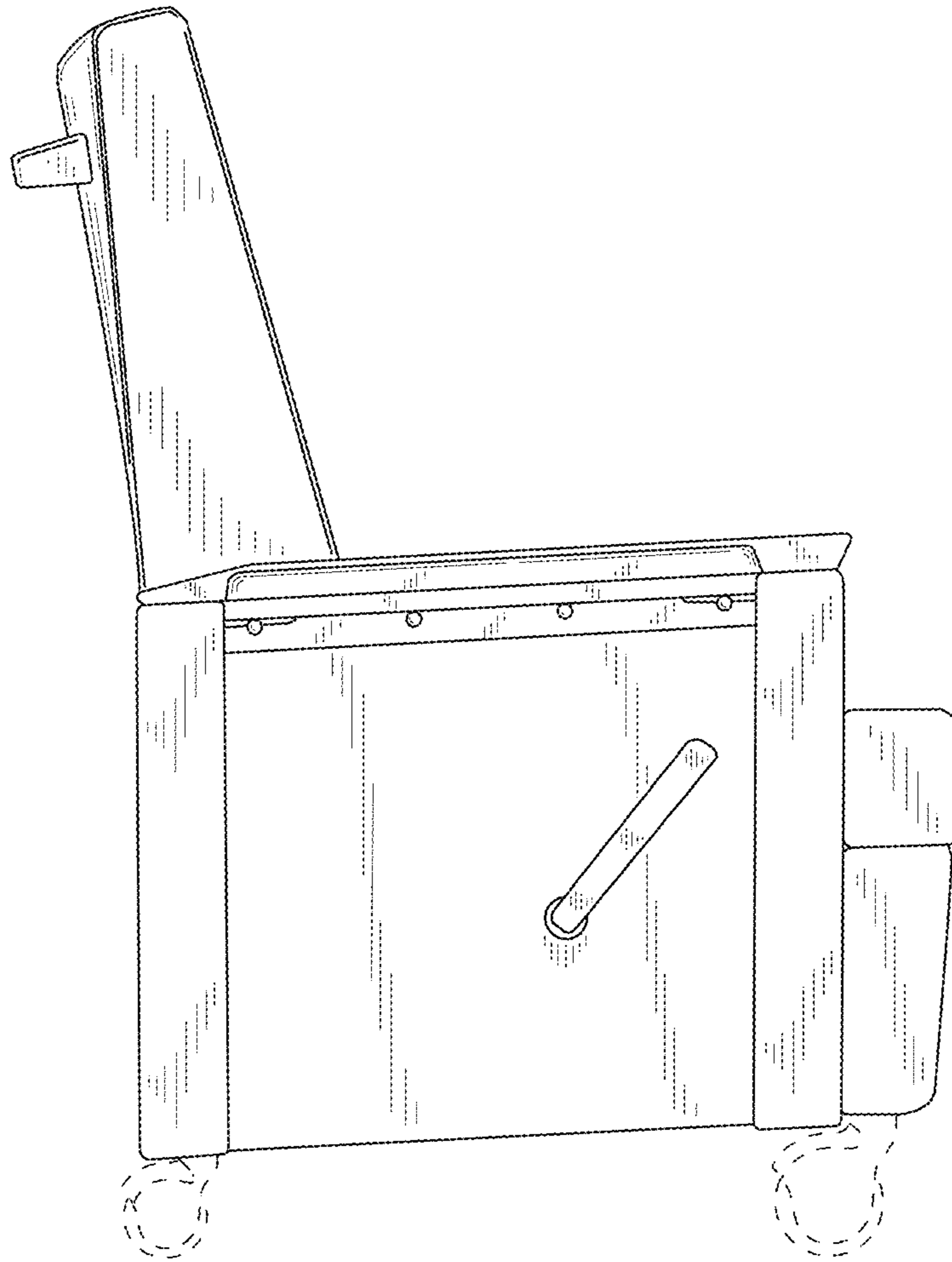


FIG. 14

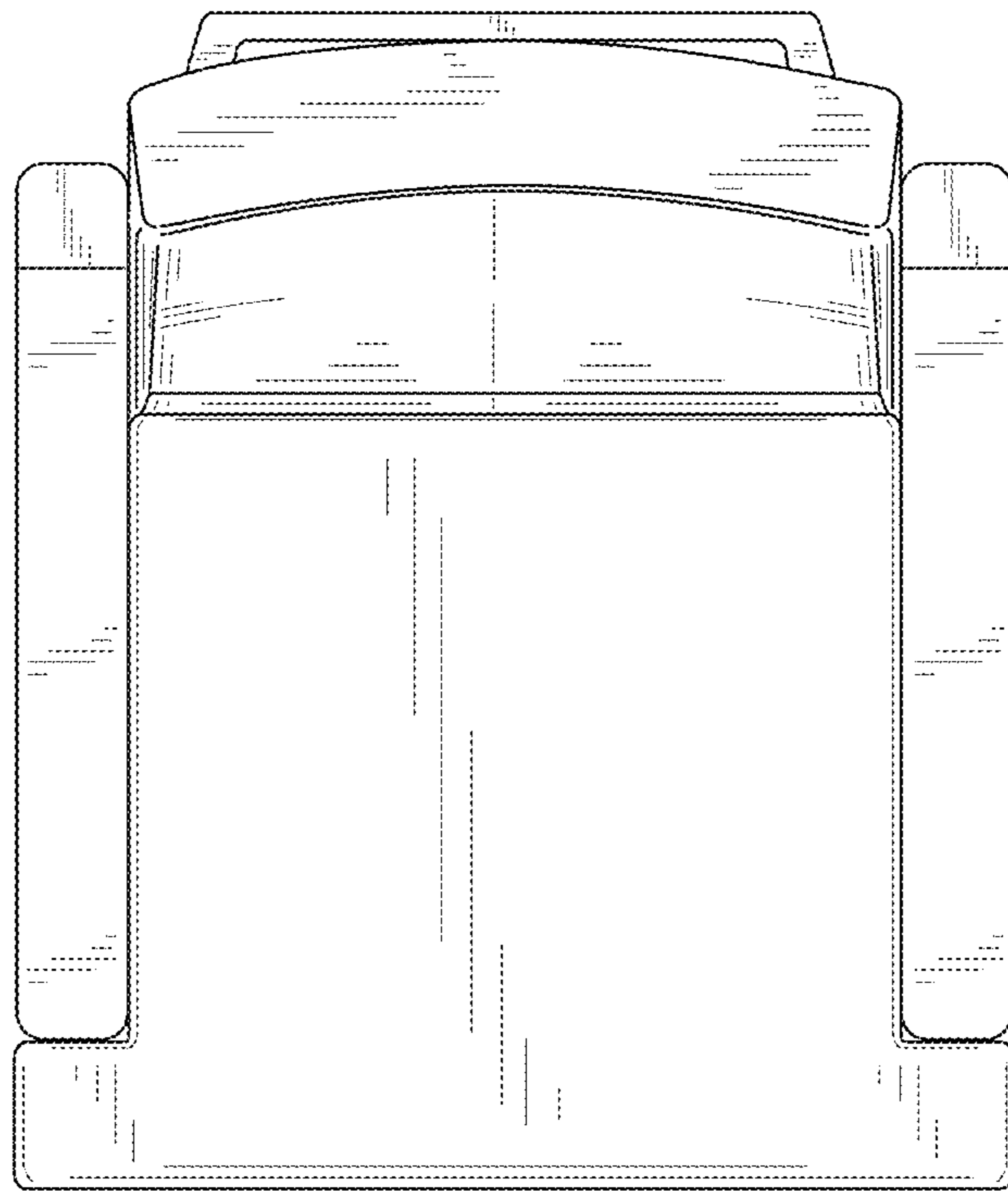


FIG. 15

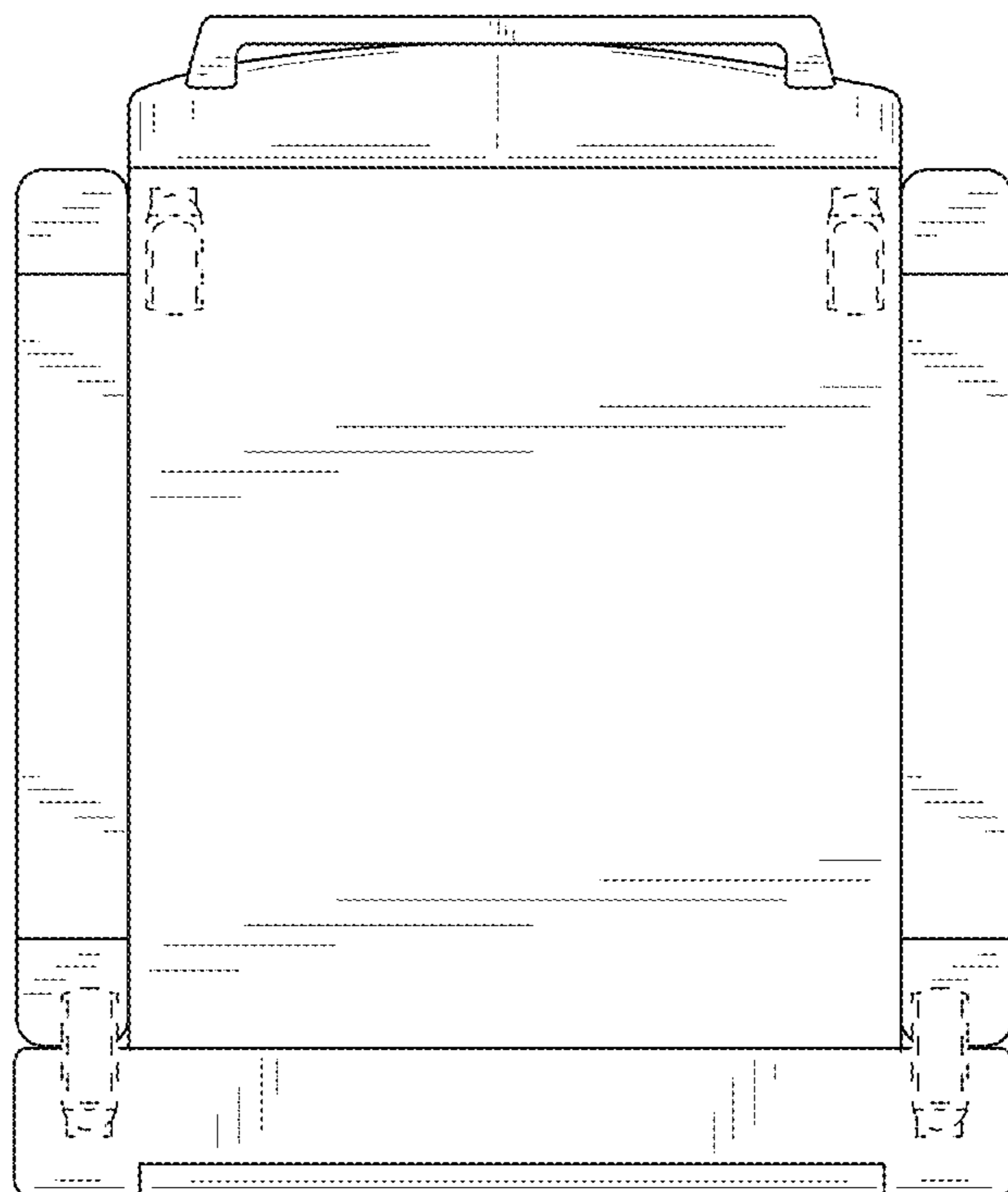


FIG. 16