



US00D805002S

(12) **United States Design Patent** (10) **Patent No.:** **US D805,002 S**
Anthony (45) **Date of Patent:** **** Dec. 12, 2017**

(54) **MULTIMEDIA BIKE** 5,123,668 A * 6/1992 Ligas B62K 27/003
280/204
(71) Applicant: **Frederick Anthony**, Bakersfield, CA D486,425 S * 2/2004 Li D12/112
(US) D642,095 S * 7/2011 Jacobs D12/111
D709,801 S * 7/2014 Kristensen D12/111
(72) Inventor: **Frederick Anthony**, Bakersfield, CA D746,177 S * 12/2015 Broen D12/102
(US) D785,508 S * 5/2017 Coleman D12/112
2009/0184488 A1 * 7/2009 Dixon B62K 3/005
280/202

(**) Term: **15 Years**

* cited by examiner

(21) Appl. No.: **29/580,331**

Primary Examiner — Darlington Ly

(22) Filed: **Oct. 7, 2016**

(74) *Attorney, Agent, or Firm* — Matthew C. McCartney,
Esq.; Eastman & McCartney LLP

(51) **LOC (10) Cl.** **12-11**

(52) **U.S. Cl.**

USPC **D12/112; D34/18**

(58) **Field of Classification Search**

USPC D12/101, 102, 105, 111, 112, 117;
D7/334; D21/419, 424; D34/13, 18, 20

CPC B62D 21/11; B62D 29/043; B62D 31/00;

B62D 49/00; B62D 61/065; B62K 5/02;

B62K 5/025; B62K 5/05; B62K 7/00;

B62K 17/00; B62K 2204/00; B62B

5/0003; B62B 5/0079

See application file for complete search history.

(56) **References Cited**

U.S. PATENT DOCUMENTS

1,962,454 A * 6/1934 Meanor A47B 31/02

126/268

D276,754 S * 12/1984 Smith D34/20

4,976,112 A * 12/1990 Roberts A23G 3/28

62/457.9

D322,500 S * 12/1991 Van Stokkum D34/13

(57) **CLAIM**

The ornamental design for a multimedia bike, as shown and described.

DESCRIPTION

FIG. 1 is a rear and right side perspective view of a multimedia bike showing my new design;

FIG. 2 is a right side elevation view thereof;

FIG. 3 is a left side elevation view thereof;

FIG. 4 is a rear elevation view thereof;

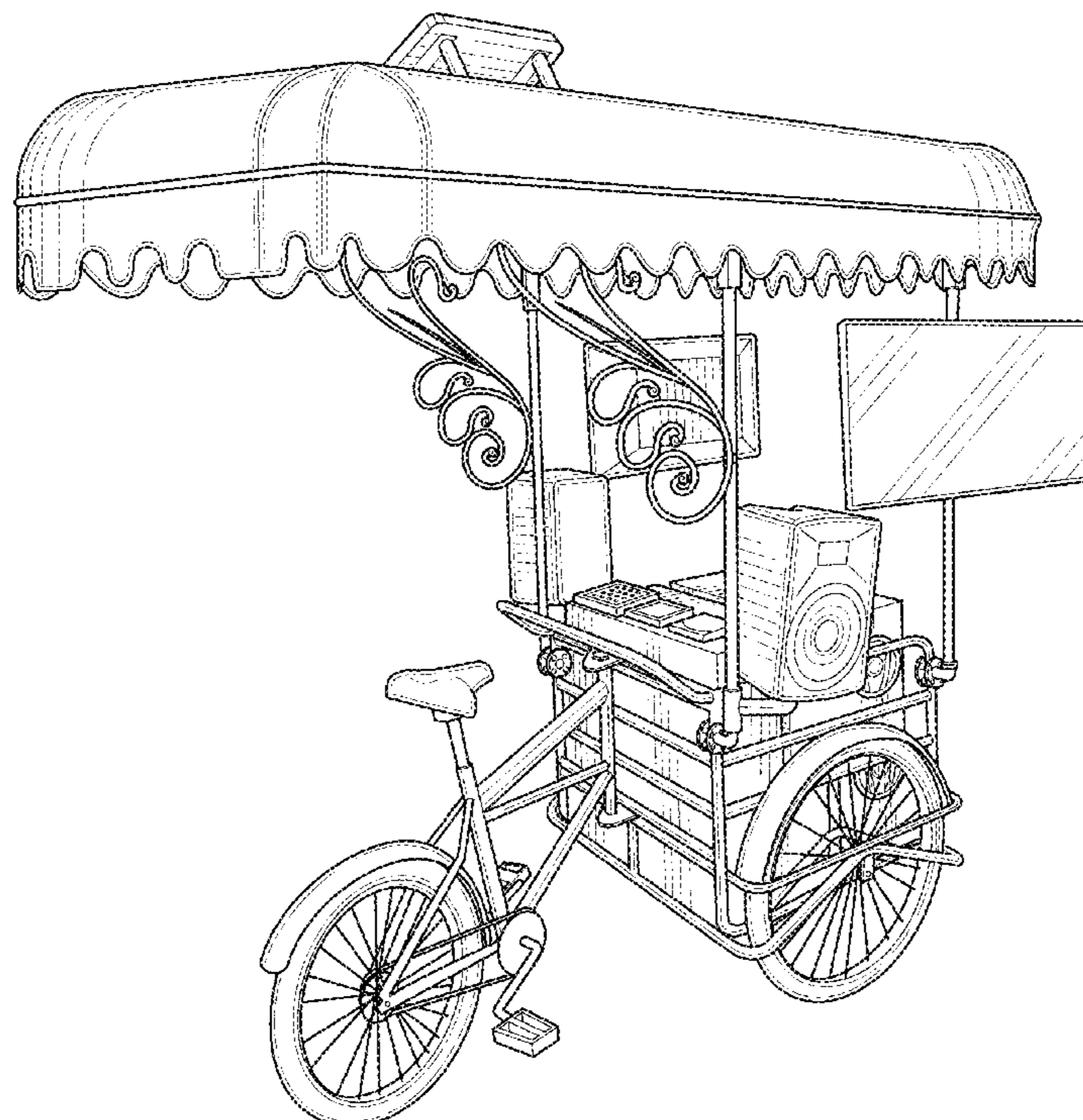
FIG. 5 is a front elevation view thereof;

FIG. 6 is a bottom plan view thereof; and,

FIG. 7 is a top plan view thereof.

No claim is made to the features of the multimedia bike shown in dashed lines.

1 Claim, 7 Drawing Sheets



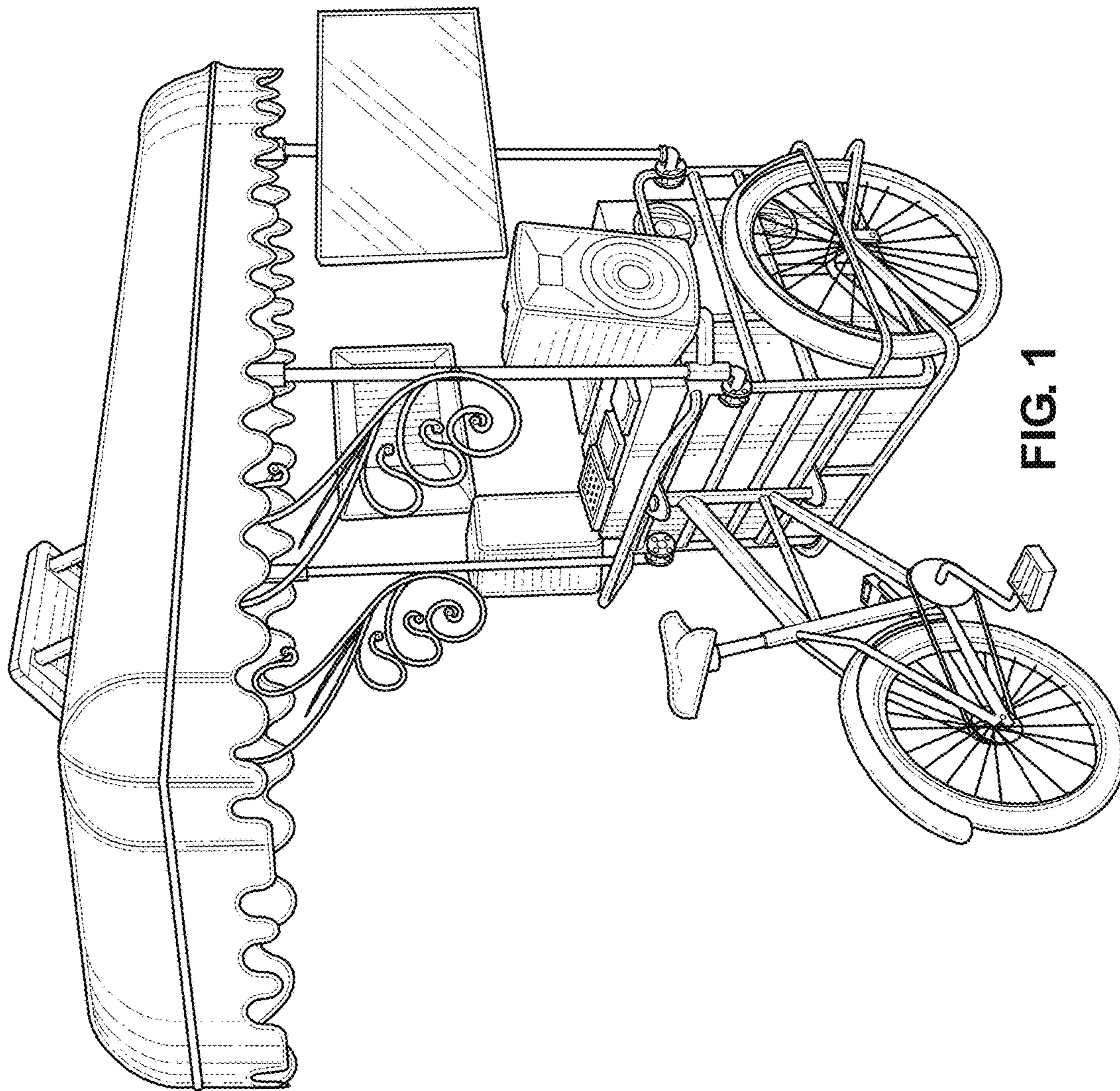


FIG. 1

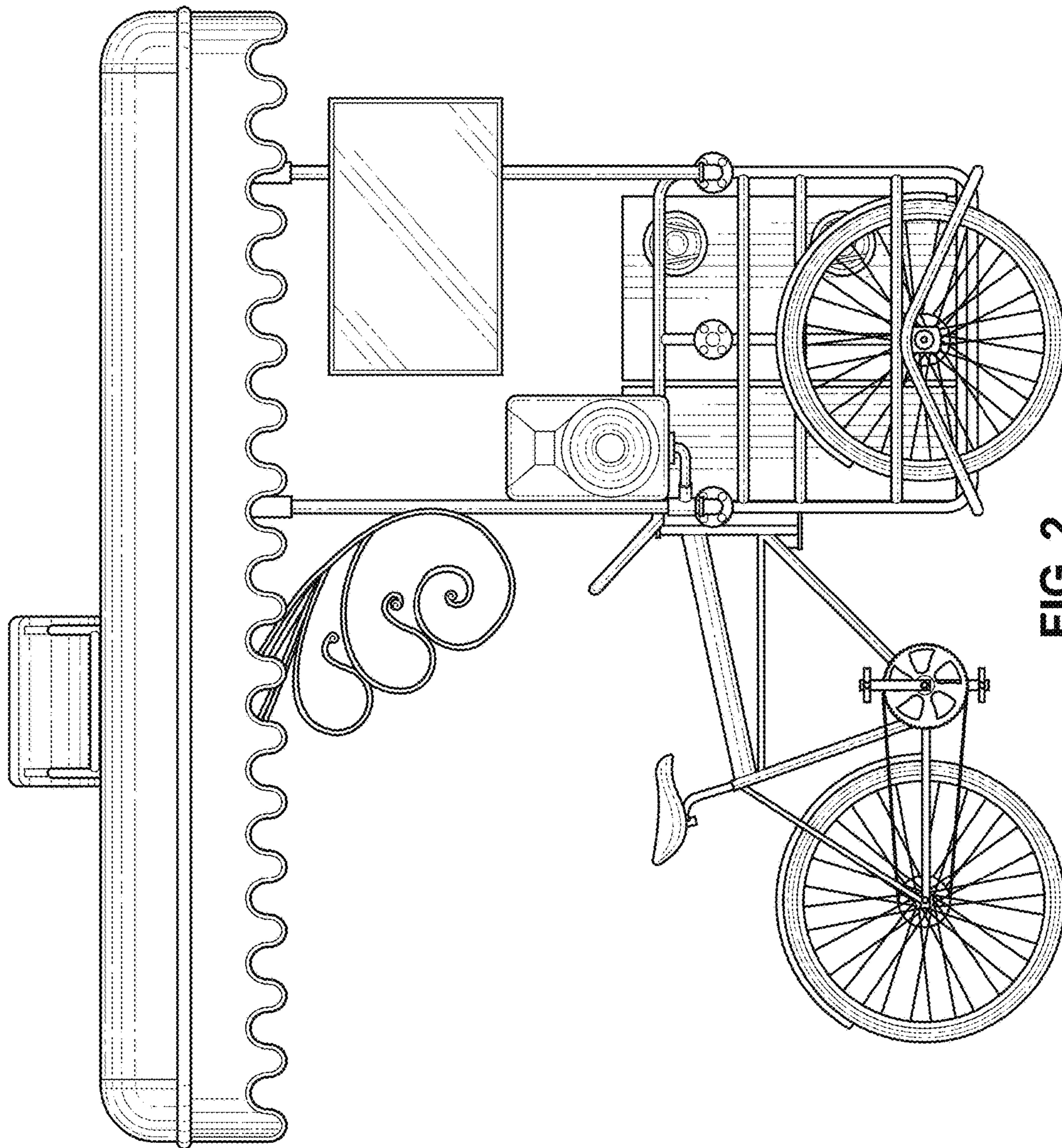


FIG. 2

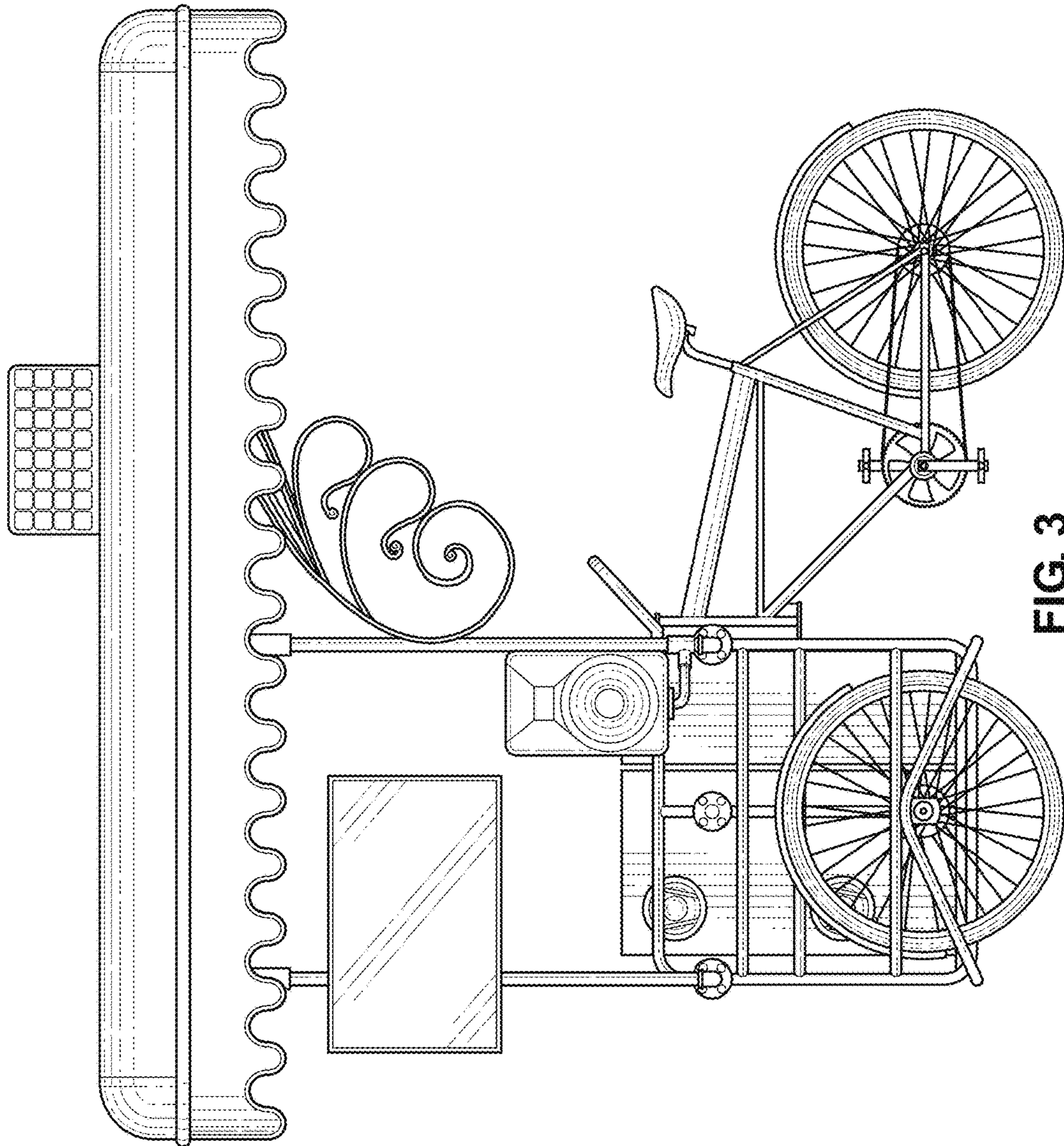


FIG. 3

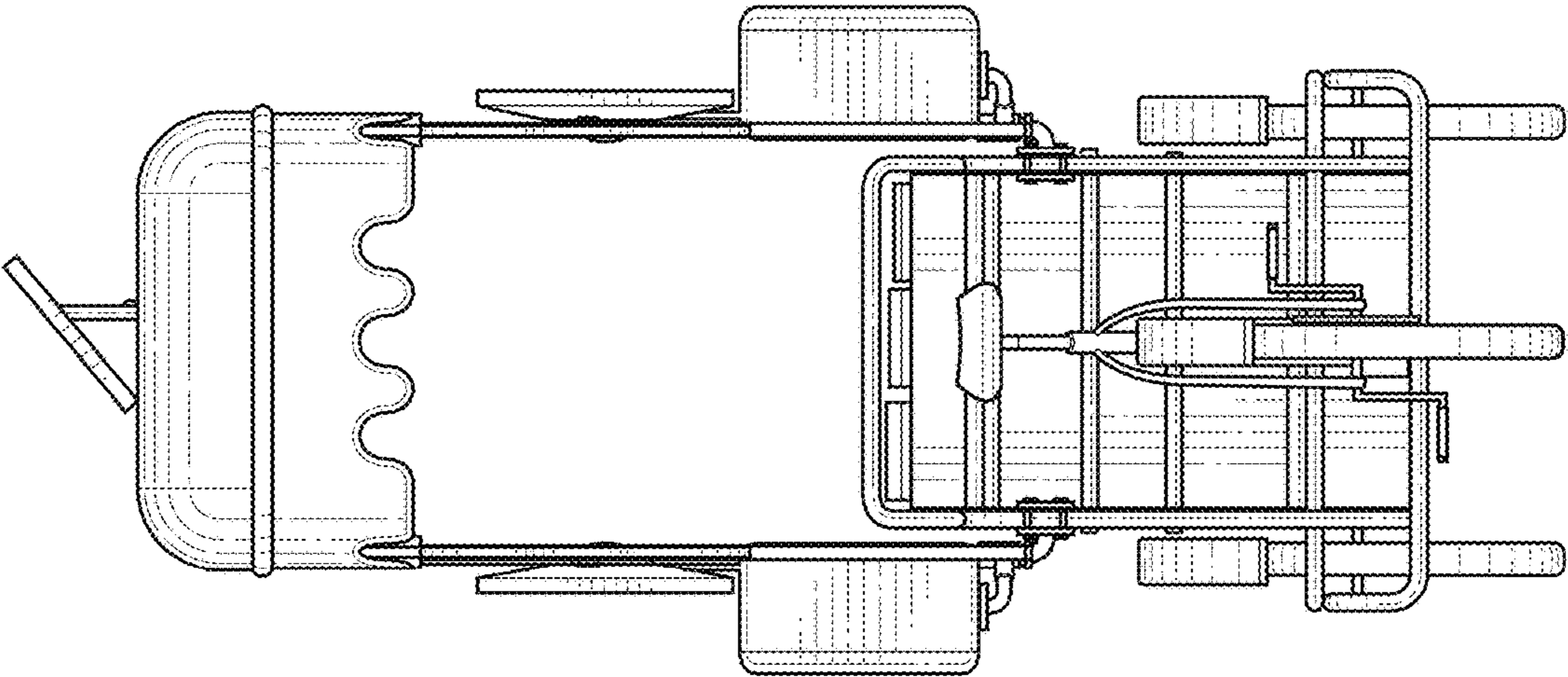


FIG. 4

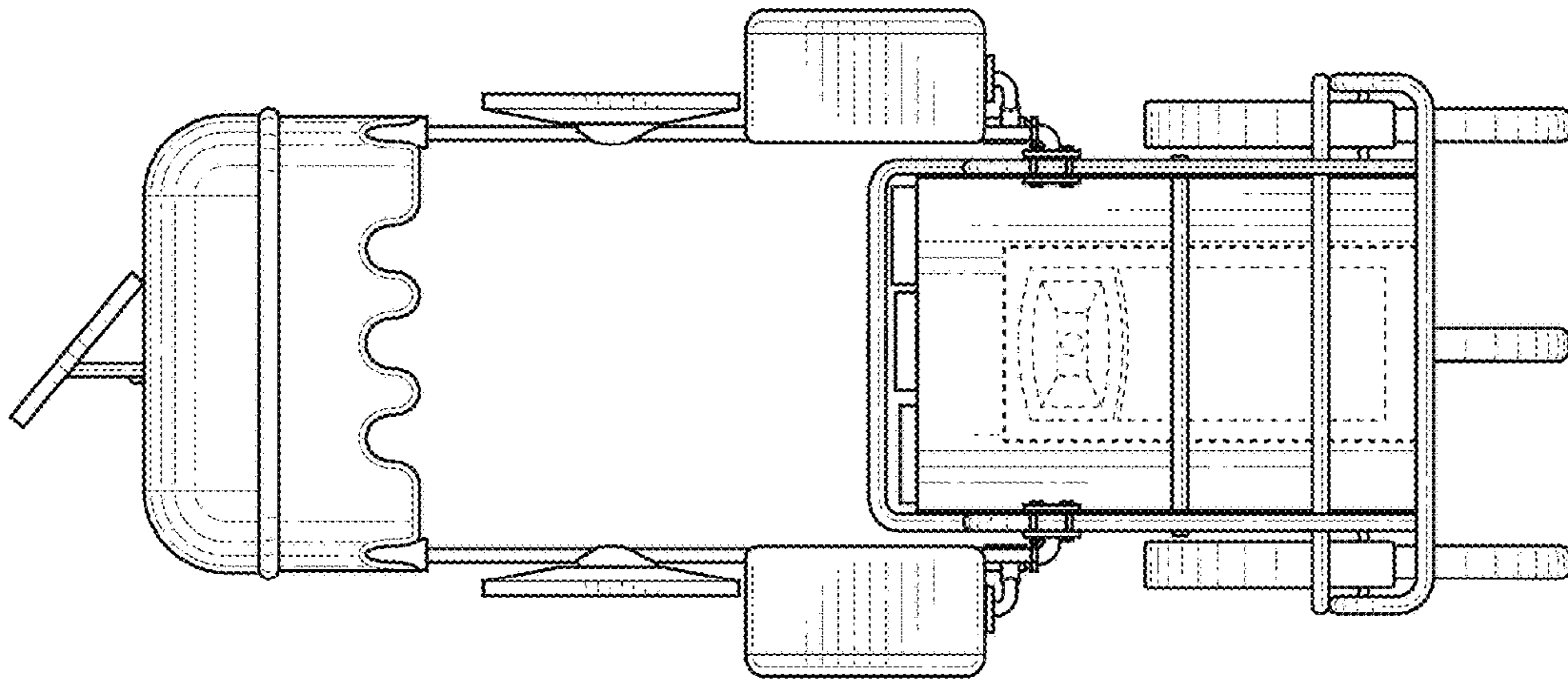


FIG. 5

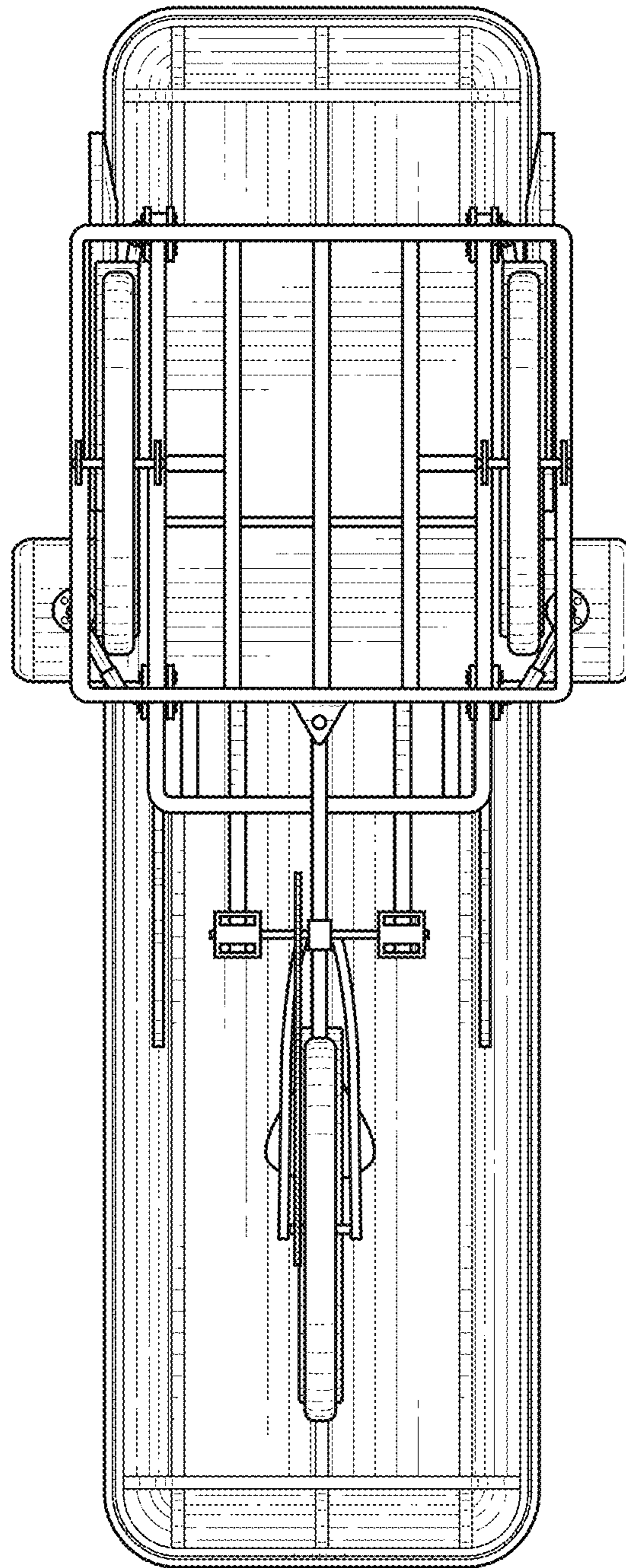


FIG. 6

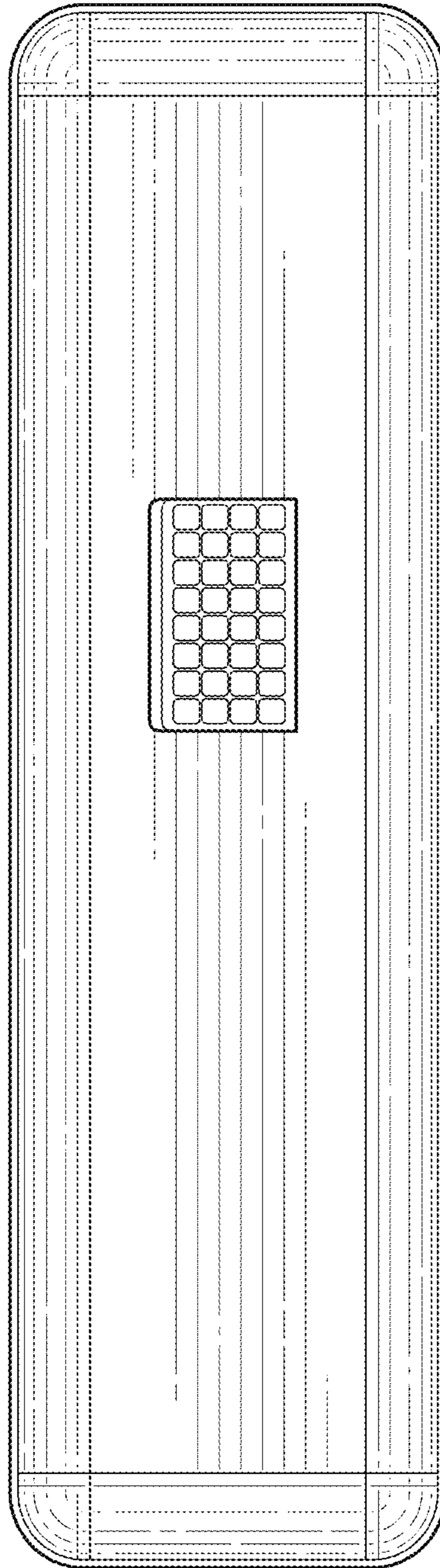


FIG. 7