

US00D805001S

(12) **United States Design Patent** (10) **Patent No.:** **US D805,001 S**  
**Chen** (45) **Date of Patent:** **\*\* Dec. 12, 2017**

(54) **FRAME FOR AN ELECTRIC BICYCLE**

(71) Applicant: **ARTHUR JUNIOR ENTERPRISES CO., LTD.**, Taichung (TW)

(72) Inventor: **Yu-Cheng Chen**, Taichung (TW)

(73) Assignee: **ARTHUR JUNIOR ENTERPRISES CO., LTD.**, Taichung (TW)

(\*\*) Term: **15 Years**

(21) Appl. No.: **29/567,100**

(22) Filed: **Jun. 6, 2016**

(51) **LOC (10) Cl.** ..... **12-11**

(52) **U.S. Cl.**

USPC ..... **D12/111**

(58) **Field of Classification Search**

USPC ..... D12/111, 117, 406, 407

CPC . B62K 3/00; B62K 3/005; B62K 9/00; B62K

19/00; B62K 19/02; B62K 19/04; B62K

19/06; B62K 19/16

See application file for complete search history.

(56) **References Cited**

**U.S. PATENT DOCUMENTS**

D308,500 S \* 6/1990 Berg ..... D12/111

D343,147 S \* 1/1994 Cognata ..... D12/111

D343,598 S \* 1/1994 Southwell ..... D12/111

6,375,210 B1 \* 4/2002 Lam ..... B62K 19/02

280/279

D517,452 S \* 3/2006 Hickman ..... D12/111

7,374,191 B1 \* 5/2008 Tseng ..... B62K 25/30

280/284

D588,505 S \* 3/2009 Couturet ..... D12/111

D619,935 S \* 7/2010 Lee ..... D12/111  
D667,347 S \* 9/2012 Simko ..... D12/111  
D673,883 S \* 1/2013 Hillairret ..... D12/111  
D719,880 S \* 12/2014 Juarez ..... D12/111  
D724,498 S \* 3/2015 Eagleman ..... D12/111  
D726,075 S \* 4/2015 D'Aluisio ..... D12/111  
D734,692 S \* 7/2015 D'Aluisio ..... D12/111  
D738,261 S \* 9/2015 Silva ..... D12/111  
9,371,105 B2 \* 6/2016 Chou ..... B62K 3/02  
D766,136 S \* 9/2016 Jankura ..... D12/111  
D783,460 S \* 4/2017 Beale ..... D12/111  
2013/0300085 A1 \* 11/2013 Zecchetto ..... B62K 3/02  
280/281.1

\* cited by examiner

*Primary Examiner* — Darlington Ly

(74) *Attorney, Agent, or Firm* — WPAT, P.C., Intellectual Property Attorneys; Anthony King

(57) **CLAIM**

The ornamental design for a frame for an electric bicycle, as shown and described.

**DESCRIPTION**

FIG. 1 is a top, rear, and right-side perspective view of a frame for an electric bicycle showing my new design;

FIG. 2 is a right-side elevation view thereof;

FIG. 3 is a left-side elevation view thereof;

FIG. 4 is a rear elevation view thereof;

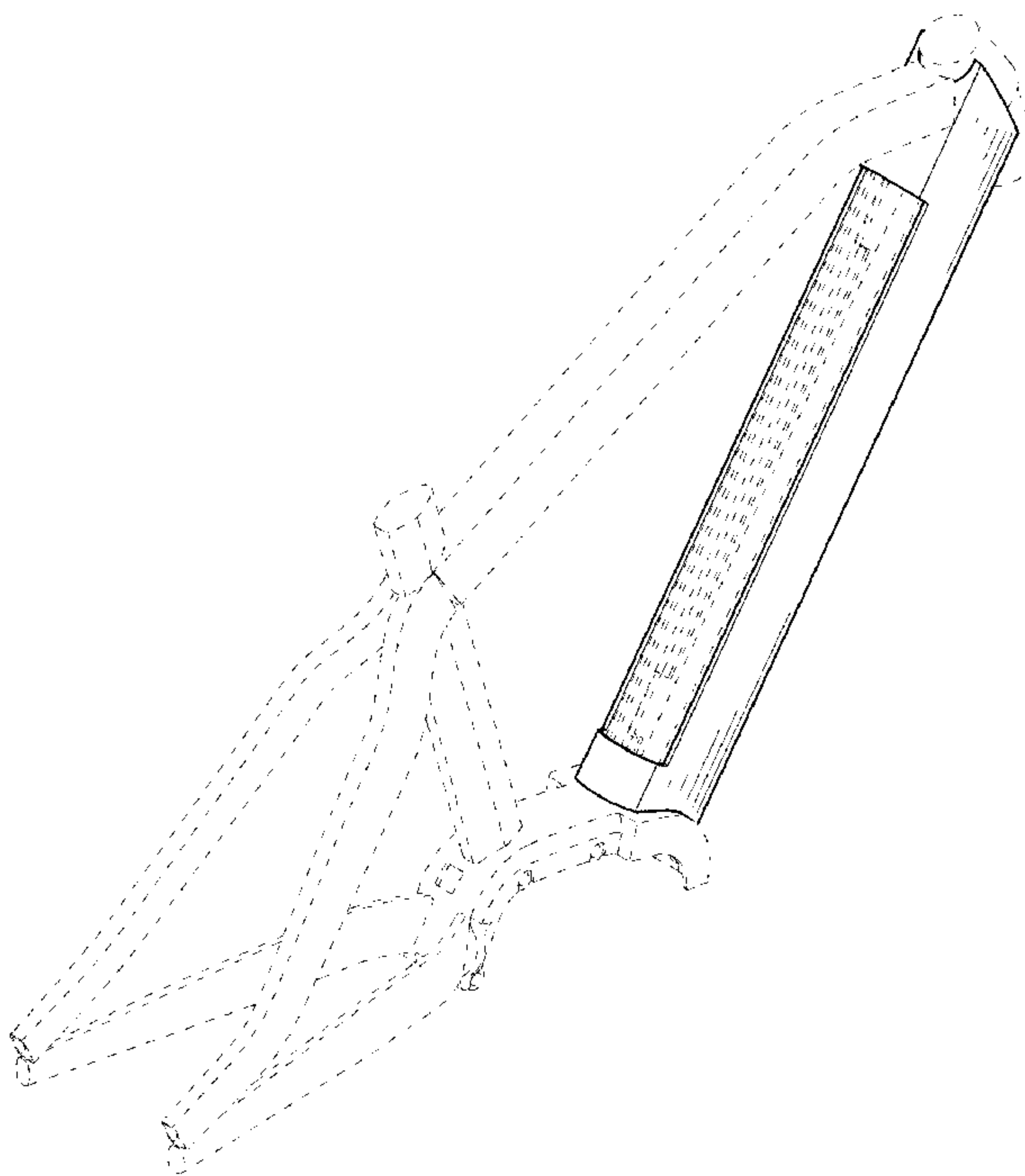
FIG. 5 is a front elevation view thereof;

FIG. 6 is a top plan view thereof; and,

FIG. 7 is a bottom plan view thereof.

The broken lines in the drawings illustrate portions of the frame for an electric bicycle that form no part of the claimed design.

**1 Claim, 7 Drawing Sheets**



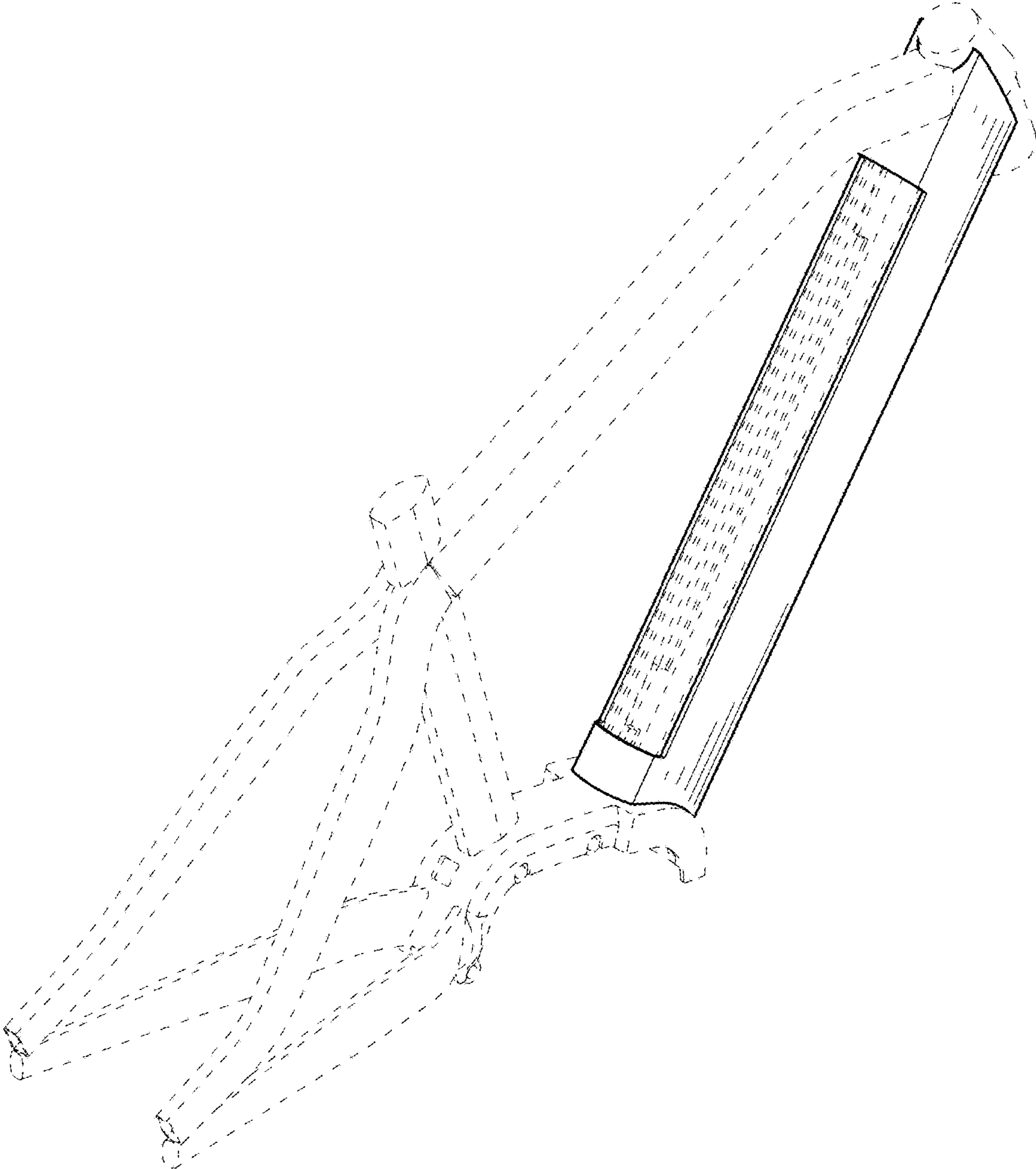


FIG.1

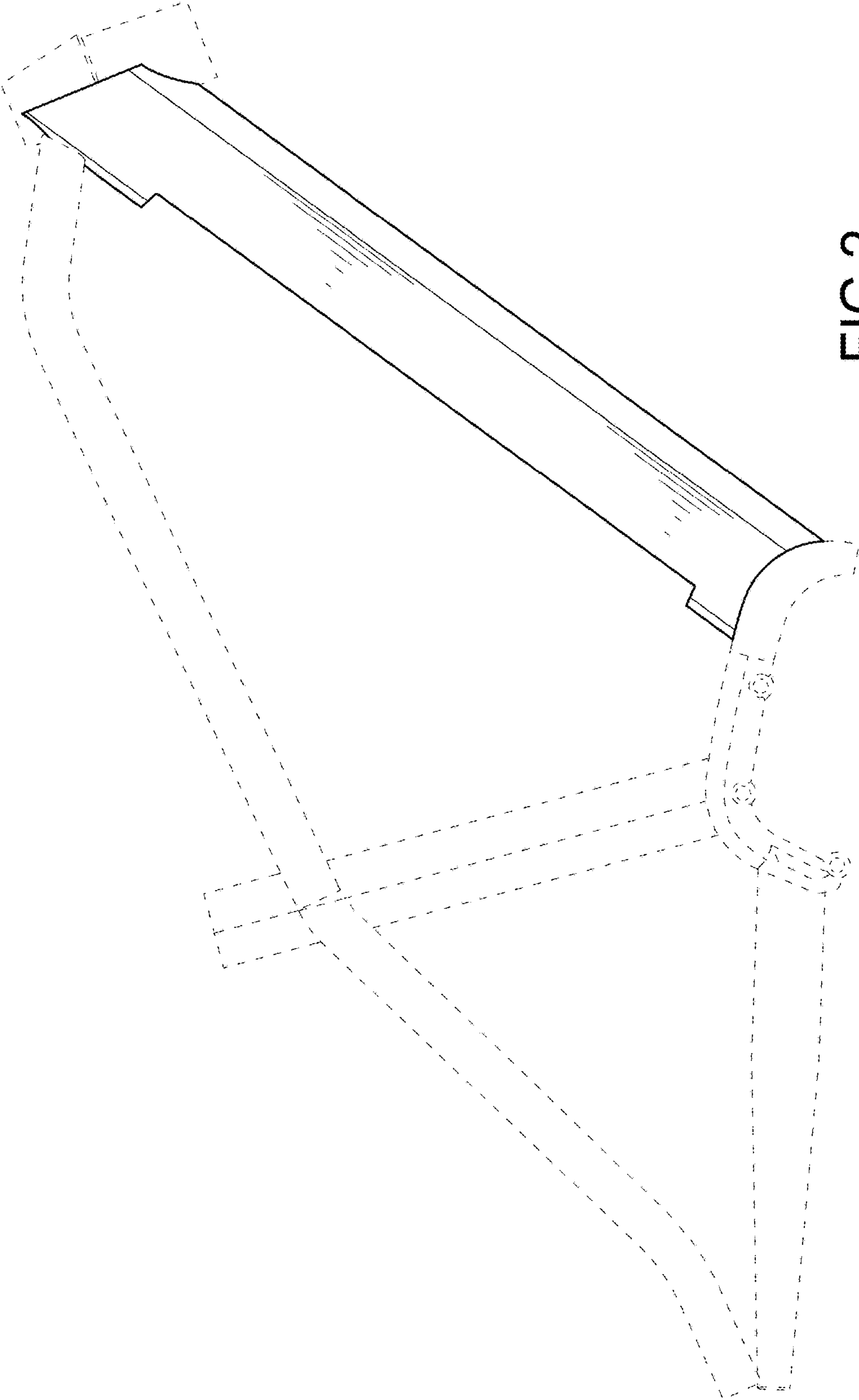


FIG.2

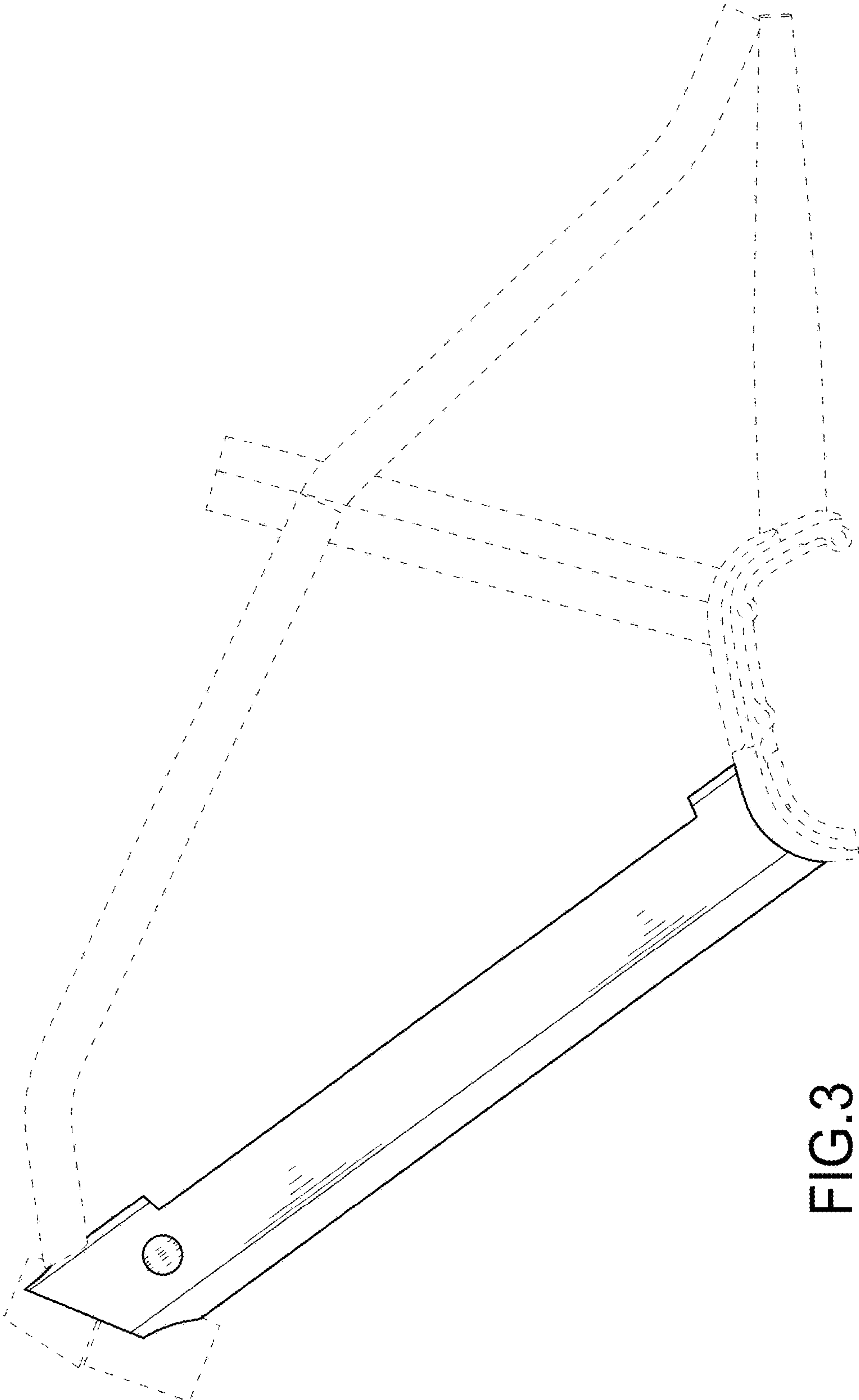


FIG.3

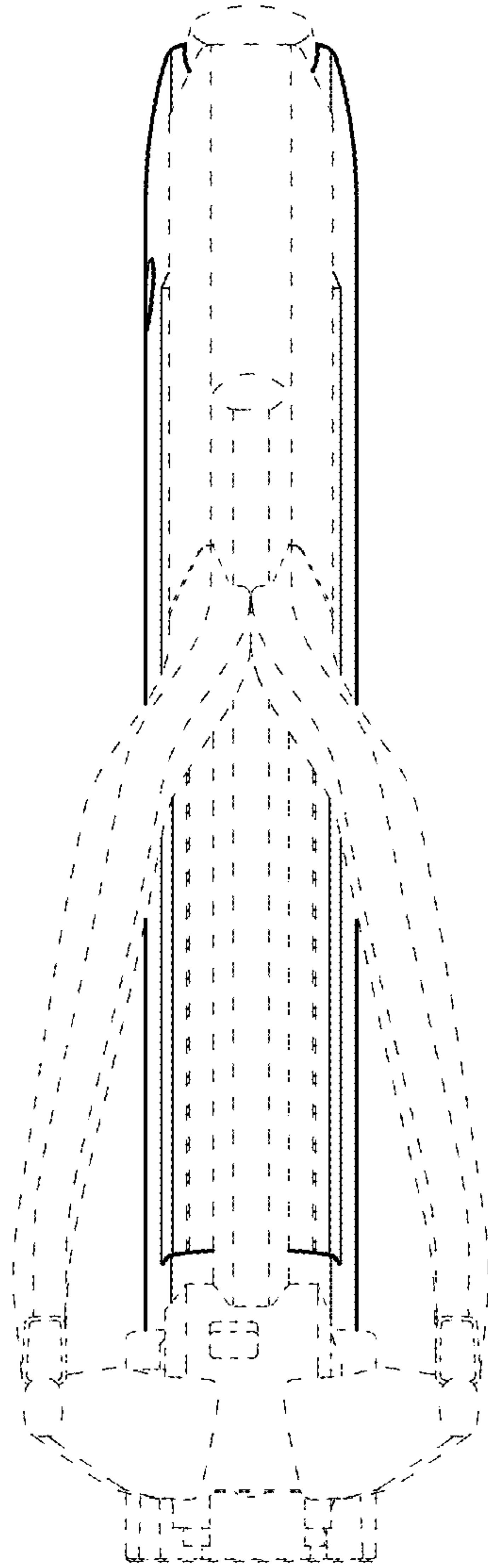


FIG.4

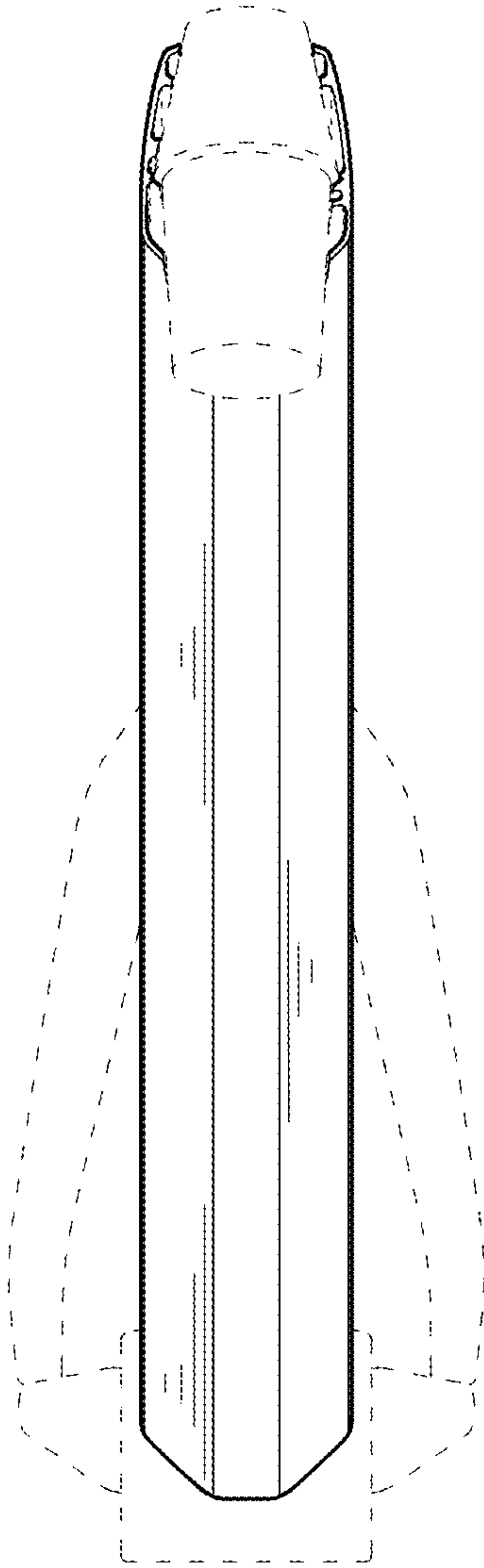


FIG.5

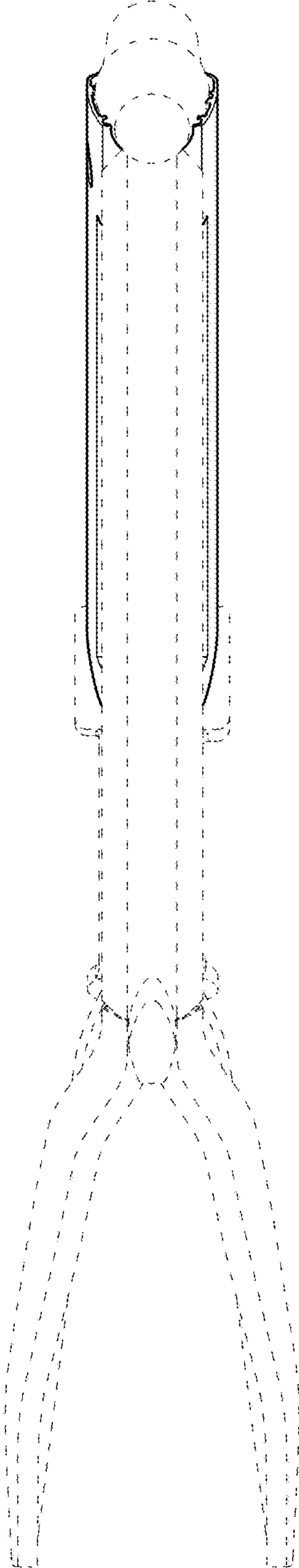


FIG.6



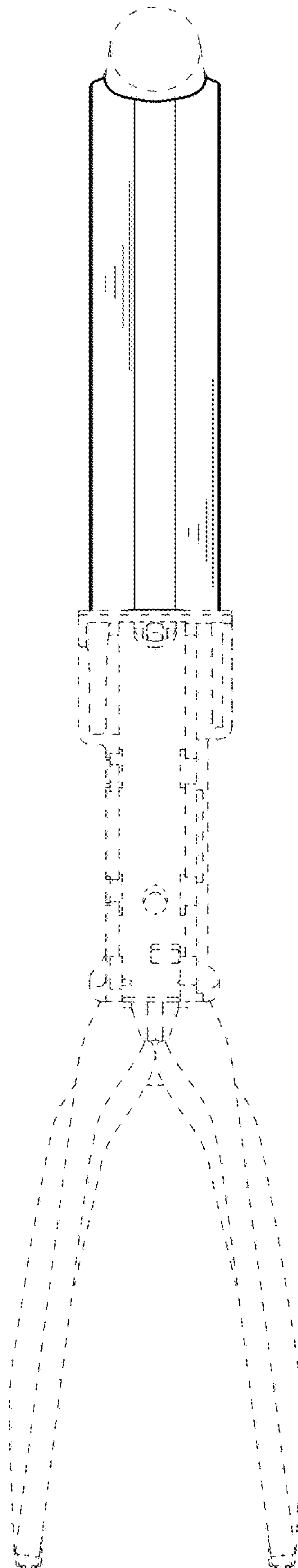


FIG.7