



US00D804991S

(12) **United States Design Patent**
Young et al.

(10) **Patent No.:** **US D804,991 S**

(45) **Date of Patent:** **** Dec. 12, 2017**

(54) **HOT FORGED TIE PLATE FOR RAILROAD**

(71) Applicant: **Yangtze Railroad Materials**, Rosedale, MD (US)

(72) Inventors: **Patrick Young**, Rosedale, MD (US);
Zheng Gu, Rosedale, MD (US)

(73) Assignee: **YANGTZE RAILROAD MATERIALS**, Rosedale, MD (US)

(**) Term: **15 Years**

(21) Appl. No.: **29/575,356**

(22) Filed: **Aug. 24, 2016**

(51) **LOC (10) Cl.** **12-03**

(52) **U.S. Cl.**
USPC **D12/51**

(58) **Field of Classification Search**
USPC D12/36-52
CPC E01B 9/44; E01B 9/40; E01B 9/42; E01B 3/16; E01B 9/486; E01B 9/483; E01B 9/34; E01B 9/02; E01B 9/46; B21J 5/02
See application file for complete search history.

(56) **References Cited**

U.S. PATENT DOCUMENTS

1,817,849	A *	8/1931	Schupp	E01B 9/40 238/304
2,490,962	A *	12/1949	Heyerdahl-Larsen	..	E01B 9/486 238/349
4,141,500	A *	2/1979	Gagnani	E01B 9/483 238/287
4,480,787	A *	11/1984	Okumura	E01B 9/40 238/264
5,522,542	A *	6/1996	Ciecielski	E01B 9/483 238/349

5,782,406	A *	7/1998	Igwemezie	E01B 3/16 238/67
5,823,426	A *	10/1998	Calusinski	E01B 9/40 238/272
D776,004	S *	1/2017	Pisano	D12/51
2004/0155117	A1 *	8/2004	Urmson, Jr.	E01B 9/40 238/287
2008/0121731	A1 *	5/2008	Ollendick	E01B 3/46 238/29
2010/0224690	A1 *	9/2010	Igwemezie	E01B 9/40 238/304
2014/0124588	A1 *	5/2014	Harkness	E01B 9/42 238/287
2014/0144999	A1 *	5/2014	Coats	E01B 9/44 238/287
2016/0305073	A1 *	10/2016	Coats	E01B 9/40

* cited by examiner

Primary Examiner — T. Chase Nelson

Assistant Examiner — Ania Aman

(74) *Attorney, Agent, or Firm* — Na Xu; IPro, PLLC

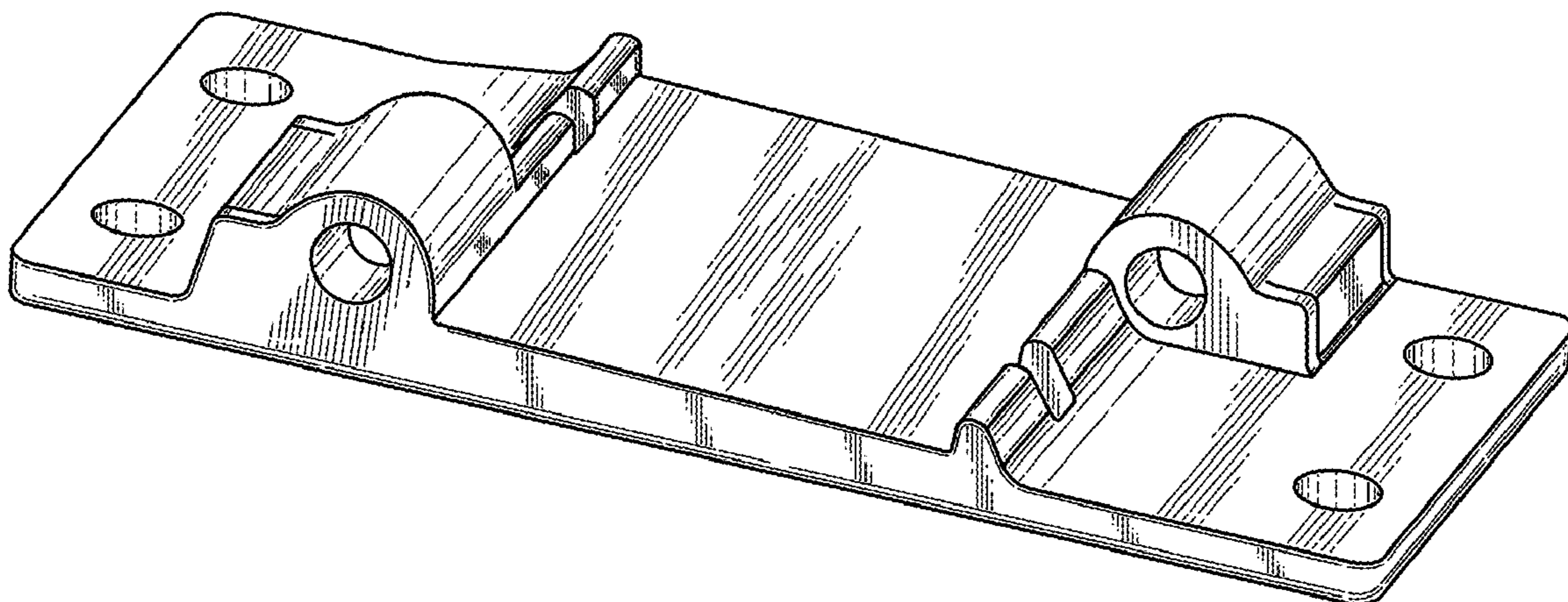
(57) **CLAIM**

The ornamental design for a hot forged tie plate for railroad, as shown and described.

DESCRIPTION

FIG. 1 is a front perspective view of a hot forged tie plate for railroad showing our new design; FIG. 2 is a front elevation view thereof; FIG. 3 is a rear elevation view thereof; FIG. 4 is top plan view thereof; FIG. 5 is a bottom plan view thereof; FIG. 6 is a left elevation view thereof; and, FIG. 7 is a right elevation view thereof.

1 Claim, 4 Drawing Sheets



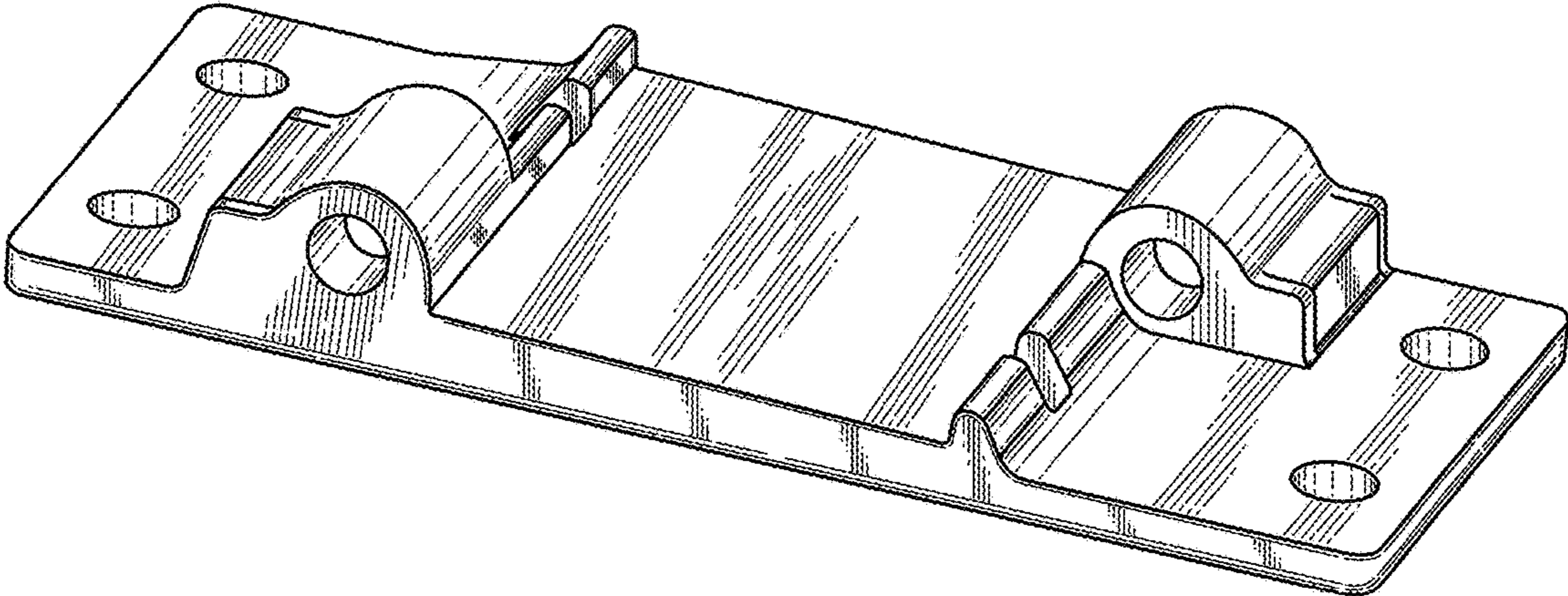


FIG. 1

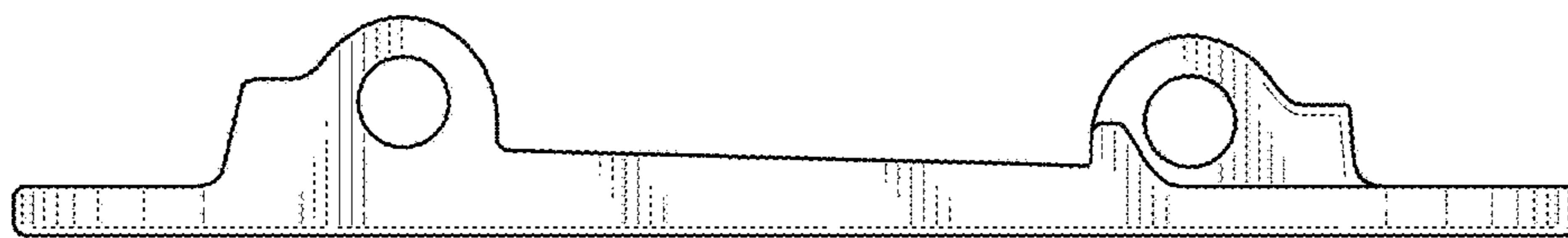


FIG. 2

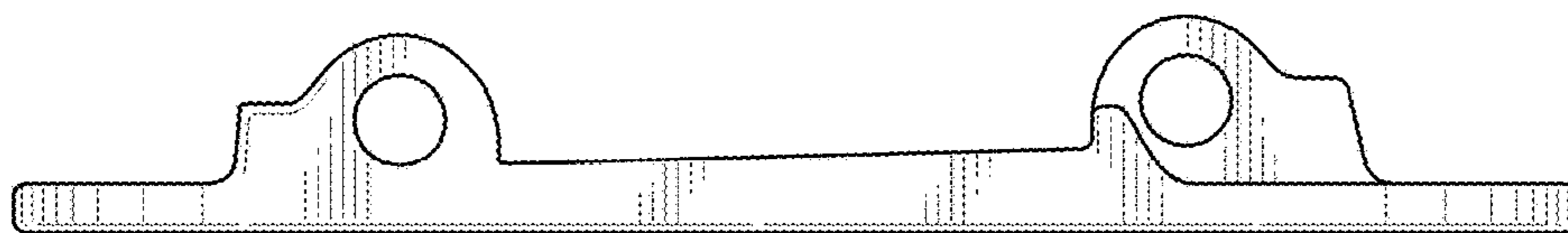


FIG. 3

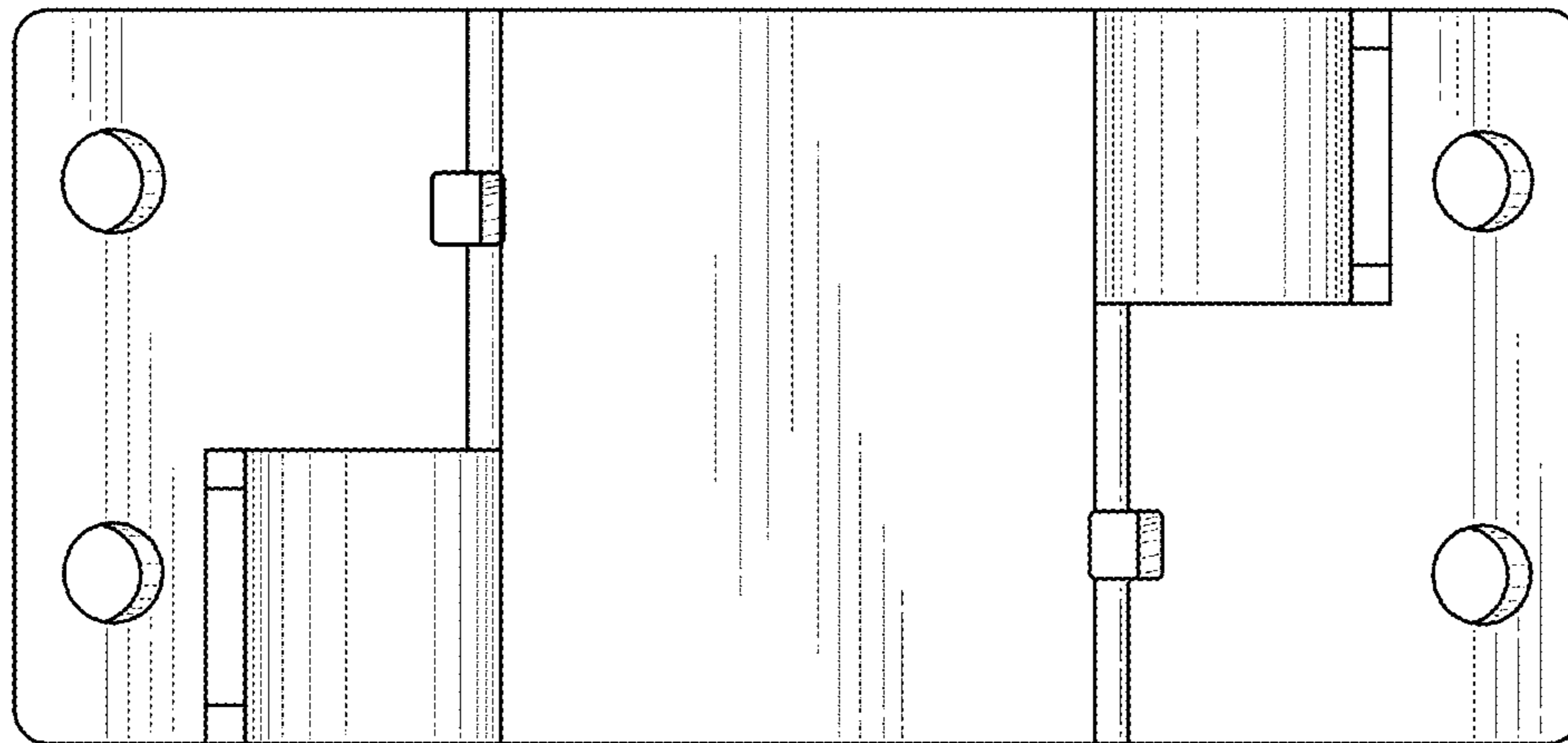


FIG. 4

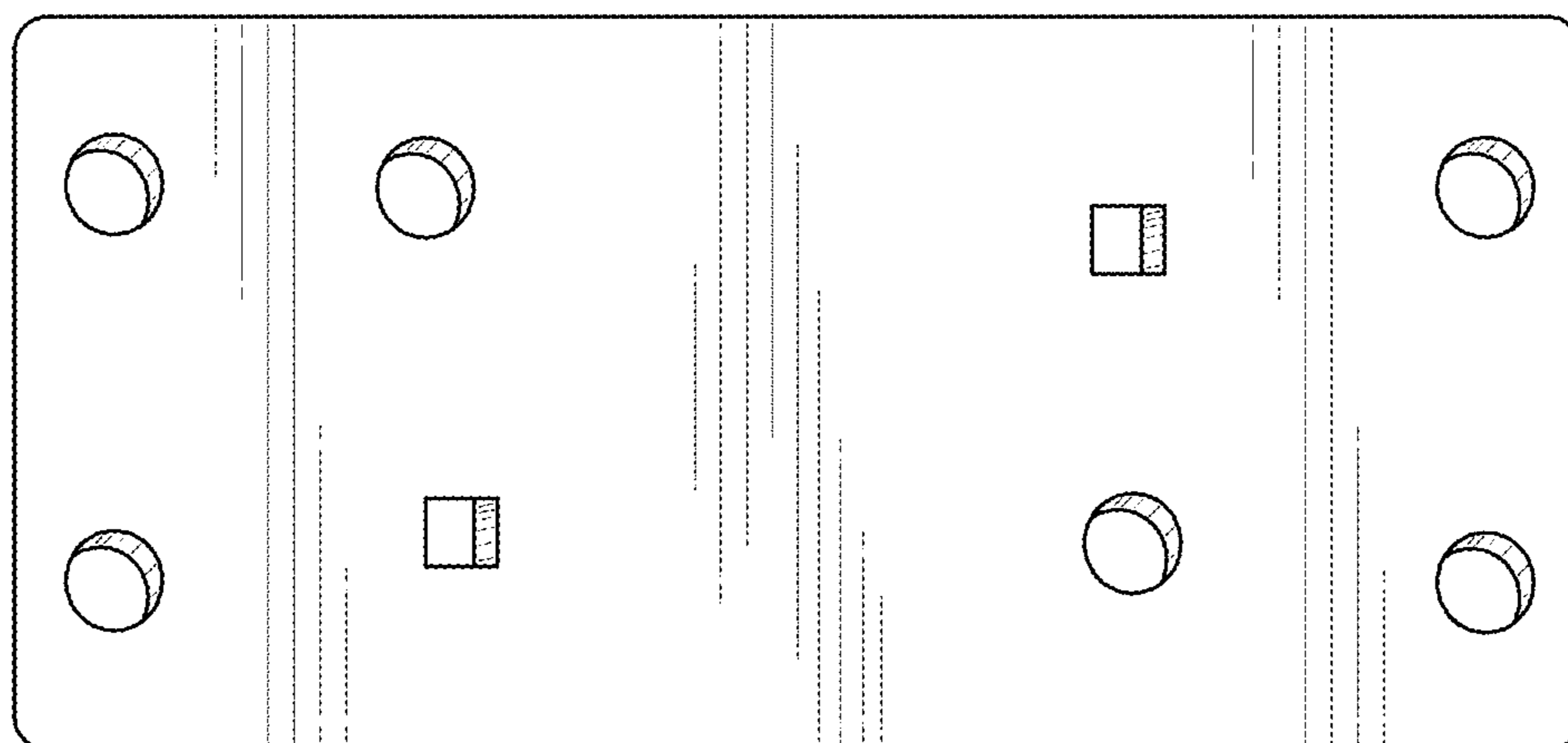


FIG. 5

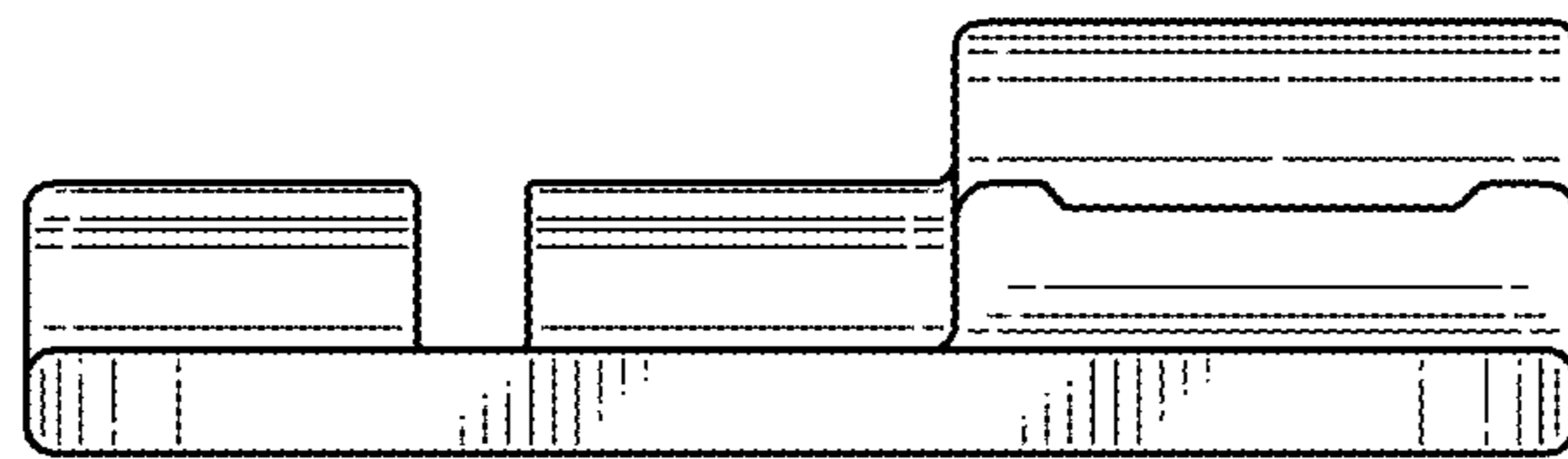


FIG. 6

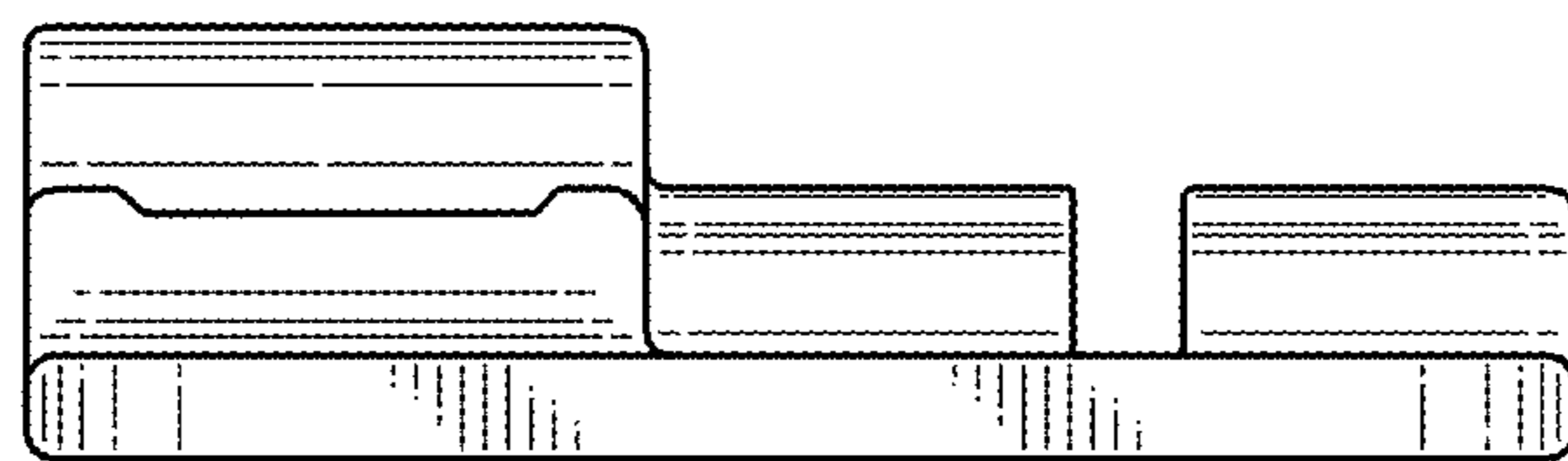


FIG. 7