



US00D804989S

(12) **United States Design Patent**
Hung et al.

(10) **Patent No.:** **US D804,989 S**

(45) **Date of Patent:** **** Dec. 12, 2017**

(54) **SLIDER**

(71) Applicant: **IDEAL FASTENER (GUANGDONG) INDUSTRIES LTD.**, Guangdong (CN)

(72) Inventors: **Franklin Chi Yen Hung**, Guangdong (CN); **Gollen Qiu**, Guangdong (CN); **William Qiu**, Guangdong (CN); **Wenqi Zhang**, Guangdong (CN); **Ali Lv**, Guangdong (CN); **Andy Zeng**, Guangdong (CN); **Fukang Wu**, Guangdong (CN)

(**) Term: **15 Years**

(21) Appl. No.: **29/589,181**

(22) Filed: **Dec. 29, 2016**

(30) **Foreign Application Priority Data**

Jun. 30, 2016 (CN) 2016 3 0296035

(51) **LOC (10) Cl.** **15-07**

(52) **U.S. Cl.**
USPC **D11/221**

(58) **Field of Classification Search**
USPC D11/200–201, 221; 24/381–383,
24/385–387, 414–431, 4, 412; D2/641;
294/3.6

CPC A44B 19/00; A44B 19/02; A44B 19/04;
A44B 19/10; A44B 19/24; A44B 19/26;
A44B 19/30; A44B 19/06

See application file for complete search history.

(56) **References Cited**

U.S. PATENT DOCUMENTS

4,525,903 A * 7/1985 Ishii A44B 19/26
24/429
4,823,447 A * 4/1989 Akashi A44B 19/262
24/419
4,928,358 A * 5/1990 Ishii A44B 19/262
24/419

4,976,015 A * 12/1990 Ishii A44B 19/262
24/419
4,985,969 A * 1/1991 Terada A44B 19/262
24/419
D437,805 S * 2/2001 Yoneoka D11/221
D499,668 S * 12/2004 Iwase D11/221

(Continued)

FOREIGN PATENT DOCUMENTS

CN 202919204 * 5/2013 A44B 19/26

OTHER PUBLICATIONS

ZipperStop Wholesale Authorized Distributor YKK Sale Zipper Sliders, Amazon.com, [online], [site visited Sep. 19, 2017]. <URL: https://www.amazon.com/ZipperStop-Wholesale-Authorized-Distributor-YKK/dp/B00DTVPLMY/ref=sr_1_12?ie=UTF8&qid=1505851191&sr=8-12&keywords=zipper+sliders+22 (Year: 2017).*

(Continued)

Primary Examiner — T. Chase Nelson

Assistant Examiner — Jonathan J. Han

(74) *Attorney, Agent, or Firm* — Prakash Nama; Global IP Services, PLLC

(57) **CLAIM**

The ornamental design for a slider, as shown.

DESCRIPTION

FIG. 1 is a front elevational view of a slider showing our new design;

FIG. 2 is a rear elevational view thereof;

FIG. 3 is a left side view thereof;

FIG. 4 is a right side view thereof;

FIG. 5 is a top plan view thereof;

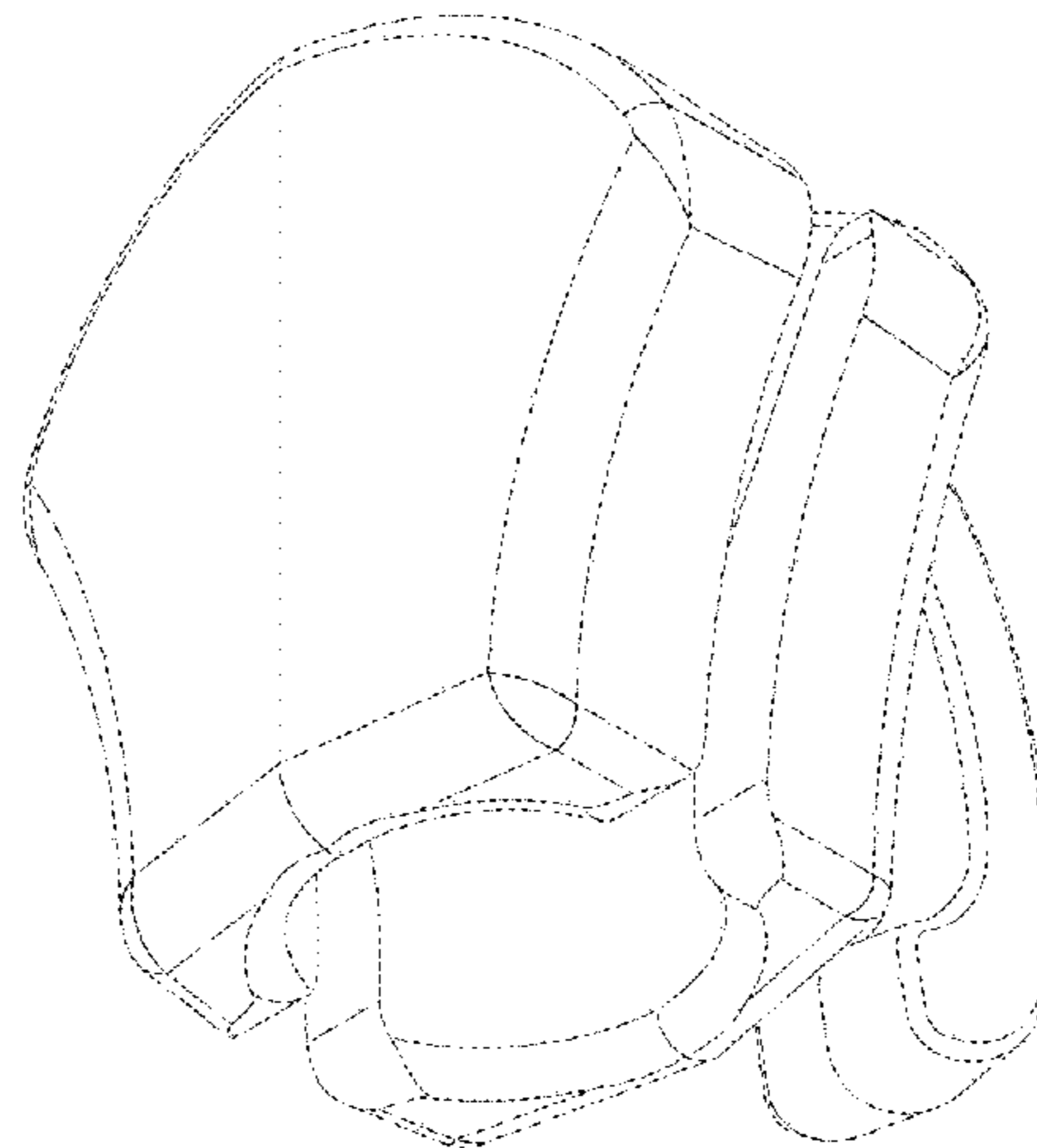
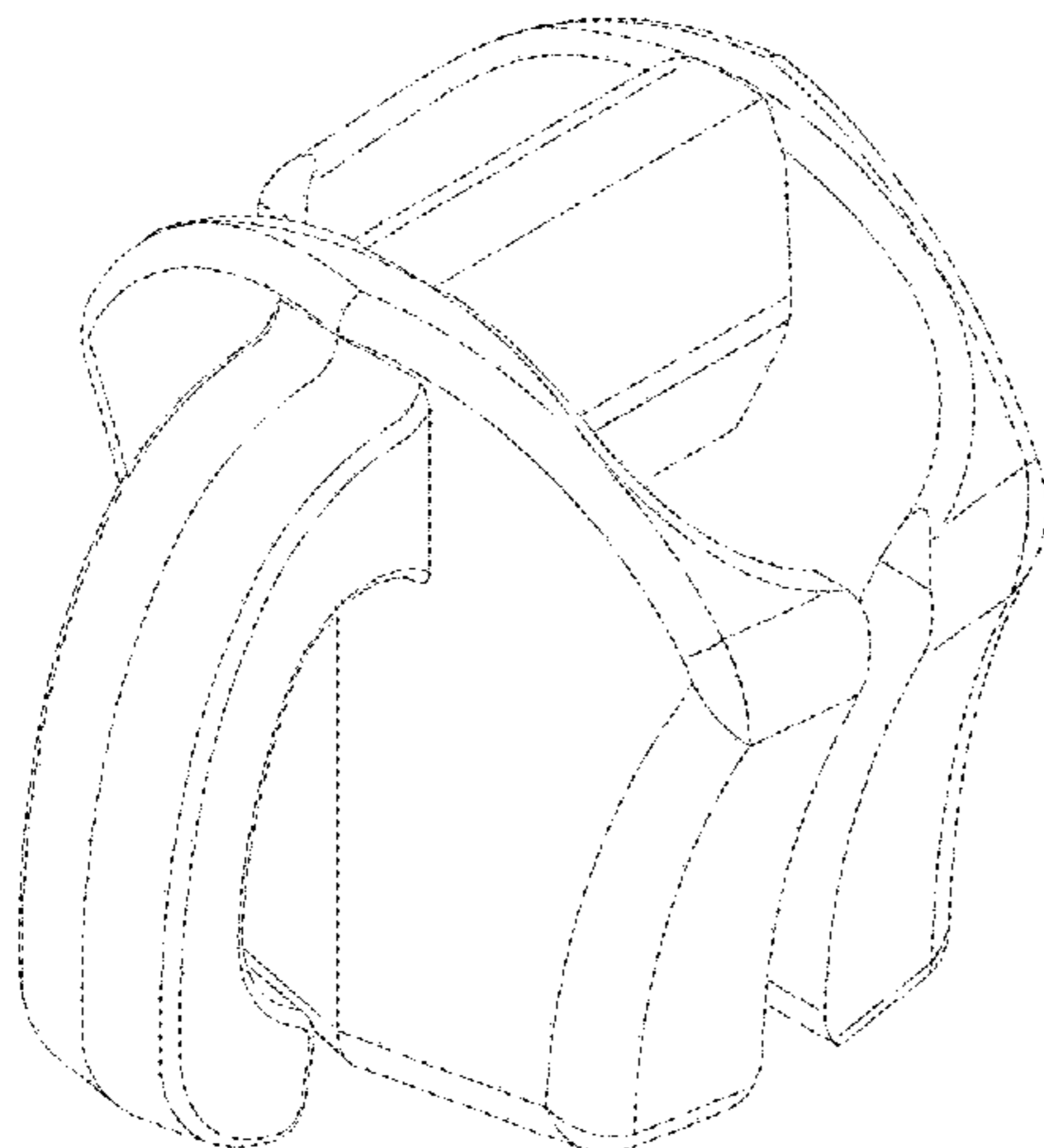
FIG. 6 is a bottom plan view thereof;

FIG. 7 is a perspective view thereof;

FIG. 8 is a second perspective view thereof; and,

FIG. 9 is a third perspective view thereof.

1 Claim, 9 Drawing Sheets



(56)

References Cited

U.S. PATENT DOCUMENTS

D558,091 S * 12/2007 Cossutti D11/221
 D612,292 S * 3/2010 Miyazaki D11/221
 D631,790 S * 2/2011 Keyaki D11/221
 D643,336 S * 8/2011 Di Girolami D11/221
 D655,645 S * 3/2012 Gut D11/221
 D673,480 S * 1/2013 Keyaki D11/221
 D705,124 S * 5/2014 Wang D11/221
 D706,675 S * 6/2014 Saitsu D11/221
 D741,750 S * 10/2015 Ng D11/221
 9,226,550 B1 * 1/2016 Lin A44B 19/262
 9,370,225 B1 * 6/2016 Lin A44B 19/26
 9,687,050 B2 * 6/2017 Lin A44B 19/26
 2004/0020018 A1 * 2/2004 Tsauro A44B 19/36
 24/436
 2004/0163219 A1 * 8/2004 Wu A44B 19/262
 24/429
 2009/0106952 A1 * 4/2009 Lin A44B 19/308
 24/418
 2009/0113676 A1 * 5/2009 Chung A44B 19/06
 24/406
 2009/0313793 A1 * 12/2009 Lin A44B 19/26
 24/429

2013/0318751 A1 * 12/2013 Lin A44B 19/42
 24/429
 2015/0189954 A1 * 7/2015 Yoneoka A44B 19/26
 24/428
 2015/0223572 A1 * 8/2015 Wang A44B 19/26
 24/428
 2015/0321399 A1 * 11/2015 Hong A44B 1/02
 524/539
 2016/0095393 A1 * 4/2016 Lin A44B 19/26
 24/403
 2016/0135552 A1 * 5/2016 Li A44B 19/308
 24/424

OTHER PUBLICATIONS

Coil Zipper Slider Non Lock, Alibaba.com, [online], [site visited Sep. 19, 2017]. <URL: https://www.alibaba.com/product-detail/coil-zipper-slider-non-lock_506267761.html> (Year: 2017).*

Zipper Slider Replacement #5 Easy-setting, Etsy.com, [online], [site visited Sep. 19, 2017]. <URL: <https://www.etsy.com/listing/200546961/>> (Year: 2017).*

* cited by examiner

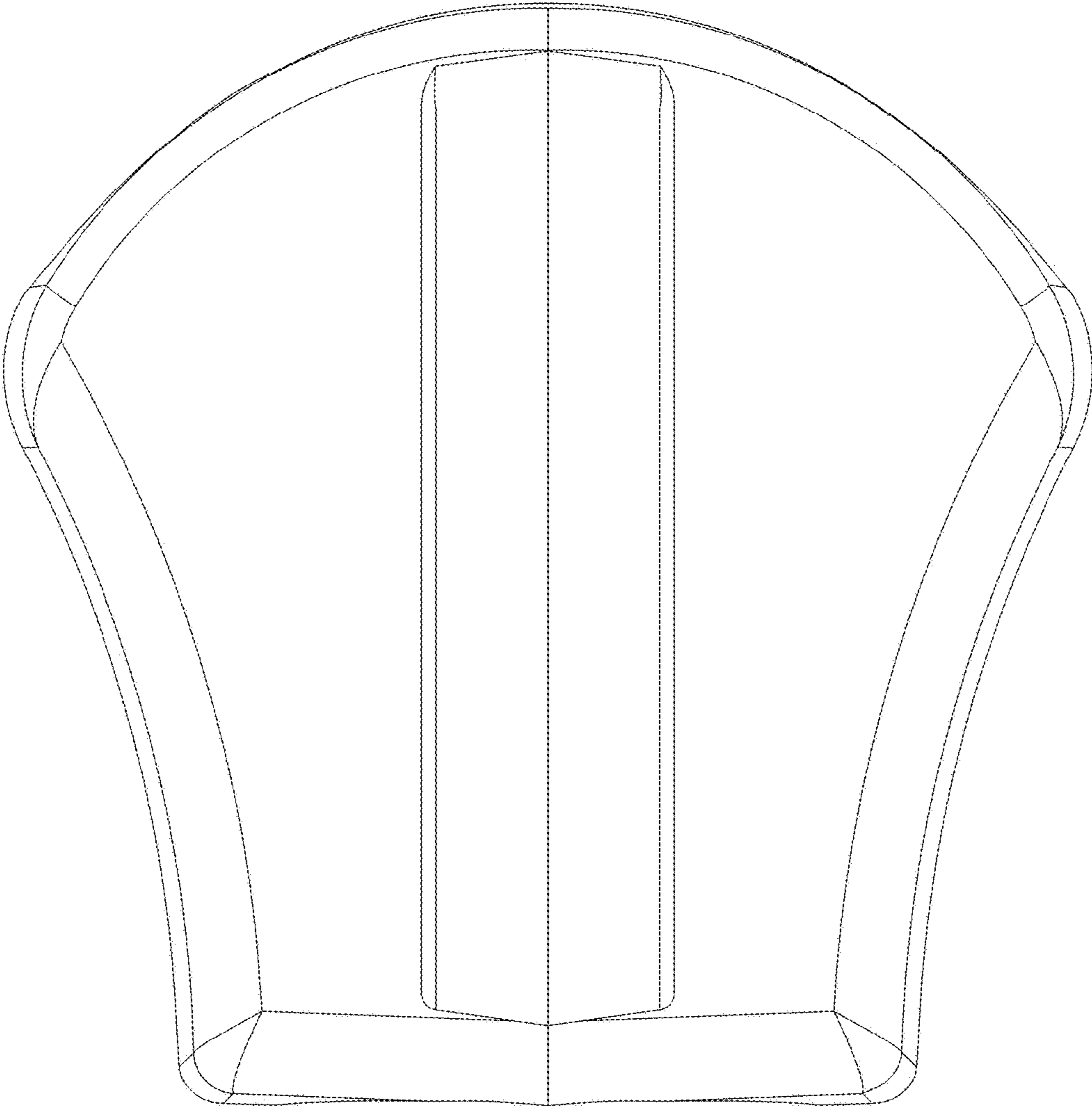


FIG. 1

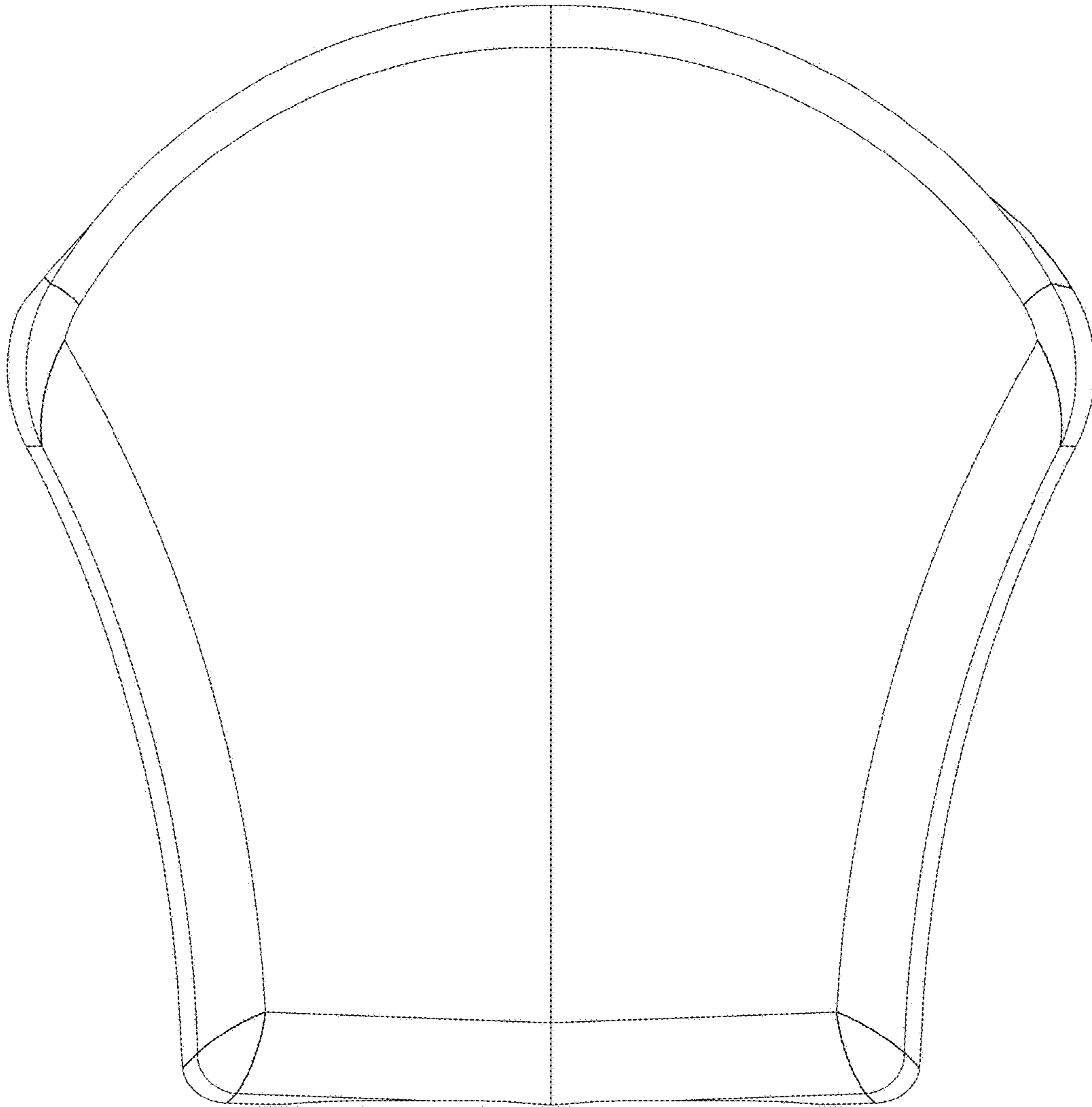


FIG. 2

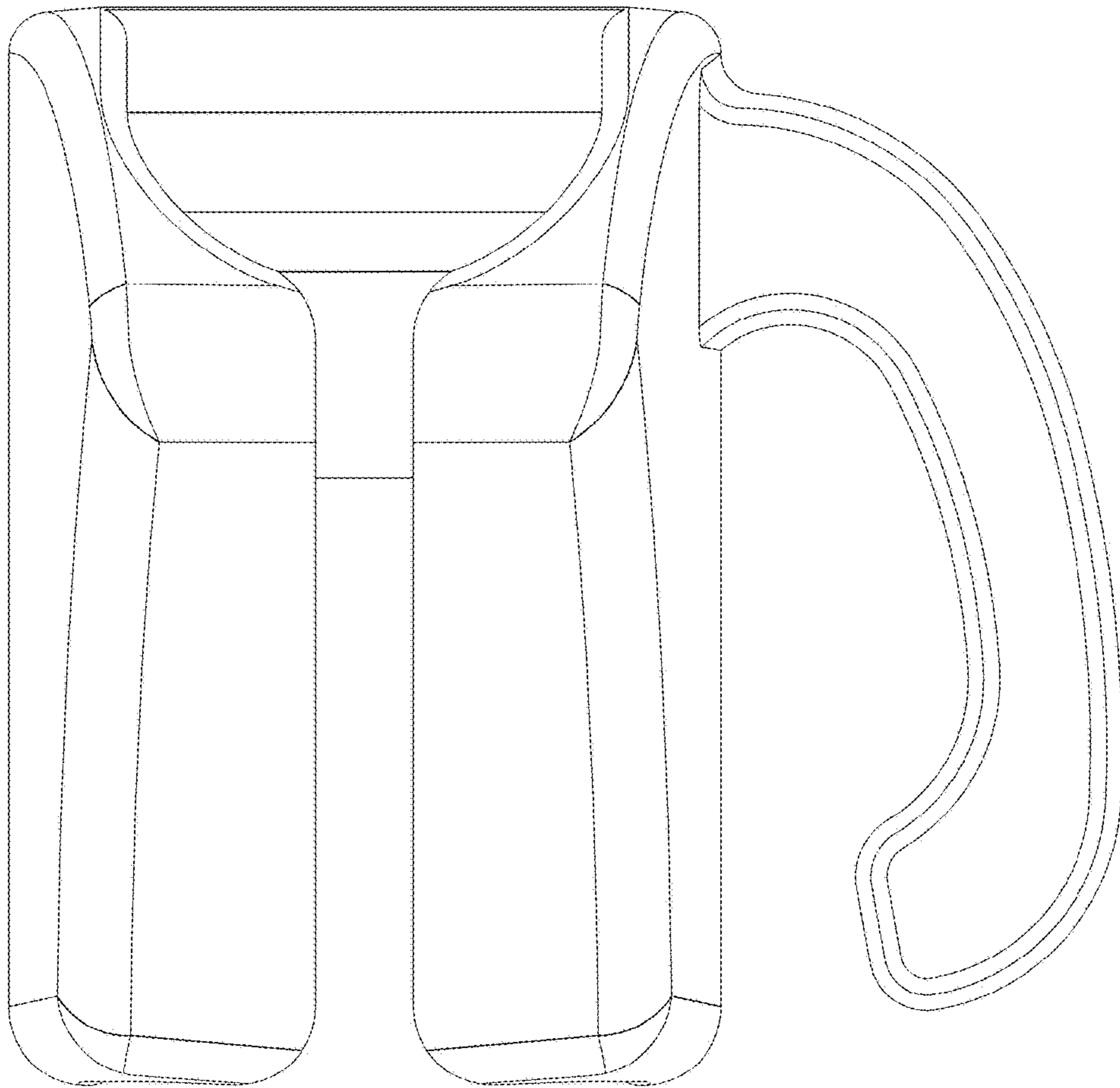


FIG. 3

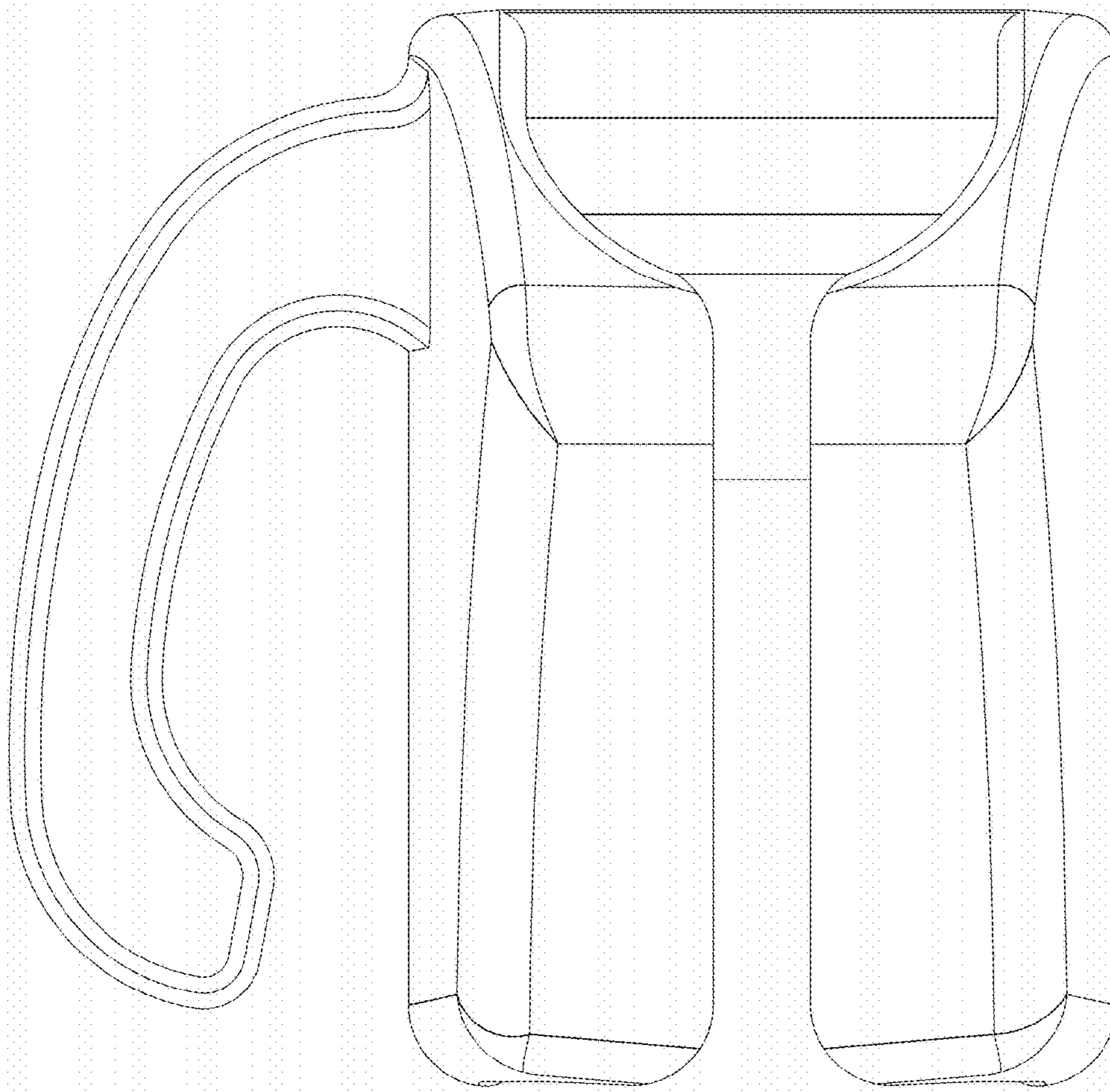


FIG. 4

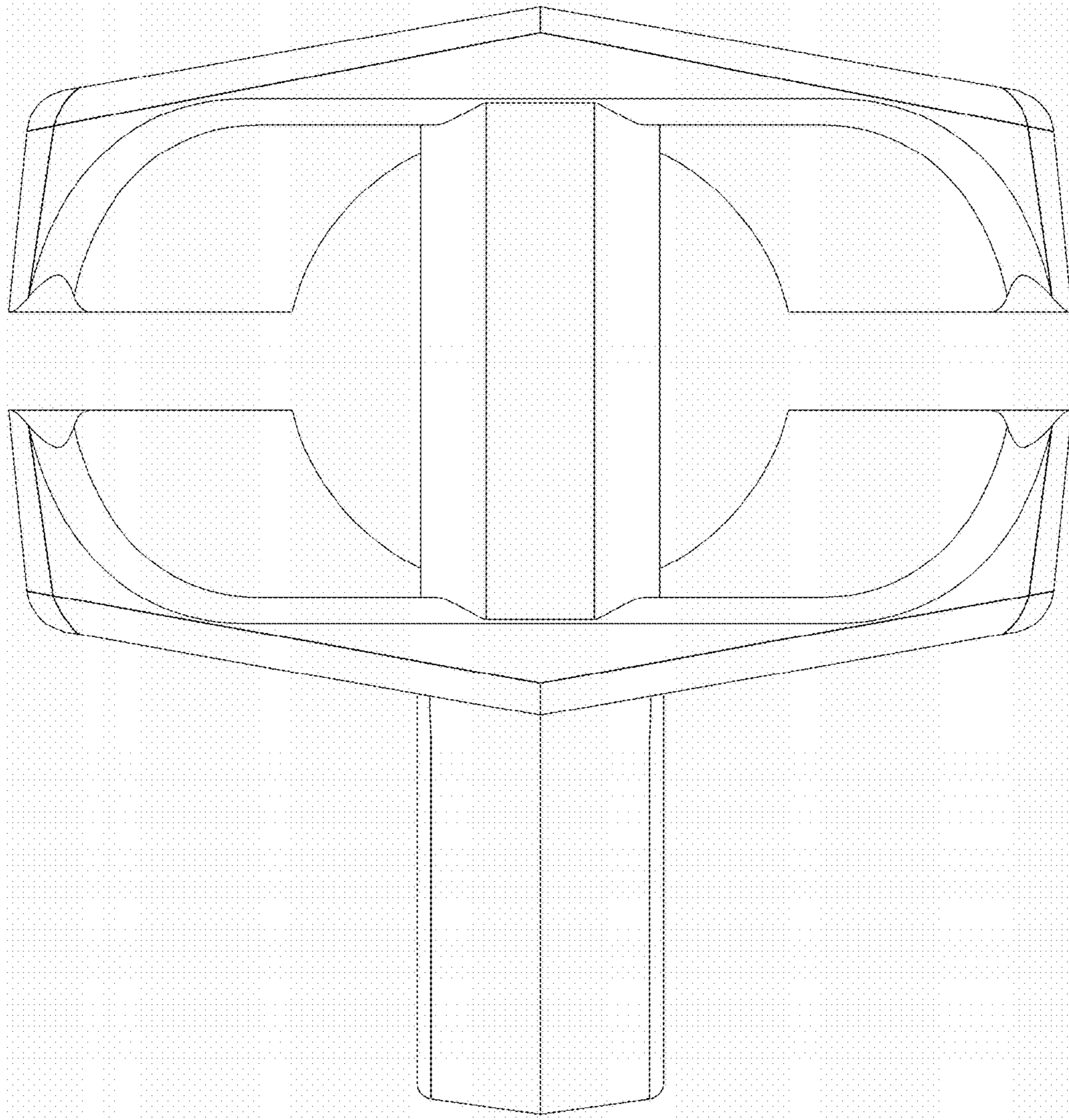


FIG. 5

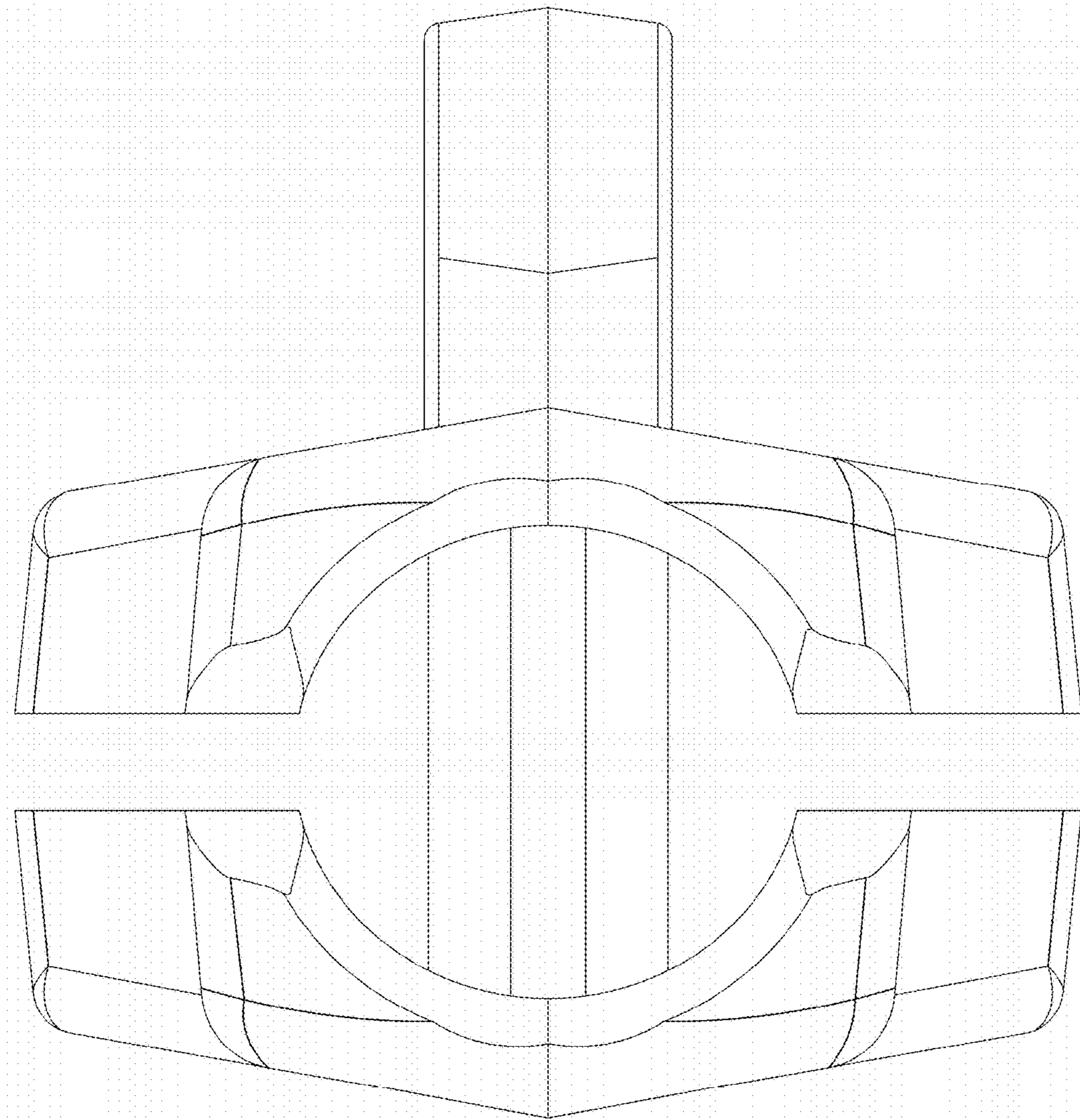


FIG. 6

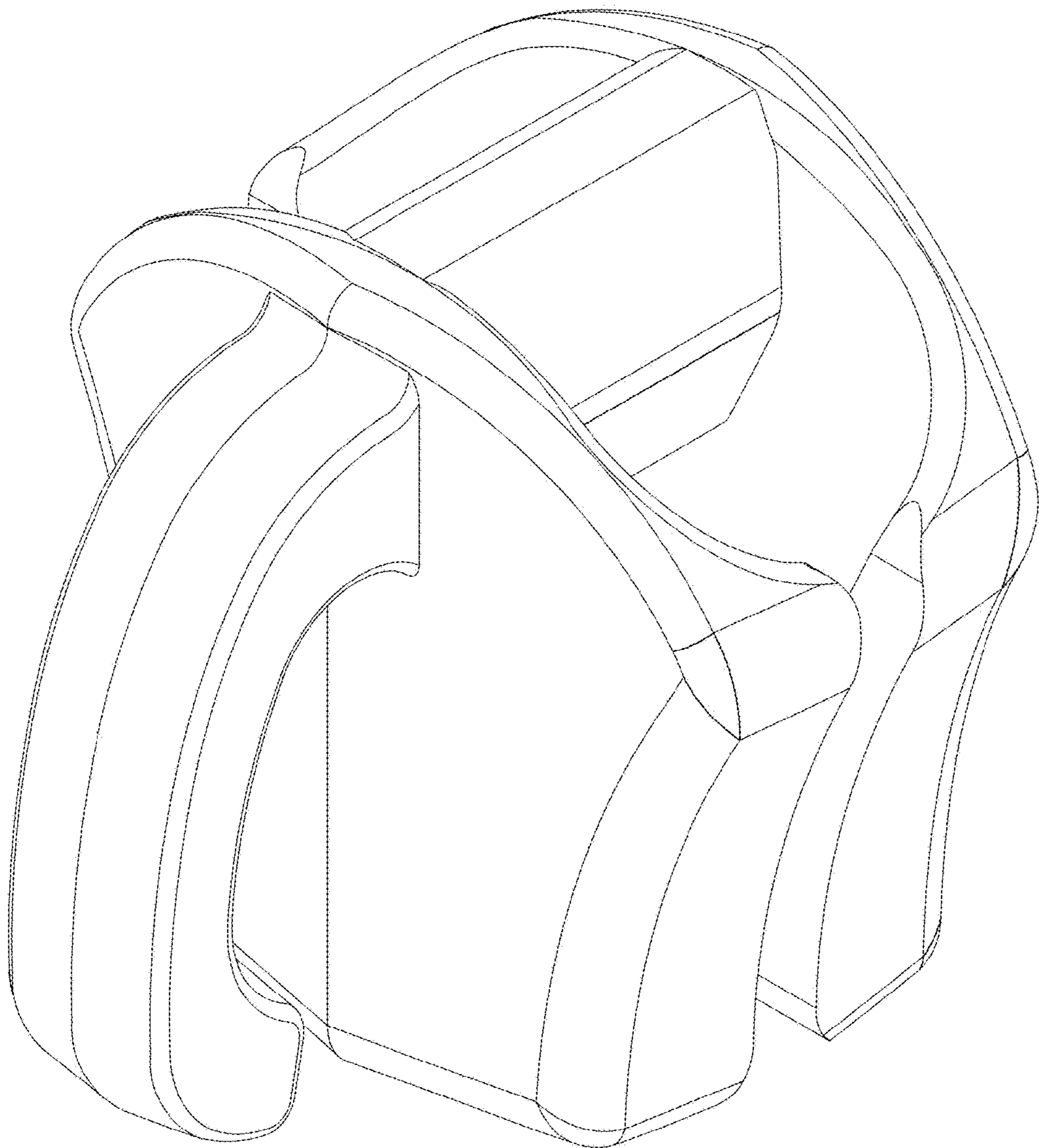


FIG. 7

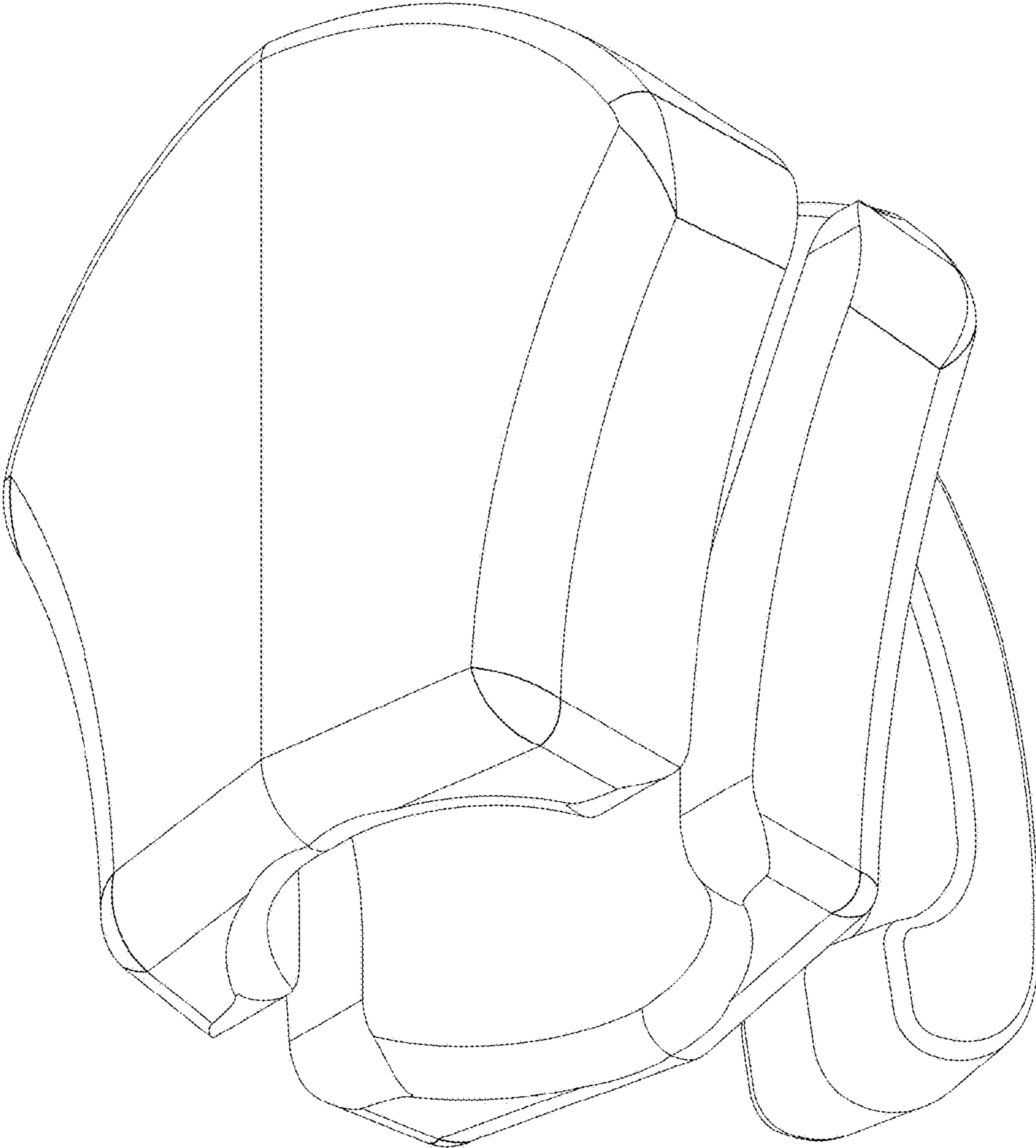


FIG. 8

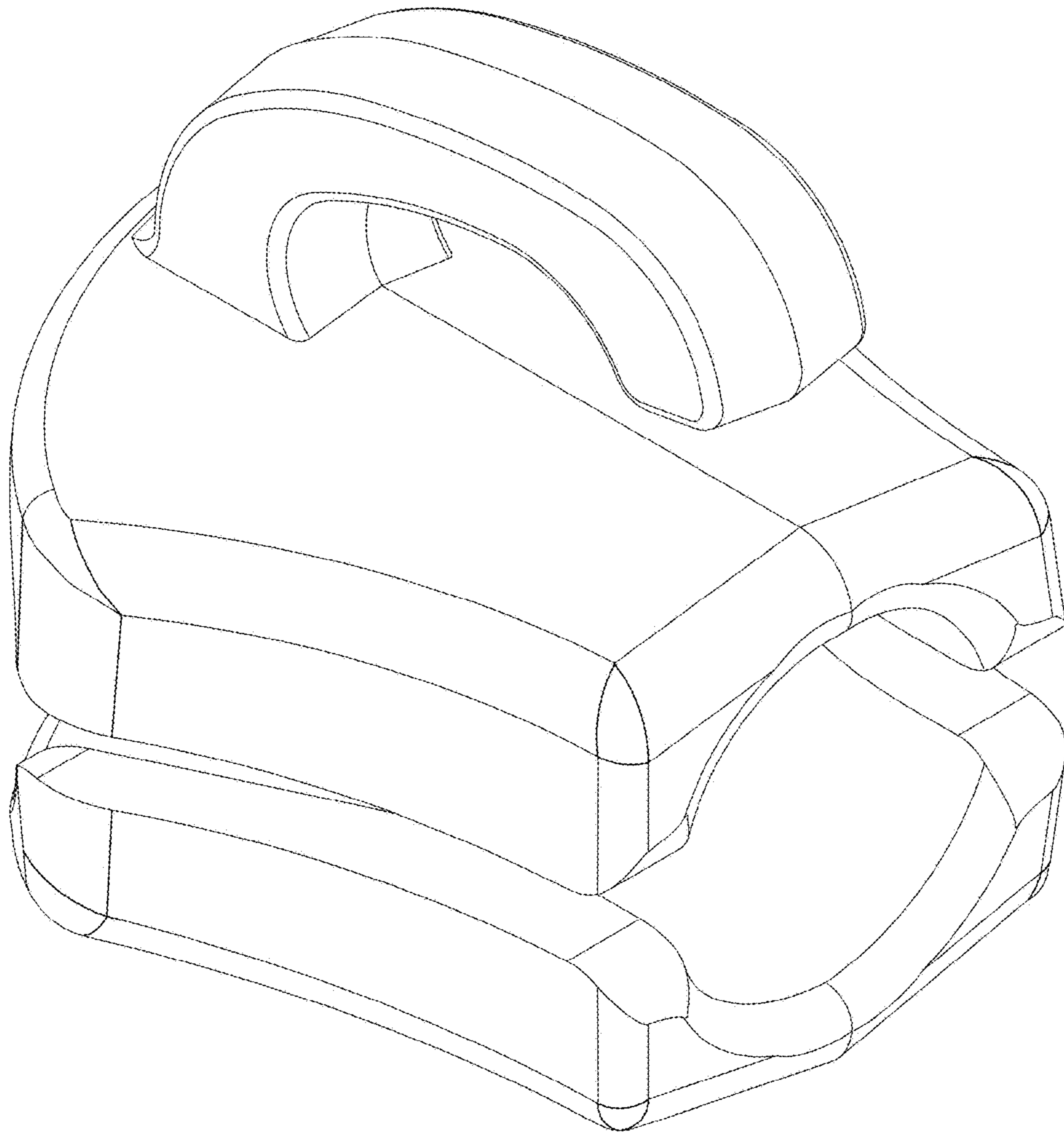


FIG. 9