



US00D804988S

(12) **United States Design Patent**
Hung et al.

(10) **Patent No.:** **US D804,988 S**

(45) **Date of Patent:** **** Dec. 12, 2017**

(54) **SLIDER**

(71) Applicant: **IDEAL FASTENER (GUANGDONG) INDUSTRIES LTD.**, Guangdong (CN)

(72) Inventors: **Franklin Chi Yen Hung**, Guangdong (CN); **Gollen Qiu**, Guangdong (CN); **William Qiu**, Guangdong (CN); **Ali Lv**, Guangdong (CN); **Andy Zeng**, Guangdong (CN); **Fukang Wu**, Guangdong (CN)

(**) Term: **15 Years**

(21) Appl. No.: **29/589,180**

(22) Filed: **Dec. 29, 2016**

(30) **Foreign Application Priority Data**

Aug. 31, 2016 (CN) 2016 3 0458601

(51) **LOC (10) Cl.** **15-07**

(52) **U.S. Cl.**
USPC **D11/221**

(58) **Field of Classification Search**
USPC D11/200–201, 221; 24/381–383,
24/385–387, 414–431, 4, 412; D2/641;
294/3.6

CPC A44B 19/00; A44B 19/02; A44B 19/04;
A44B 19/10; A44B 19/24; A44B 19/26;
A44B 19/30; A44B 19/06

See application file for complete search history.

(56) **References Cited**

U.S. PATENT DOCUMENTS

2,048,636 A * 7/1936 Kotowski A44B 19/306
24/421
2,634,486 A * 4/1953 Morin A44B 19/305
24/419
3,793,684 A * 2/1974 Moertel A44B 19/26
24/421

4,074,399 A * 2/1978 Kedzierski A44B 19/306
24/425
4,081,883 A * 4/1978 Ishii A44B 19/306
24/421
4,422,220 A * 12/1983 Oda A44B 19/306
24/421
D314,360 S * 2/1991 Minami D11/221
5,632,070 A * 5/1997 Wakabayashi

(Continued)

FOREIGN PATENT DOCUMENTS

CN 105747398 * 7/2016 A44B 19/30

OTHER PUBLICATIONS

Flatlock Plastic Coated Pull, LenZip.com, [online], [site visited Sep. 19, 2017]. <URL: http://www.lenzip.com/slider/coil_sliders.aspx> (Year: 2017).*

(Continued)

Primary Examiner — T. Chase Nelson

Assistant Examiner — Jonathan J. Han

(74) *Attorney, Agent, or Firm* — Prakash Nama; Global IP Services, PLLC

(57) **CLAIM**

The ornamental design for a slider, as shown.

DESCRIPTION

FIG. 1 is a front elevational view of a slider showing our new design;

FIG. 2 is a rear elevational view thereof;

FIG. 3 is a left side view thereof;

FIG. 4 is a right side view thereof;

FIG. 5 is a top plan view thereof;

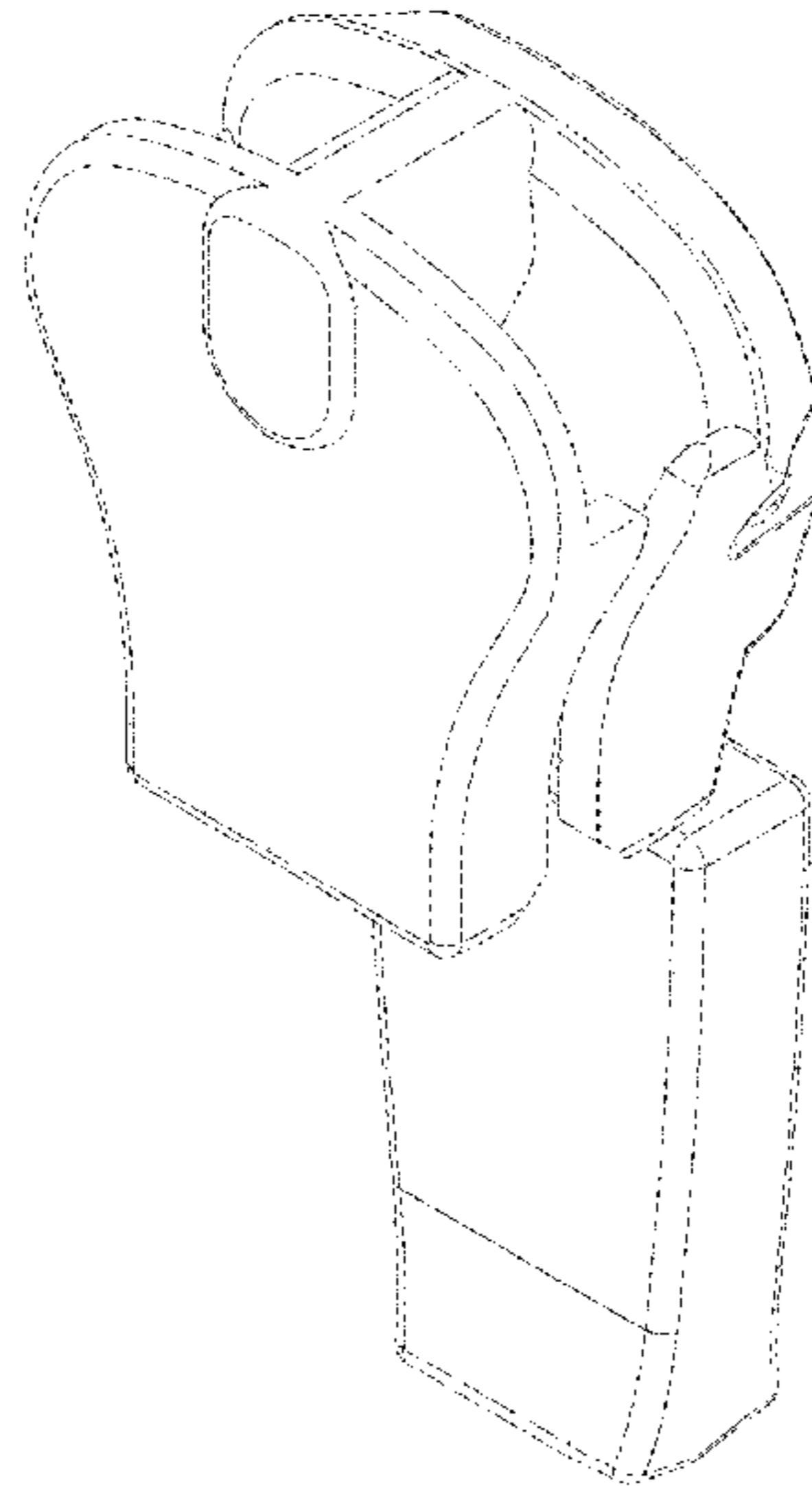
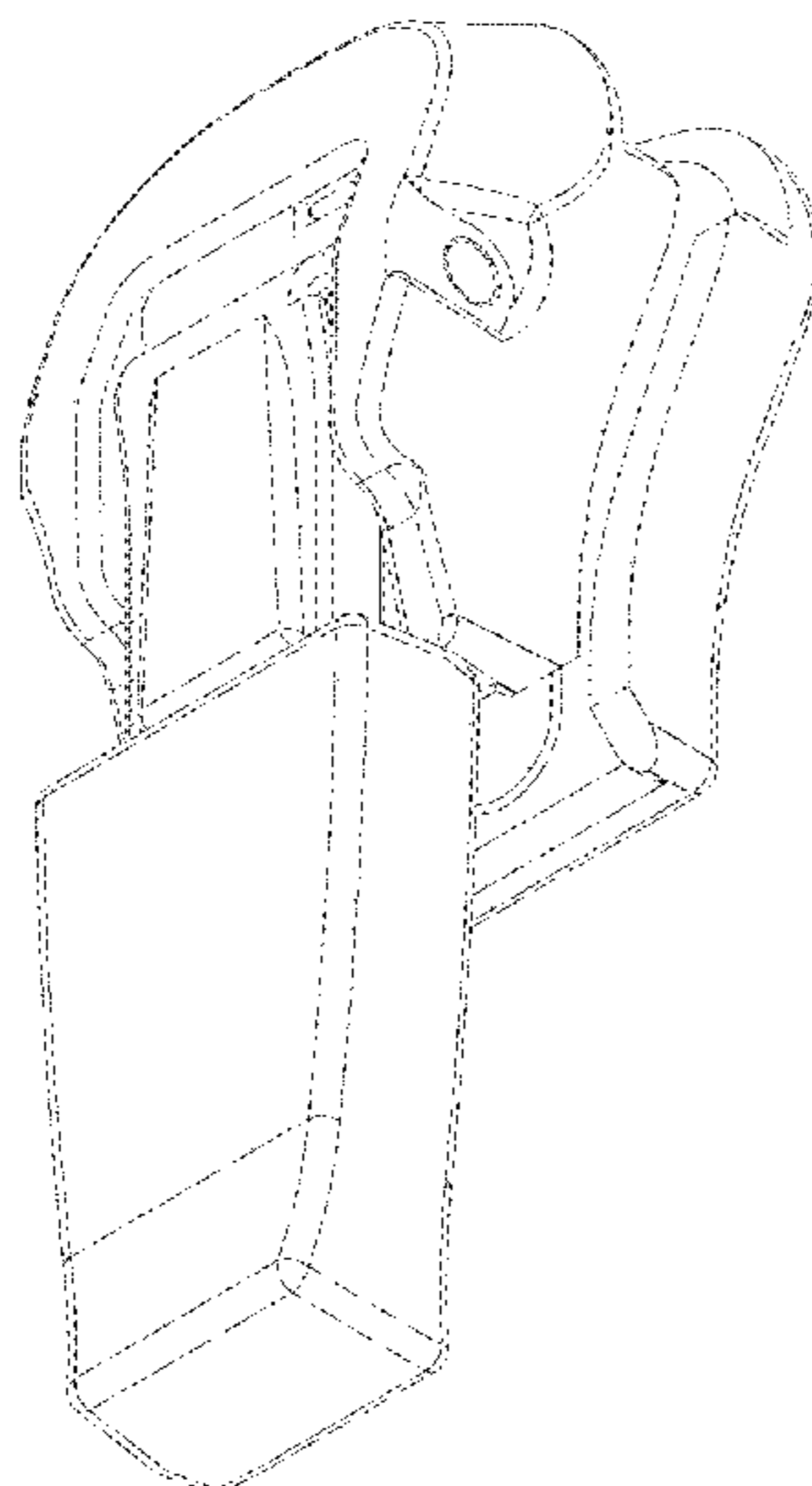
FIG. 6 is a bottom plan view thereof;

FIG. 7 is a perspective view thereof;

FIG. 8 is a second perspective view thereof; and,

FIG. 9 is a third perspective view thereof.

1 Claim, 8 Drawing Sheets



(56)

References Cited

U.S. PATENT DOCUMENTS

6,237,199 B1 * 5/2001 Chou Wang A44B 19/26
24/421
D471,134 S * 3/2003 Yoneoka D11/221
D473,821 S * 4/2003 Yoneoka D11/221
6,637,078 B2 * 10/2003 Nagata A44B 19/306
24/419
D497,570 S * 10/2004 Iwase D11/221
D511,314 S * 11/2005 Hamada D11/221
D612,292 S * 3/2010 Miyazaki D11/221
D627,259 S * 11/2010 Miyazaki D11/221
D643,776 S * 8/2011 Keyaki D11/221
D671,864 S * 12/2012 Keyaki D11/221
8,453,302 B2 * 6/2013 Keyaki A44B 19/262
24/419
D778,780 S * 2/2017 Wang D11/221
D778,781 S * 2/2017 Wang D11/221
2002/0152591 A1 * 10/2002 Nagata A41F 1/002
24/303
2003/0182774 A1 * 10/2003 Lin A44B 19/305
24/436
2008/0282518 A1 * 11/2008 Lee A41H 37/003
24/389

2009/0313793 A1 * 12/2009 Lin A44B 19/26
24/429
2011/0197403 A1 * 8/2011 Keyaki A44B 19/306
24/418
2011/0258818 A1 * 10/2011 Keyaki A44B 19/262
24/429
2012/0260469 A1 * 10/2012 Yamamoto A44B 19/306
24/419
2014/0130315 A1 * 5/2014 Keyaki A44B 19/306
24/585.1
2016/0157566 A1 * 6/2016 Lin
2017/0071294 A1 * 3/2017 Ozawa A44B 19/262
2017/0224062 A1 * 8/2017 Hsu A44B 19/305

OTHER PUBLICATIONS

Zipper Slider, ChinaIndustry.Manufacturer.GlobalSources.com, [online], [site visited Sep. 19, 2017]. <URL: <http://chinaindustry.manufacturer.globalsources.com/si/6008841685285/>> (Year: 2017).*

Semi-lock slider & spring slider, SAAzipper.com, [online], [site visited Sep. 19, 2017]. <URL: <http://www.saa zipper.com/semi-lock-slider-spring-slider.html>> (Year: 2017).*

* cited by examiner

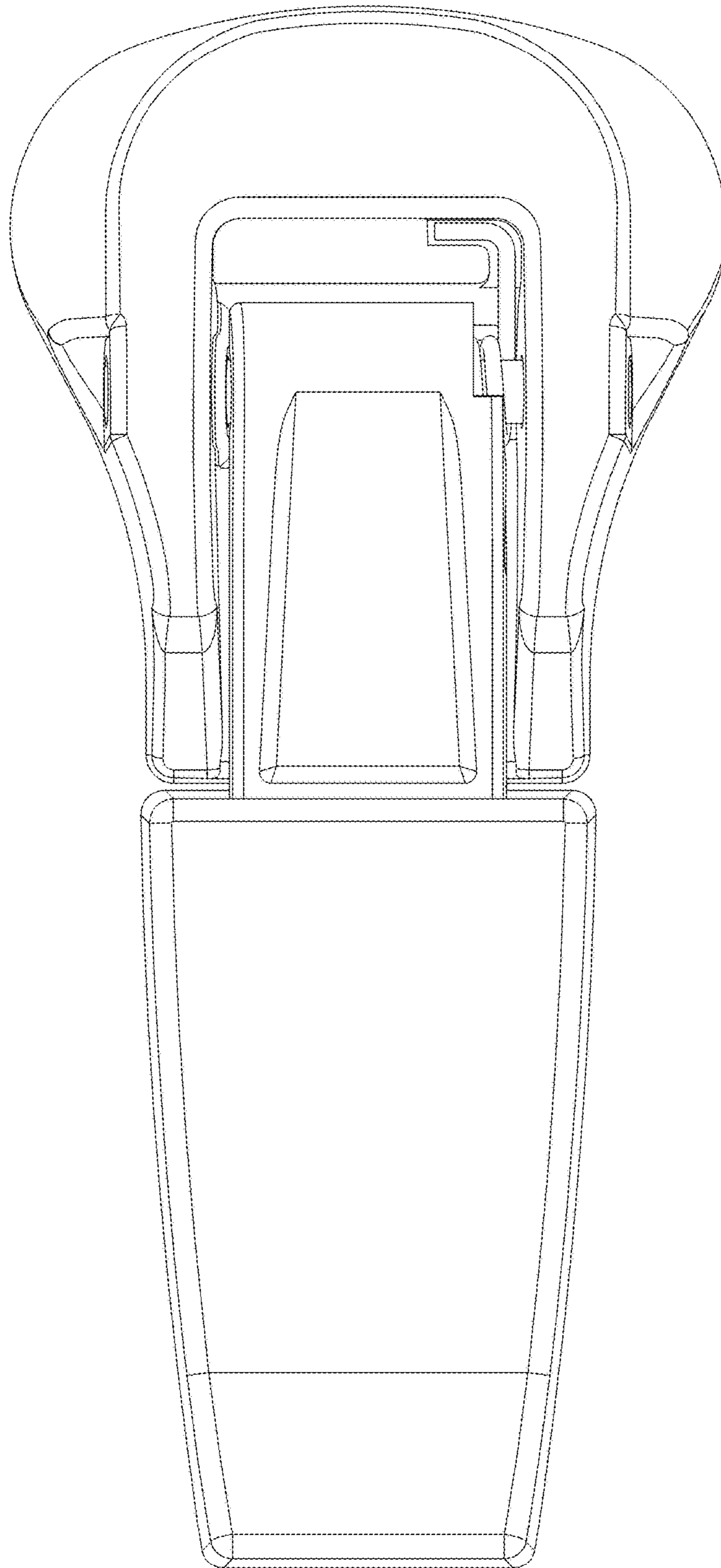


FIG. 1

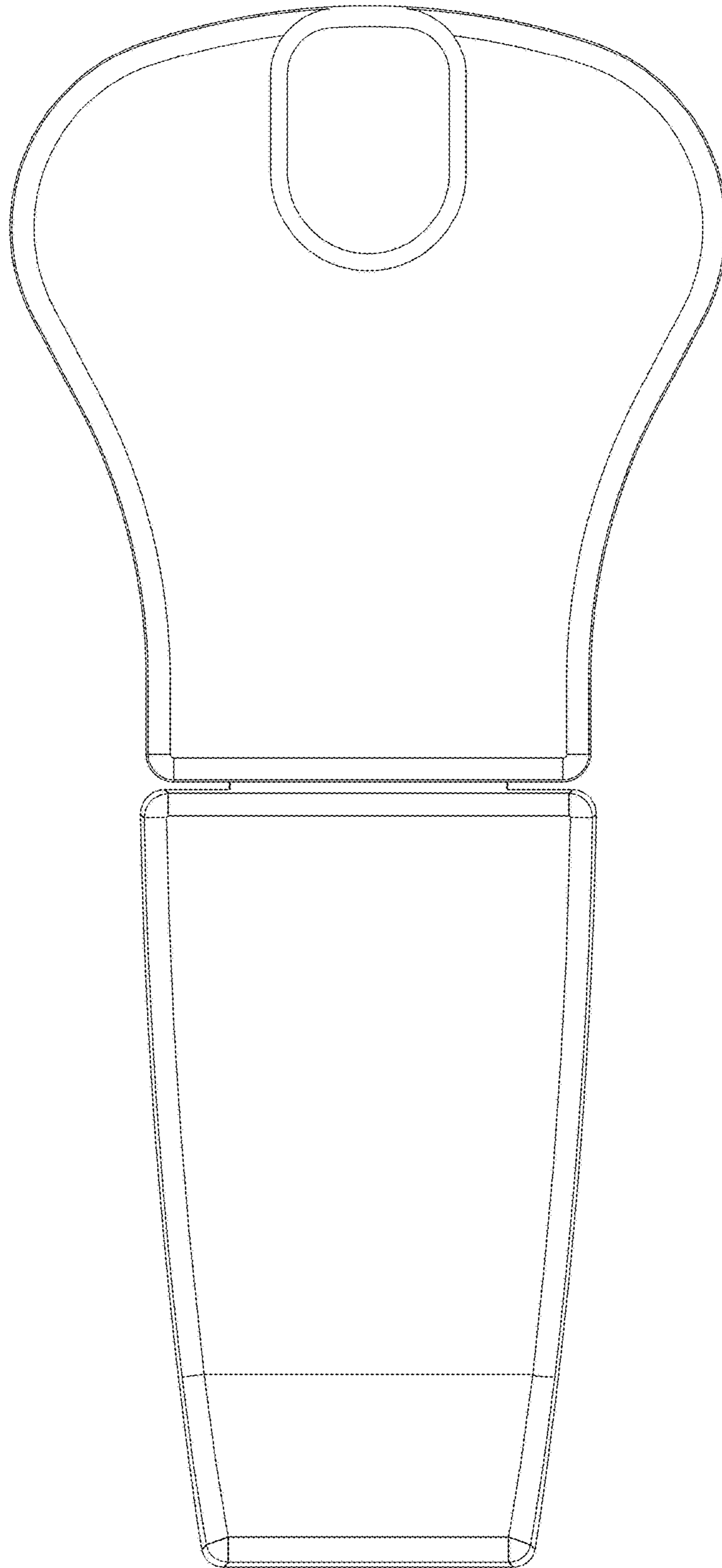


FIG. 2

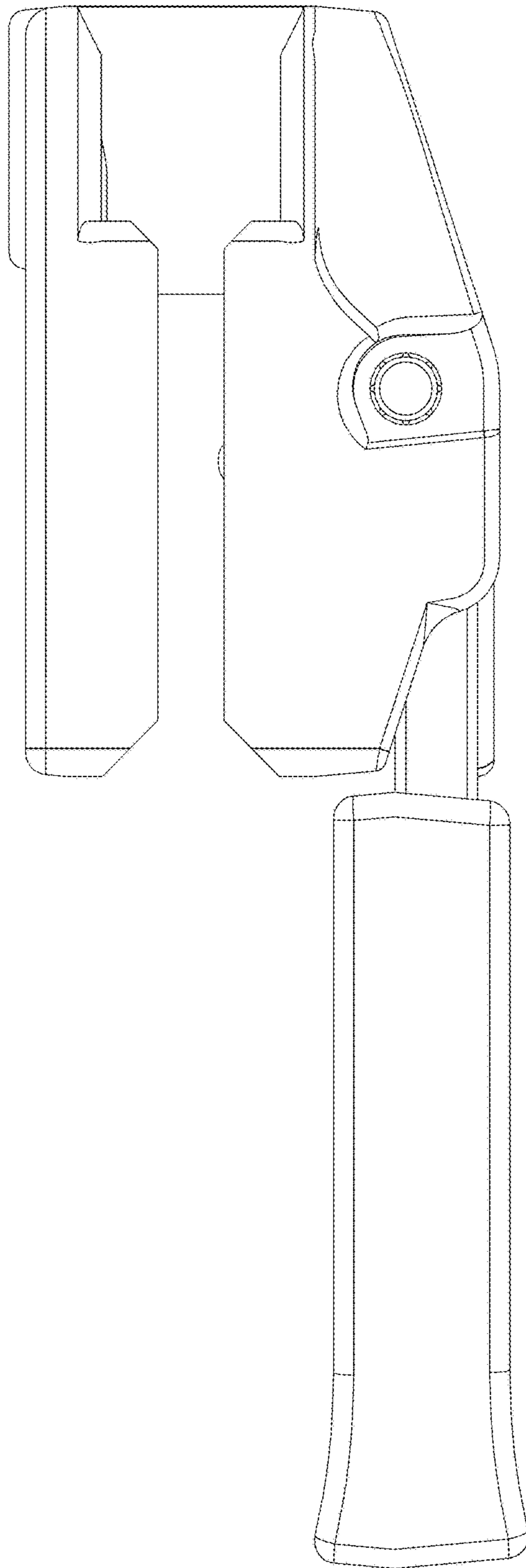


FIG. 3

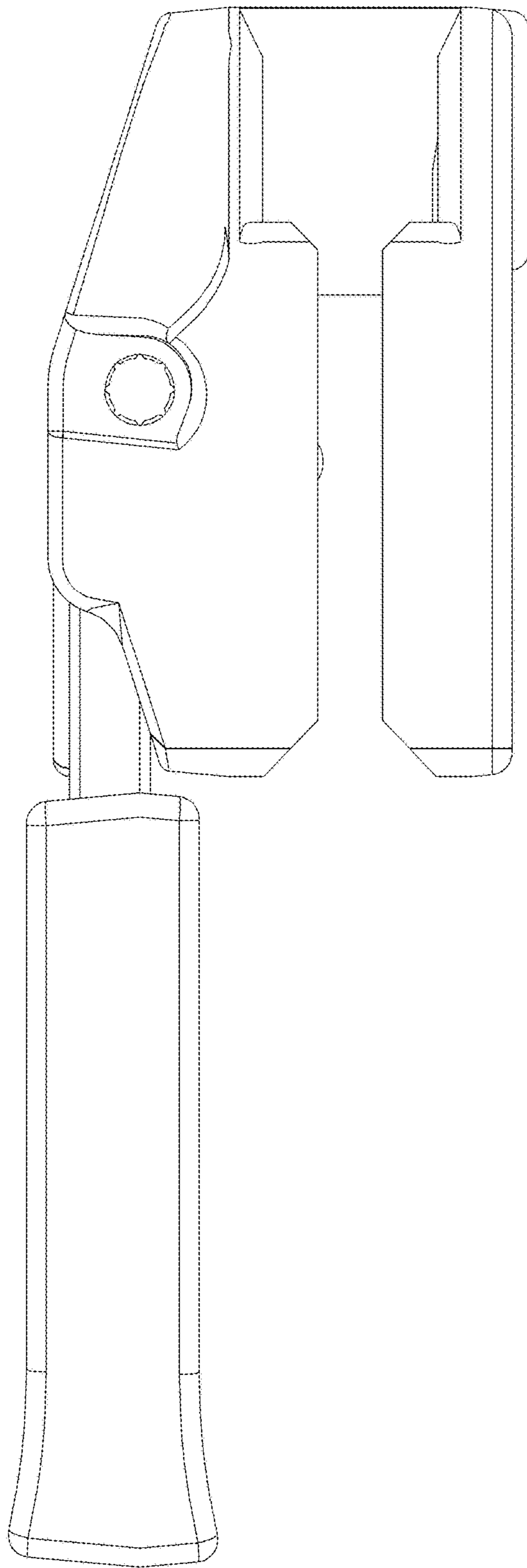


FIG. 4

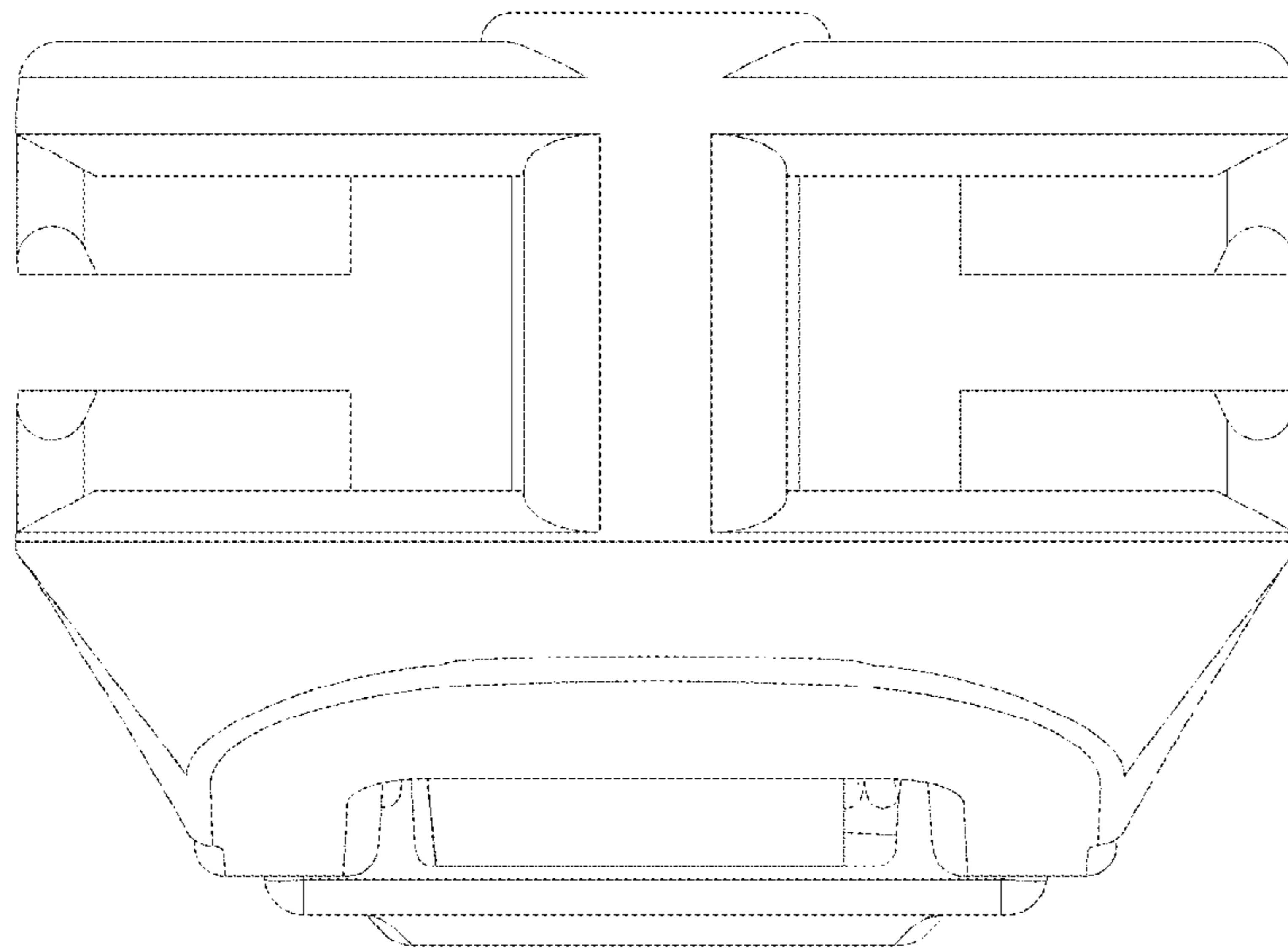


FIG. 5

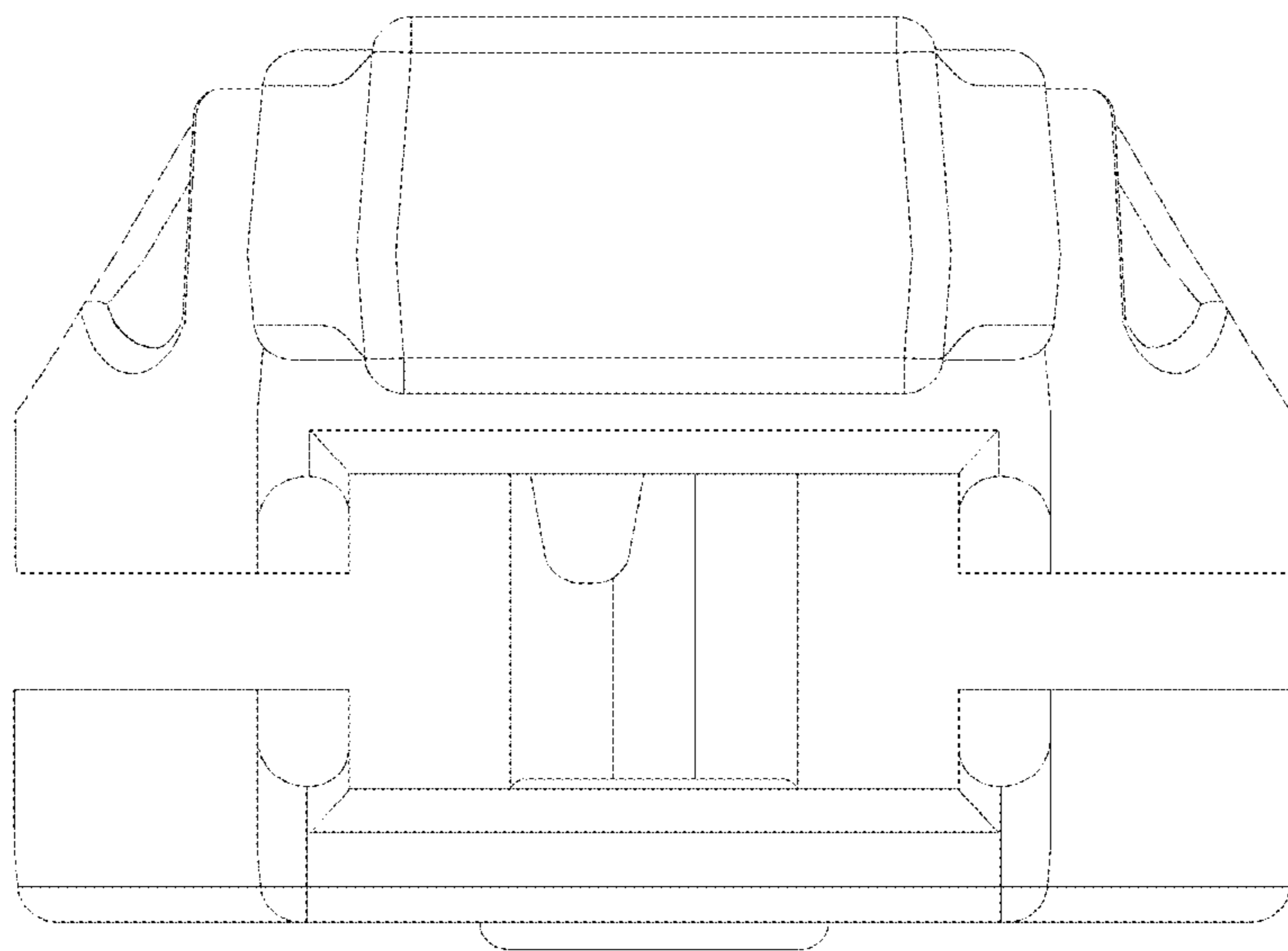


FIG. 6

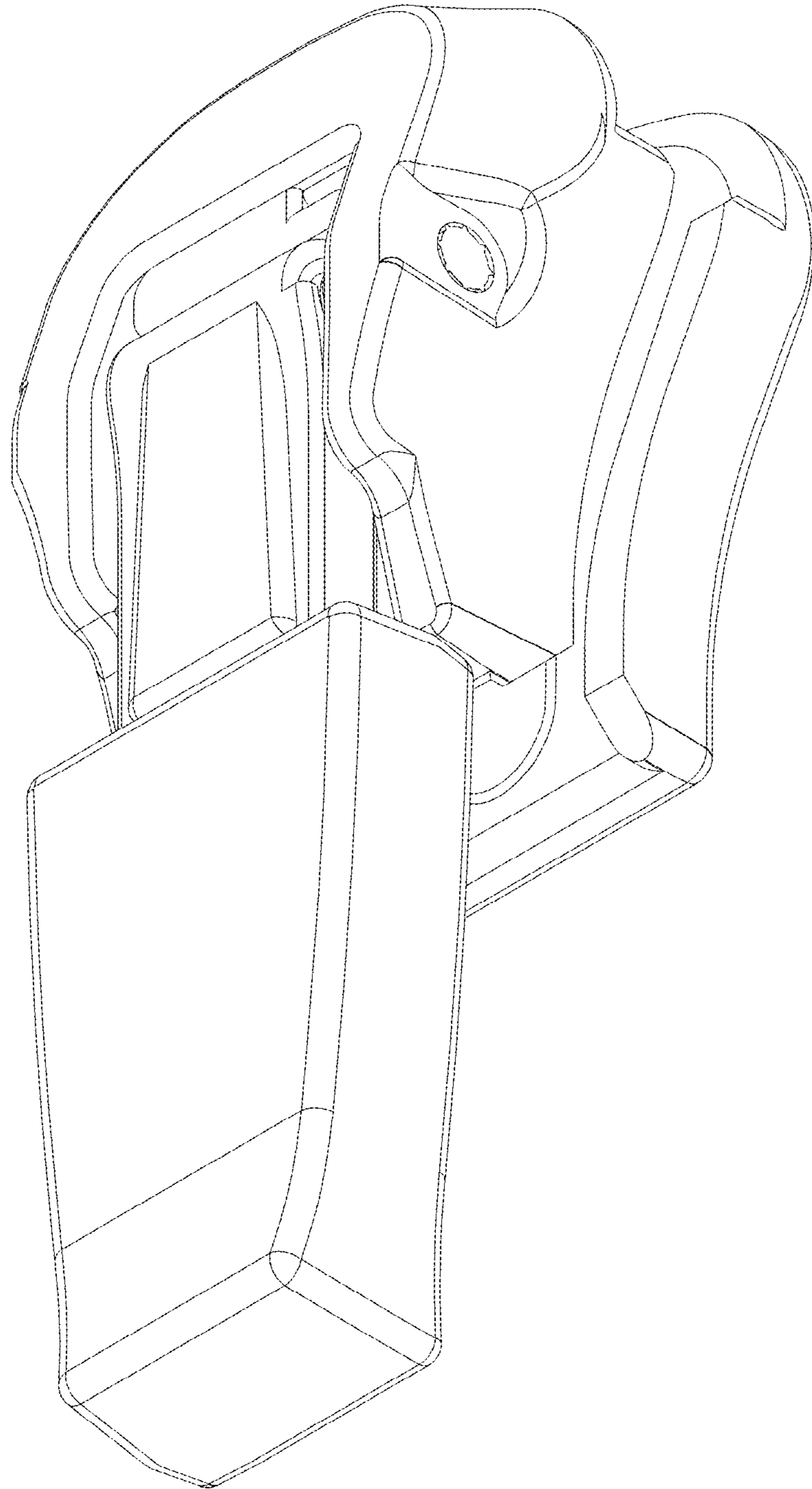


FIG. 7

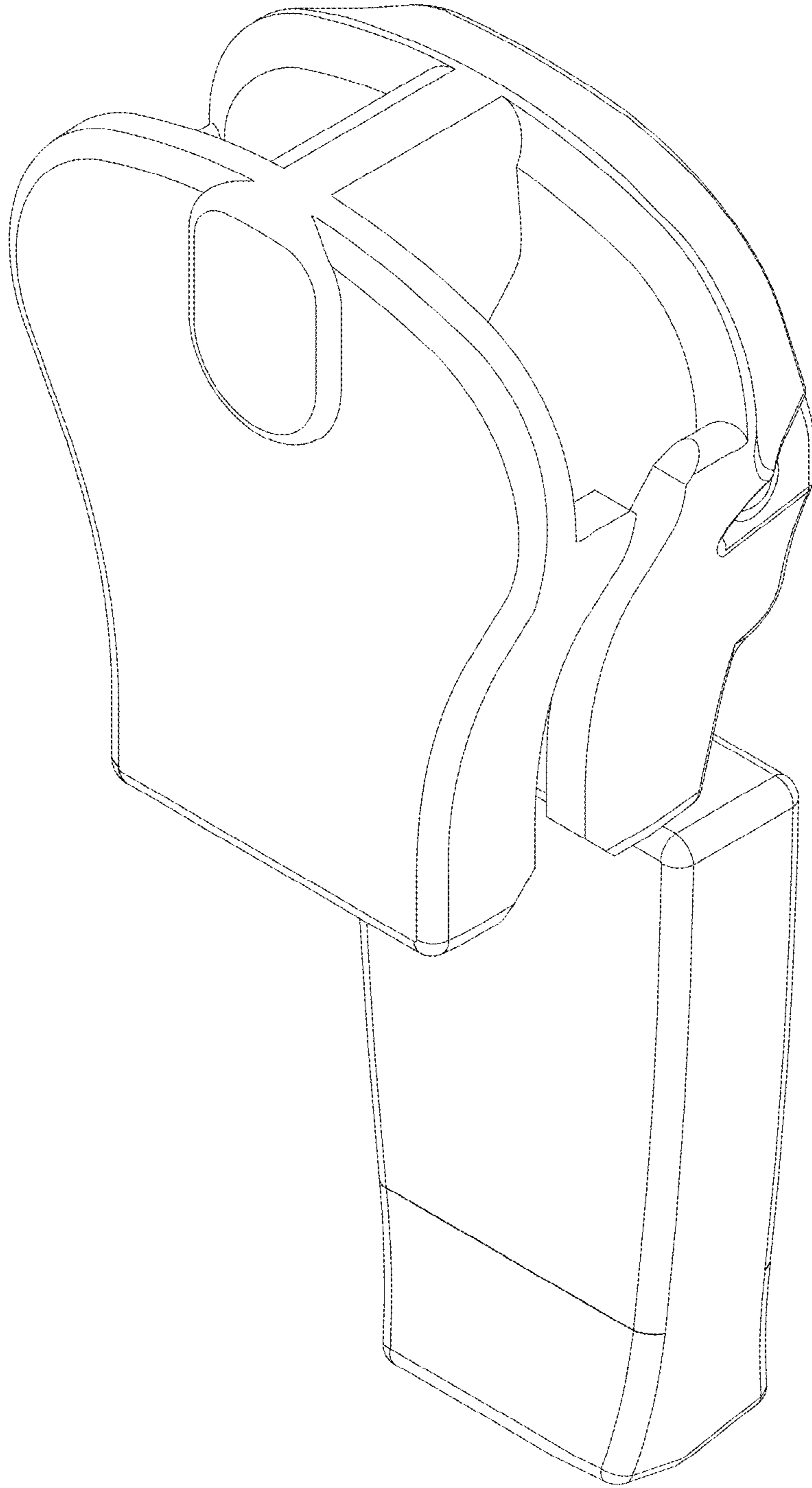


FIG. 8

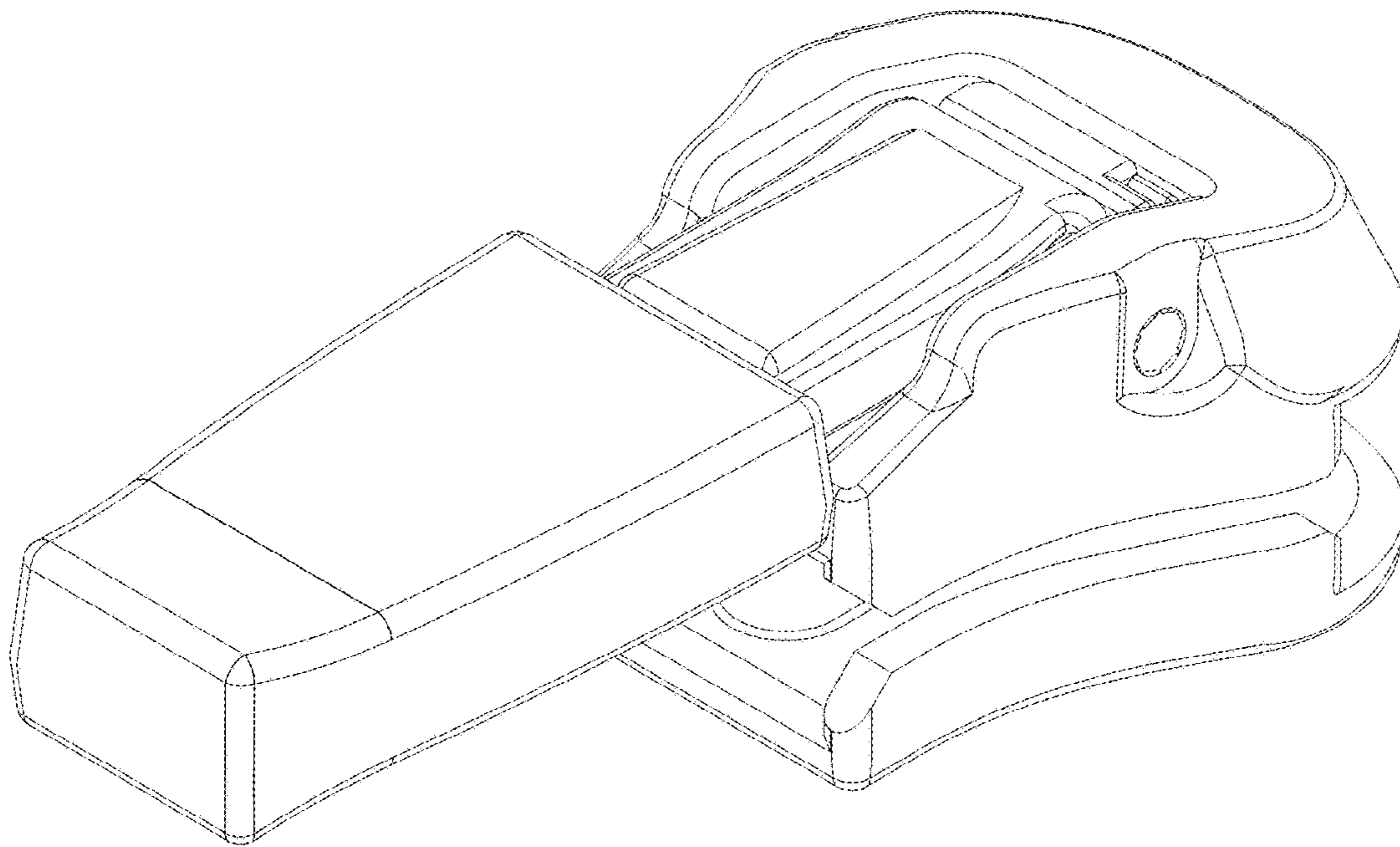


FIG. 9