



US00D804987S

(12) **United States Design Patent**
Hung et al.

(10) **Patent No.:** **US D804,987 S**

(45) **Date of Patent:** **** Dec. 12, 2017**

(54) **SLIDER**

(71) Applicant: **IDEAL FASTENER (GUANGDONG) INDUSTRIES LTD.**, Guangdong (CN)

(72) Inventors: **Franklin Chi Yen Hung**, Guangdong (CN); **Gollen Qiu**, Guangdong (CN); **William Qiu**, Guangdong (CN); **Ali Lv**, Guangdong (CN); **Andy Zeng**, Guangdong (CN); **Fukang Wu**, Guangdong (CN)

(**) Term: **15 Years**

(21) Appl. No.: **29/589,179**

(22) Filed: **Dec. 29, 2016**

(30) **Foreign Application Priority Data**

Aug. 31, 2016 (CN) 2016 3 0458602

(51) **LOC (10) Cl.** **15-07**

(52) **U.S. Cl.**
USPC **D11/221**

(58) **Field of Classification Search**
USPC D11/200–201, 221; 24/381–383,
24/385–387, 414–431, 4, 412; D2/641;
294/3.6

CPC A44B 19/00; A44B 19/02; A44B 19/04;
A44B 19/10; A44B 19/24; A44B 19/26;
A44B 19/30; A44B 19/06

See application file for complete search history.

(56) **References Cited**

U.S. PATENT DOCUMENTS

2,666,970 A * 1/1954 Grant A44B 19/28
24/416
3,798,715 A * 3/1974 Moertel A44B 19/306
24/423
4,055,876 A * 11/1977 Ackermann A44B 19/26
24/421

5,255,418 A * 10/1993 Chen A44B 19/308
24/419
5,544,394 A * 8/1996 Yaguramaki A44B 19/308
24/424
D390,811 S * 2/1998 Yaguramaki D11/221
D397,959 S * 9/1998 Terasaki D11/221
D398,560 S * 9/1998 Oda D11/221

(Continued)

FOREIGN PATENT DOCUMENTS

CN 204930563 * 1/2016 A44B 19/04
KR 200422205 * 7/2006 A44B 16/26

OTHER PUBLICATIONS

Metal Slider Auto Lock, IndiaMart.com, [online], [site visited Sep. 19, 2017]. URL: <https://www.indiamart.com/proddetail/metal-slider-auto-lock-15852506891.html> (Year: 2017).*

(Continued)

Primary Examiner — T. Chase Nelson

Assistant Examiner — Jonathan J. Han

(74) *Attorney, Agent, or Firm* — Prakash Nama; Global IP Services, PLLC

(57) **CLAIM**

The ornamental design for a slider, as shown.

DESCRIPTION

FIG. 1 is a front elevational view of a slider showing our new design;

FIG. 2 is a rear elevational view thereof;

FIG. 3 is a left side view thereof;

FIG. 4 is a right side view thereof;

FIG. 5 is a top plan view thereof;

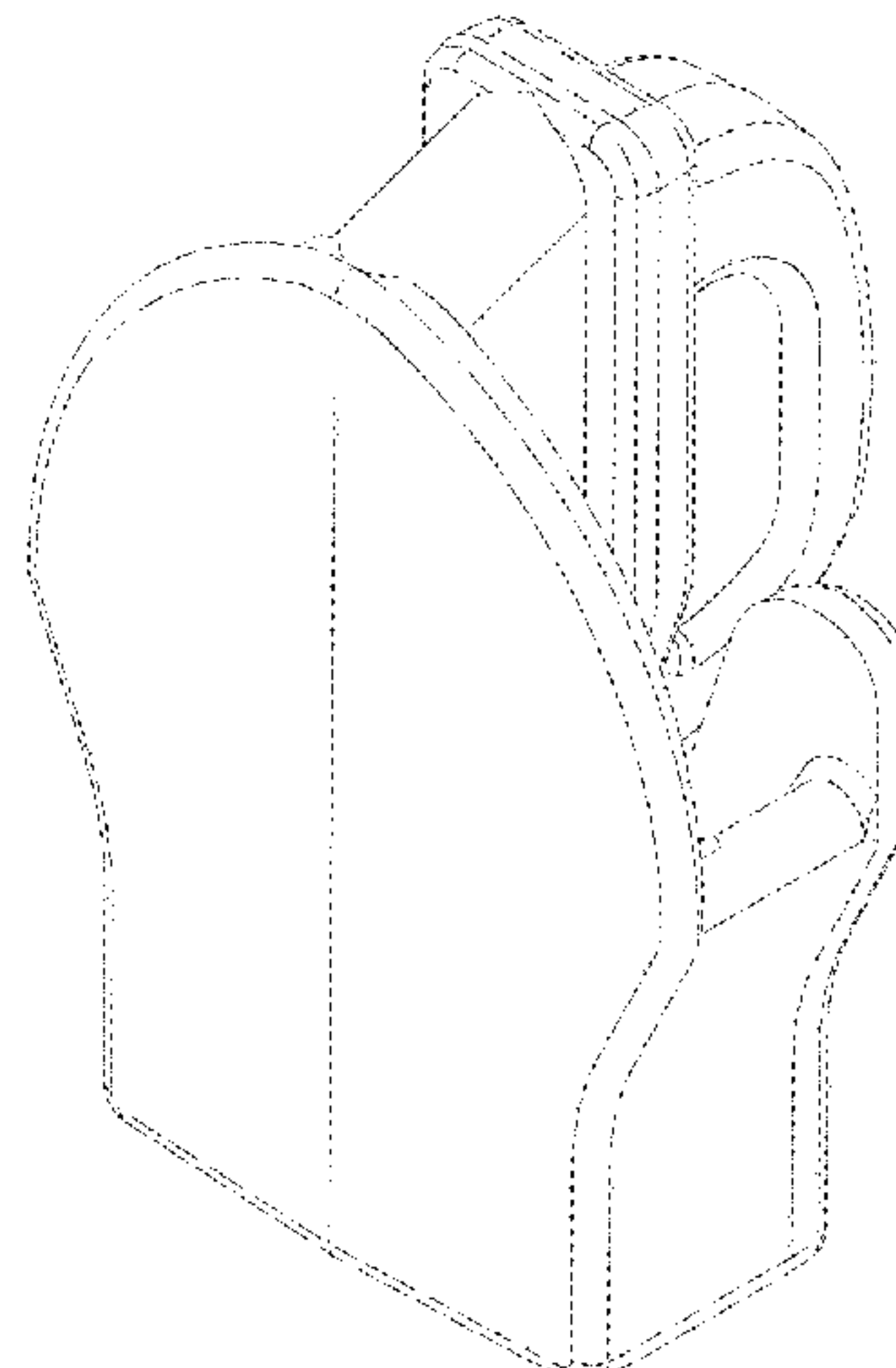
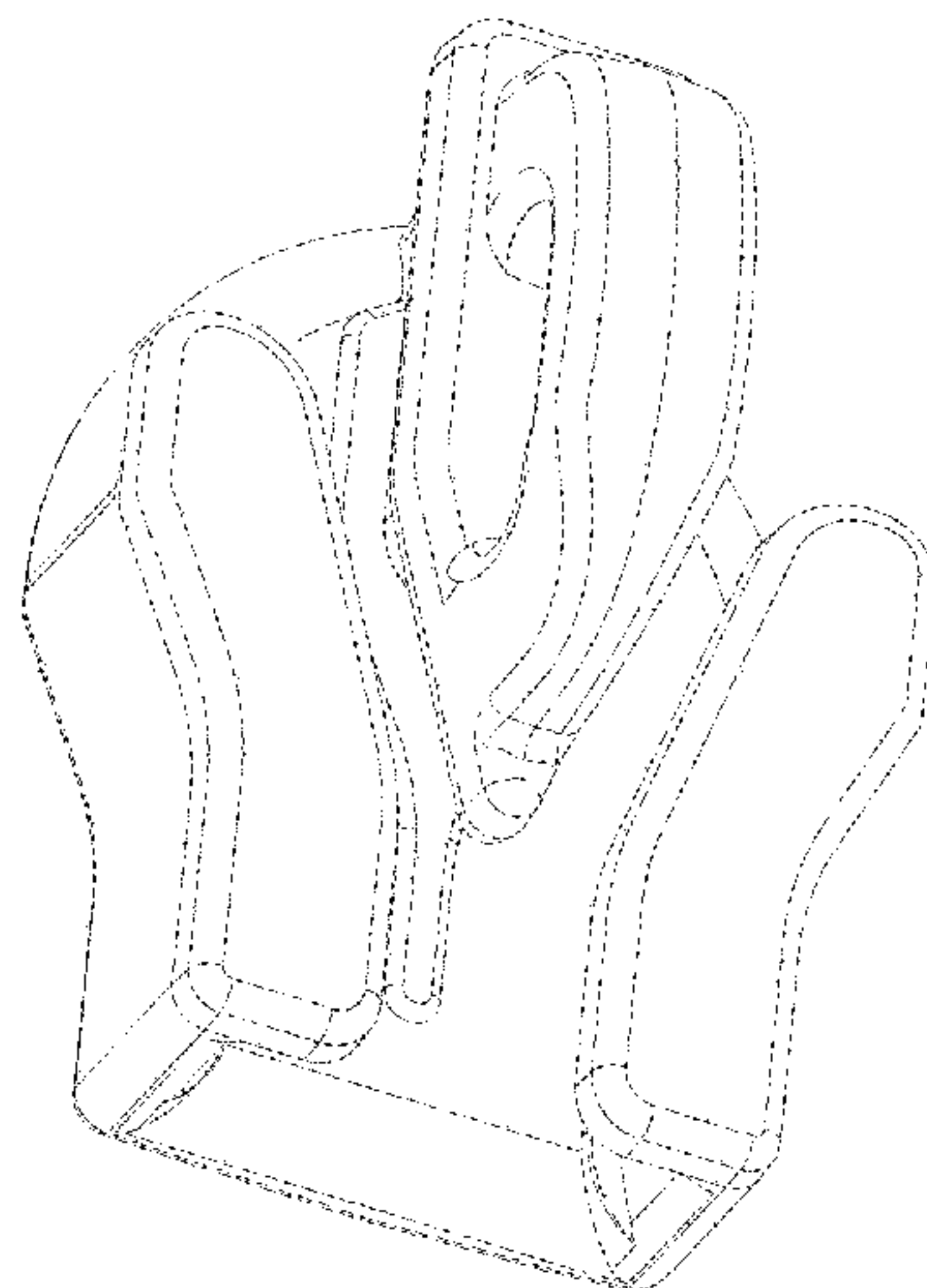
FIG. 6 is a bottom plan view thereof;

FIG. 7 is a perspective view thereof;

FIG. 8 is a second perspective view thereof; and,

FIG. 9 is a third perspective view thereof.

1 Claim, 8 Drawing Sheets



(56)

References Cited

U.S. PATENT DOCUMENTS

5,809,622 A * 9/1998 Yaguramaki A44B 19/308
24/419
5,956,819 A * 9/1999 Terasaki A44B 19/26
24/419
D512,340 S * 12/2005 Keyaki D11/221
D527,311 S * 8/2006 Yamagishi D11/221
D556,087 S * 11/2007 Lin D11/221
D612,292 S * 3/2010 Miyazaki D11/221
D643,336 S * 8/2011 Di Girolami D11/221
D643,779 S * 8/2011 Di Girolami D11/221
D651,939 S * 1/2012 Keyaki D11/221
D705,124 S * 5/2014 Wang D11/221
D706,676 S * 6/2014 Ohgaku D11/221
D709,405 S * 7/2014 Keyaki D11/221
D721,616 S * 1/2015 Yamashita D11/221
9,125,459 B1 * 9/2015 Lin A44B 19/26
9,226,550 B1 * 1/2016 Lin A44B 19/262
2002/0133917 A1 * 9/2002 Chu A44B 19/262
24/429
2006/0075611 A1 * 4/2006 Yamagishi A44B 19/306

2009/0106952 A1 * 4/2009 Lin A44B 19/308
24/418
2009/0113676 A1 * 5/2009 Chung A44B 19/06
24/406
2009/0313793 A1 * 12/2009 Lin A44B 19/26
24/429
2012/0186049 A1 * 7/2012 Wang A44B 19/26
24/430
2014/0338158 A1 * 11/2014 Lin A44B 19/26
24/431
2015/0189954 A1 * 7/2015 Yoneoka A44B 19/26
24/428
2015/0223572 A1 * 8/2015 Wang A44B 19/26
24/428
2017/0035154 A1 * 2/2017 Lin A44B 19/308

OTHER PUBLICATIONS

5CC DA5, YKKfasting.com, [online], [site visited Sep. 19, 2017].
URL: http://www.ykkfastening.com/products/zipper/slider/zipper_type/coil_zipper/5cc/5cc_da5.html (Year: 2017).*

* cited by examiner

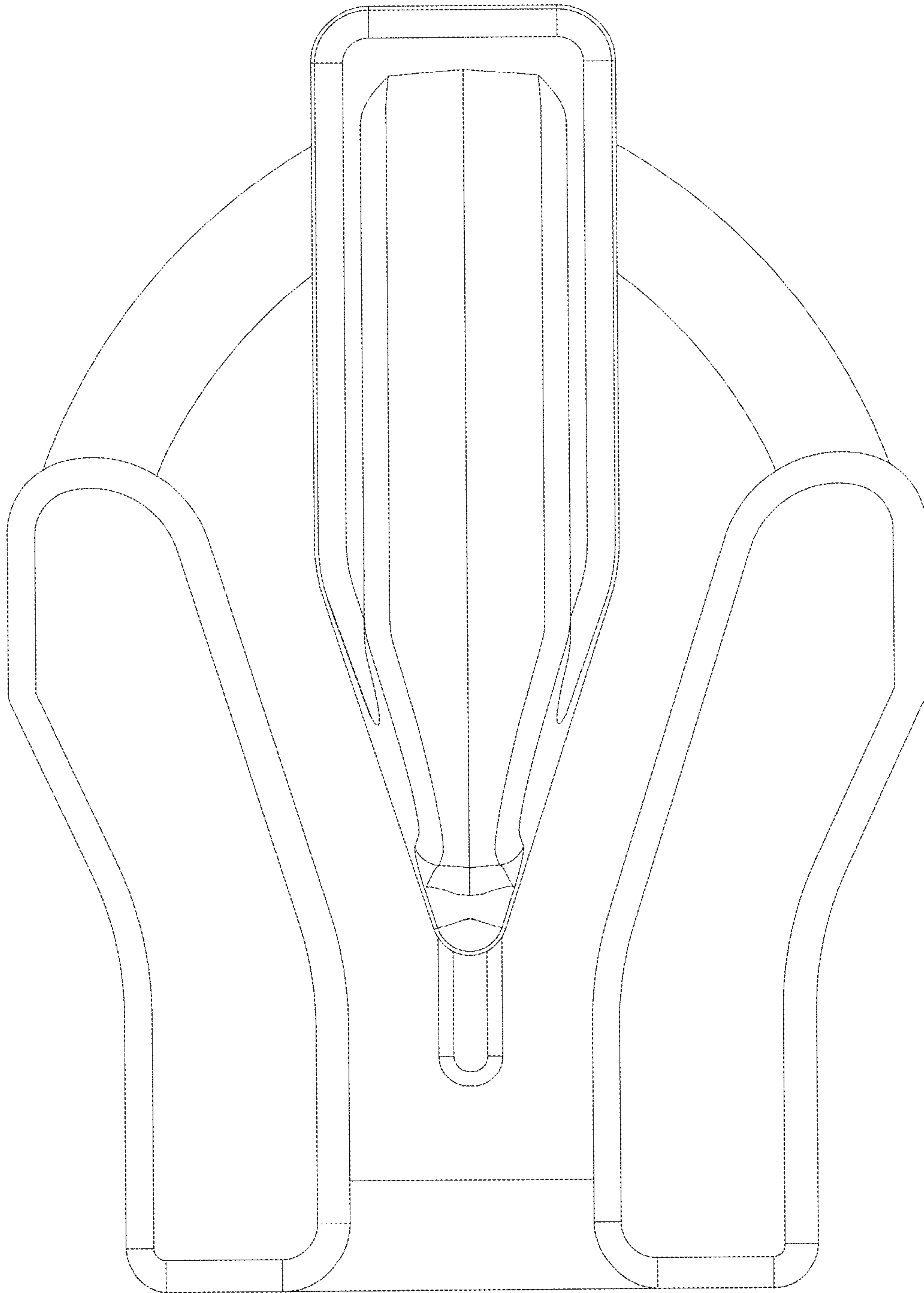


FIG. 1

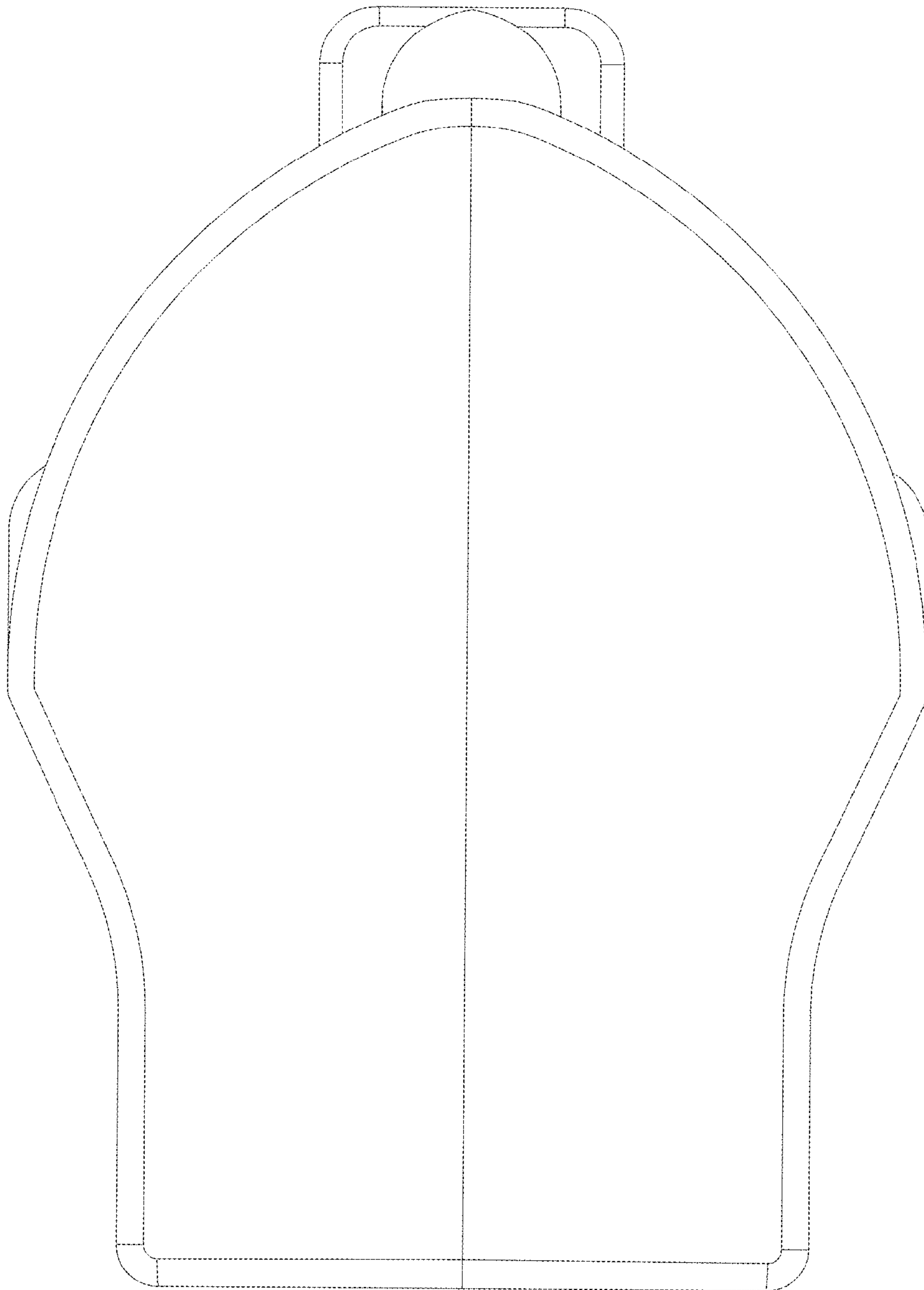


FIG. 2

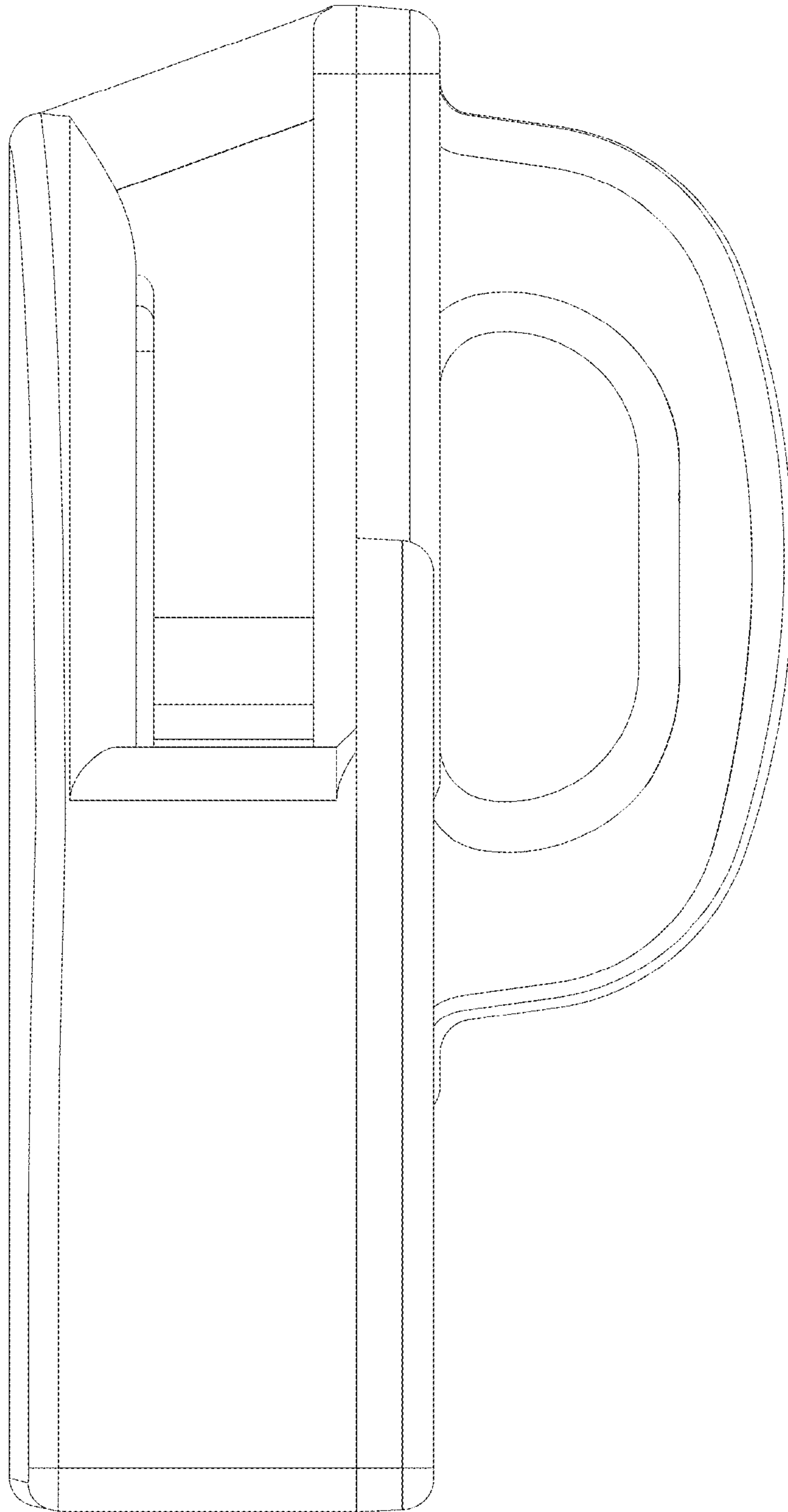


FIG. 3

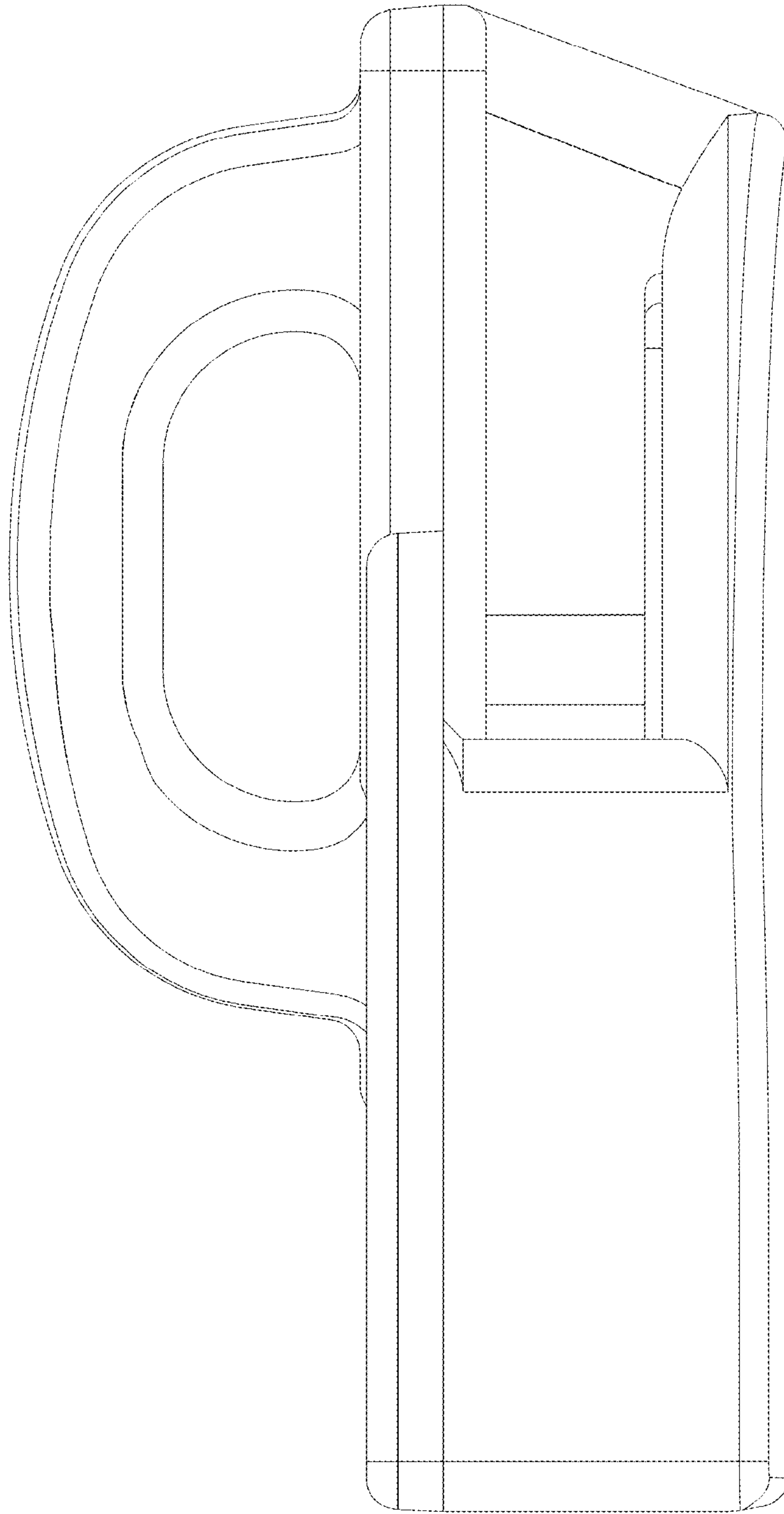


FIG. 4

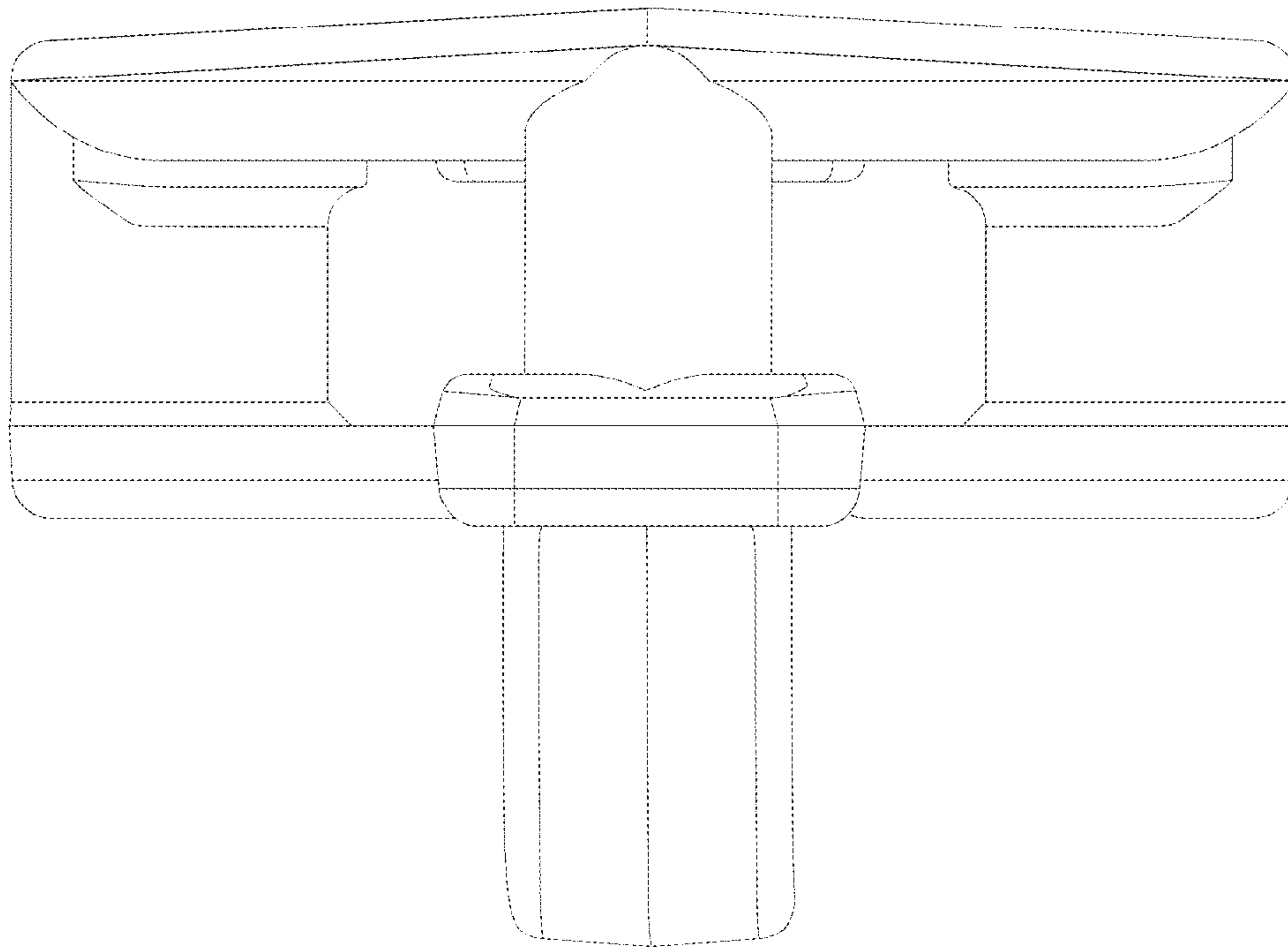


FIG. 5

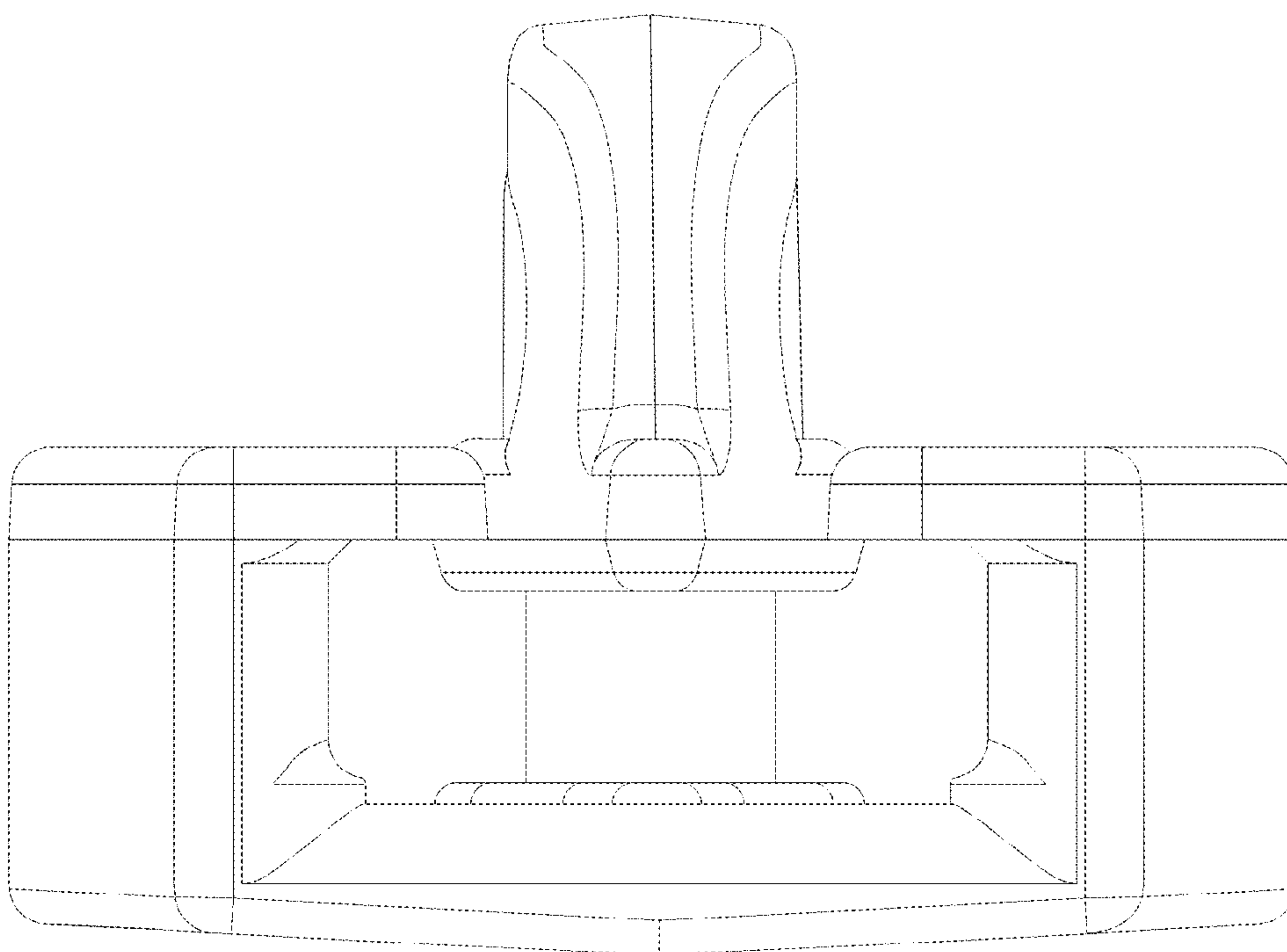


FIG. 6

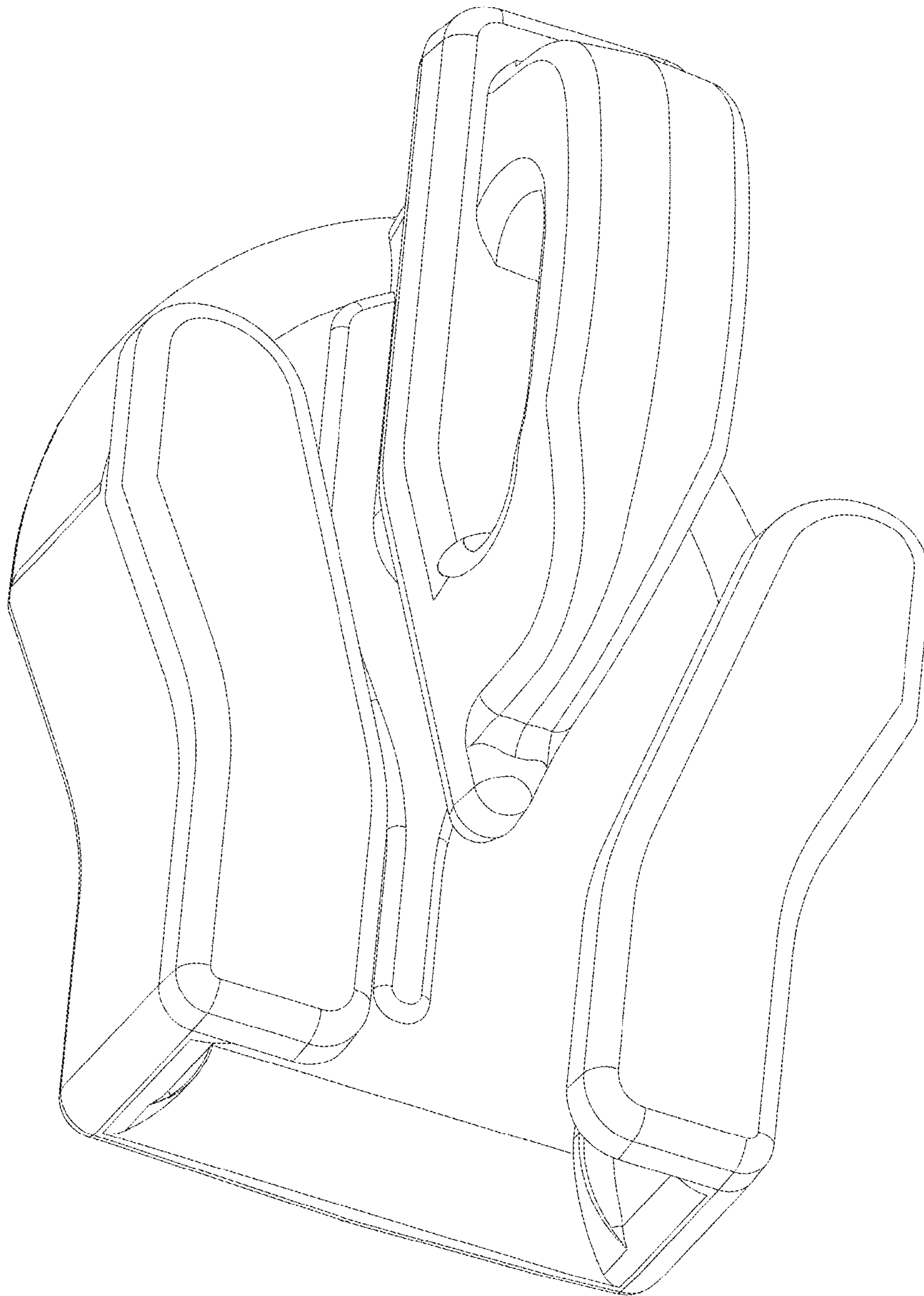


FIG. 7

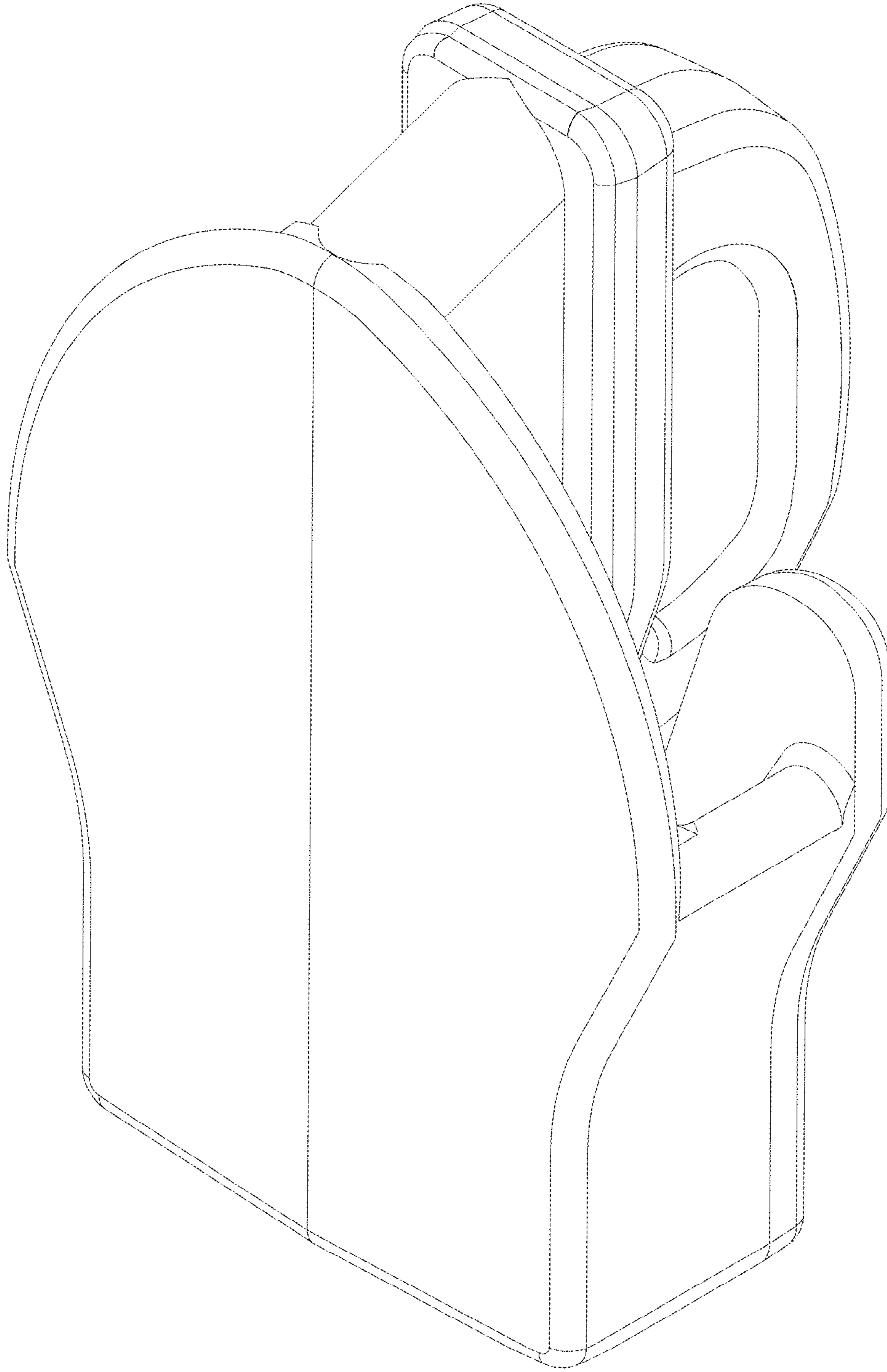


FIG. 8

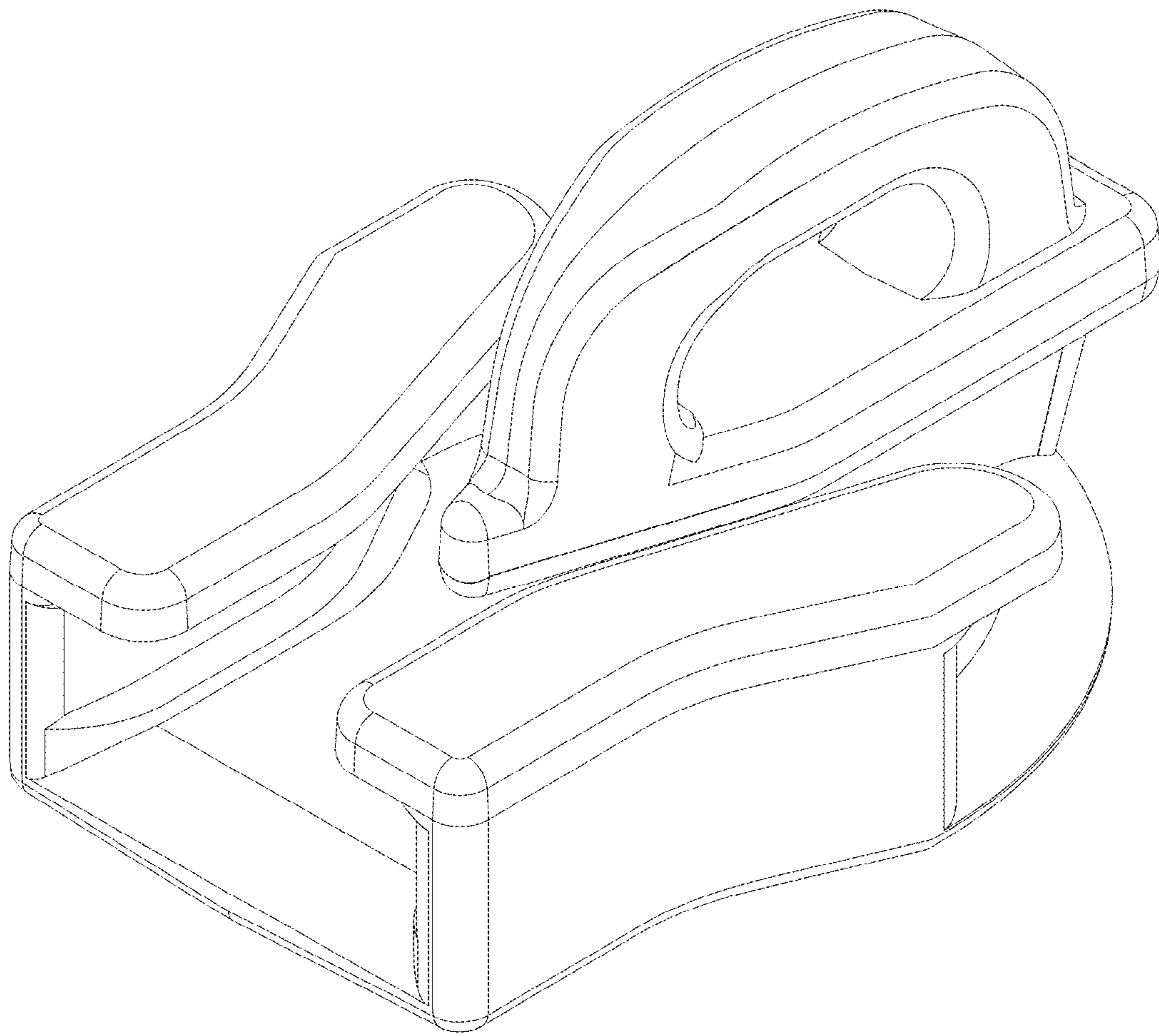


FIG. 9