



US00D804986S

(12) **United States Design Patent**
Hung et al.

(10) **Patent No.:** **US D804,986 S**
(45) **Date of Patent:** **** Dec. 12, 2017**

(54) **SLIDER**
(71) Applicant: **IDEAL FASTENER (GUANGDONG) INDUSTRIES LTD.**, Guangdong (CN)
(72) Inventors: **Franklin Chi Yen Hung**, Guangdong (CN); **Gollen Qiu**, Guangdong (CN); **William Qiu**, Guangdong (CN); **Ali Lv**, Guangdong (CN); **Andy Zeng**, Guangdong (CN); **Fukang Wu**, Guangdong (CN)

(**) Term: **15 Years**
(21) Appl. No.: **29/589,176**
(22) Filed: **Dec. 29, 2016**

(30) **Foreign Application Priority Data**
Aug. 31, 2016 (CN) 2016 3 0458572
(51) **LOC (10) Cl.** **15-07**
(52) **U.S. Cl.**
USPC **D11/221**
(58) **Field of Classification Search**
USPC D11/200-201, 221; 24/381-383,
24/385-387, 414-431, 4, 412; D2/641;
294/3.6
CPC A44B 19/00; A44B 19/02; A44B 19/04;
A44B 19/10; A44B 19/24; A44B 19/26;
A44B 19/30; A44B 19/06
See application file for complete search history.

(56) **References Cited**
U.S. PATENT DOCUMENTS
2,666,970 A * 1/1954 Grant A44B 19/28
24/416
3,798,715 A * 3/1974 Moertel A44B 19/306
24/423
4,055,876 A * 11/1977 Ackermann A44B 19/26
24/421

5,255,418 A * 10/1993 Chen A44B 19/308
24/419
5,544,394 A * 8/1996 Yaguramaki A44B 19/308
24/424
D390,811 S * 2/1998 Yaguramaki D11/221
D397,959 S * 9/1998 Terasaki D11/221
D398,560 S * 9/1998 Oda D11/221
5,809,622 A * 9/1998 Yaguramaki A44B 19/308
24/419
5,956,819 A * 9/1999 Terasaki A44B 19/26
24/419
D512,340 S * 12/2005 Keyaki D11/221
(Continued)

OTHER PUBLICATIONS

Slider for Conceal (invisible zipper) size 5, YKKfasting.com, [online], [site visited Sep. 19, 2017]. <URL: http://www.ykkfastening.com/products/zipper/slider/zipper_type/coil_zipper/5cc/5cc_da5.html>.*
(Continued)

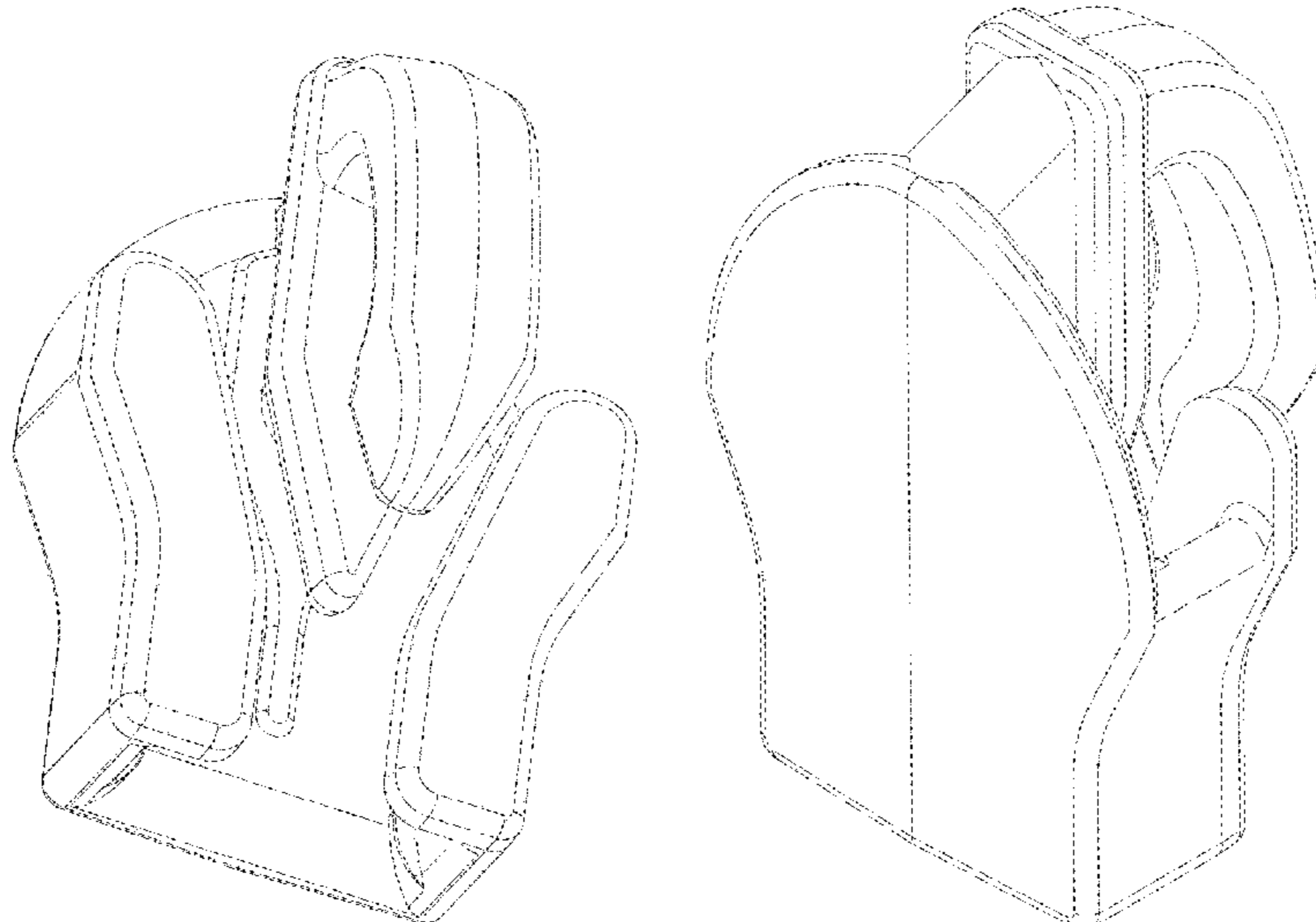
Primary Examiner — T. Chase Nelson
Assistant Examiner — Jonathan J Han
(74) *Attorney, Agent, or Firm* — Prakash Nama; Global IP Services, PLLC

(57) **CLAIM**
The ornamental design for a slider, as shown.

DESCRIPTION

FIG. 1 is a front elevational view of a slider showing our new design;
FIG. 2 is a rear elevational view thereof;
FIG. 3 is a left side view thereof;
FIG. 4 is a right side view thereof;
FIG. 5 is a top plan view thereof;
FIG. 6 is a bottom plan view thereof;
FIG. 7 is a perspective view thereof;
FIG. 8 is a second perspective view thereof; and,
FIG. 9 is a third perspective view thereof.

1 Claim, 8 Drawing Sheets



(56)

References Cited

U.S. PATENT DOCUMENTS

D527,311 S * 8/2006 Yamagishi D11/221
 D556,087 S * 11/2007 Lin D11/221
 D612,292 S * 3/2010 Miyazaki D11/221
 D643,336 S * 8/2011 Di Girolami D11/221
 D643,779 S * 8/2011 Di Girolami D11/221
 D651,939 S * 1/2012 Keyaki D11/221
 D705,124 S * 5/2014 Wang D11/221
 D706,676 S * 6/2014 Ohgaku D11/221
 D709,405 S * 7/2014 Keyaki D11/221
 D721,616 S * 1/2015 Yamashita D11/221
 9,125,459 B1 * 9/2015 Lin A44B 19/26
 9,226,550 B1 * 1/2016 Lin A44B 19/262
 2002/0133917 A1 * 9/2002 Chu A44B 19/262
 2006/0075611 A1 * 4/2006 Yamagishi A44B 19/306
 2009/0106952 A1 * 4/2009 Lin A44B 19/308
 2009/0113676 A1 * 5/2009 Chung A44B 19/06
 24/406

2009/0313793 A1 * 12/2009 Lin A44B 19/26
 24/429
 2012/0186049 A1 * 7/2012 Wang A44B 19/26
 24/430
 2014/0338158 A1 * 11/2014 Lin A44B 19/26
 24/431
 2015/0189954 A1 * 7/2015 Yoneoka A44B 19/26
 24/428
 2015/0223572 A1 * 8/2015 Wang A44B 19/26
 24/428
 2017/0035154 A1 * 2/2017 Lin A44B 19/308

OTHER PUBLICATIONS

Invisible Zipper Slider Rs. 4 / Piece, IndiaMart.com, [online], [site visited Sep. 19, 2017]. <URL: <https://www.indiamart.com/iafastners-newdelhi/zipper-sliders.html>>.*
 5# Invisible Zipper Slider, HelianMold.com, [online], [site visited Sep. 19, 2017]. <URL: <http://www.helianmold.com/product/invisible-zipper-slider-3-4-5>>.*

* cited by examiner

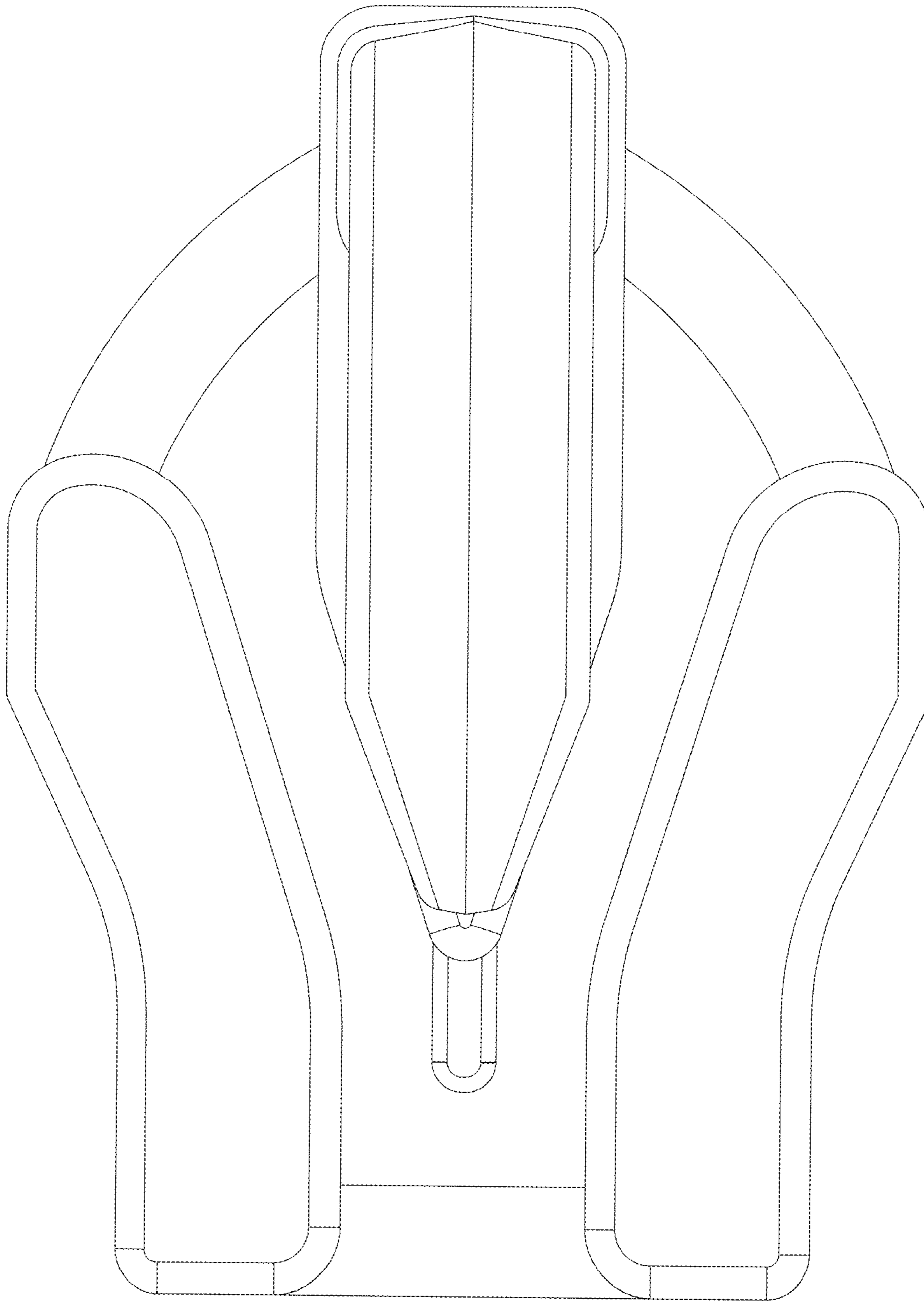


FIG. 1

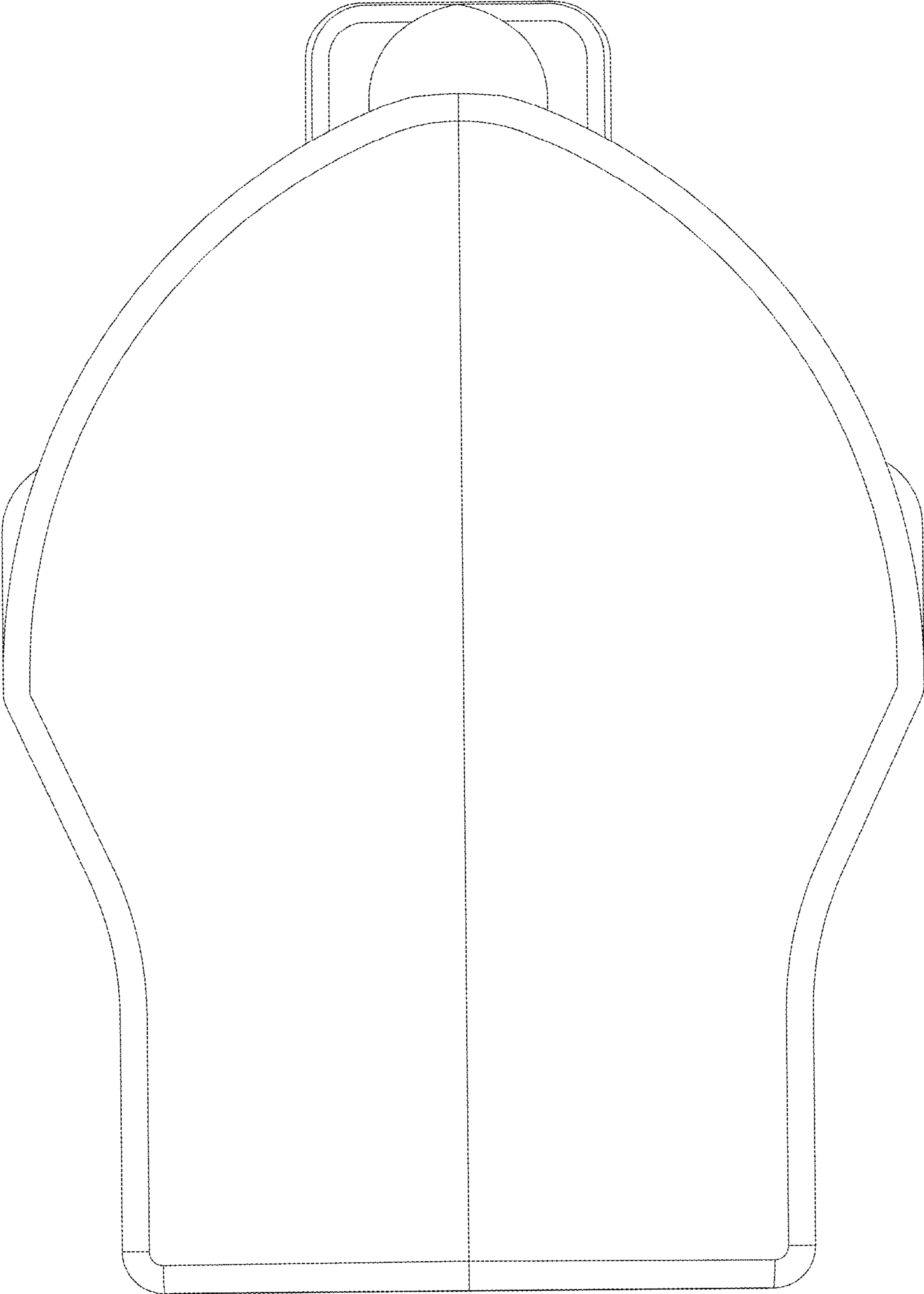


FIG. 2

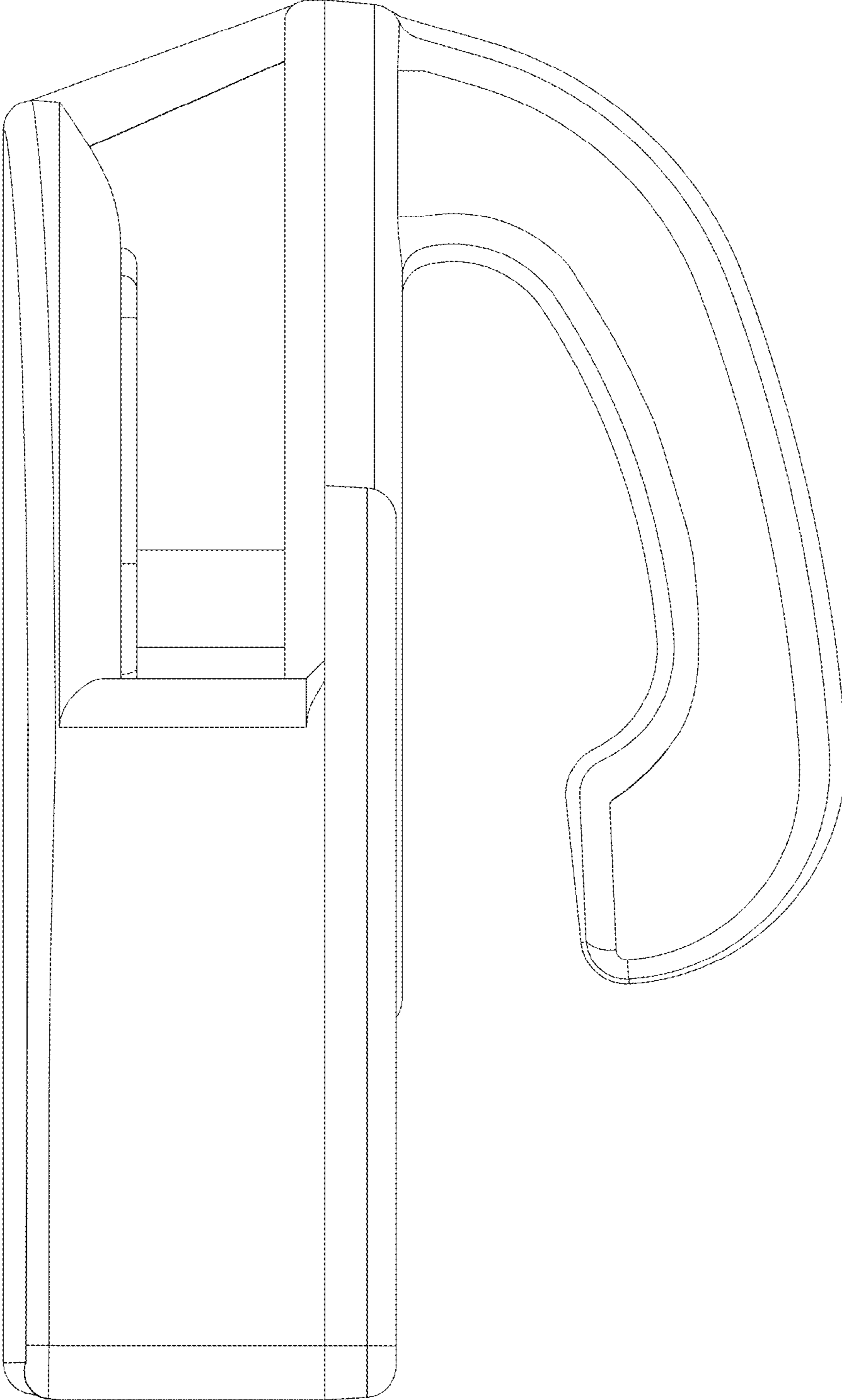


FIG. 3

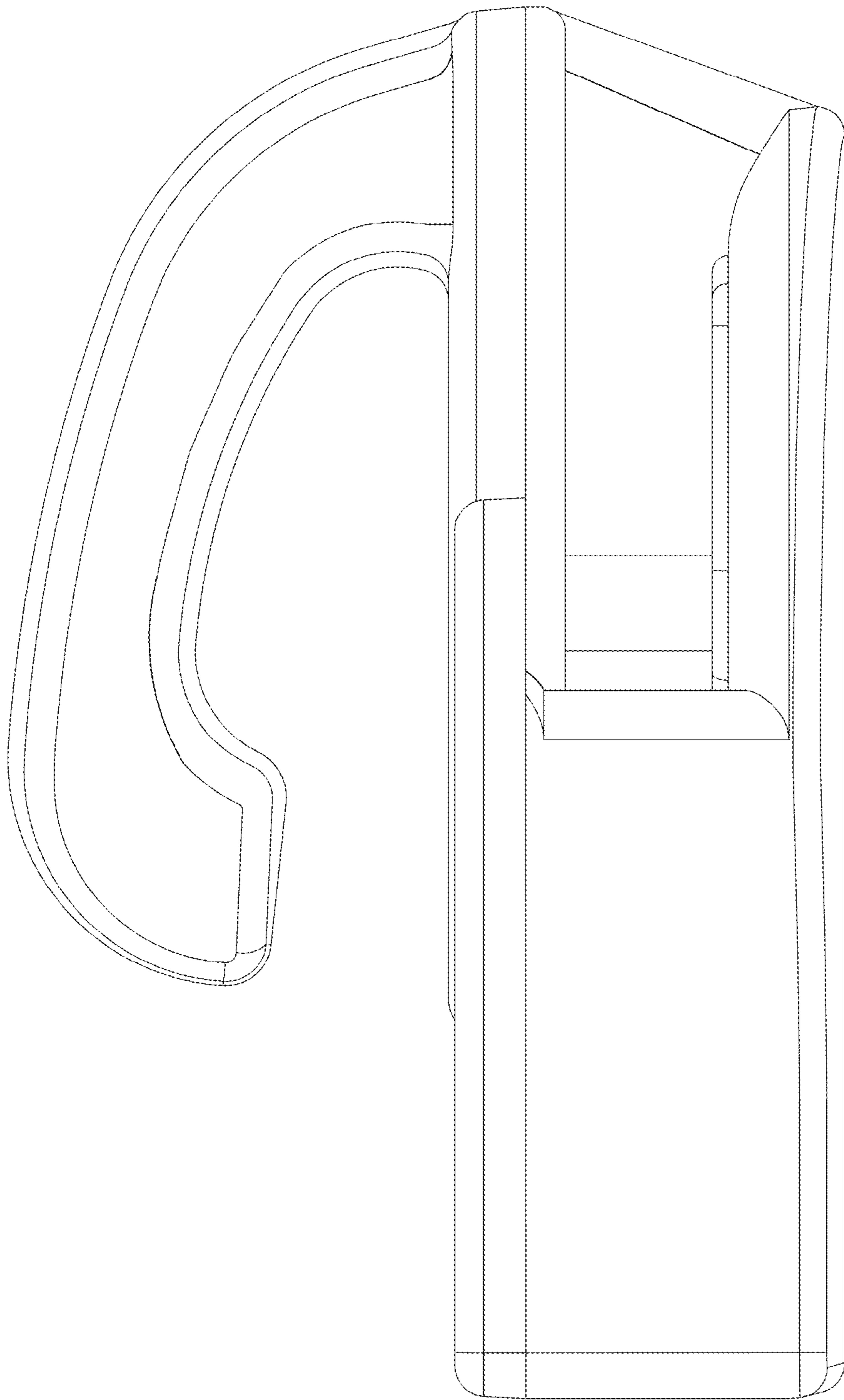


FIG. 4

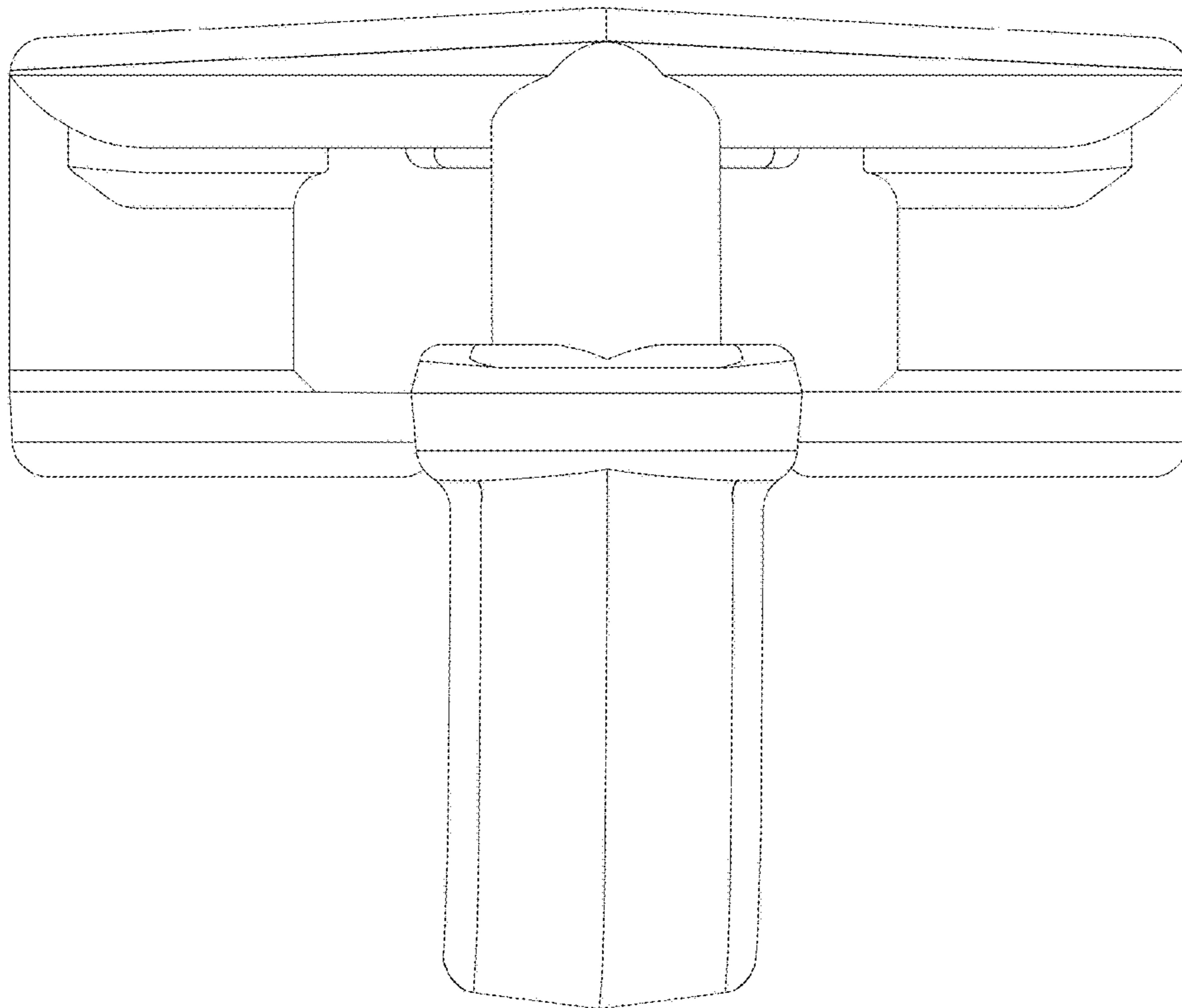


FIG. 5

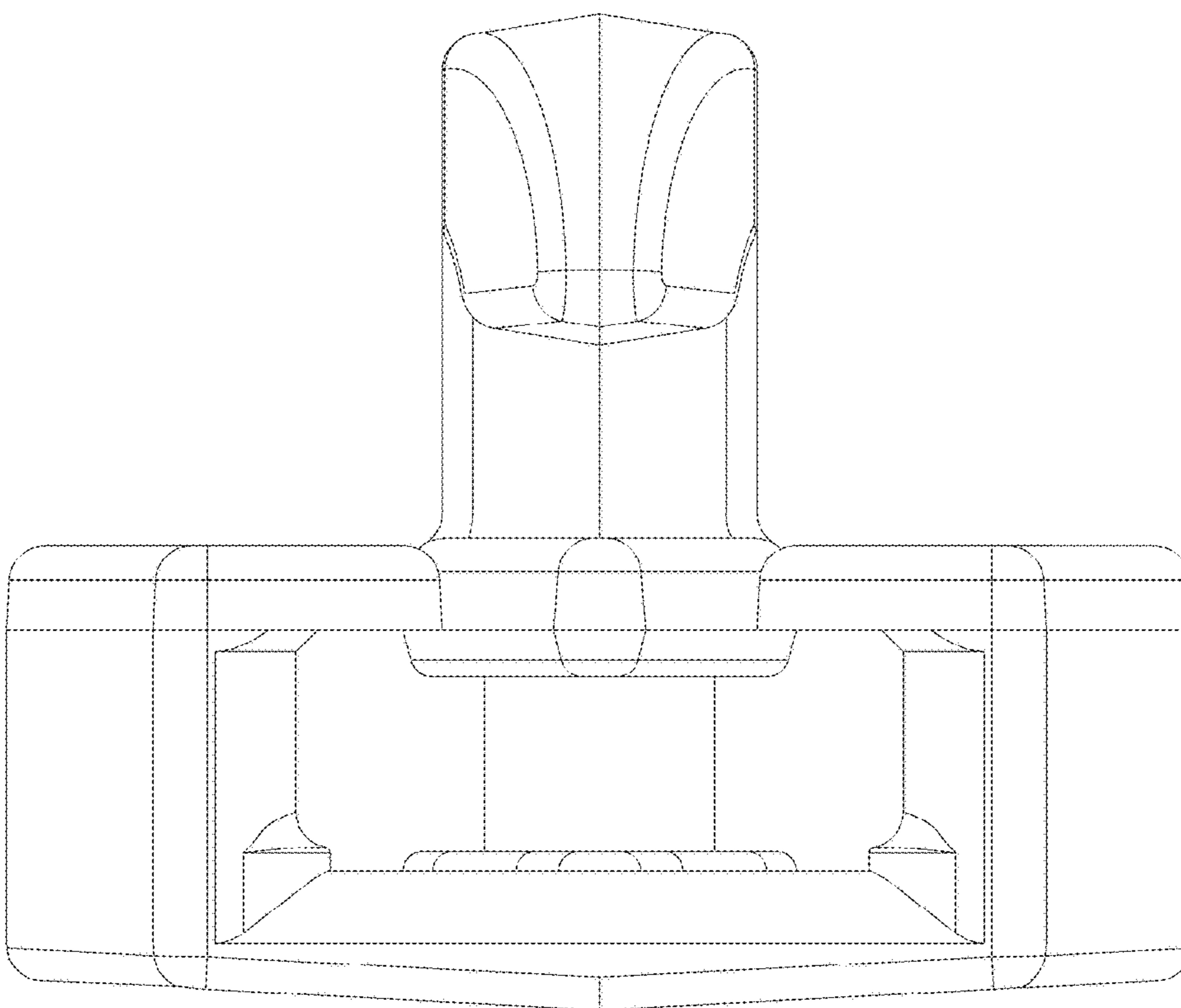


FIG. 6

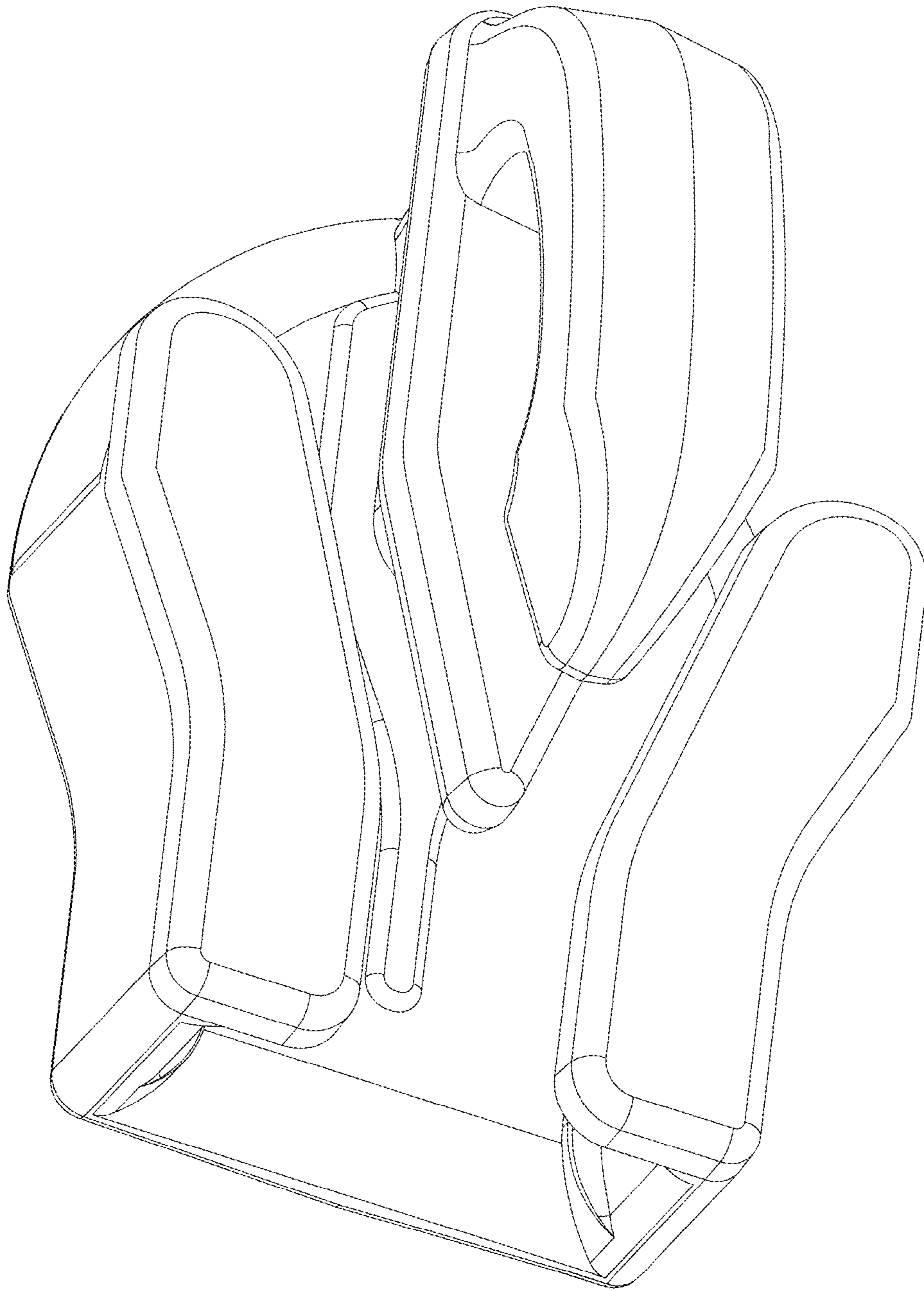


FIG. 7

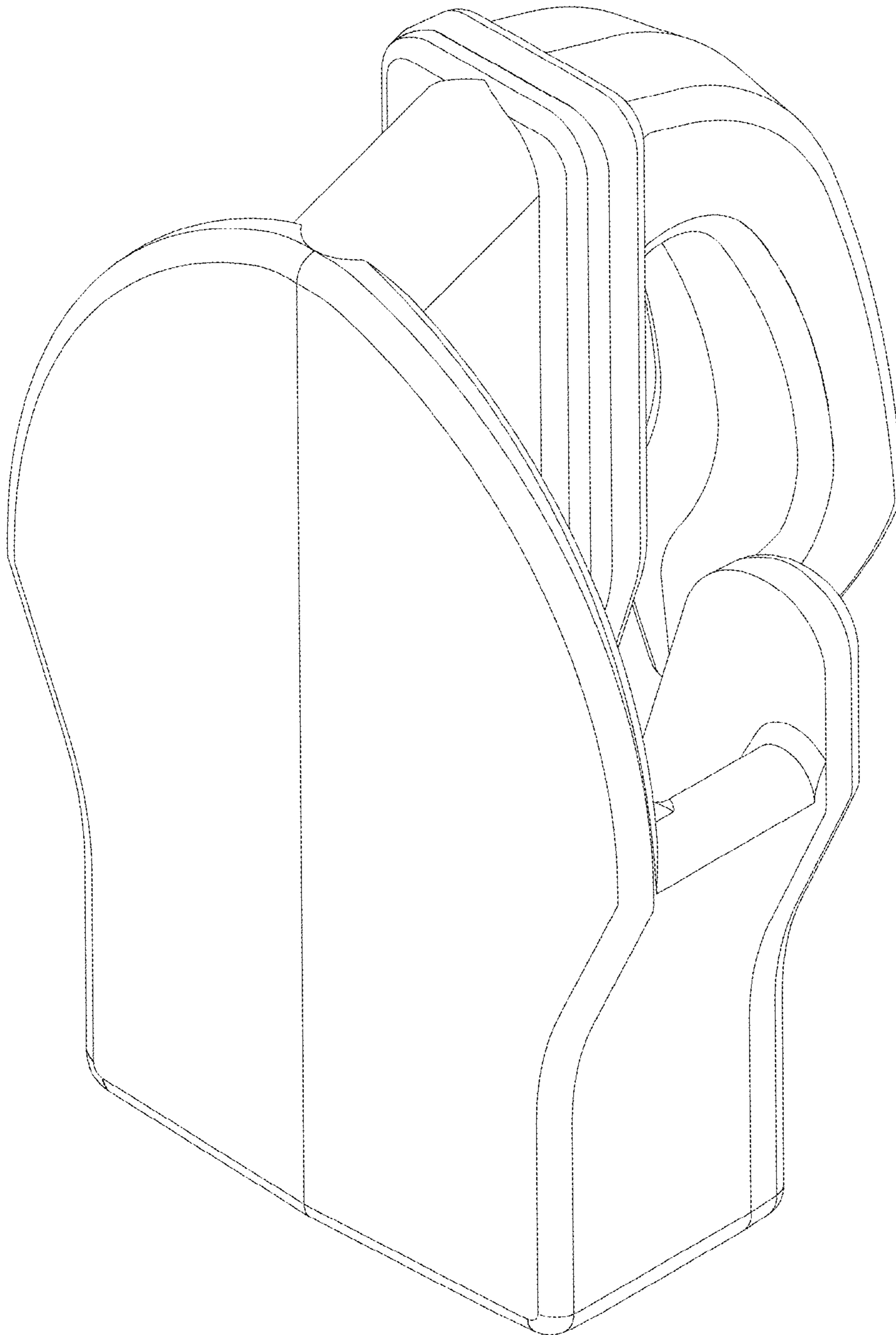


FIG. 8

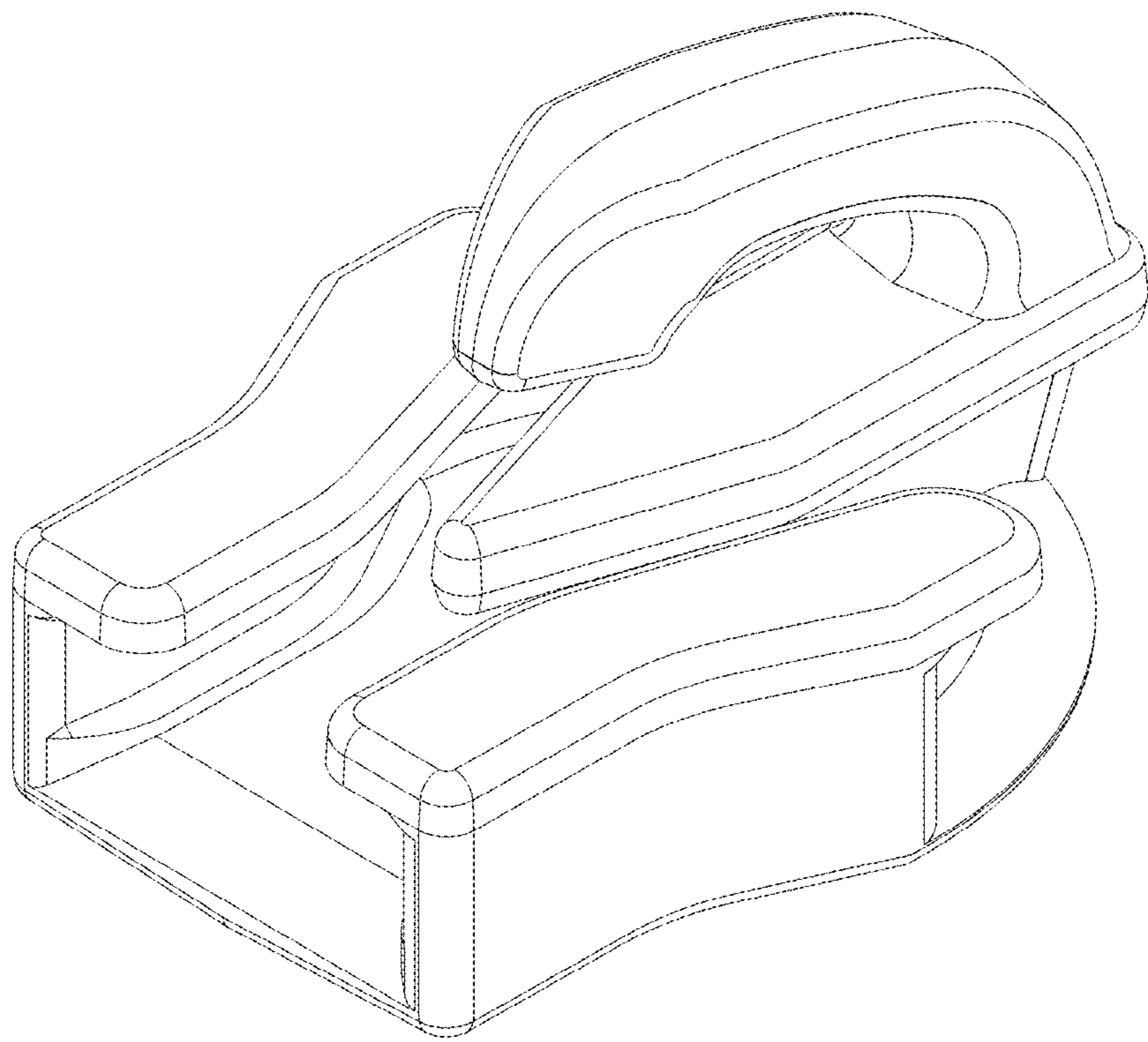


FIG. 9