



US00D804985S

(12) **United States Design Patent**
Wessel et al.

(10) **Patent No.:** **US D804,985 S**
(45) **Date of Patent:** **** Dec. 12, 2017**

- (54) **INCENSE BURNER**
- (71) Applicant: **TENNEN LLC**, Phoenix, AZ (US)
- (72) Inventors: **Ethan Christopher Wessel**, Phoenix, AZ (US); **Sarah Melinda Wessel**, Phoenix, AZ (US)
- (73) Assignee: **TENNEN LLC**, Phoenix, AZ (US)
- (**) Term: **15 Years**
- (21) Appl. No.: **29/578,119**
- (22) Filed: **Sep. 19, 2016**
- (51) **LOC (10) Cl.** **11-02**
- (52) **U.S. Cl.**
USPC **D11/131.1**
- (58) **Field of Classification Search**
USPC D11/131.1; D1/103, 127; D19/78, 103;
D27/104, 134, 135, 193; D28/20
CPC . A24F 15/18; A61L 9/03; A61L 9/122; F21V
33/0012; F22B 1/284
See application file for complete search history.

- D412,762 S * 8/1999 Miller D27/102
- D527,674 S * 9/2006 Biglarians D11/131.1
- D564,704 S * 3/2008 Chuang D27/103
- 7,736,605 B1 * 6/2010 Gomez A61L 9/03
362/161

OTHER PUBLICATIONS

Tennen Narrow Box Burner found online [Jun. 20, 2017] http://tennen.us/burners/narrow-box-burner-satin-brass.*

* cited by examiner

Primary Examiner — Robert M Spear
Assistant Examiner — John Voytek
(74) *Attorney, Agent, or Firm* — Greenberg Traurig LLP

(57) **CLAIM**

We claim the ornamental design for an incense burner, as shown and described.

DESCRIPTION

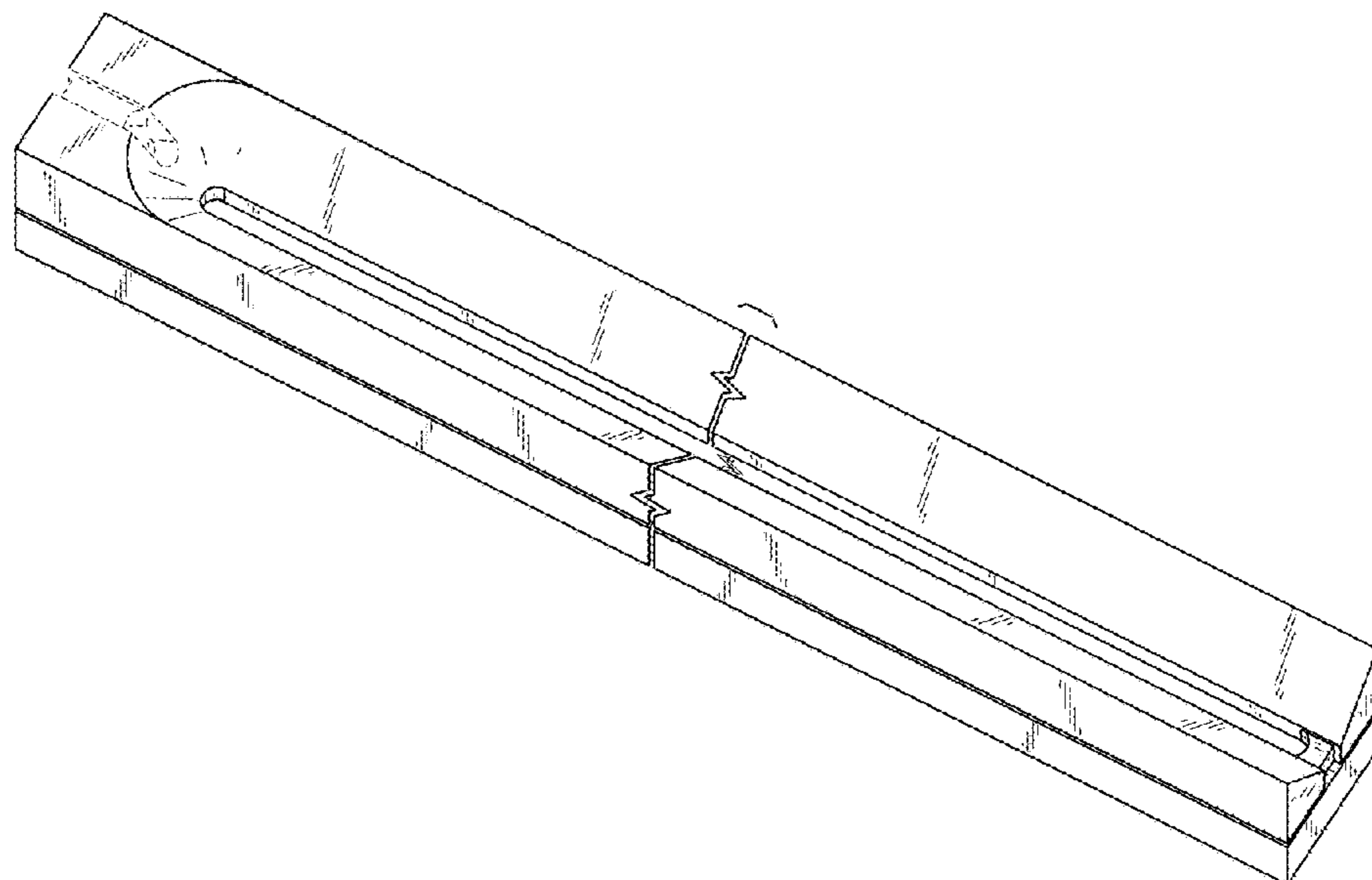
FIG. 1 is a perspective view of an incense burner;
FIG. 2 is a side view of the incense burner of FIG. 1;
FIG. 3 is a side view of the incense burner of FIG. 1 opposite to the side of FIG. 2;
FIG. 4 is a top view of the incense burner of FIG. 1;
FIG. 5 is a bottom view of the incense burner of FIG. 1;
FIG. 6 is an end view of the incense burner of FIG. 1; and,
FIG. 7 is an end view of the incense burner of FIG. 1 opposite to the end of FIG. 6.
The incense burner is shown with a symbolic break in its length. The appearance of any portion of the article between the break lines forms no part of the claimed design.
The features shown in broken lines depict environmental subject matter only and form no part of the claimed design.

1 Claim, 4 Drawing Sheets

(56) **References Cited**

U.S. PATENT DOCUMENTS

- 128,386 A * 6/1872 Guthman A24C 1/18
131/85
- 371,901 A * 10/1887 Russell A24F 19/0014
131/240.1
- D217,942 S * 6/1970 Angelakos 131/240.1
- D264,869 S * 6/1982 Gordon D11/131.1
- D379,471 S * 5/1997 Gilbert D1/127
- D387,473 S * 12/1997 Angelakos D27/135
- 5,873,370 A * 2/1999 Towle A24F 19/10
131/190



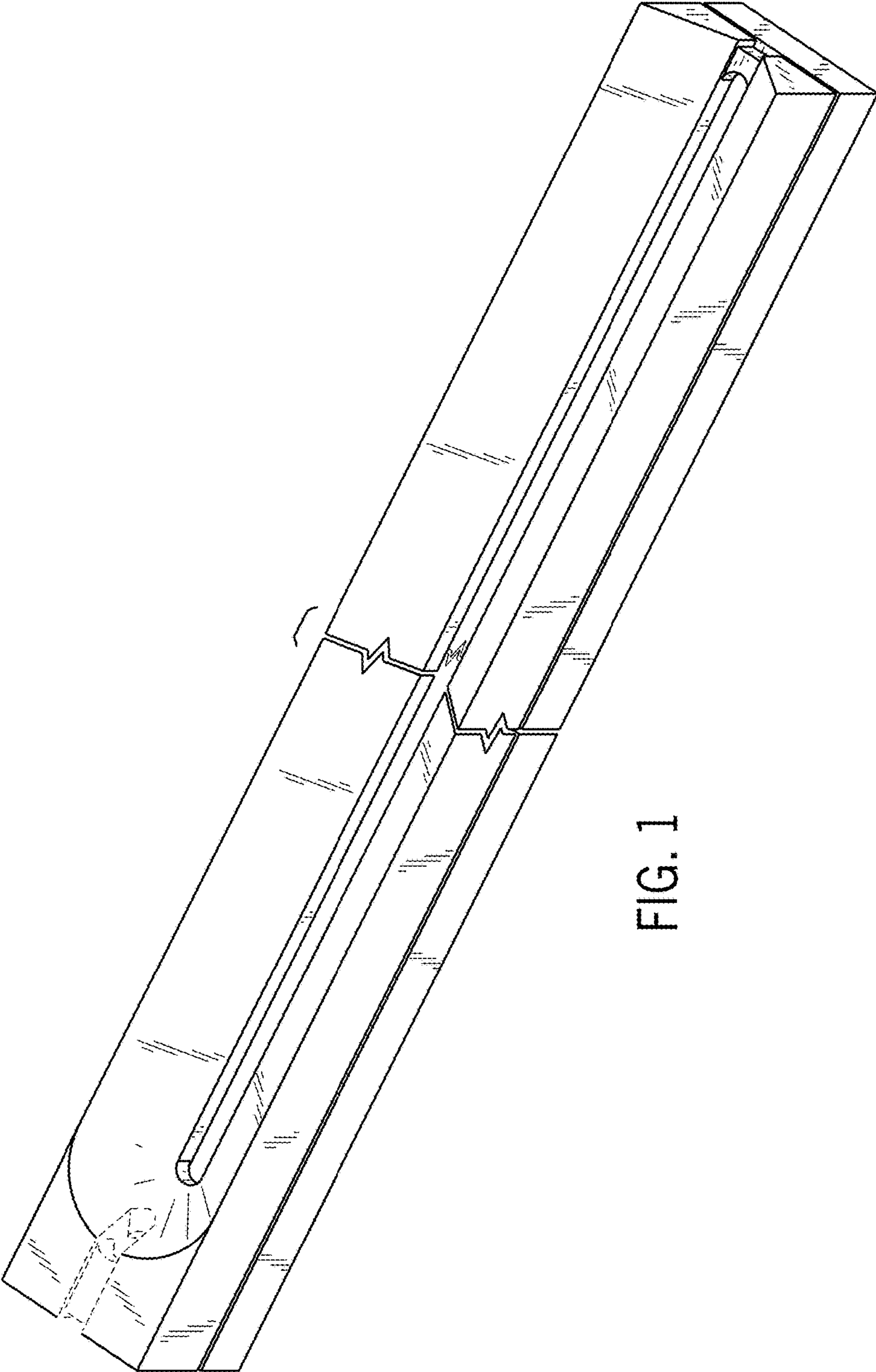


FIG. 1

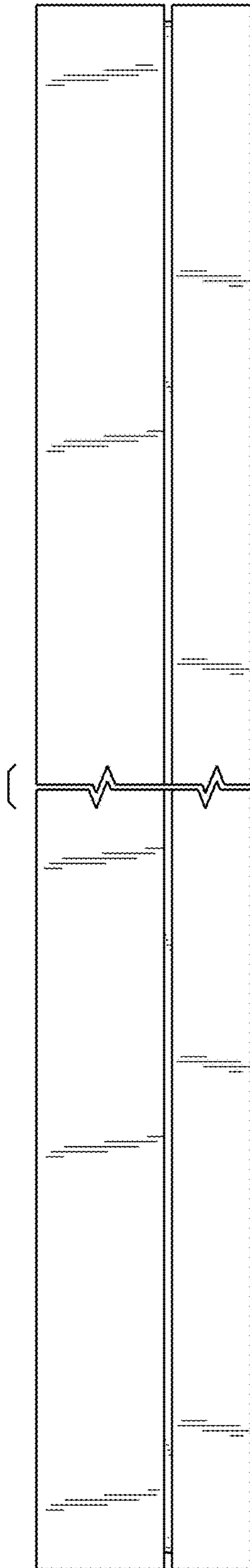


FIG. 2

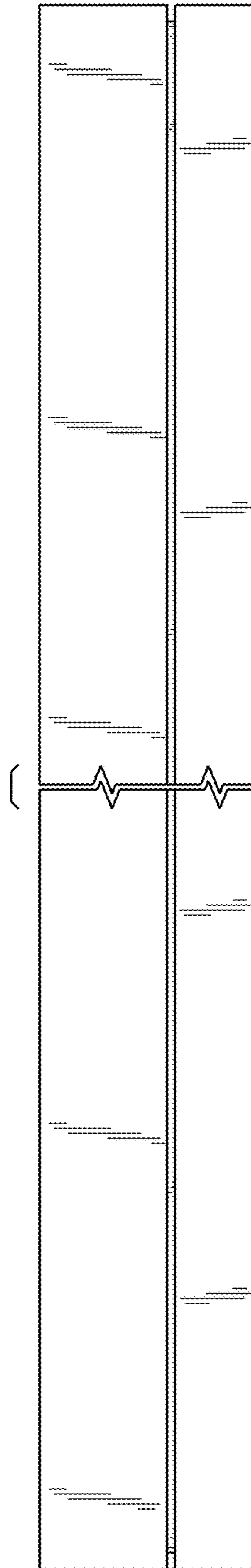


FIG. 3

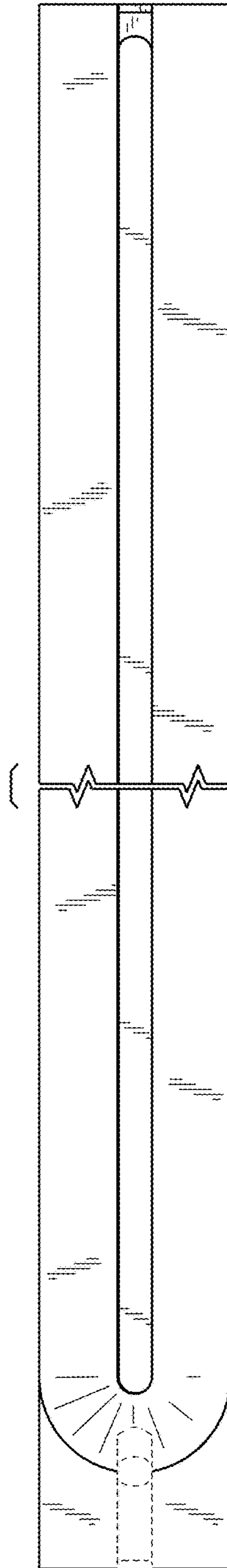


FIG. 4

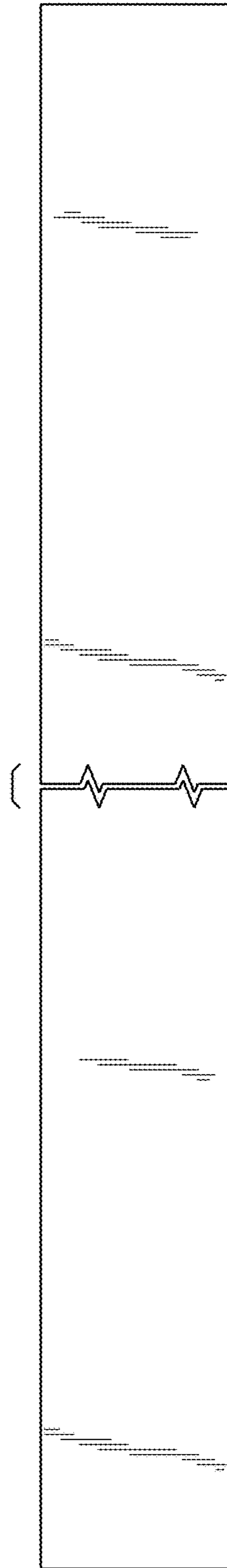


FIG. 5

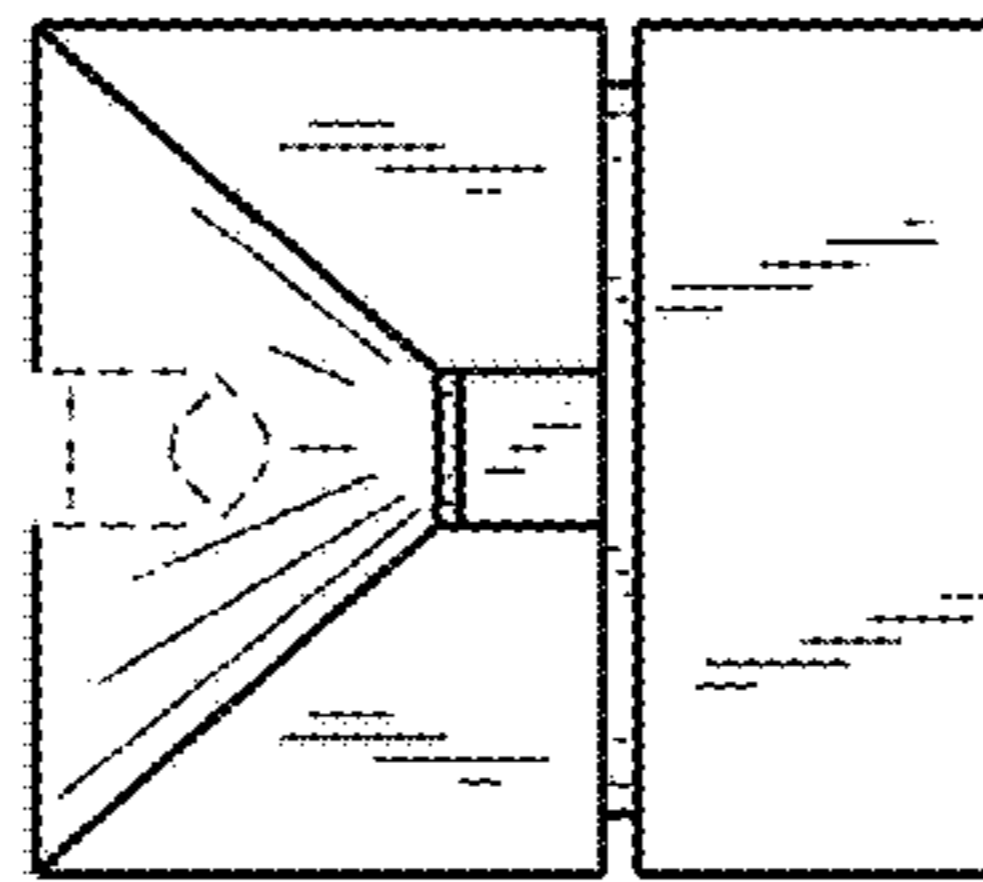


FIG. 7

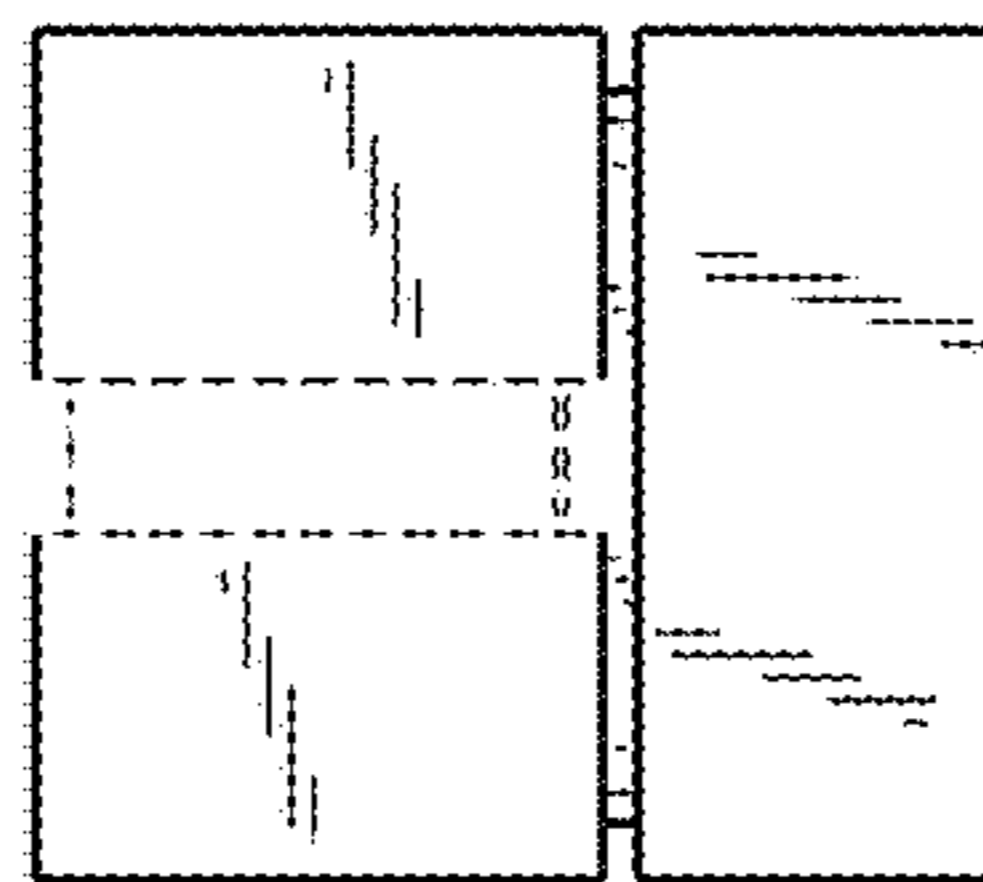


FIG. 6