



(12) **United States Design Patent** (10) **Patent No.:** **US D804,984 S**
Shah (45) **Date of Patent:** **** Dec. 12, 2017**

(54) **ARTICLE OF JEWELRY**

(71) Applicant: **Kiran Jewels Inc.**, New York, NY (US)

(72) Inventor: **Tejas Shah**, New York, NY (US)

(73) Assignee: **KIRAN JEWELS INC.**, New York, NY (US)

(**) Term: **15 Years**

(21) Appl. No.: **29/604,710**

(22) Filed: **May 19, 2017**

Related U.S. Application Data

(62) Division of application No. 29/590,516, filed on Jan. 11, 2017, now Pat. No. Des. 798,761.

(51) **LOC (10) Cl.** **11-01**

(52) **U.S. Cl.**
USPC **D11/91**

(58) **Field of Classification Search**
USPC D11/1-2, 26-39, 89-92

(Continued)

(56) **References Cited**

U.S. PATENT DOCUMENTS

D251,659 S 4/1979 Grossbard
D400,121 S 10/1998 Ambar

(Continued)

Primary Examiner — Cynthia Ramirez

Assistant Examiner — Llorellys Martinez-Rivera

(74) *Attorney, Agent, or Firm* — Hodgson Russ LLP

(57) **CLAIM**

The ornamental design for article of jewelry, as shown and described.

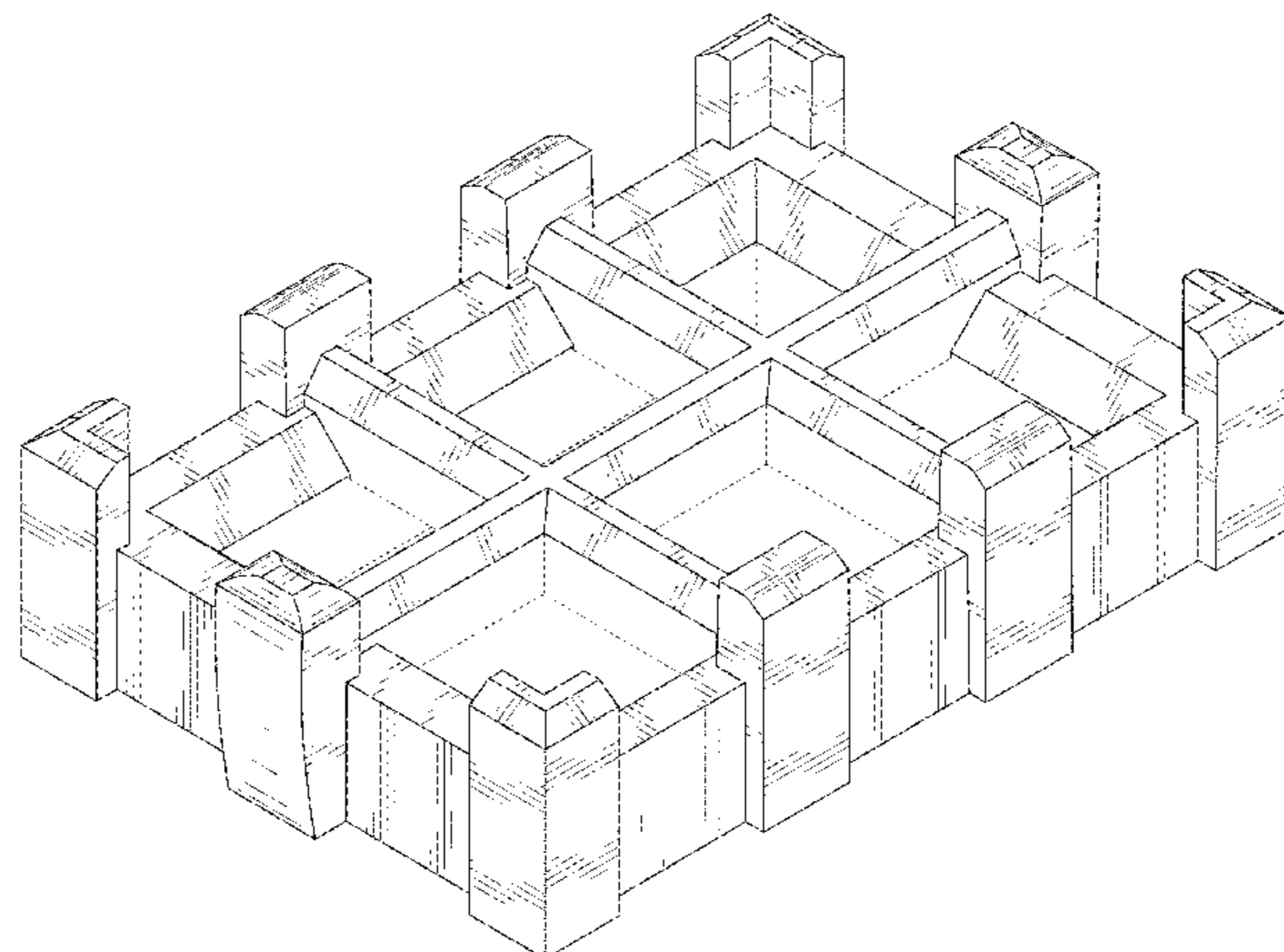
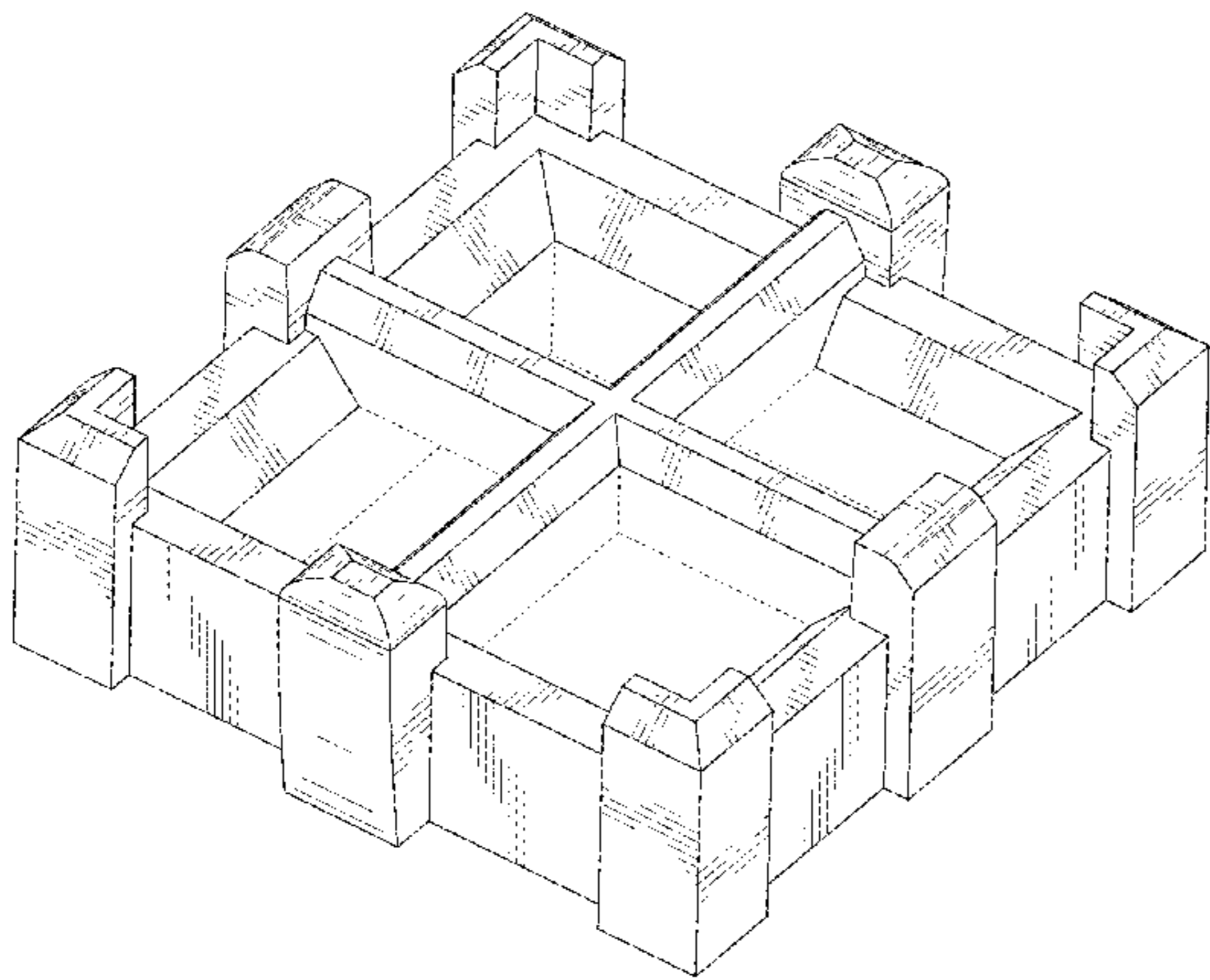
DESCRIPTION

FIG. 1 is a top perspective view of a first embodiment of an article of jewelry, showing my new design;

FIG. 2 is a bottom perspective view thereof;
 FIG. 3 is a left side elevational view thereof;
 FIG. 4 is a right side elevational view thereof;
 FIG. 5 is a front elevational view thereof;
 FIG. 6 is a rear elevational view thereof;
 FIG. 7 is a top plan view thereof;
 FIG. 8 is a bottom plan view thereof;
 FIG. 9 is a top perspective view of a second embodiment of an article of jewelry;
 FIG. 10 is a bottom perspective view thereof;
 FIG. 11 is a left side elevational view thereof;
 FIG. 12 is a right side elevational view thereof;
 FIG. 13 is a front elevational view thereof;
 FIG. 14 is a rear elevational view thereof;
 FIG. 15 is a top plan view thereof;
 FIG. 16 is a bottom plan view thereof;
 FIG. 17 is a top perspective view of a third embodiment of an article of jewelry;
 FIG. 18 is a bottom perspective view thereof;
 FIG. 19 is a left side elevational view thereof;
 FIG. 20 is a right side elevational view thereof;
 FIG. 21 is a front elevational view thereof;
 FIG. 22 is a rear elevational view thereof;
 FIG. 23 is a top plan view thereof;
 FIG. 24 is a bottom plan view thereof;
 FIG. 25 is a top perspective view of a fourth embodiment of an article of jewelry;
 FIG. 26 is a bottom perspective view thereof;
 FIG. 27 is a left side elevational view thereof;
 FIG. 28 is a right side elevational view thereof;
 FIG. 29 is a front elevational view thereof;
 FIG. 30 is a rear elevational view thereof;
 FIG. 31 is a top plan view thereof; and,
 FIG. 32 is a bottom plan view thereof.

The broken lines shown in the drawings illustrate portions of the article of jewelry that form no part of the claimed design.

1 Claim, 24 Drawing Sheets



(58) **Field of Classification Search**

CPC A44C 1/00; A44C 17/00; A44C 17/001;
 A44C 17/002; A44C 17/003; A44C
 17/005; A44C 17/007; A44C 17/008;
 A44C 17/02; A44C 17/0208; A44C
 17/0241; A44C 17/025; A44C 17/04;
 A44C 17/046; A44C 9/00; A44C 9/0007;
 A44C 9/0015; A44C 9/0053; A44C
 9/0061; A44C 9/0069; A44C 9/0076;
 A44C 25/001

See application file for complete search history.

D453,706 S * 2/2002 Lai D11/91
 D454,517 S 3/2002 Yuan
 D457,091 S * 5/2002 Lai D11/91
 D457,092 S * 5/2002 Lai D11/91
 D457,095 S * 5/2002 Lai D11/92
 D457,832 S * 5/2002 Lai D11/92
 6,389,846 B1 5/2002 Siebenberg
 D459,679 S * 7/2002 Patumraj D11/91
 D460,381 S 7/2002 Lai
 D461,740 S * 8/2002 Lai D11/91
 D468,228 S * 1/2003 Gurevich D11/91
 D473,816 S 4/2003 Gurevich
 D478,528 S 8/2003 Mehta
 D480,659 S * 10/2003 Pachauer A44C 17/04
 D11/91

(56) **References Cited**

U.S. PATENT DOCUMENTS

D411,134 S 6/1999 Lai
 D414,442 S 9/1999 Canale
 6,003,335 A 12/1999 Gurevich
 D425,817 S 5/2000 Gurevich
 D427,934 S 7/2000 Lai
 D430,061 S 8/2000 Chan
 D431,204 S 9/2000 Gurevich
 D432,448 S 10/2000 Lai
 D434,694 S 12/2000 Lai
 D439,191 S * 3/2001 Wolf D11/26
 D440,902 S 4/2001 Wolf
 RE37,189 E * 5/2001 Lai A44C 17/02
 D11/91
 D442,514 S * 5/2001 Chan D11/91
 RE37,201 E * 6/2001 Lai A44C 17/02
 D11/91
 D443,553 S 6/2001 Chan
 D445,355 S * 7/2001 Lai D11/91
 D446,154 S 8/2001 Lai
 6,293,129 B1 * 9/2001 Gurevich A44C 17/04
 63/26
 6,298,689 B1 * 10/2001 Lai A44C 17/005
 63/26

D534,095 S 12/2006 Lai
 D547,232 S 7/2007 Lai
 D553,541 S 10/2007 Lai
 7,444,835 B2 11/2008 Mehta
 D583,702 S 12/2008 Habif
 D584,992 S 1/2009 Mehta
 D596,981 S 7/2009 Hodara
 7,802,449 B1 9/2010 Levitt
 D655,219 S 3/2012 Kothari
 D664,883 S 8/2012 Parikh
 D678,112 S 3/2013 Jhaveri
 D695,147 S 12/2013 Jhaveri
 D705,115 S * 5/2014 Doron D11/92
 D727,781 S 4/2015 Ghassabian
 D773,953 S * 12/2016 Vaghani D11/90
 D785,496 S * 5/2017 Shah D11/90
 2005/0188722 A1 * 9/2005 Nevatia A44C 17/046
 63/26
 2009/0100870 A1 * 4/2009 Lai A44C 17/02
 63/28
 2010/0319399 A1 12/2010 Mandell
 2014/0190209 A1 7/2014 Lipton
 2017/0020245 A1 * 1/2017 Parikh A44C 17/02

* cited by examiner

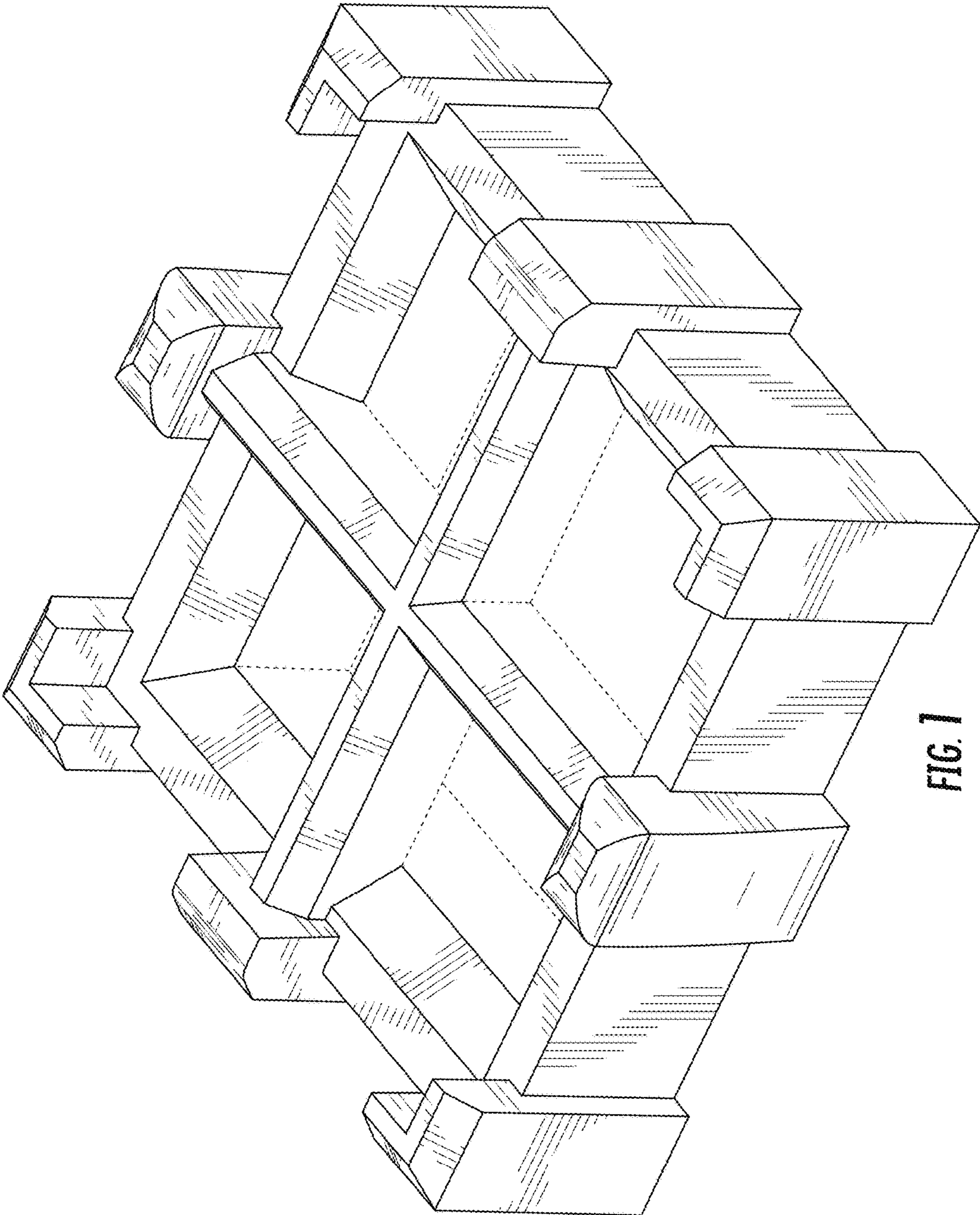


FIG. 1

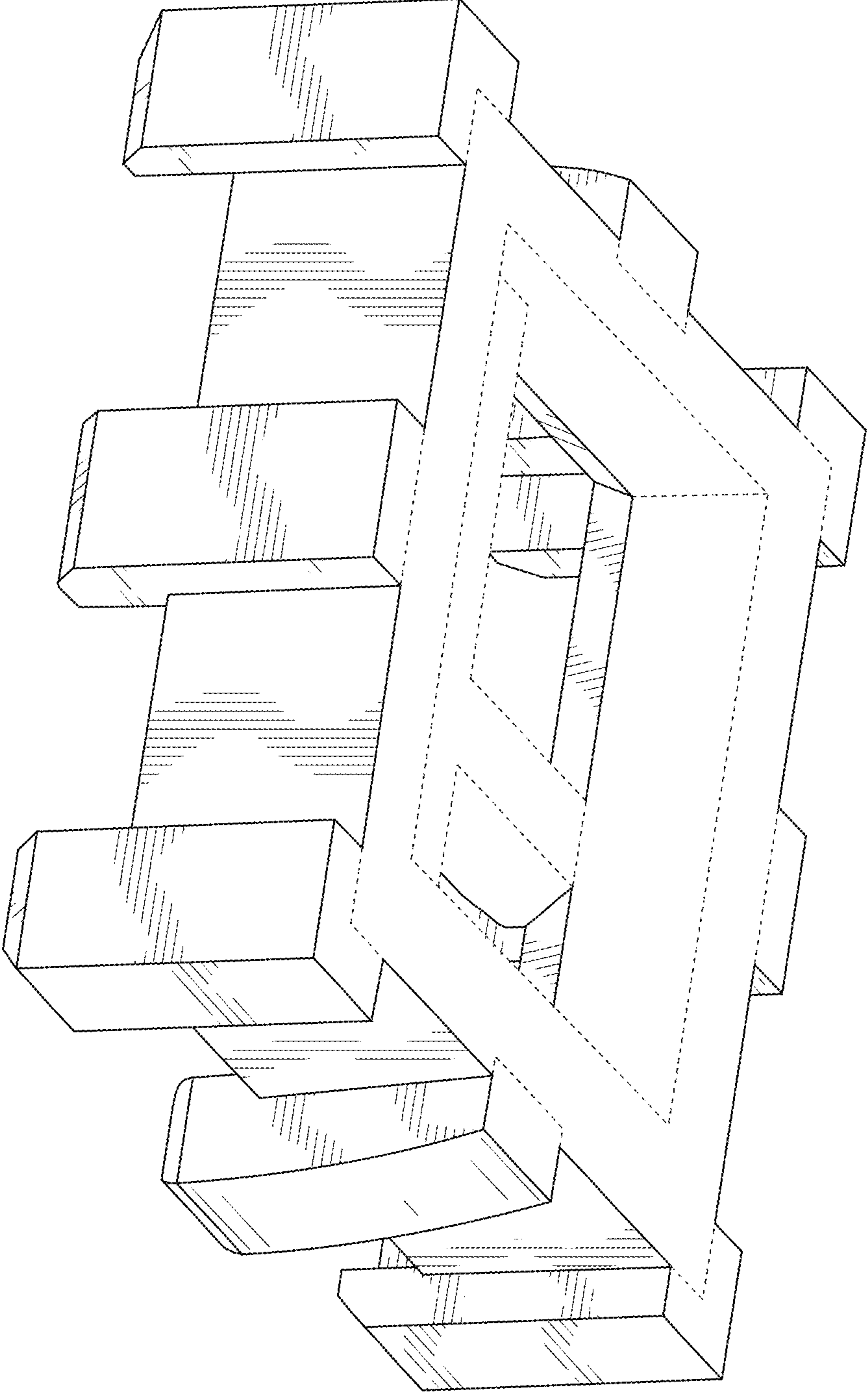


FIG. 2

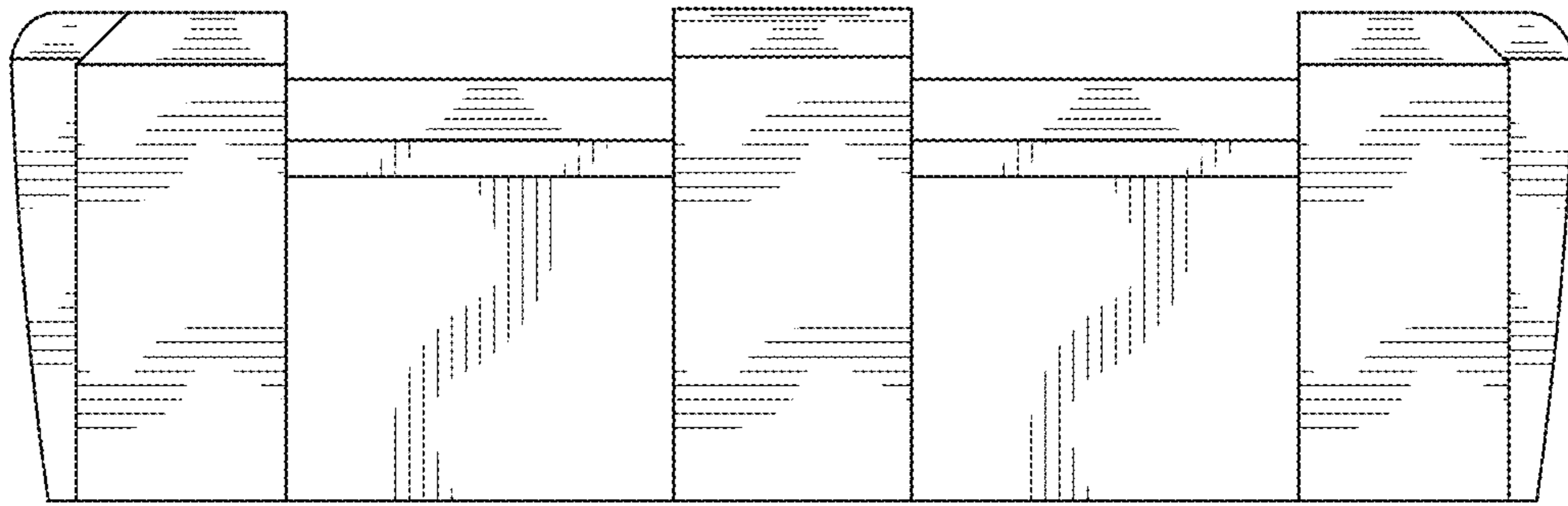


FIG. 3

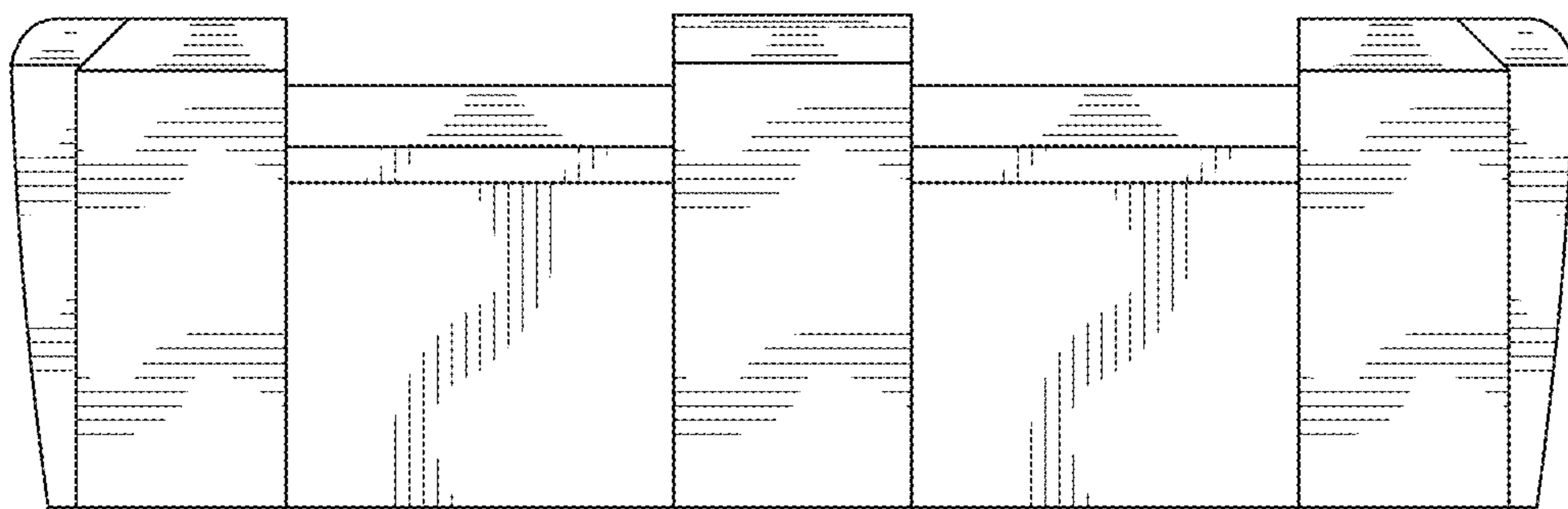


FIG. 4

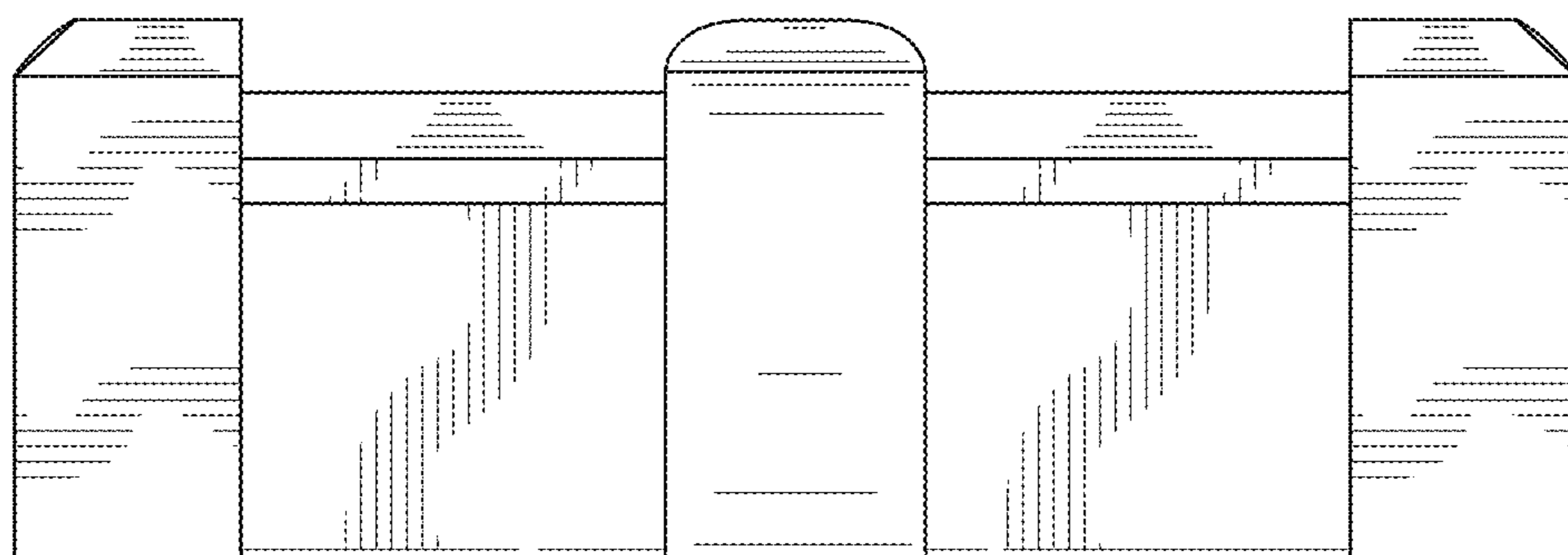


FIG. 5

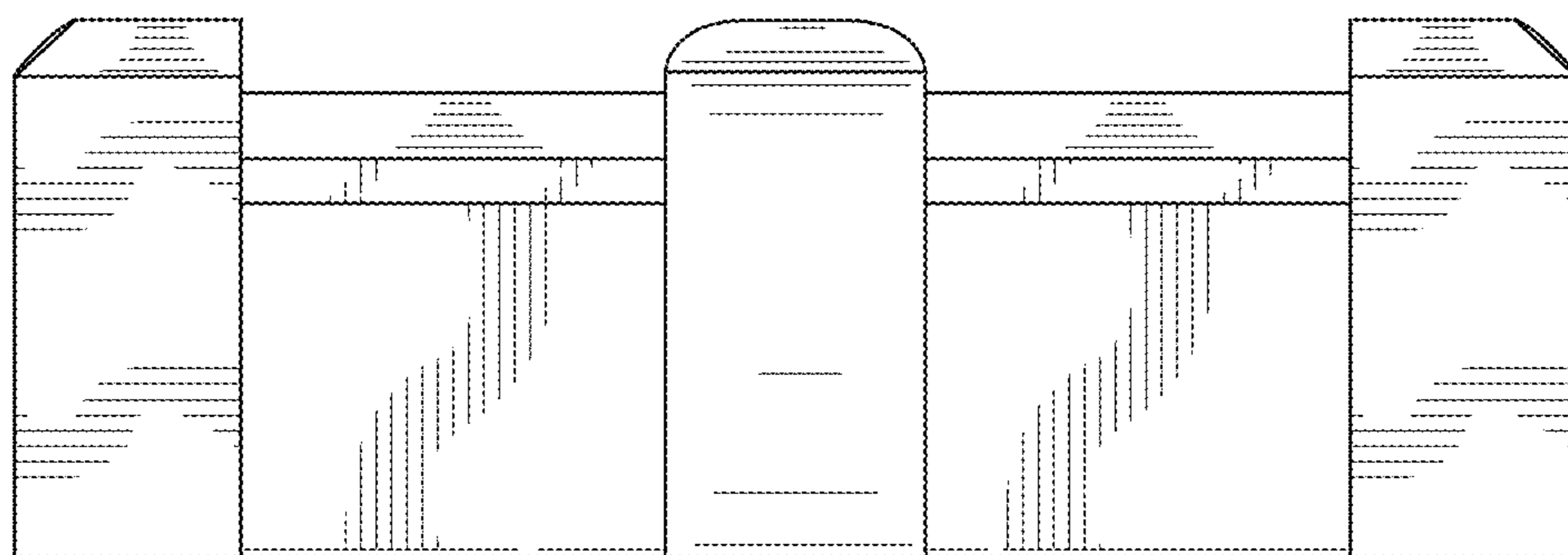


FIG. 6

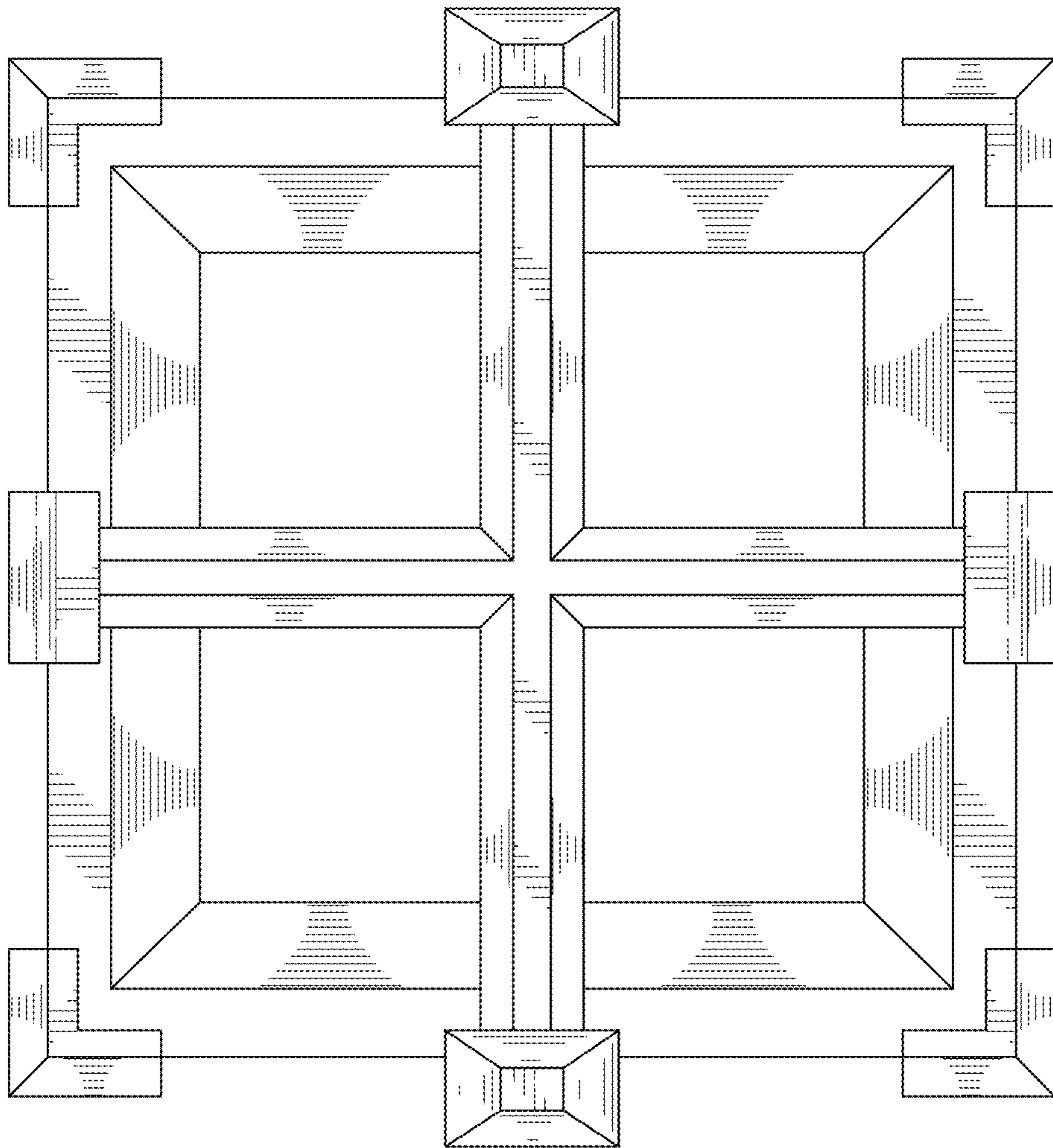


FIG. 7

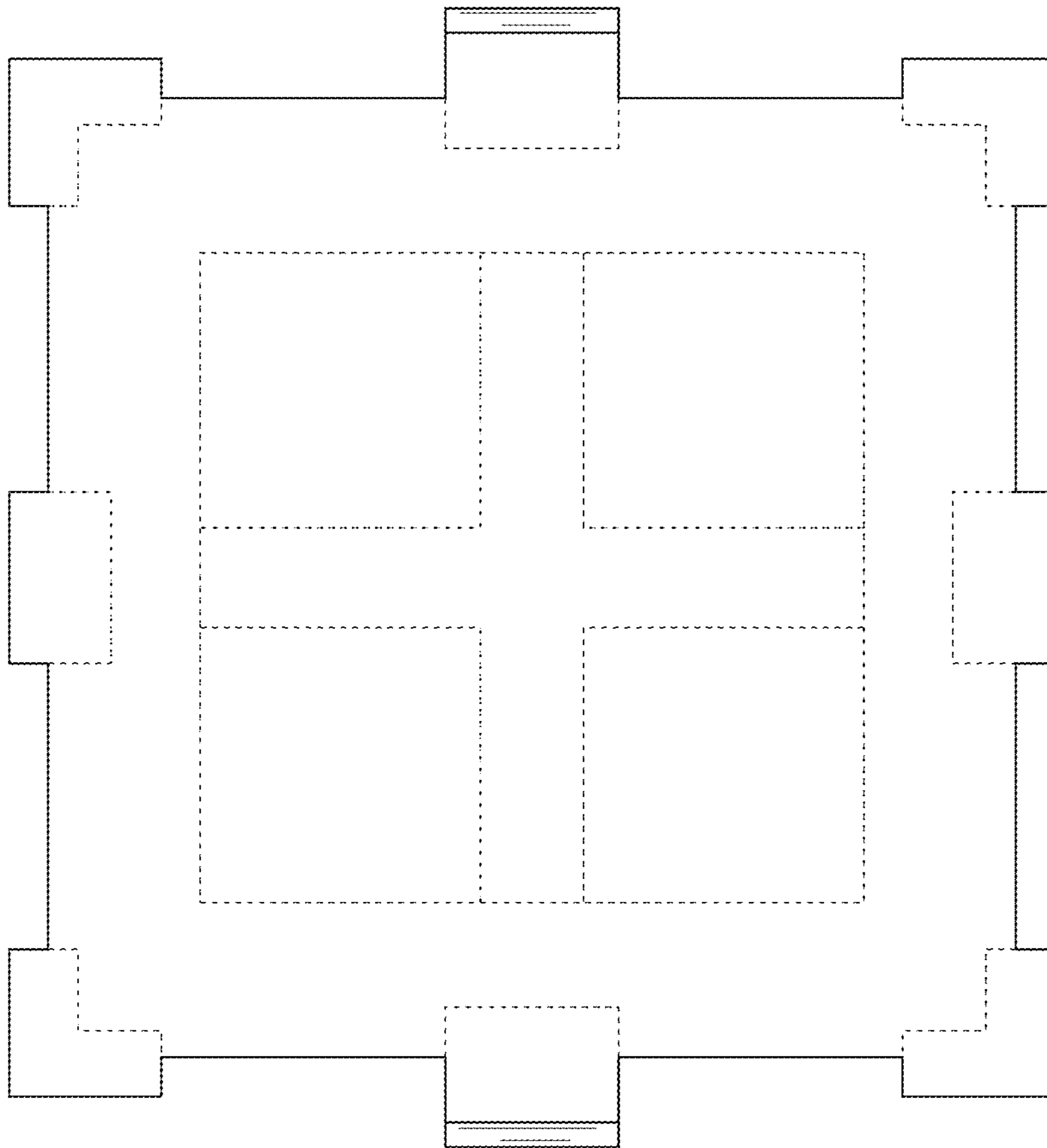


FIG. 8

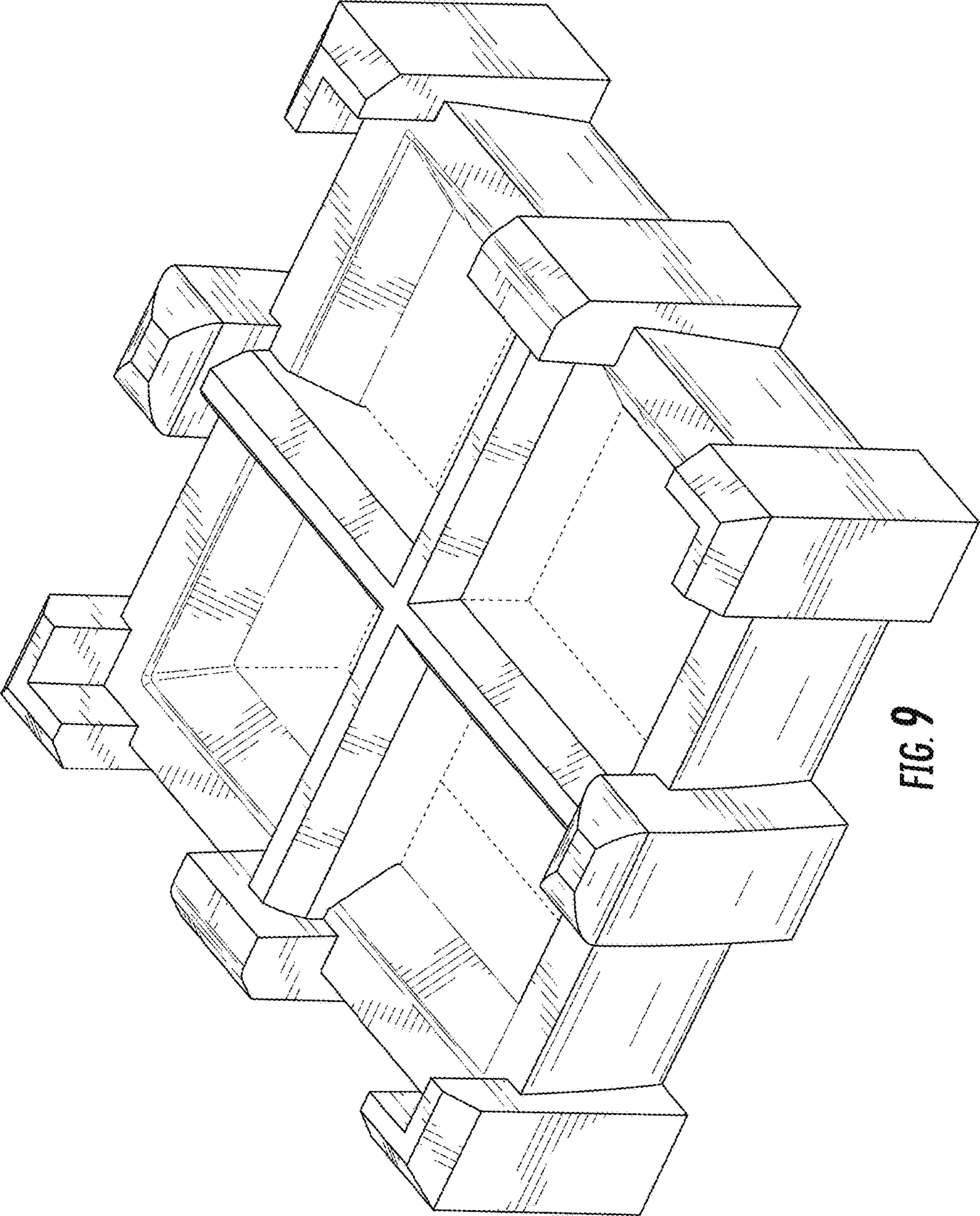


FIG. 9

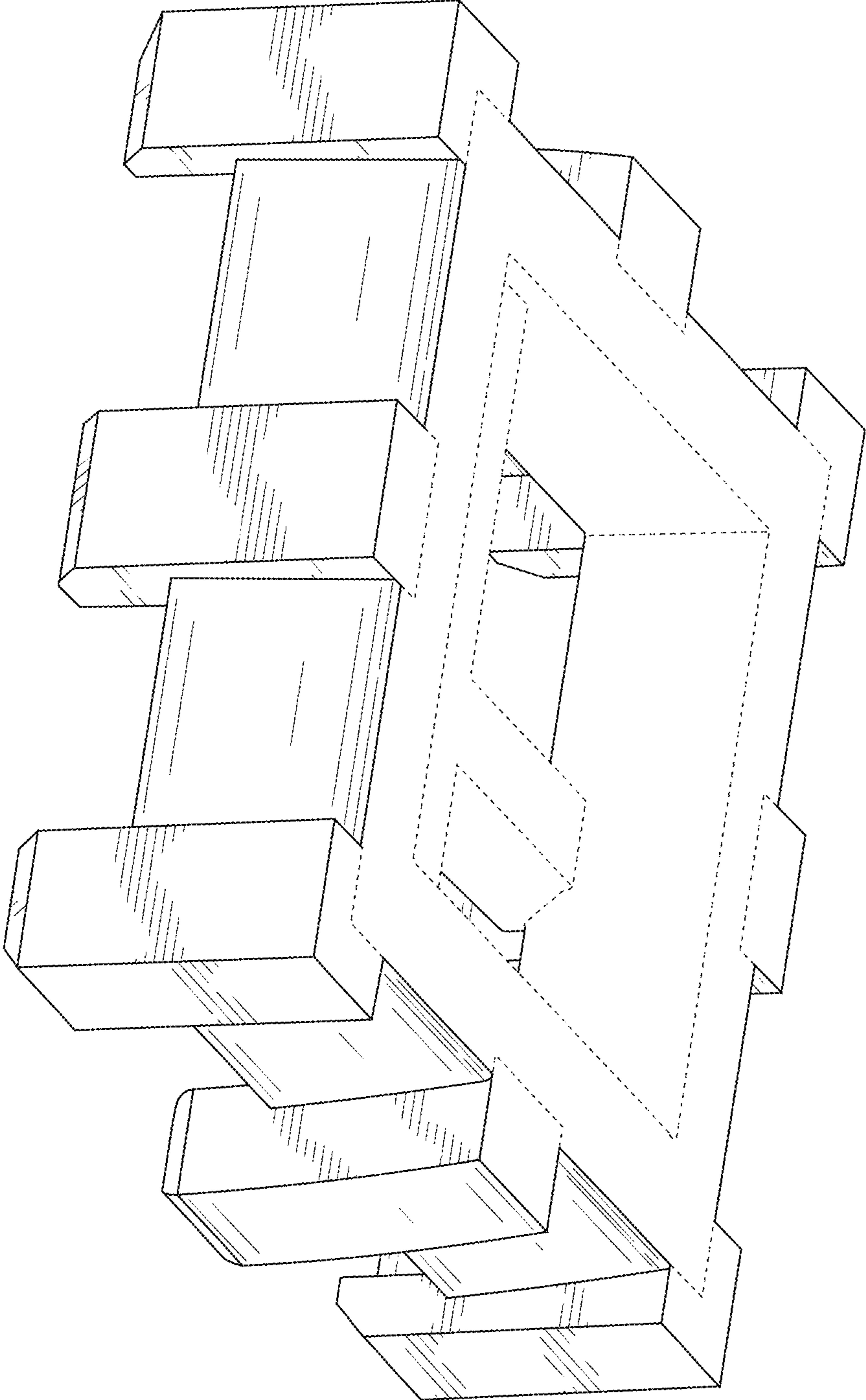


FIG. 10

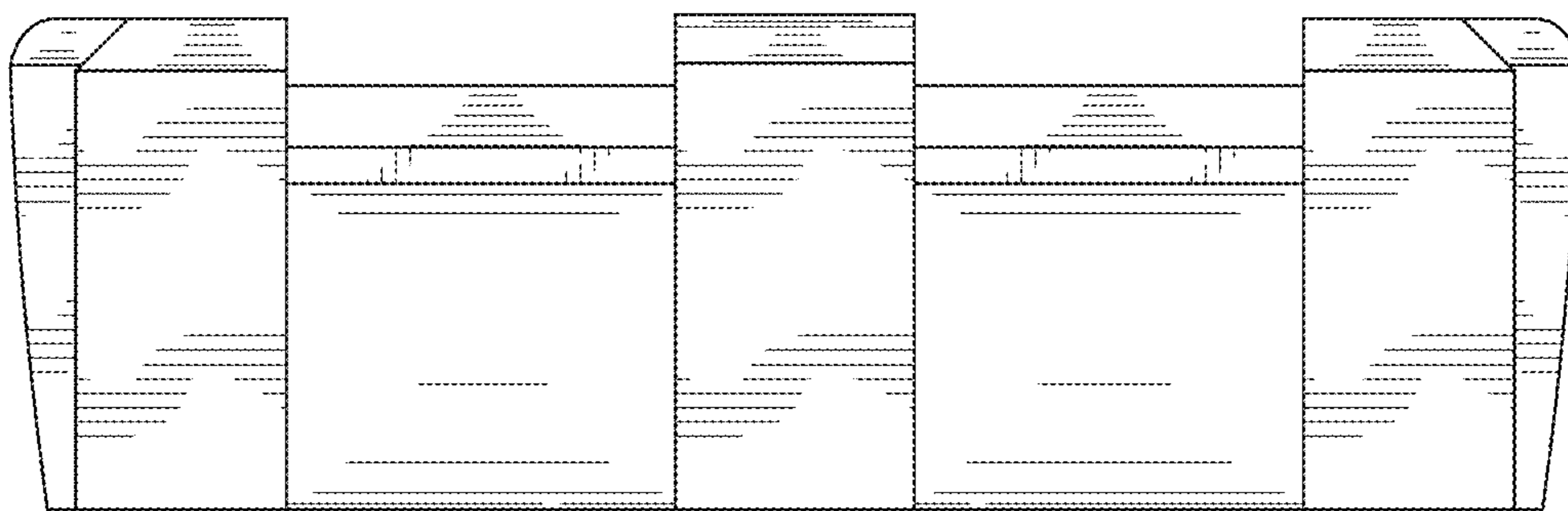


FIG. 11



FIG. 12

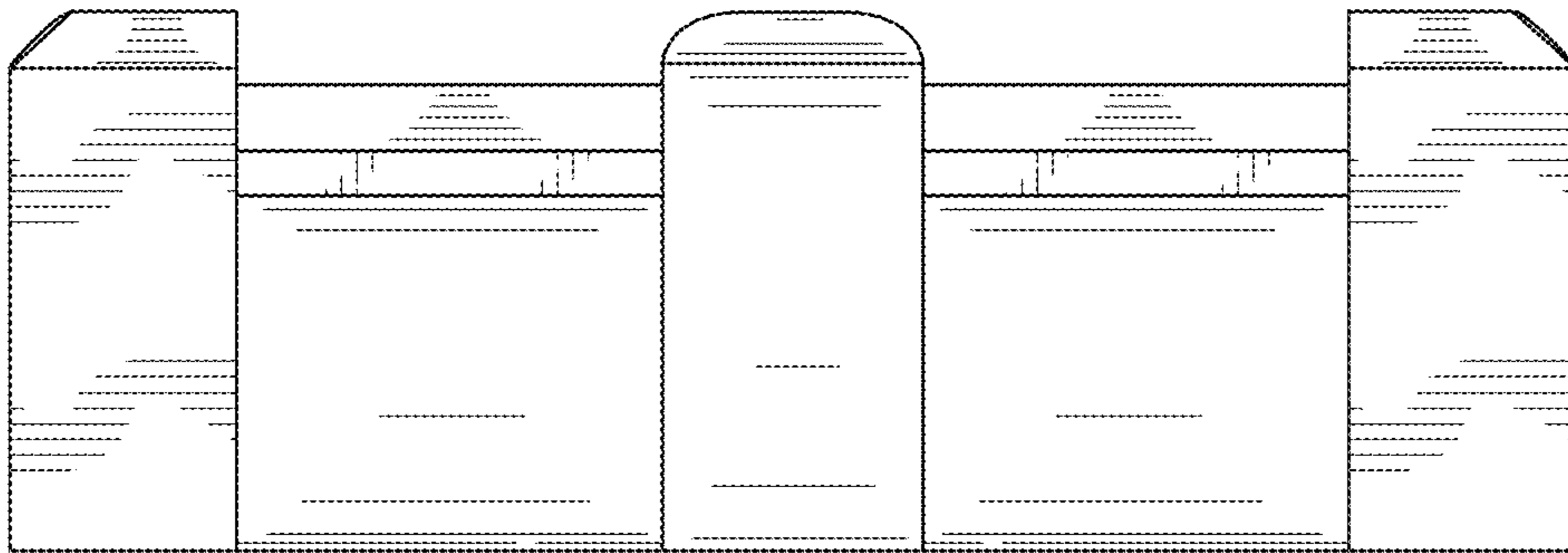


FIG. 13

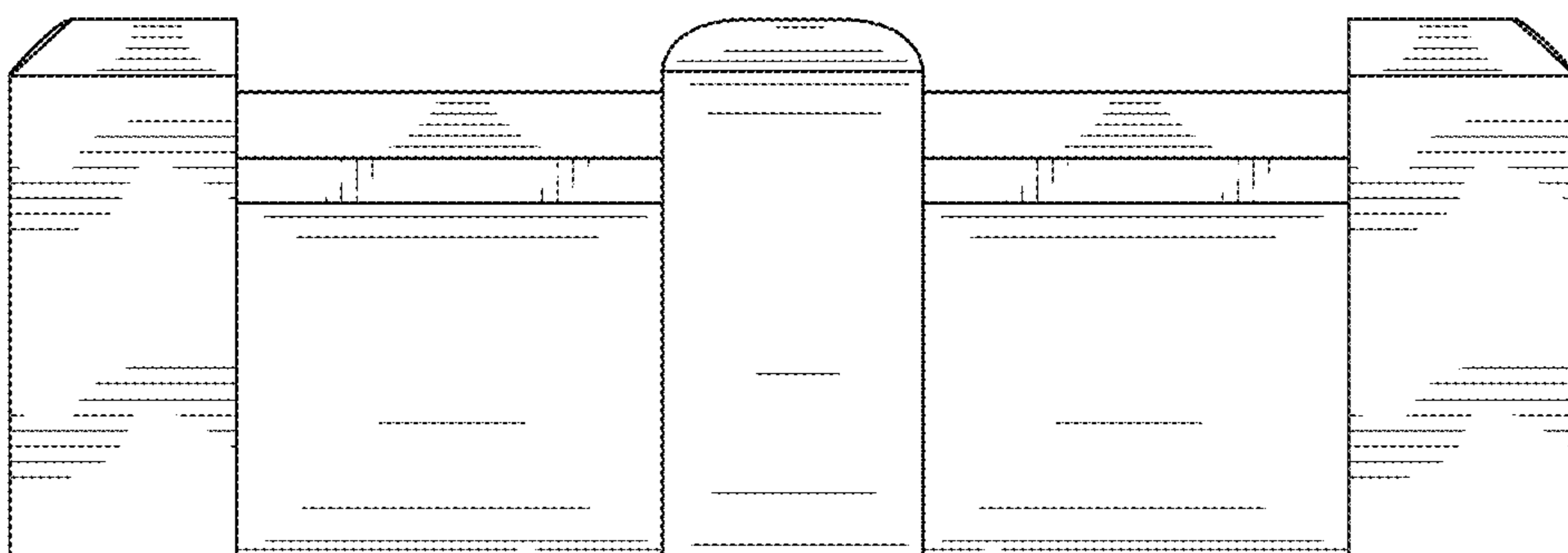


FIG. 14

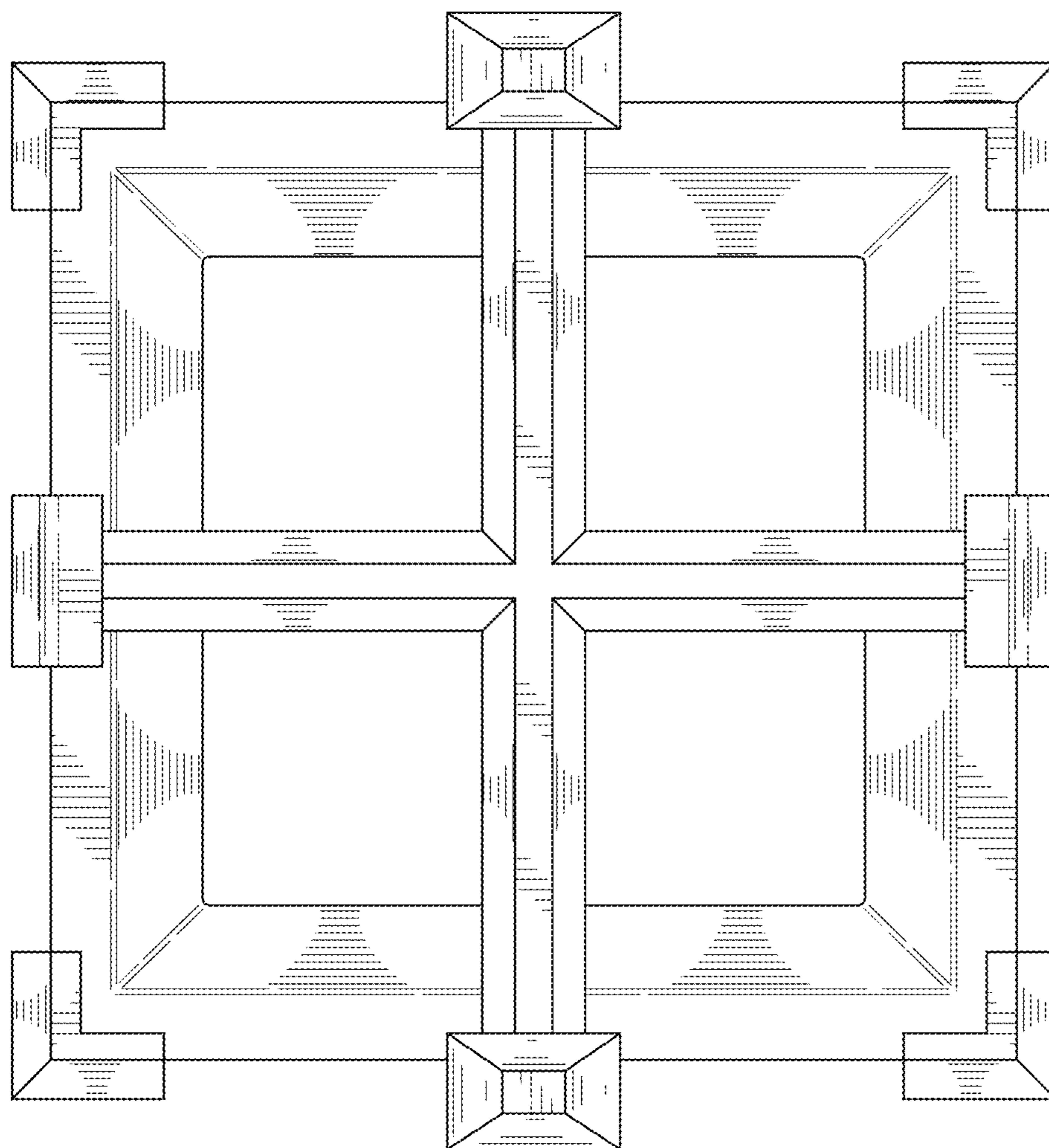


FIG. 15

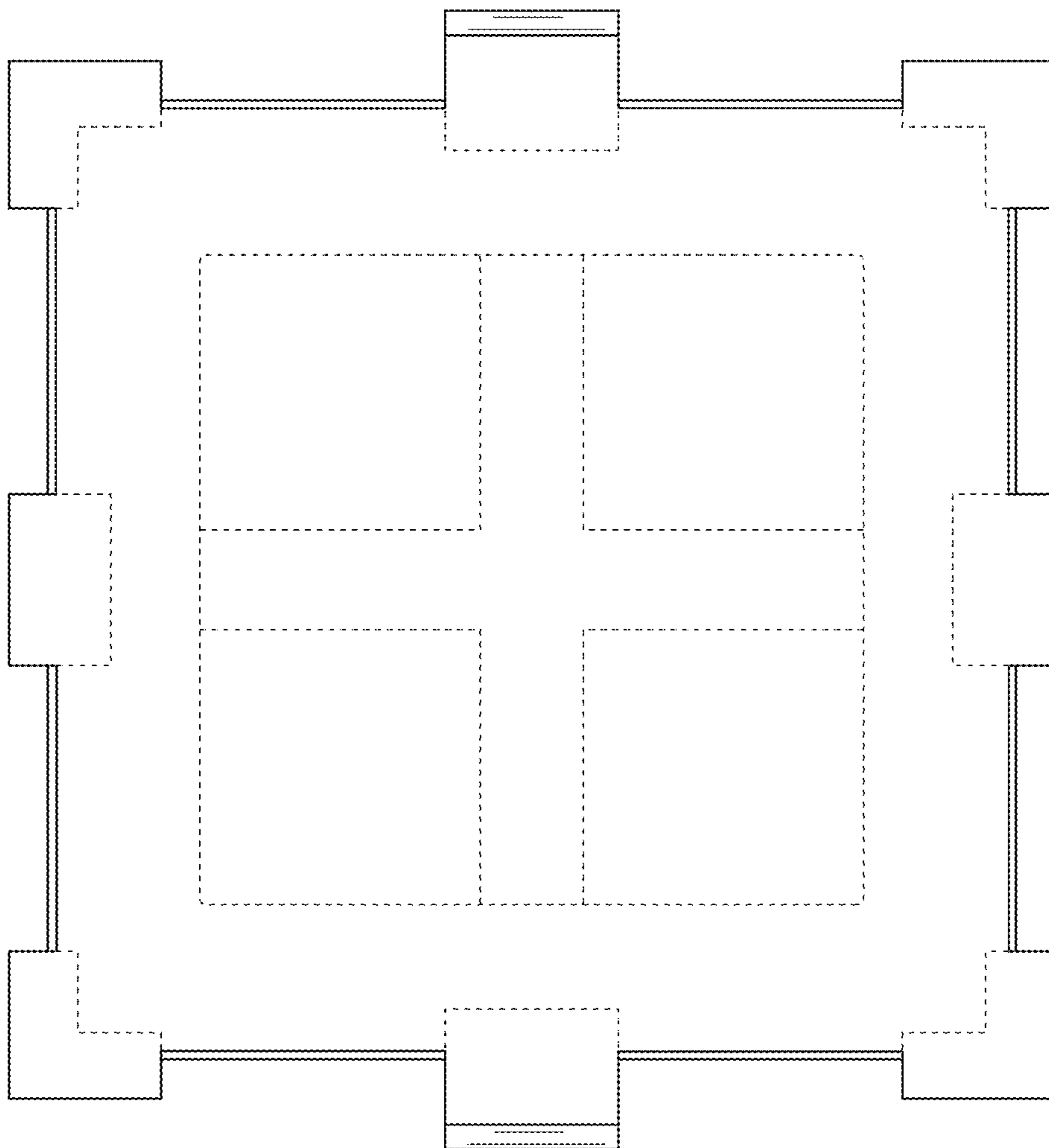


FIG. 16

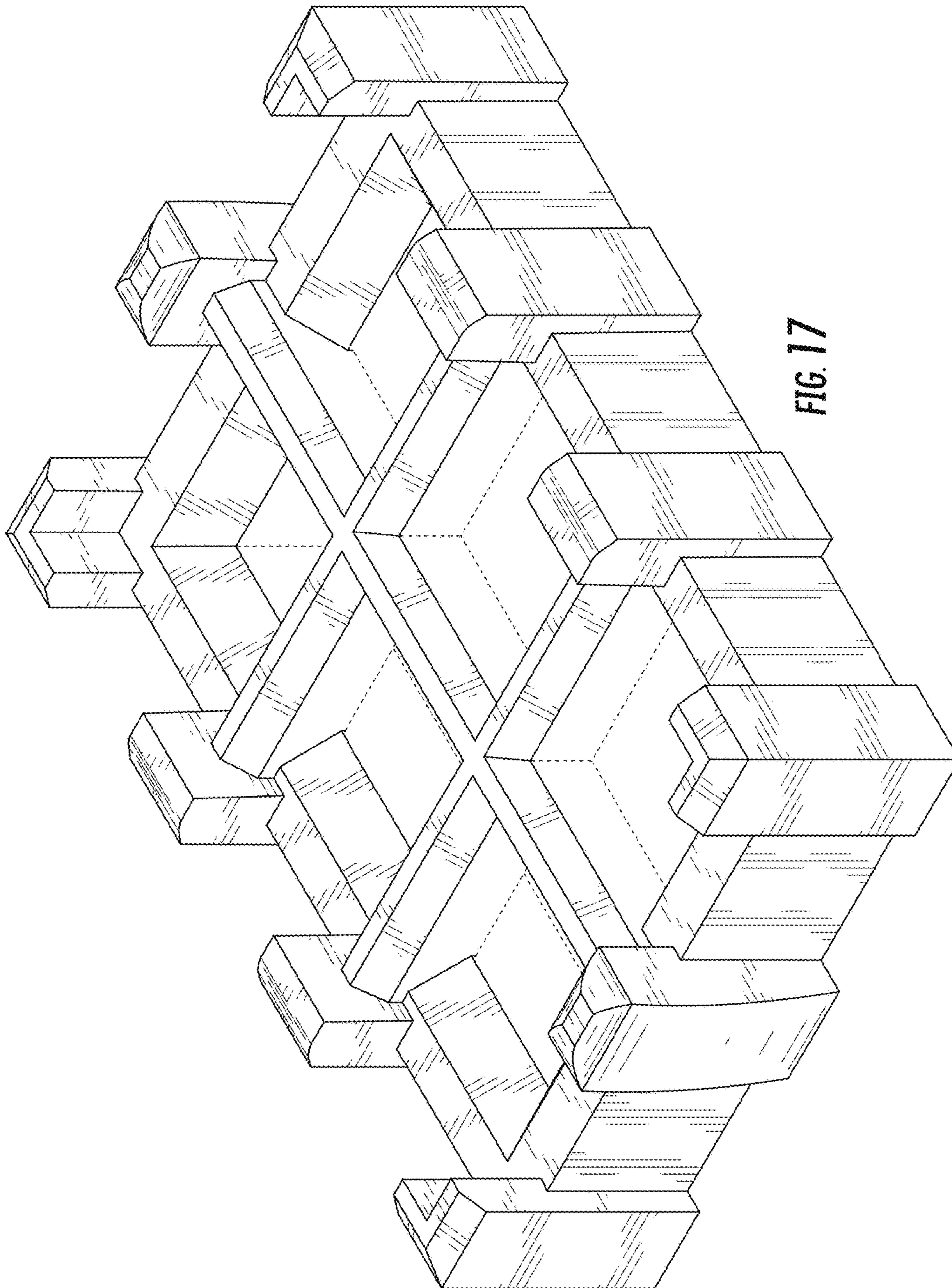


FIG. 17

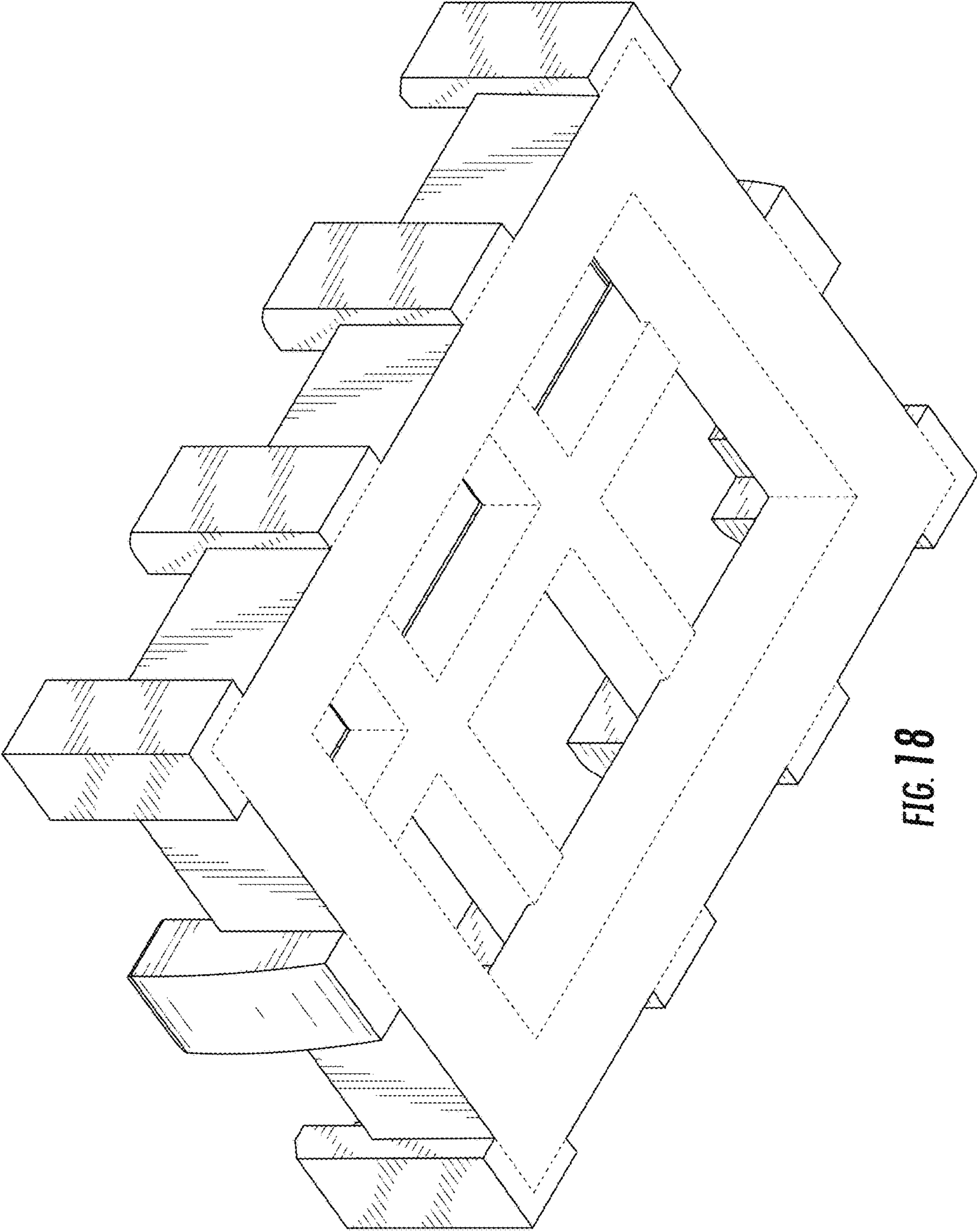


FIG. 18

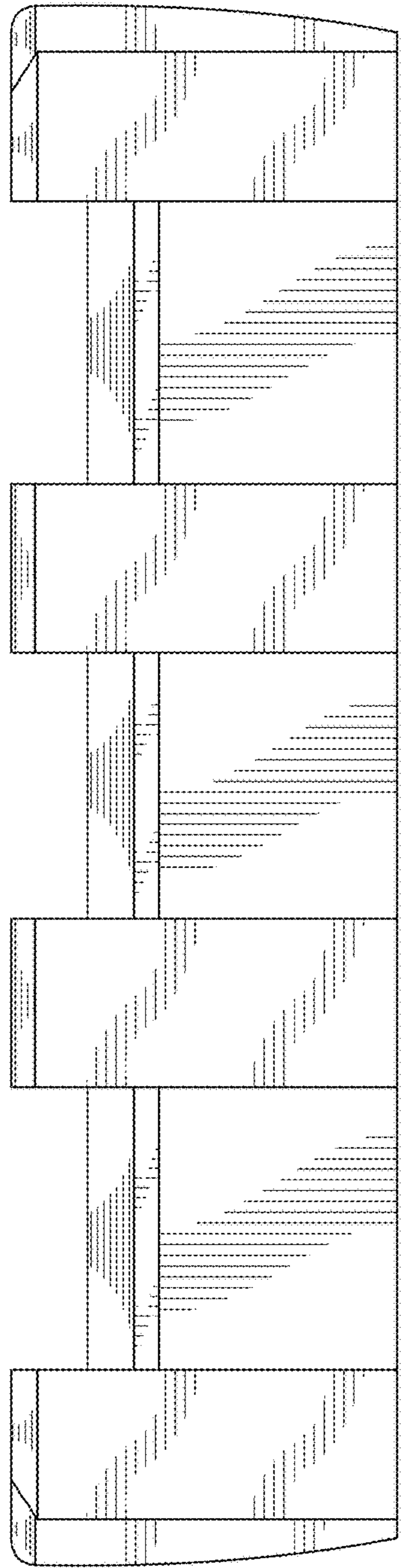


FIG. 19

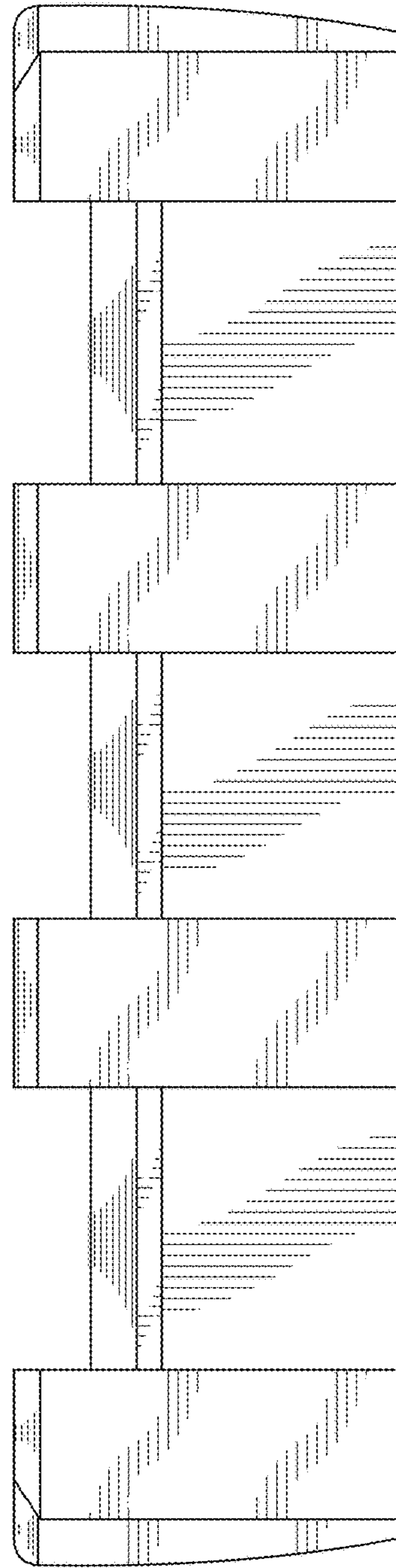


FIG. 20

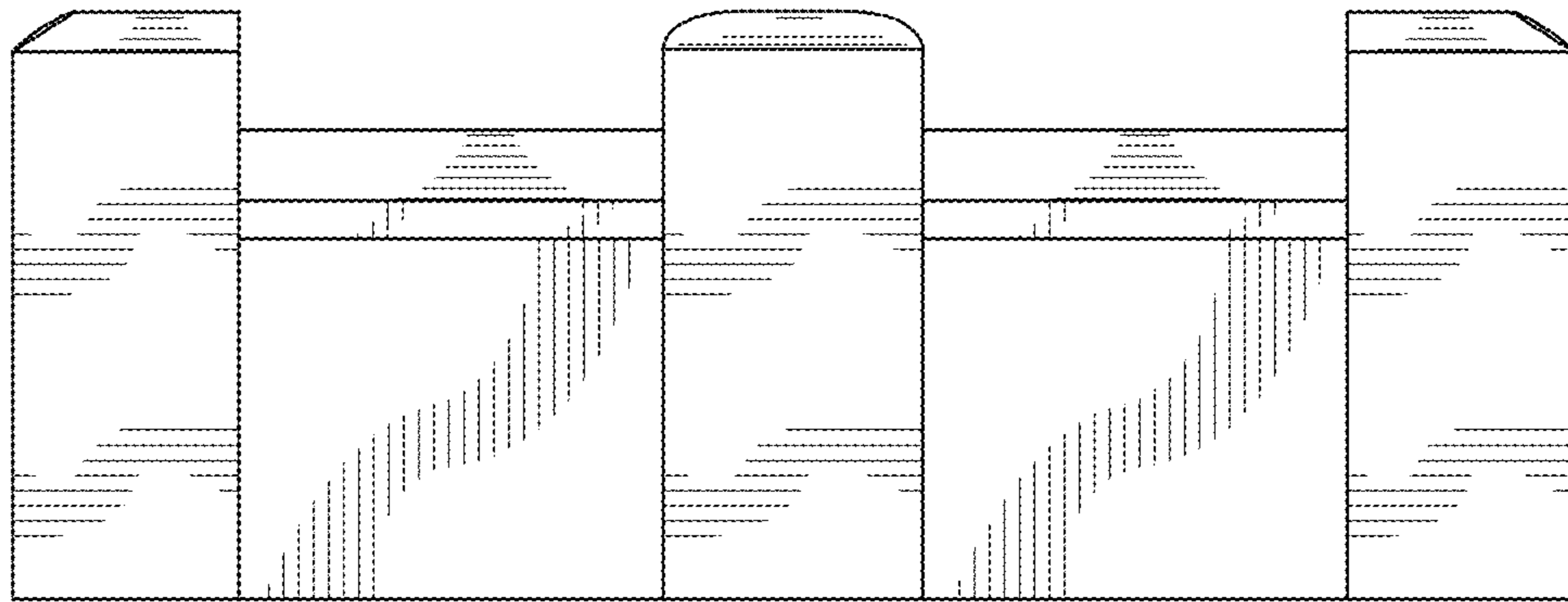


FIG. 21

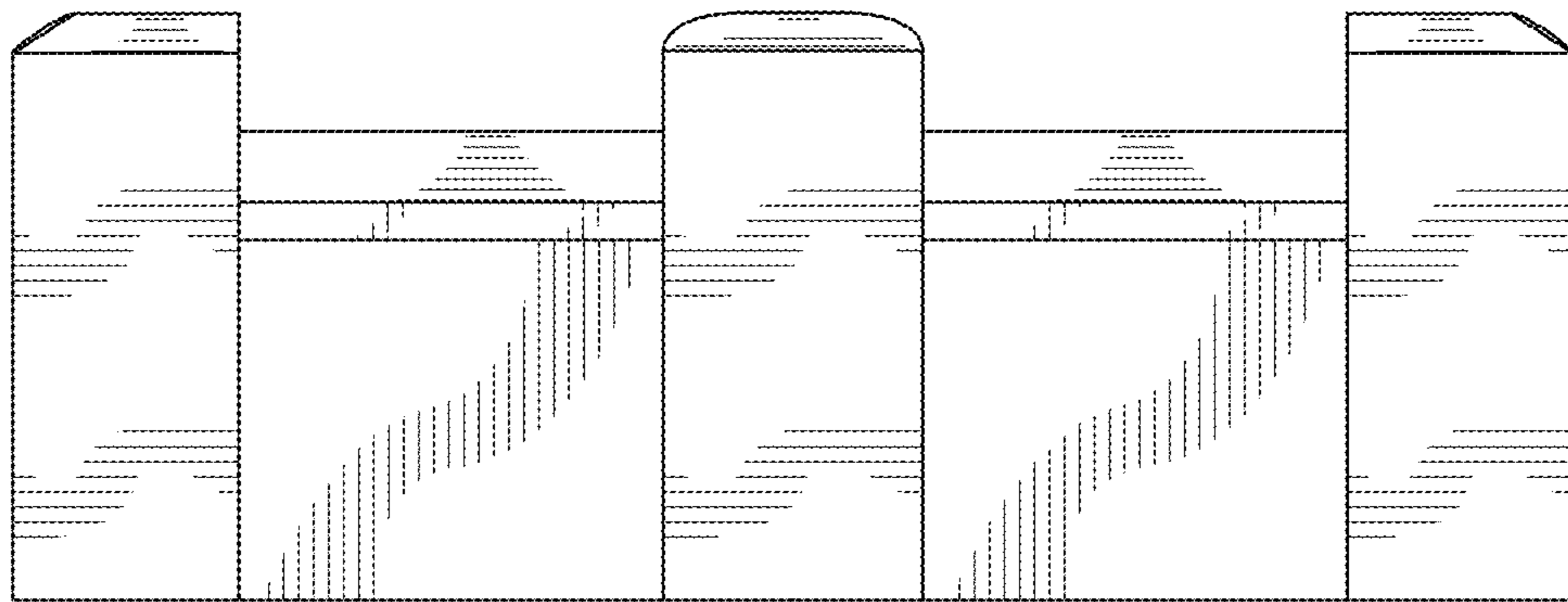


FIG. 22

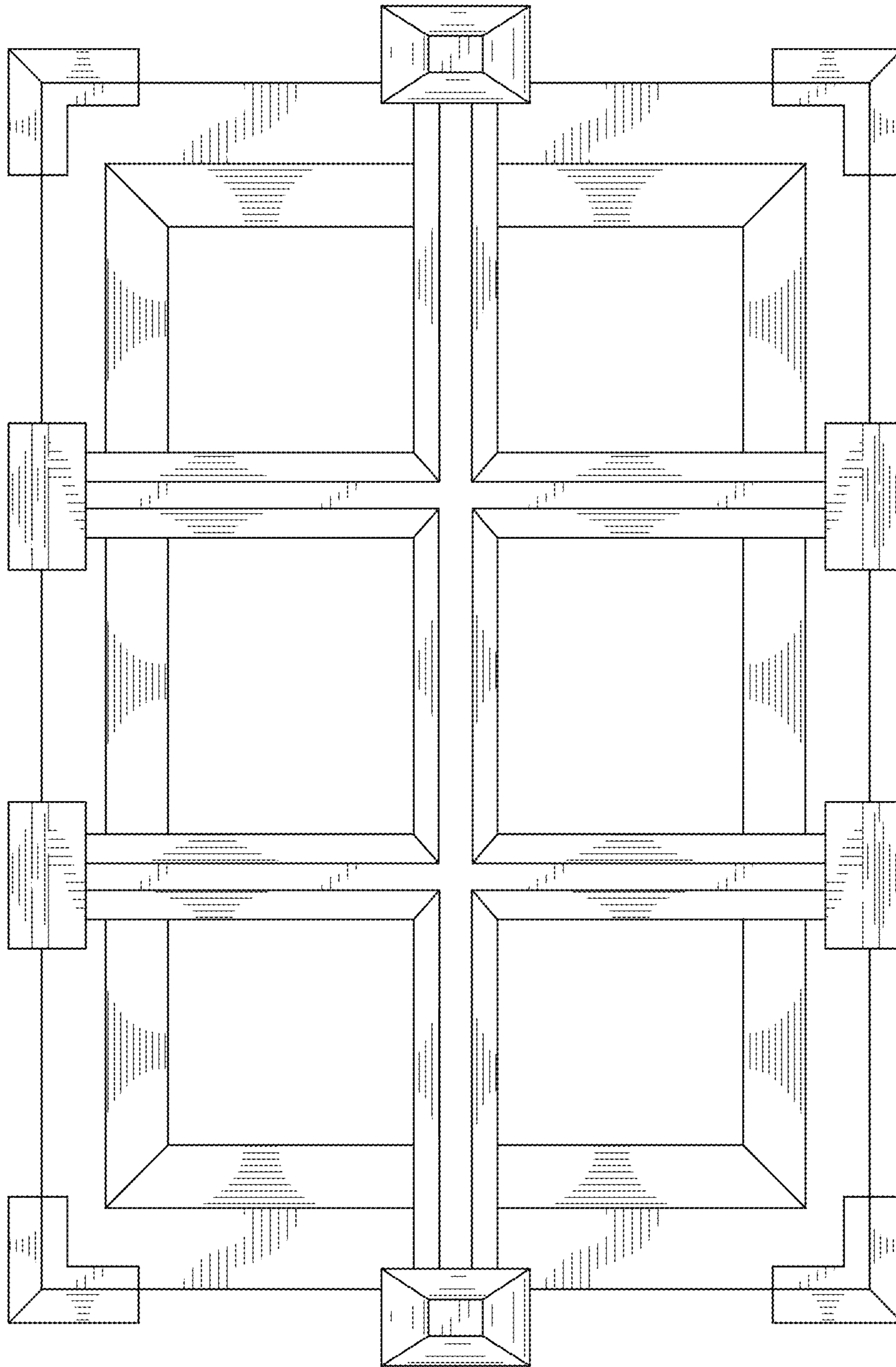


FIG. 23

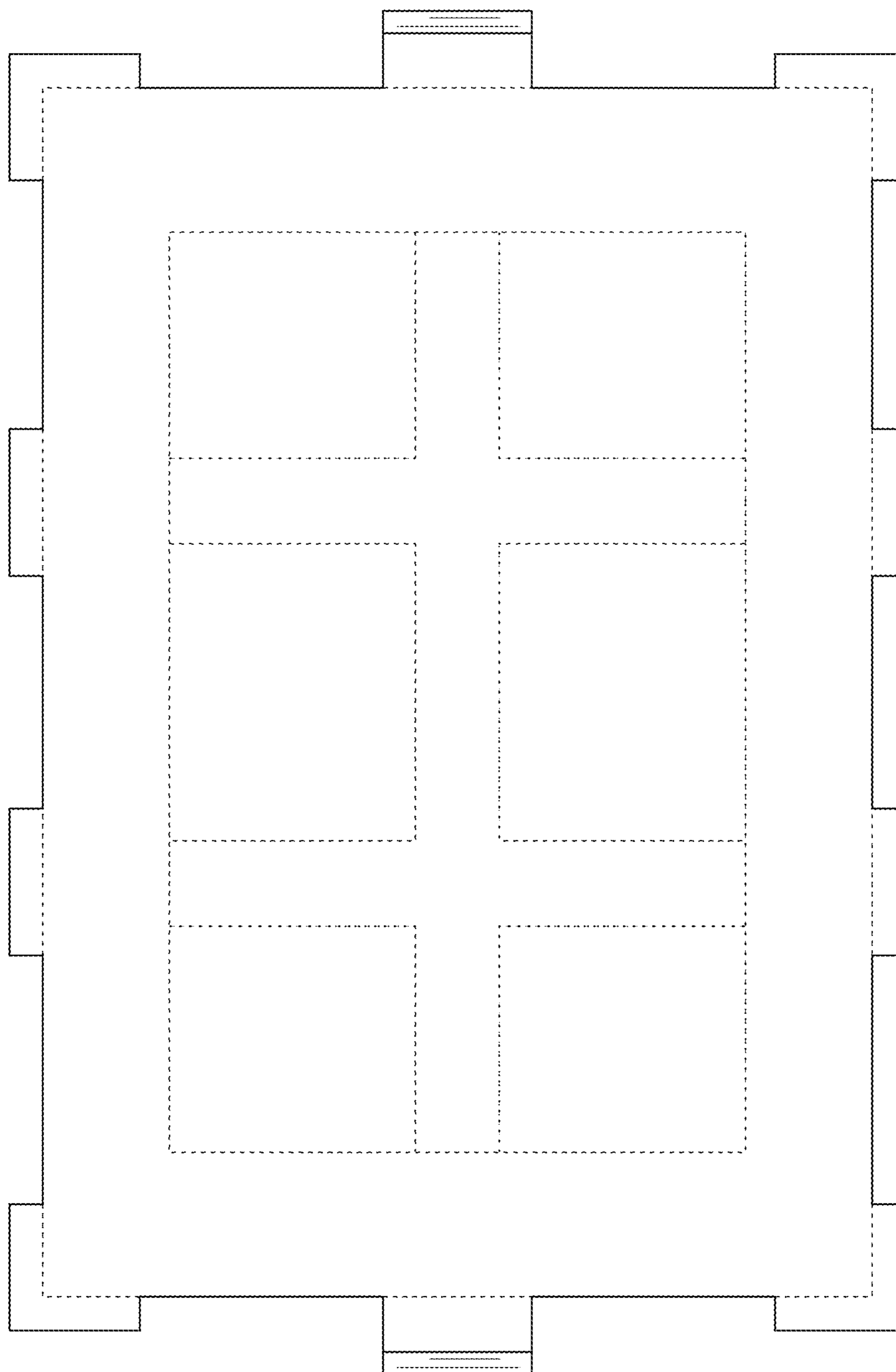


FIG. 24

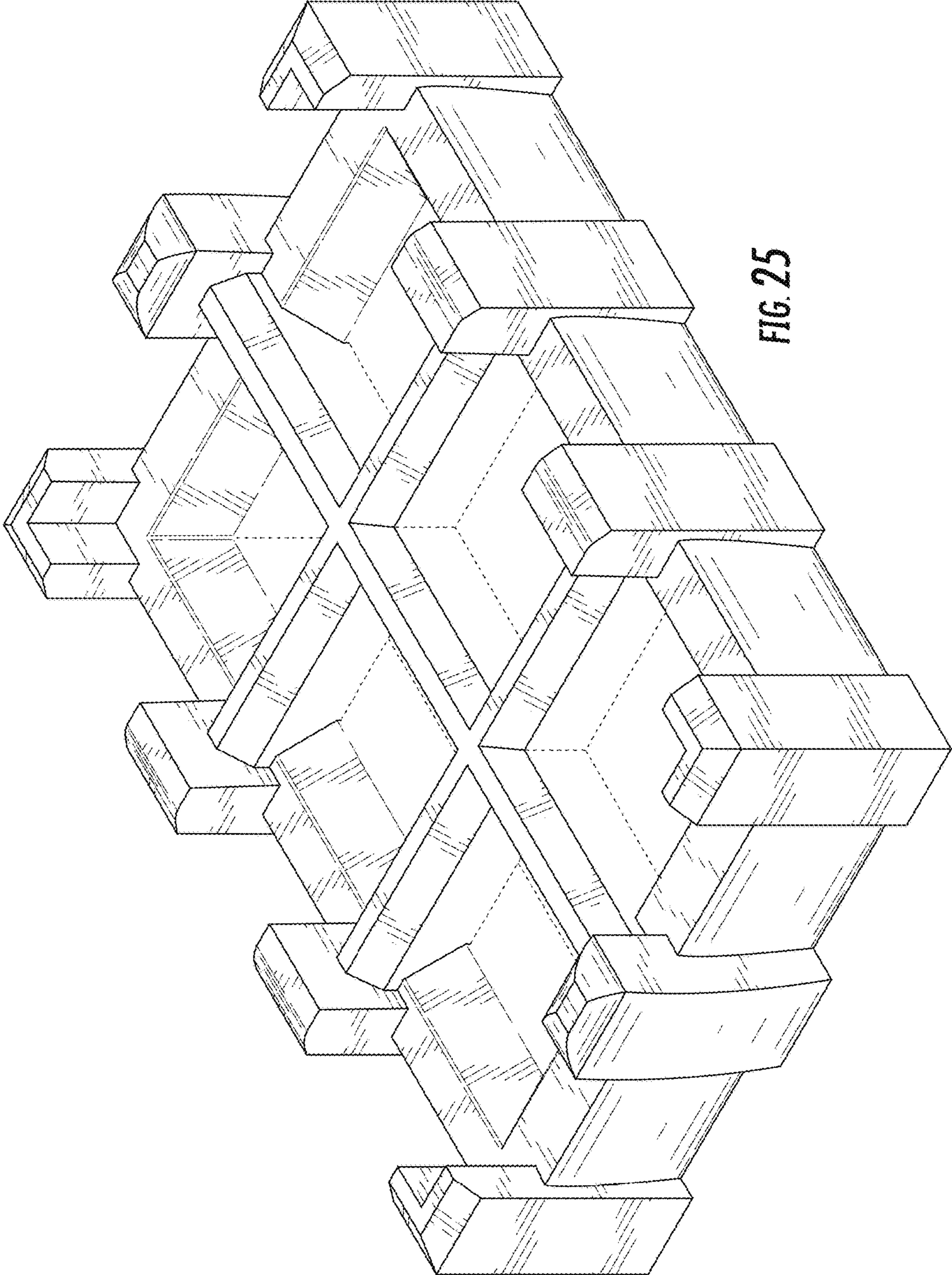


FIG. 25

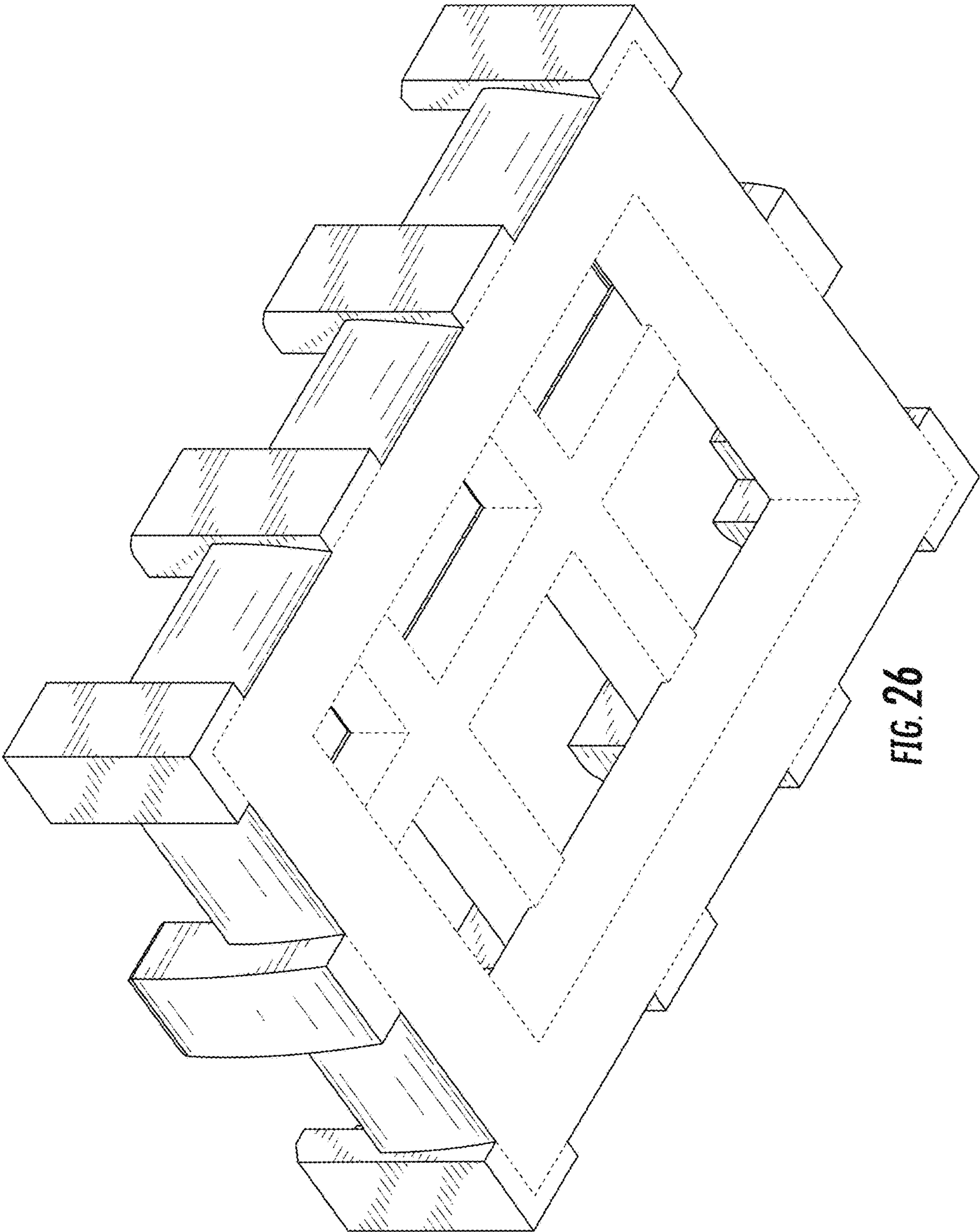


FIG. 26

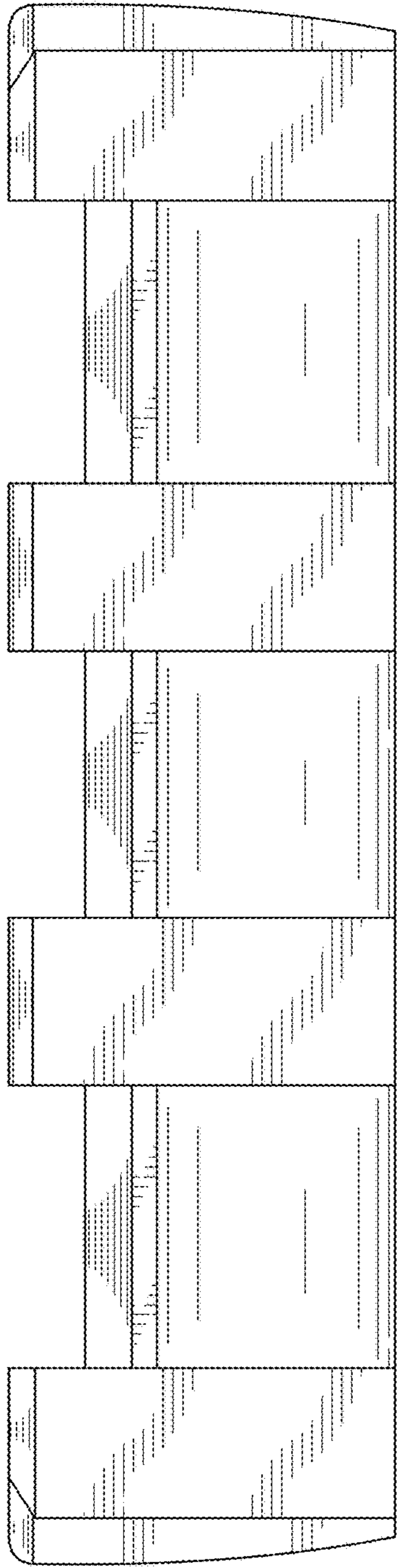


FIG. 27

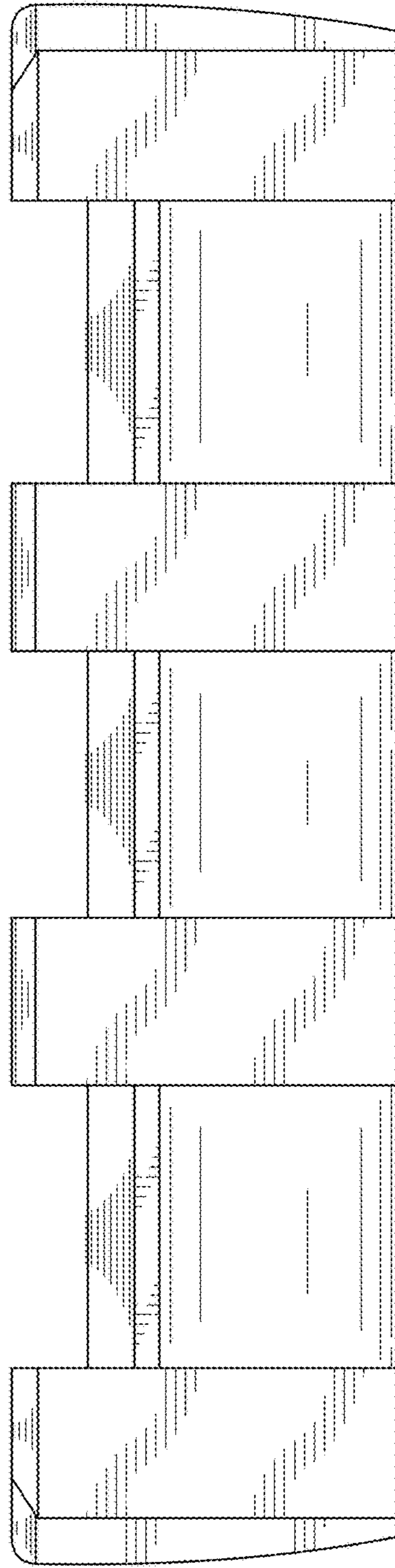


FIG. 28

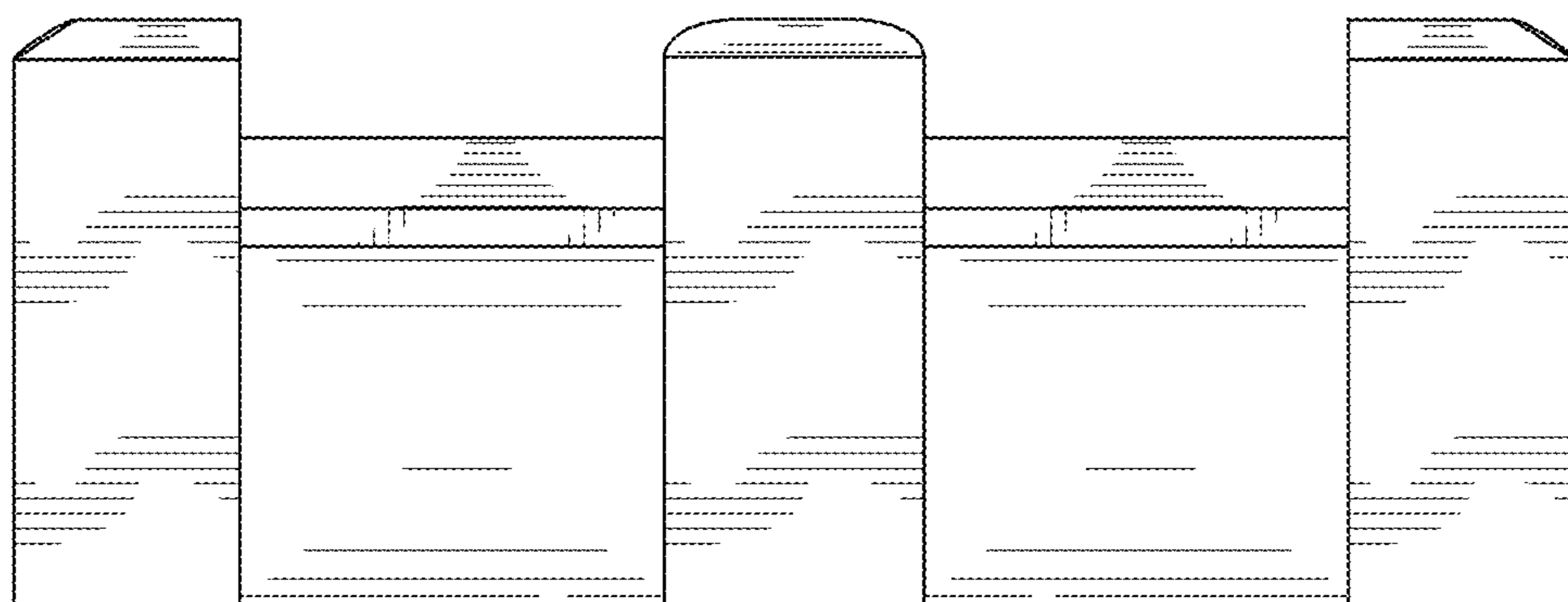


FIG. 29

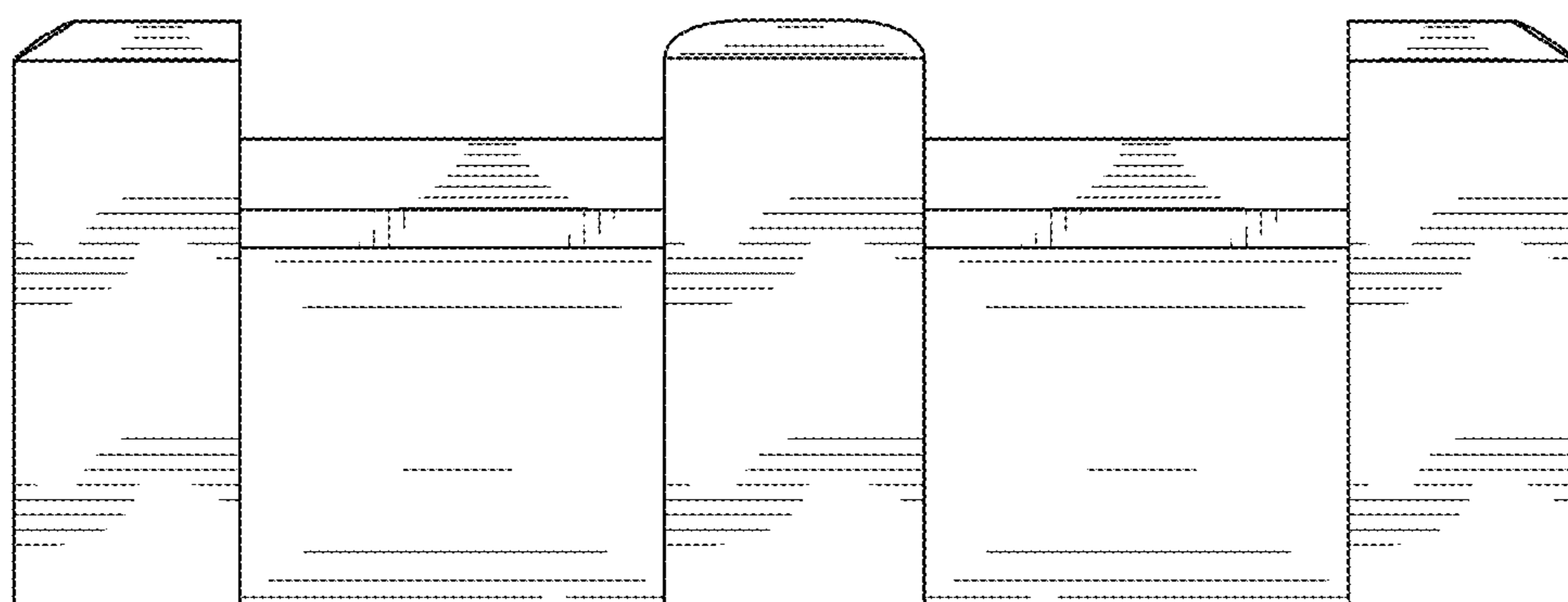


FIG. 30

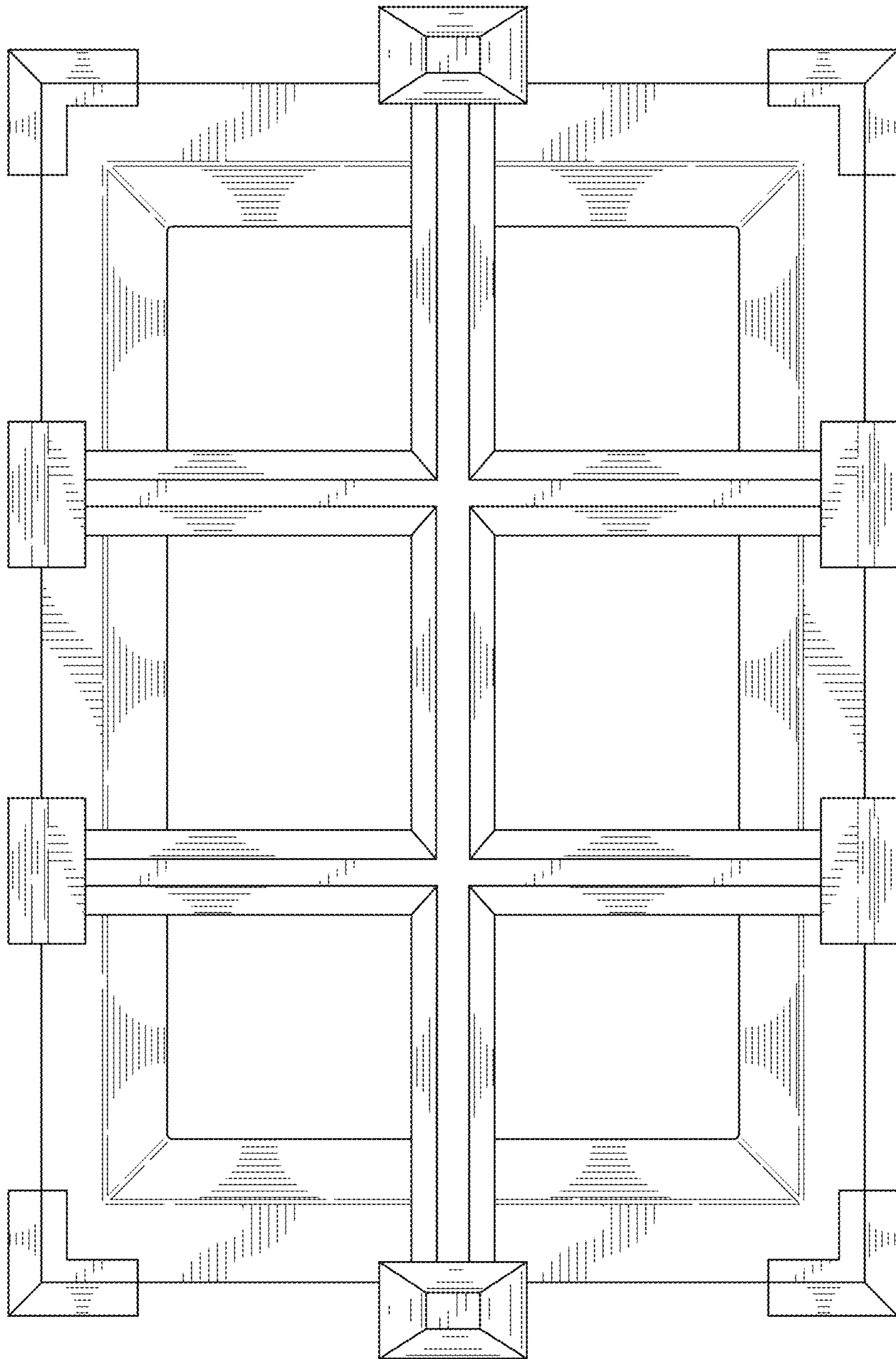


FIG. 31

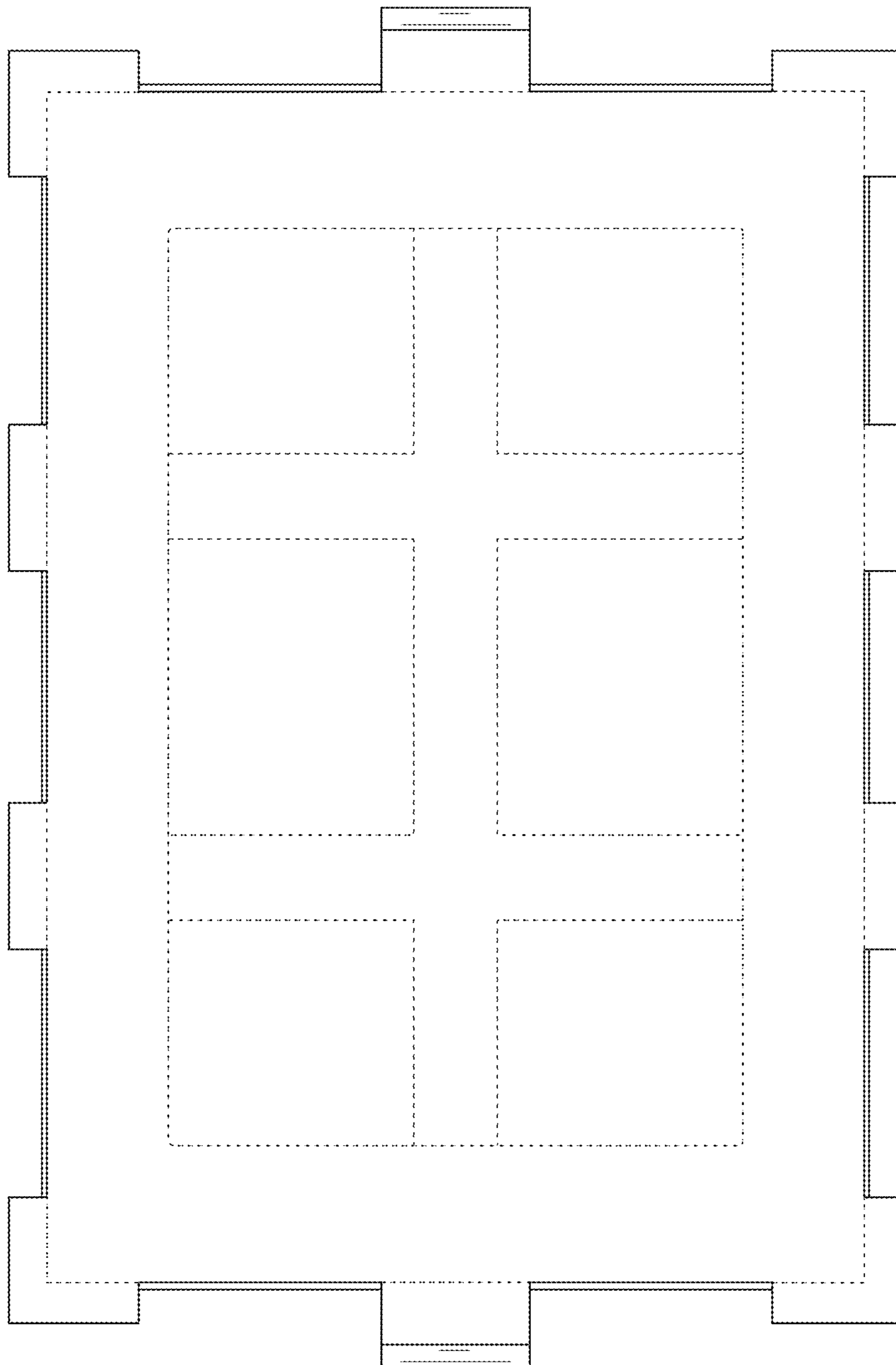


FIG. 32