



US00D804983S

(12) **United States Design Patent** (10) **Patent No.:** **US D804,983 S**
Bonner (45) **Date of Patent:** **** Dec. 12, 2017**

- (54) **JEWELRY ARTICLE**
- (71) Applicant: **Robert Jason Bonner**, Miramar, FL (US)
- (72) Inventor: **Robert Jason Bonner**, Miramar, FL (US)
- (73) Assignee: **National Chain Company**, Warwick, RI (US)
- (**) Term: **15 Years**
- (21) Appl. No.: **29/542,868**
- (22) Filed: **Oct. 19, 2015**
- (51) **LOC (10) Cl.** **11-01**
- (52) **U.S. Cl.**
USPC **D11/79**
- (58) **Field of Classification Search**
USPC D11/1-25, 40-48, 79-87, 93, 94, 151;
D8/387; D23/243, 250, 245, 235, 262
CPC A44C 1/00; A44C 3/00; A44C 5/00; A44C
7/00; A44C 7/002; A44C 7/003; A44C
7/004; A44C 11/00; A44C 11/007; A44C
13/00; A44C 15/001; A44C 15/005; A44C
15/0055; A44C 25/00; A44C 25/001;
A44C 25/007; A44C 25/008
See application file for complete search history.

- D333,179 S * 2/1993 Mikiya D23/262
- D349,325 S * 8/1994 Jones D23/235
- D365,040 S * 12/1995 Whitman D11/131
- D451,426 S * 12/2001 Fitzpatrick D11/81
- D620,084 S * 7/2010 Talamantez D23/262
- D737,170 S * 8/2015 Lafond D11/87
- D753,477 S * 4/2016 Jackson D8/387
- D779,046 S * 2/2017 Tansey, Jr. D23/262
- D792,201 S * 7/2017 Baiz D8/387

OTHER PUBLICATIONS

- [Online] https://img0.etsystatic.com/105/0/6588186/il_340x270.922152088_qm9p.jpg. Retrieved Aug. 1, 2017.*
- [Online] http://68.media.tumblr.com/6a04f1340152f906109f2010ea380ae1/tumblr_mwei451t4m1qdwkufol_1280.jpg. Retrieved Aug. 1, 2017.*

* cited by examiner

Primary Examiner — Melanie Pellegrini
(74) *Attorney, Agent, or Firm* — Salter & Michaelson

(57) **CLAIM**

The ornamental design for a jewelry article, as shown and described.

DESCRIPTION

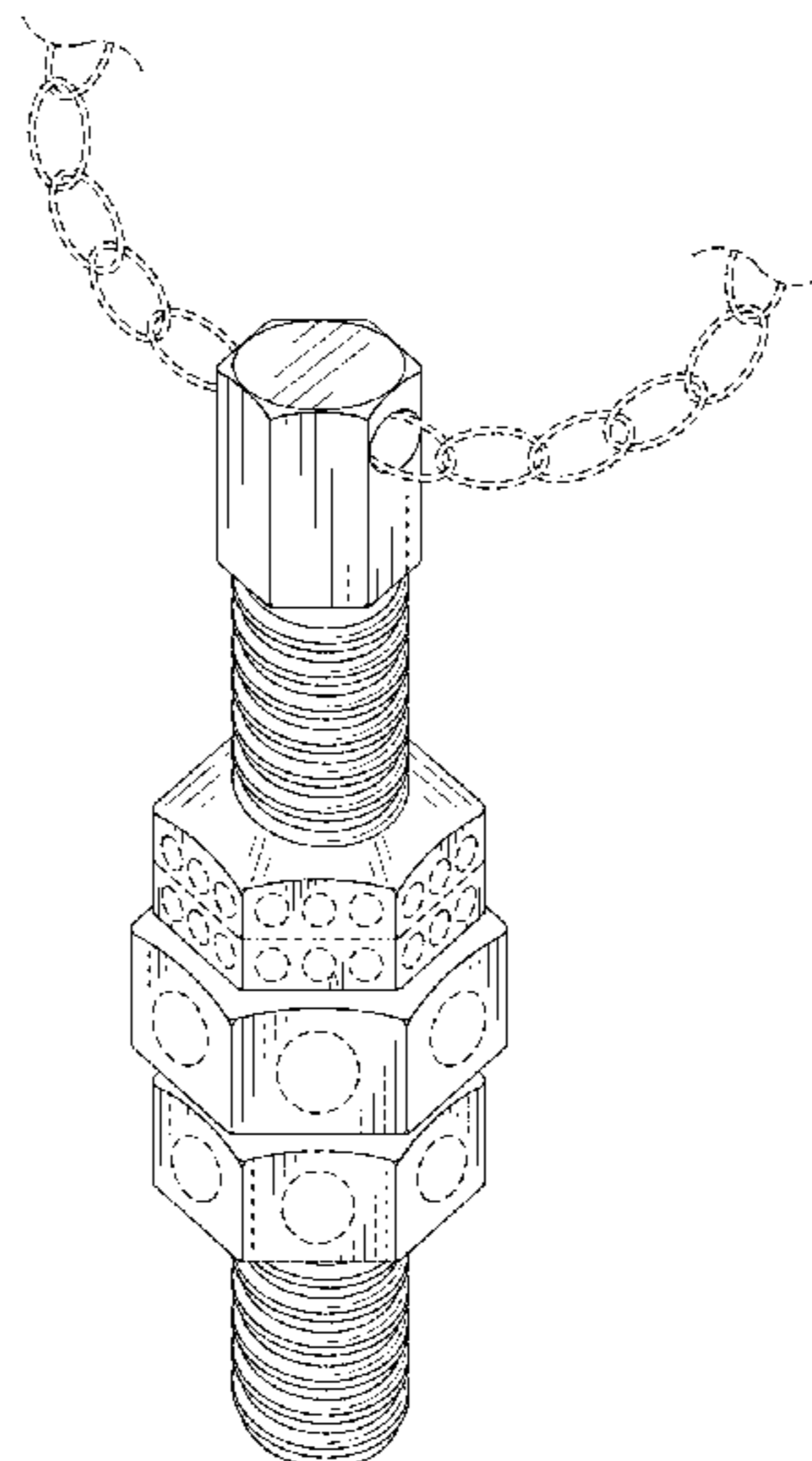
FIG. 1 is a perspective view of a jewelry article;
 FIG. 2 is a front elevational view thereof;
 FIG. 3 is a rear elevational view thereof;
 FIG. 4 is a left side elevational view thereof;
 FIG. 5 is a right side elevational view thereof;
 FIG. 6 is a top plan view thereof;
 FIG. 7 is a right side elevational view thereof; and,
 FIG. 8 is an exploded perspective view thereof.
 The broken lines in the drawings showing a chain feature represent environmental structure and the remaining broken lines represent portions of the jewelry article which form no part of the claimed design.

1 Claim, 7 Drawing Sheets

(56) **References Cited**

U.S. PATENT DOCUMENTS

- D130,442 S * 11/1941 Goodman D11/87
- D135,661 S * 5/1943 Krauter D8/387
- 4,027,874 A * 6/1977 Buckholtz, Jr. A63B 23/16
D11/157
- D252,452 S * 7/1979 Fermahin D11/81
- D260,103 S * 8/1981 Appel D11/157
- D262,969 S * 2/1982 Howes 239/533.12
- D267,627 S * 1/1983 Hultin D8/387
- D306,835 S * 3/1990 Johnson D11/79
- D325,226 S * 4/1992 Bryen D21/478



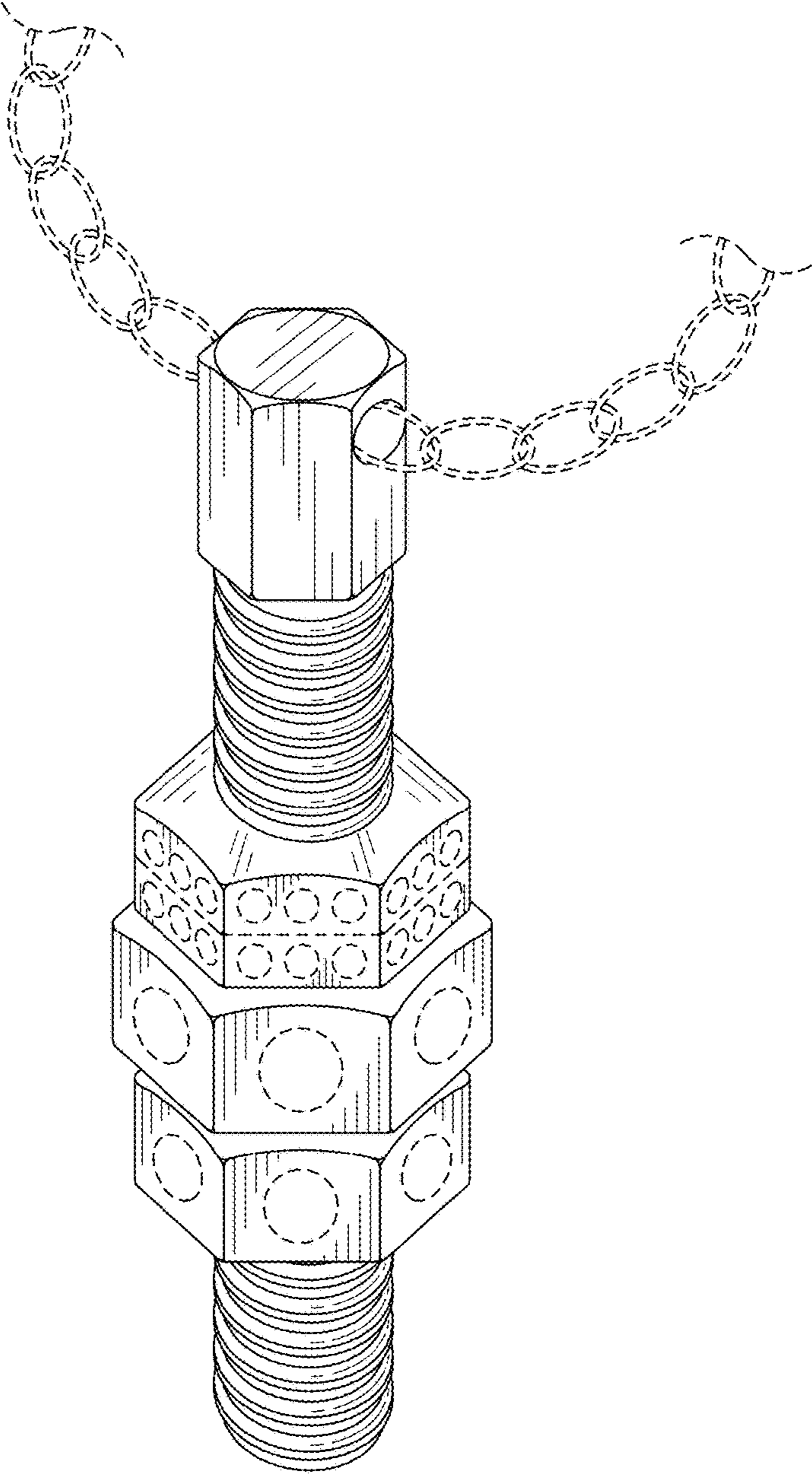


FIG. 1

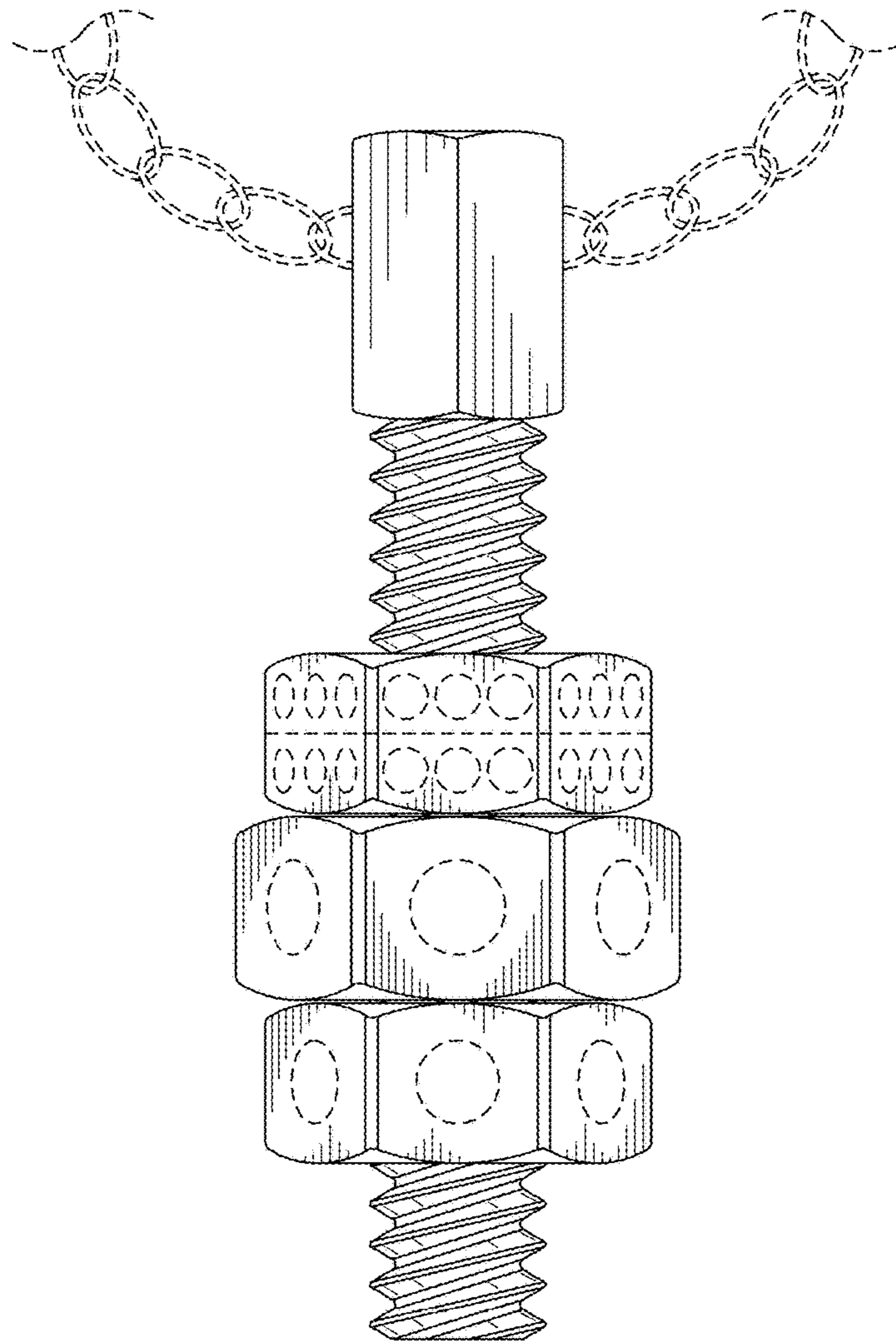


FIG. 2

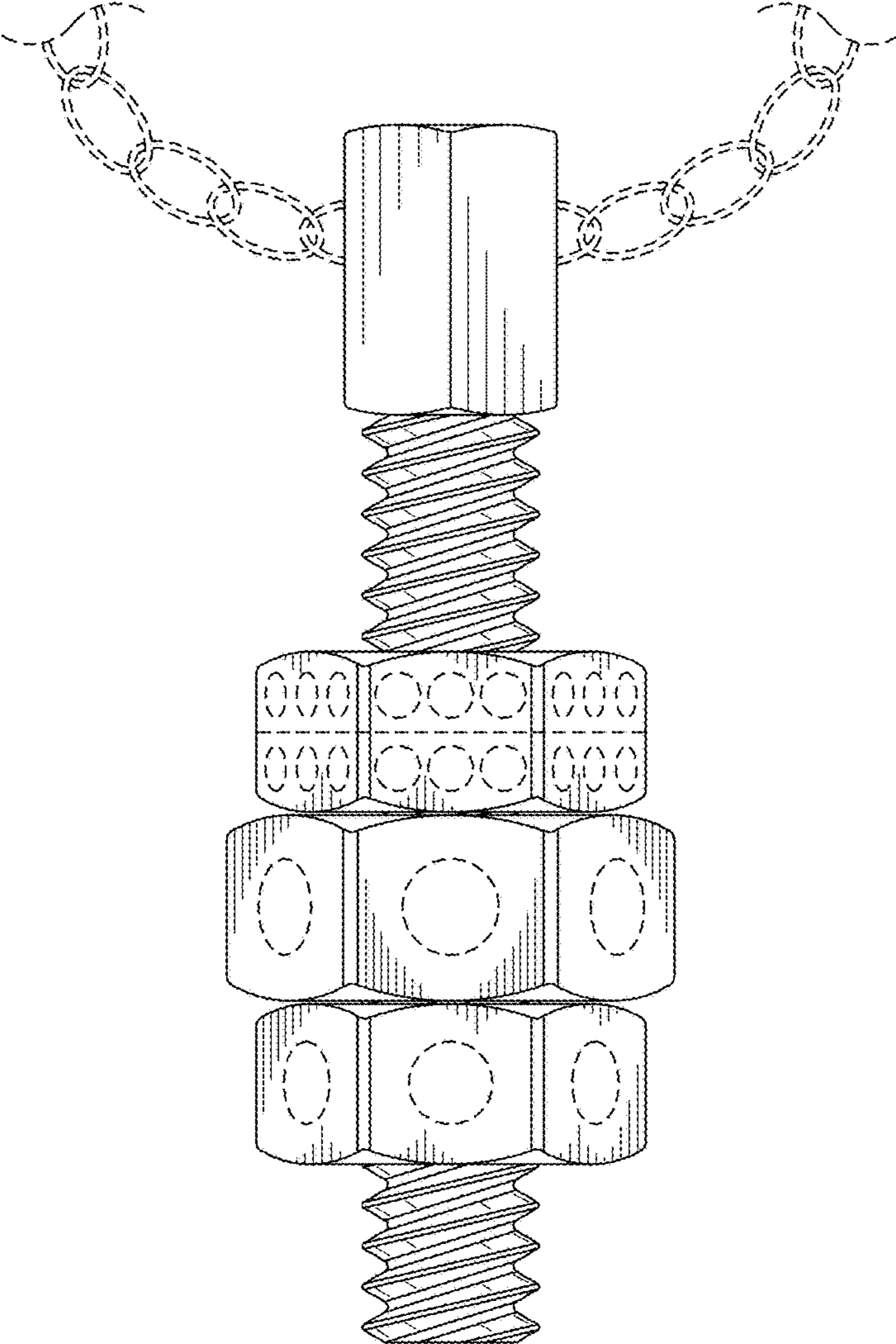


FIG. 3

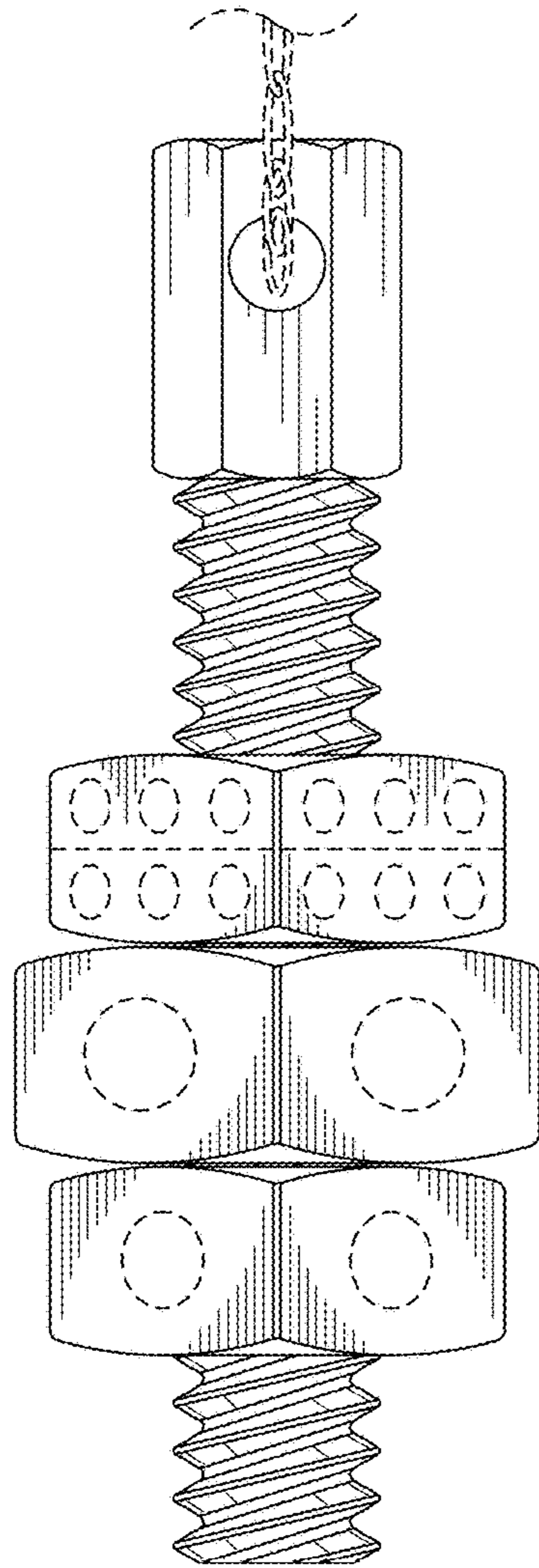


FIG. 4

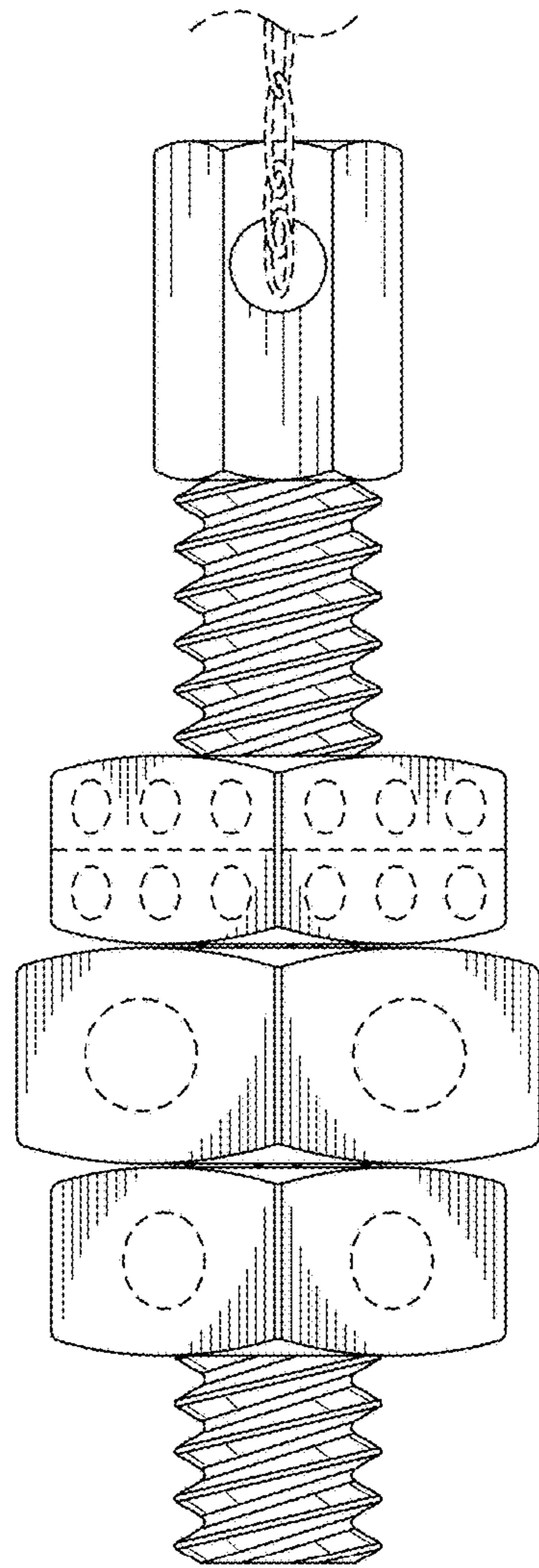


FIG. 5

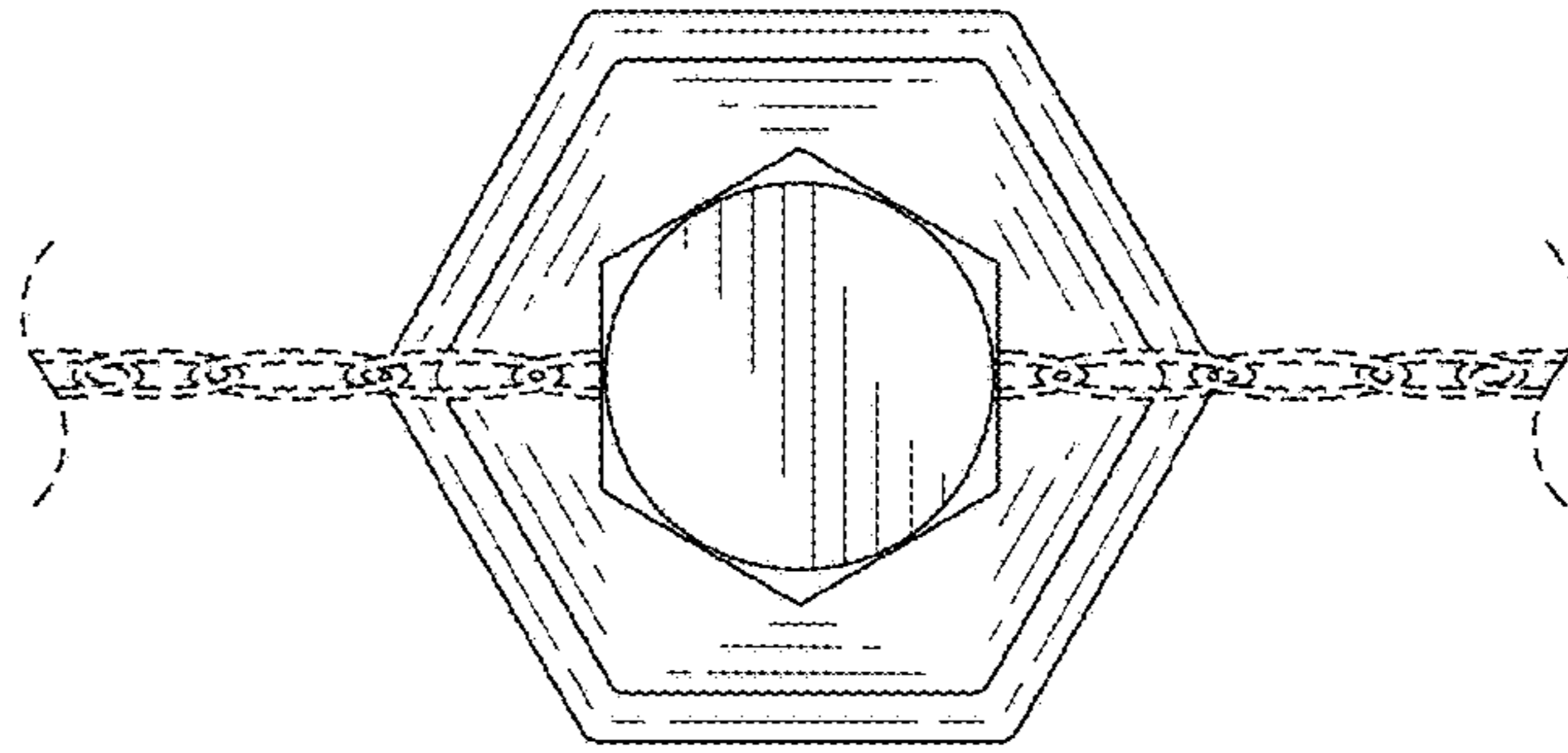


FIG. 6

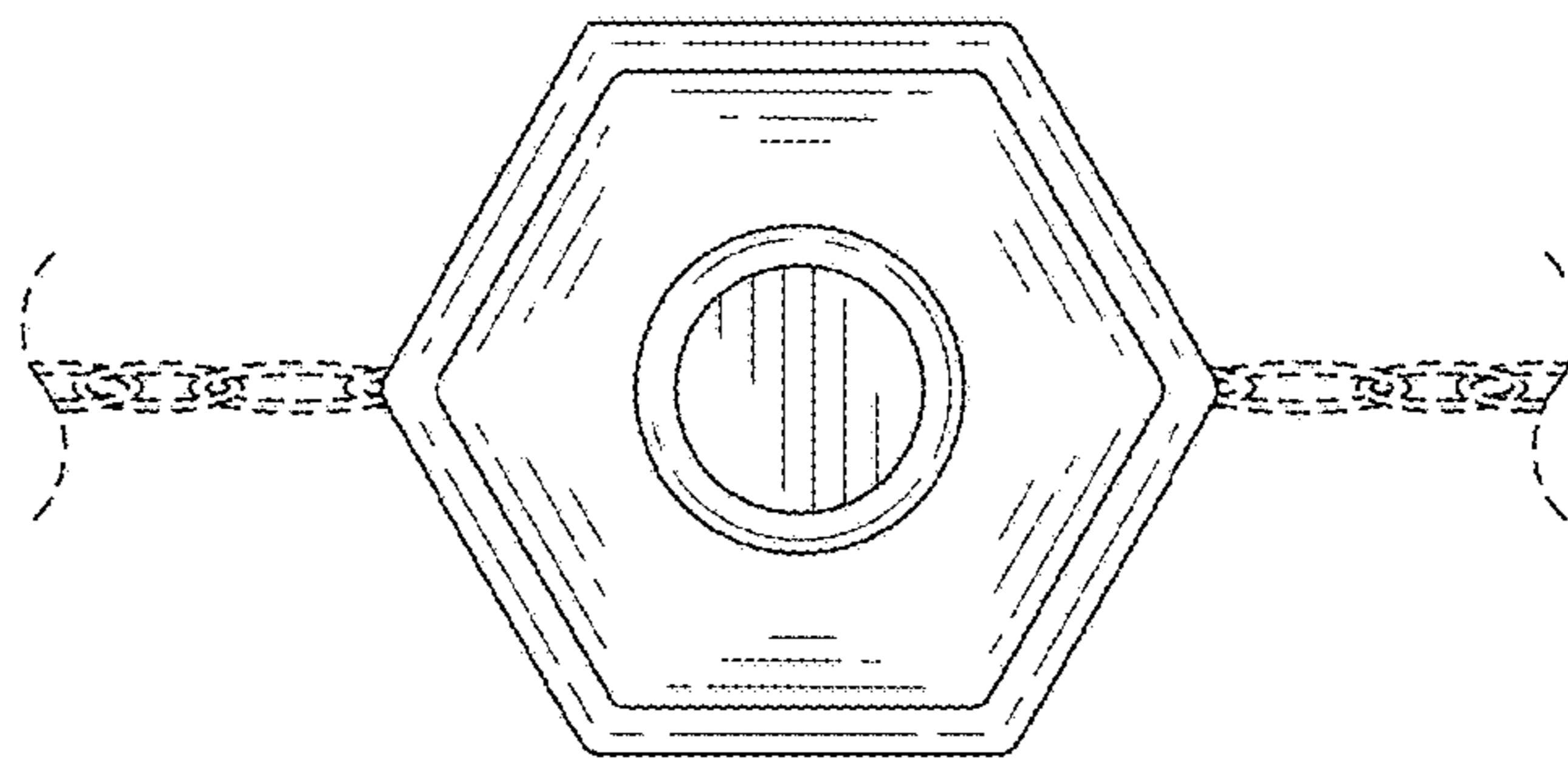


FIG. 7

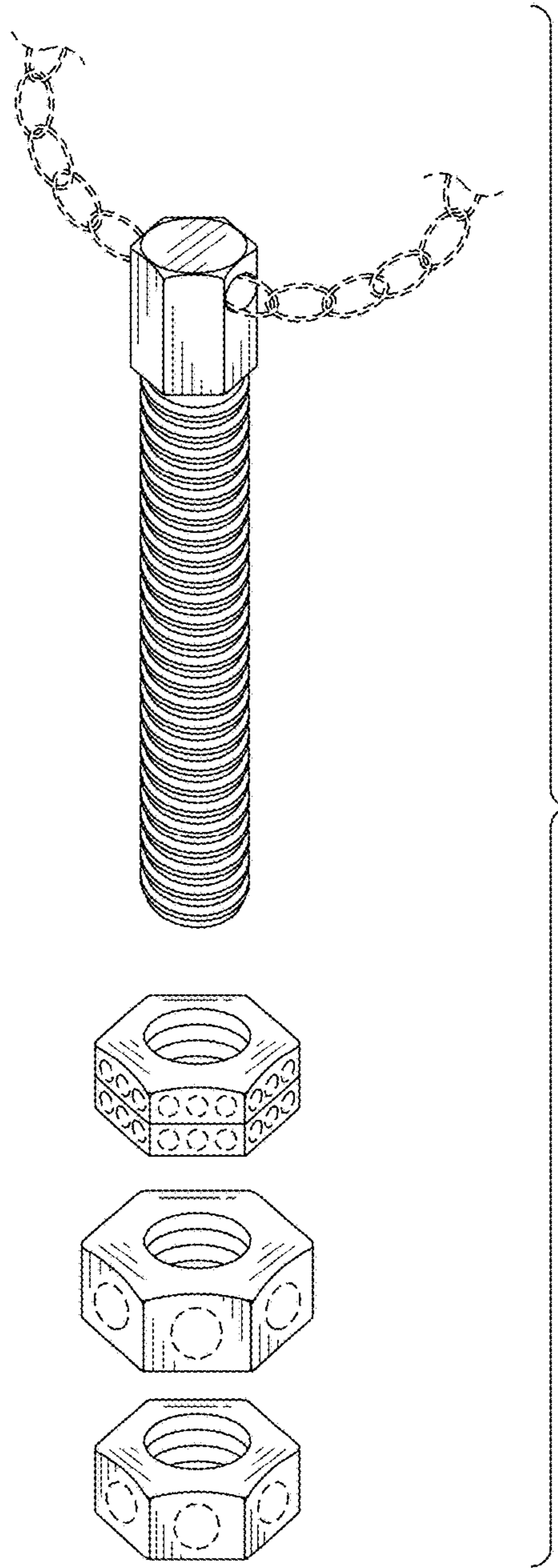


FIG. 8