



US00D804979S

(12) **United States Design Patent**
Silvestri

(10) **Patent No.:** **US D804,979 S**

(45) **Date of Patent:** **** Dec. 12, 2017**

(54) **NECKLACE**

(71) Applicant: **Bulgari S.p.A.**, Rome (IT)

(72) Inventor: **Lucia Silvestri**, Rome (IT)

(73) Assignee: **BULGARI S.P.A.**, Rome (IT)

(**) Term: **14 Years**

(21) Appl. No.: **29/514,246**

(22) Filed: **Jan. 9, 2015**

(30) **Foreign Application Priority Data**

Jul. 11, 2014 (WO) DM083953

(51) **LOC (10) Cl.** **11-01**

(52) **U.S. Cl.**
USPC **D11/7; D11/16**

(58) **Field of Classification Search**

USPC D11/1-48, 75-83, 85-88, 91-94;
D10/38-39, 46, 65, 70, 97, 98, 114.9;
D28/41; D14/168, 192, 203.5, 205, 344,
D14/372, 480.3

CPC A44C 5/00; A44C 5/0007; A44C 5/0015;
A44C 5/0023; A44C 5/003; A44C
5/0053; A44C 5/0061; A44C 5/0069;
A44C 5/0076; A44C 5/0084; A44C
5/0092; A44C 5/02; A44C 5/022; A44C
5/025; A44C 5/027; A44C 5/04; A44C
5/08; A44C 5/10; A44C 5/102; A44C
5/105; A44C 5/107; A44C 11/002; A44C
11/00; A44C 13/00; A44C 7/00; A44C
7/002; A44C 7/003

See application file for complete search history.

(56) **References Cited**

U.S. PATENT DOCUMENTS

D114,613 S * 5/1939 Cooper D11/40
D136,815 S * 12/1943 Hull D11/43

D176,694 S * 1/1956 Katz D11/43
D302,400 S * 7/1989 Bulgari D11/40
D305,311 S * 1/1990 Roberts D11/48
D310,979 S * 10/1990 Perry D11/43
D320,951 S * 10/1991 Bulgari D11/40
D542,690 S * 5/2007 Miller D11/1
D567,700 S * 4/2008 Bulgari D11/26
D682,726 S * 5/2013 Bulgari D11/6

(Continued)

Primary Examiner — Cynthia Ramirez

Assistant Examiner — Llorellys Martinez-Rivera

(74) *Attorney, Agent, or Firm* — Stephen Kenny; Peter Sullivan; Foley Hoag LLP

(57) **CLAIM**

The ornamental design for a necklace, as shown and described.

DESCRIPTION

FIG. 1 is a front elevation view of a necklace showing my new design.

FIG. 2 is an enlarged view of the portion highlighted in FIG. 1.

FIG. 3 is a rear elevation view of the necklace of FIG. 1.

FIG. 4 is a left side elevation view of the necklace of FIG. 1.

FIG. 5 is an enlarged view of the portion highlighted in FIG. 4.

FIG. 6 is a right side elevation view of the necklace of FIG. 1.

FIG. 7 is an enlarged view of the portion highlighted in FIG. 6.

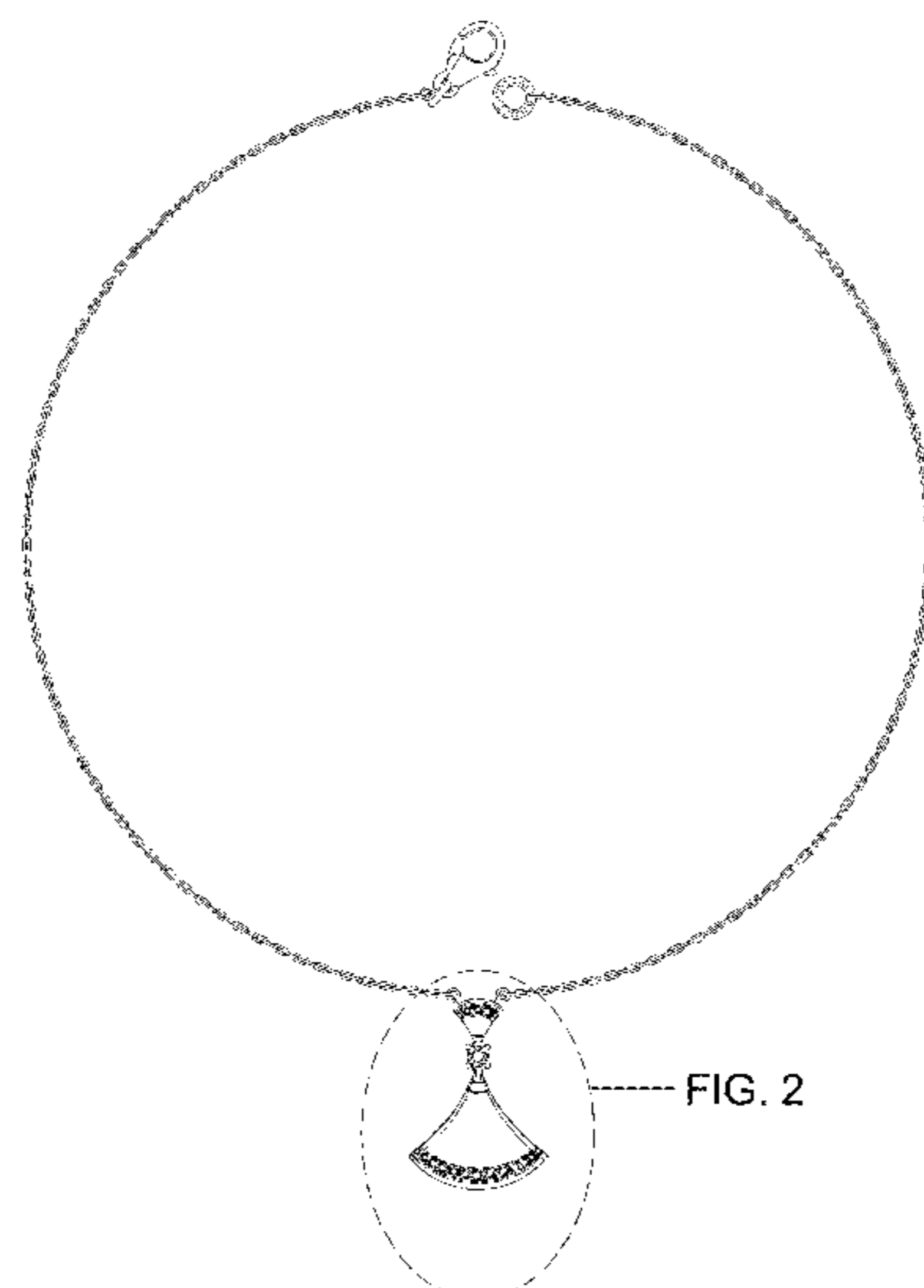
FIG. 8 is a top plan view of the necklace of FIG. 1.

FIG. 9 is a bottom plan view of the necklace of FIG. 1.

FIG. 10 is a top perspective view of the necklace of FIG. 1; and,

FIG. 11 is an enlarged view of the portion highlighted in FIG. 10. The logo “BVLGARI” depicted in the figure merely represents written matter surface ornamentation which does not form any part of the claimed design.

1 Claim, 11 Drawing Sheets



(56)

References Cited

U.S. PATENT DOCUMENTS

D684,083 S * 6/2013 Bulgari D11/6
D687,735 S * 8/2013 Frigerio D11/3

* cited by examiner

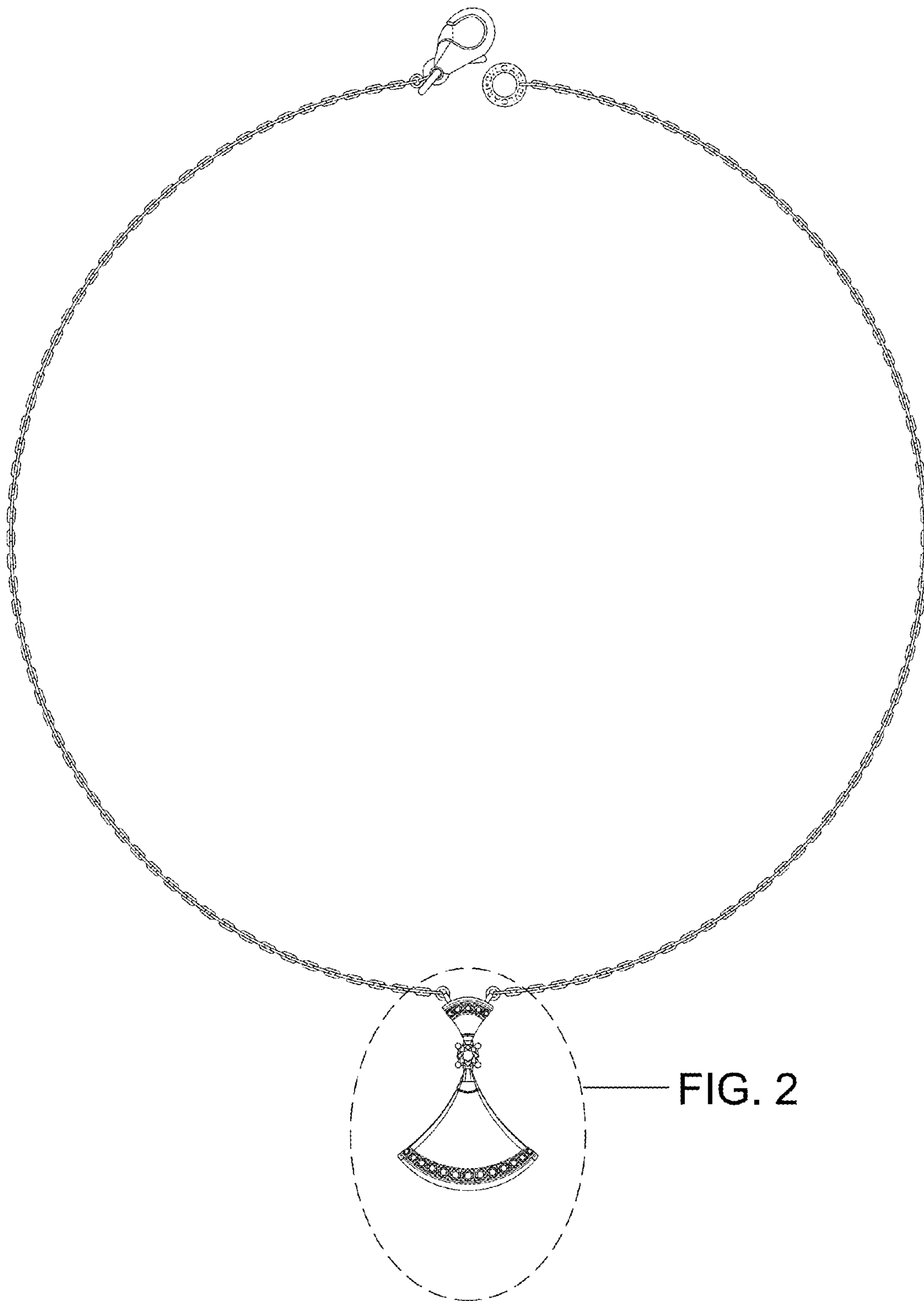


FIG. 1

FIG. 2

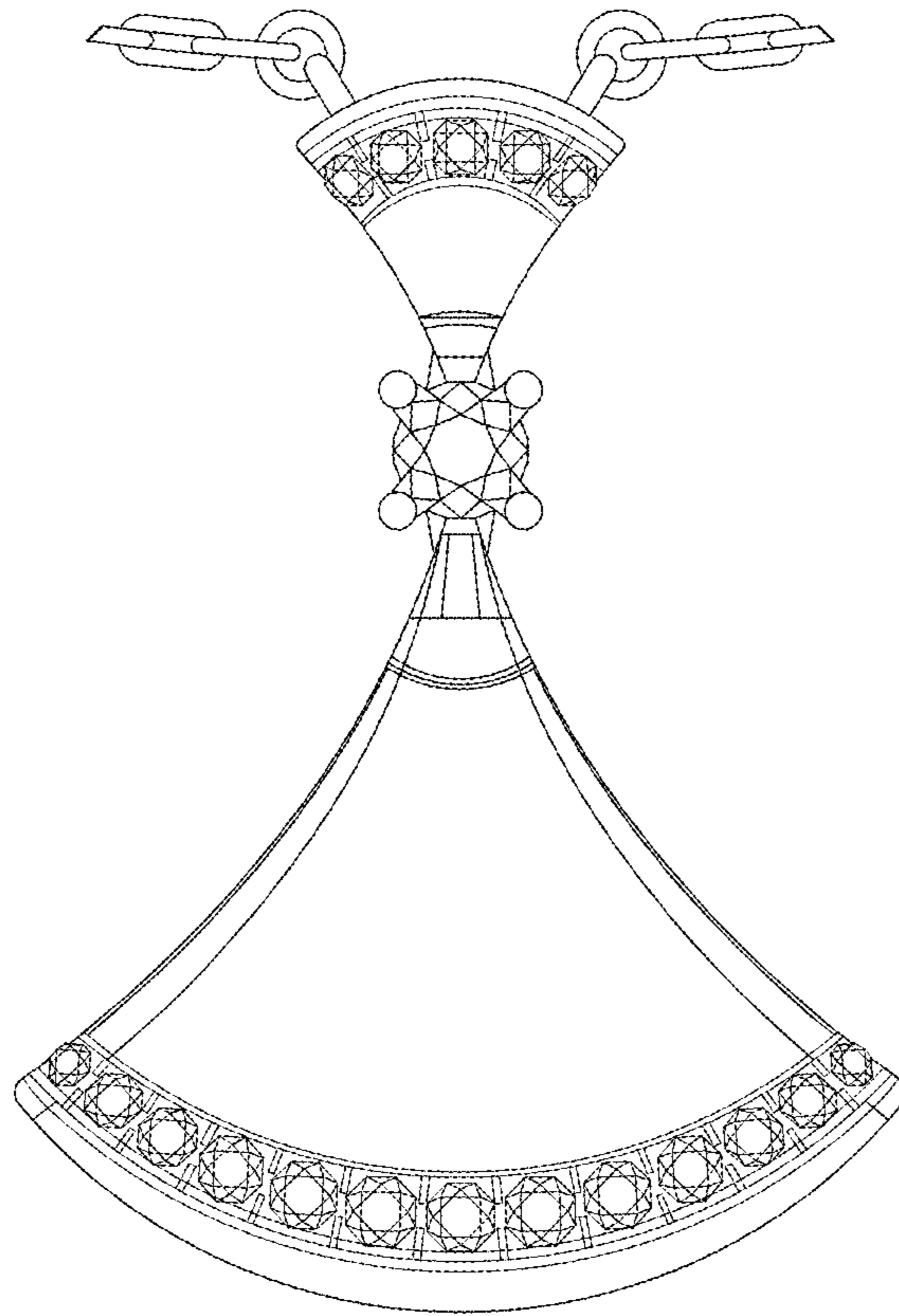


FIG. 2



FIG. 3

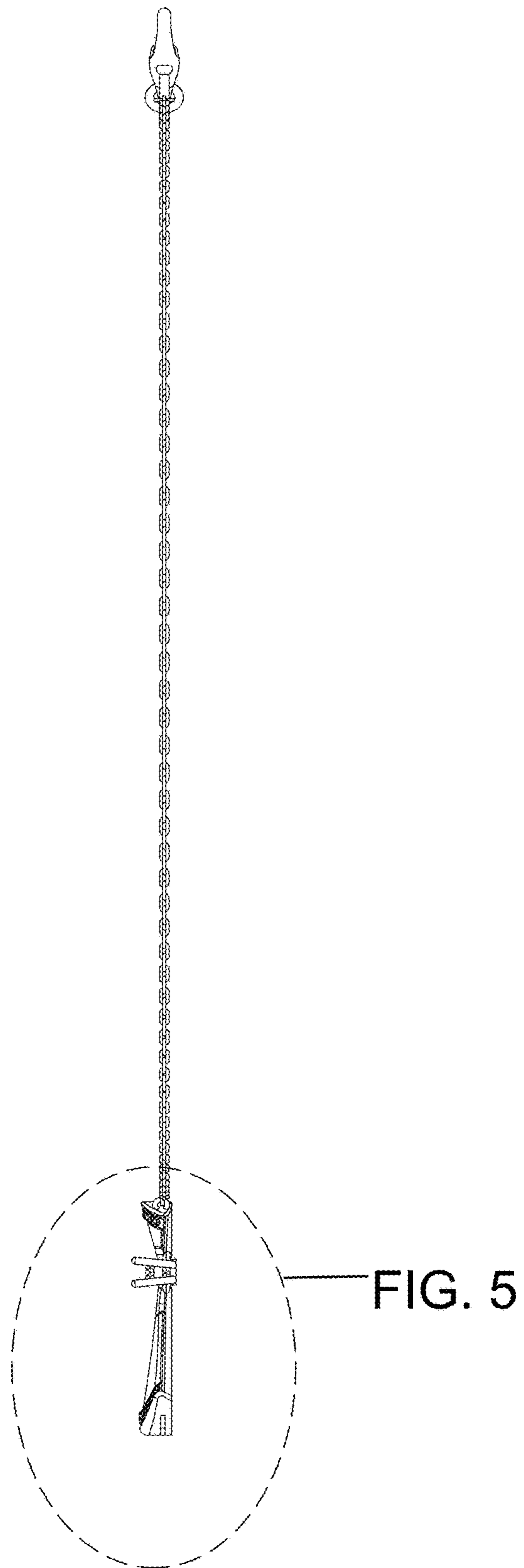


FIG. 4

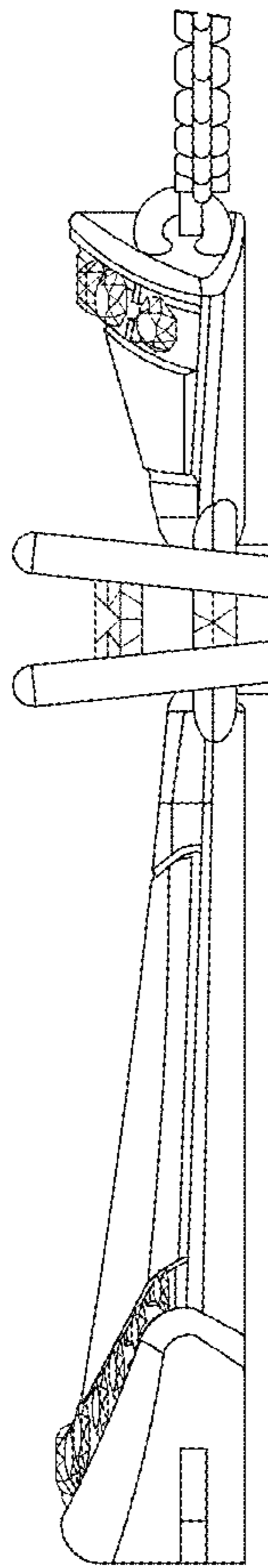


FIG. 5

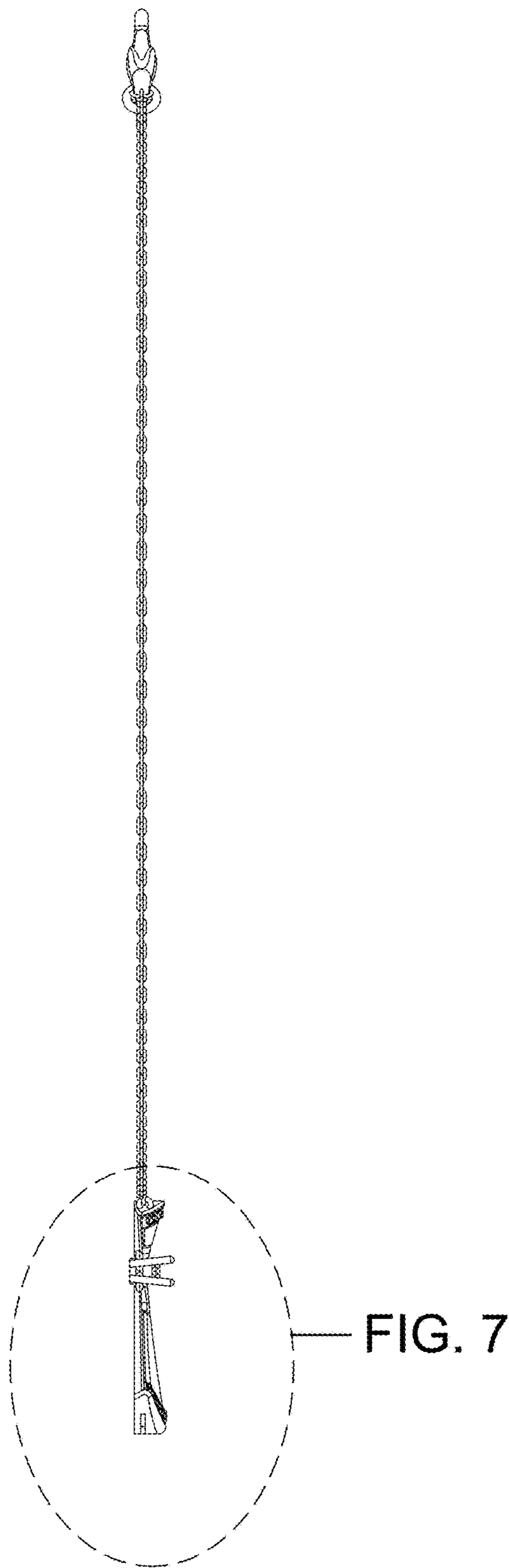


FIG. 6

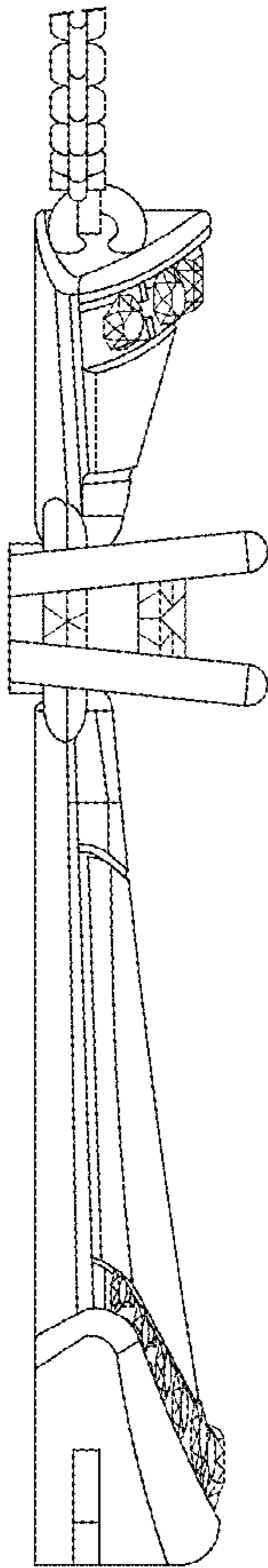


FIG. 7



FIG.8



FIG. 9

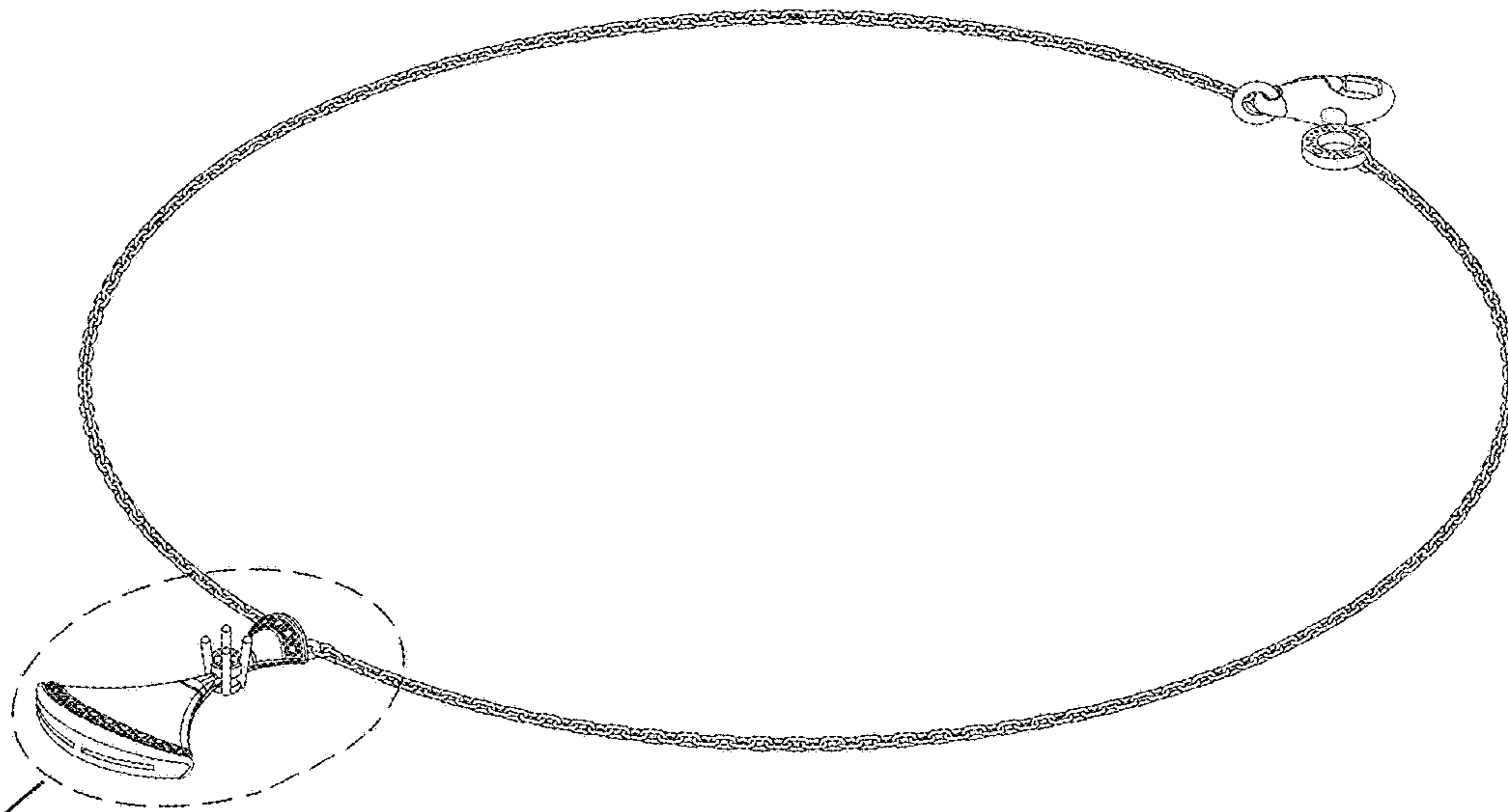


FIG. 11

FIG. 10

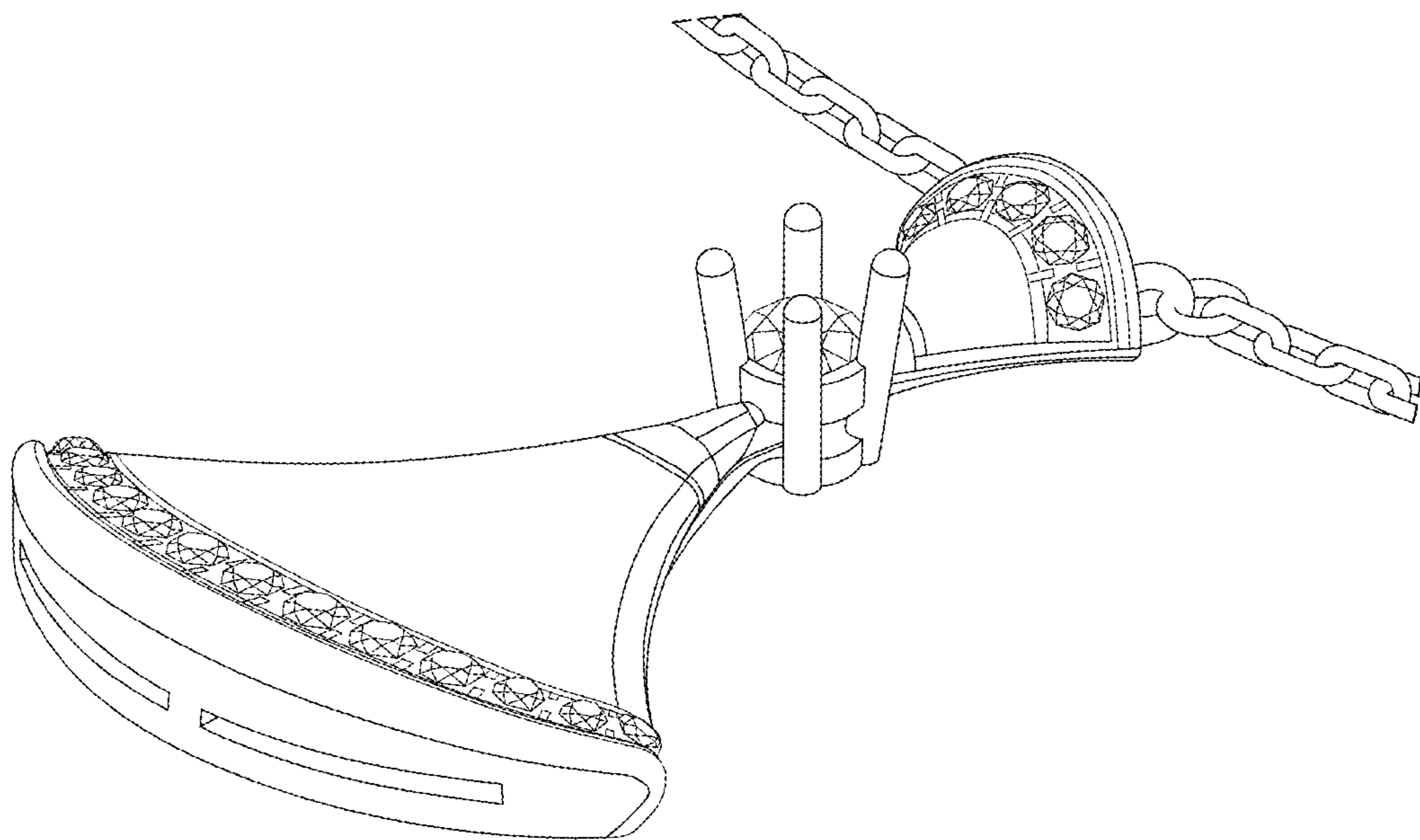


FIG. 11