



US00D804978S

(12) **United States Design Patent** (10) **Patent No.:** **US D804,978 S**  
**Chao et al.** (45) **Date of Patent:** **\*\* Dec. 12, 2017**

- (54) **EMERGENCY LIGHT**
- (71) Applicant: **ZhongShan Luxmode Industrial Co., LTD**, Zhongshan (CN)
- (72) Inventors: **Wei-Lun Chao**, Zhongshan (CN);  
**Chien-Fan Chao**, Zhongshan (CN)
- (73) Assignee: **ZHONGSHAN LUXMODE INDUSTRIAL CO., LTD**, Zhongshan (CN)
- (\*\*) Term: **15 Years**
- (21) Appl. No.: **29/570,457**
- (22) Filed: **Jul. 8, 2016**
- (51) **LOC (10) Cl.** ..... **10-05**
- (52) **U.S. Cl.**  
USPC ..... **D10/114.2**
- (58) **Field of Classification Search**  
USPC ..... D10/104.1, 106.1–106.9, 109.1, 109.2,  
D10/110, 111, 114.1–114.8; D26/28, 35,  
D26/36, 102, 104, 118, 120, 122  
CPC ..... F21W 2101/02; F21W 2101/10; F21W  
2101/14  
See application file for complete search history.

- (56) **References Cited**  
U.S. PATENT DOCUMENTS  
D510,885 S \* 10/2005 Dueker ..... D10/114.2  
D515,957 S \* 2/2006 Dueker ..... D10/109.1

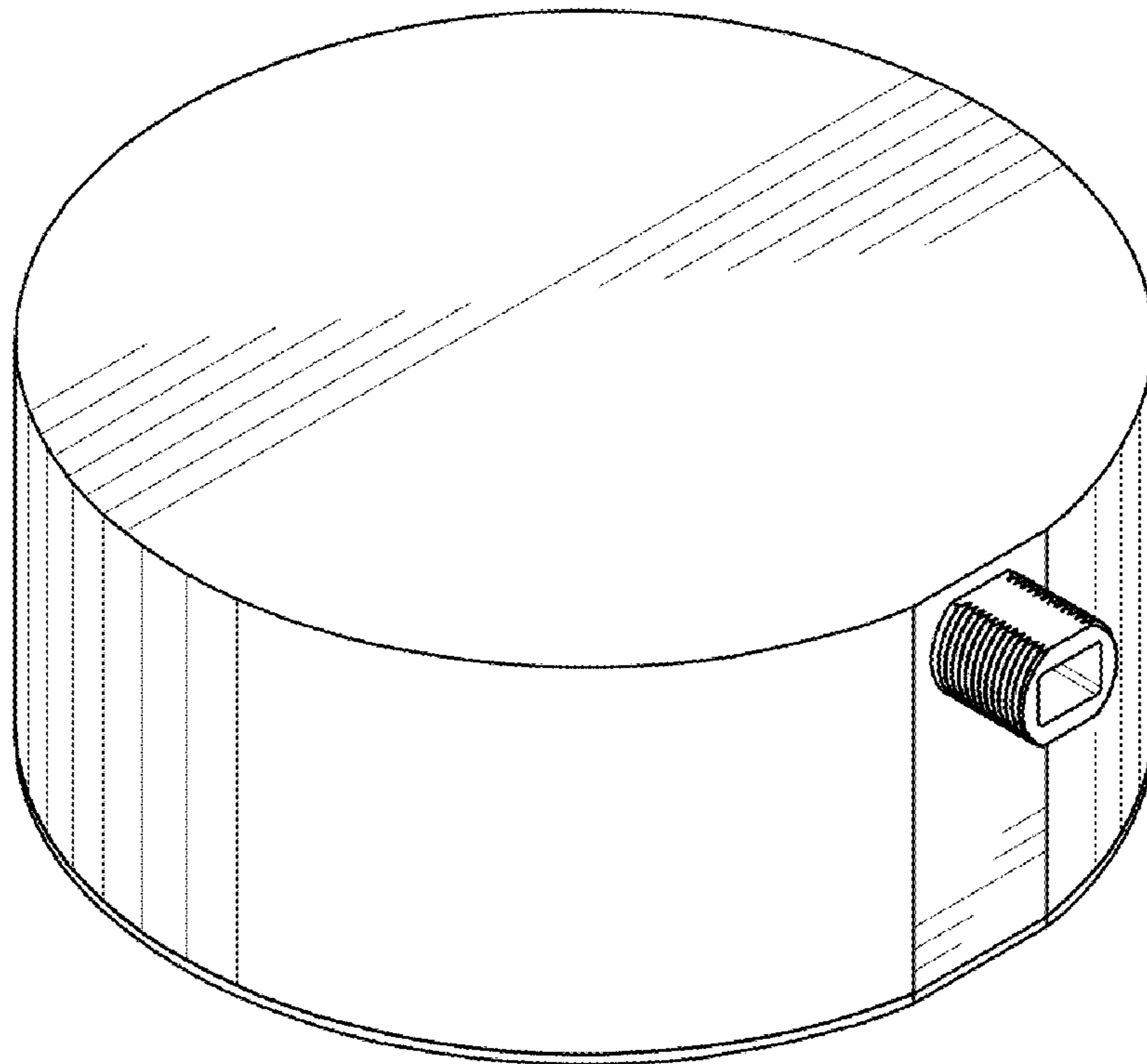
D515,958 S *	2/2006	Dueker	.....	D10/109.1
D599,241 S *	9/2009	Andre	.....	D10/104.1
D637,224 S *	5/2011	Smith	.....	D17/24
D650,116 S *	12/2011	Buyce	.....	D26/118
D657,504 S *	4/2012	So	.....	D30/155
D735,131 S *	7/2015	Akana	.....	D13/108
D747,229 S *	1/2016	Perez	.....	D10/104.1
2015/0219963 A1 *	8/2015	Lee	.....	G02F 1/133602 349/64

\* cited by examiner  
*Primary Examiner* — George D. Kirschbaum  
*Assistant Examiner* — Joseph J Kukella  
(74) *Attorney, Agent, or Firm* — Guice Patents PLLC

(57) **CLAIM**  
The ornamental design for an emergency light, as shown and described.

**DESCRIPTION**  
FIG. 1 is a perspective view showing the front, left side and top;  
FIG. 2 is a rear view thereof;  
FIG. 3 is a front view thereof;  
FIG. 4 is a left view thereof;  
FIG. 5 is a right view thereof;  
FIG. 6 is a top view thereof;  
FIG. 7 is a bottom view thereof; and,  
FIG. 8 is a perspective view showing the using reference.  
In the drawings, the broken lines depict environmental subject matter only and form no part of the claimed design.

**1 Claim, 5 Drawing Sheets**



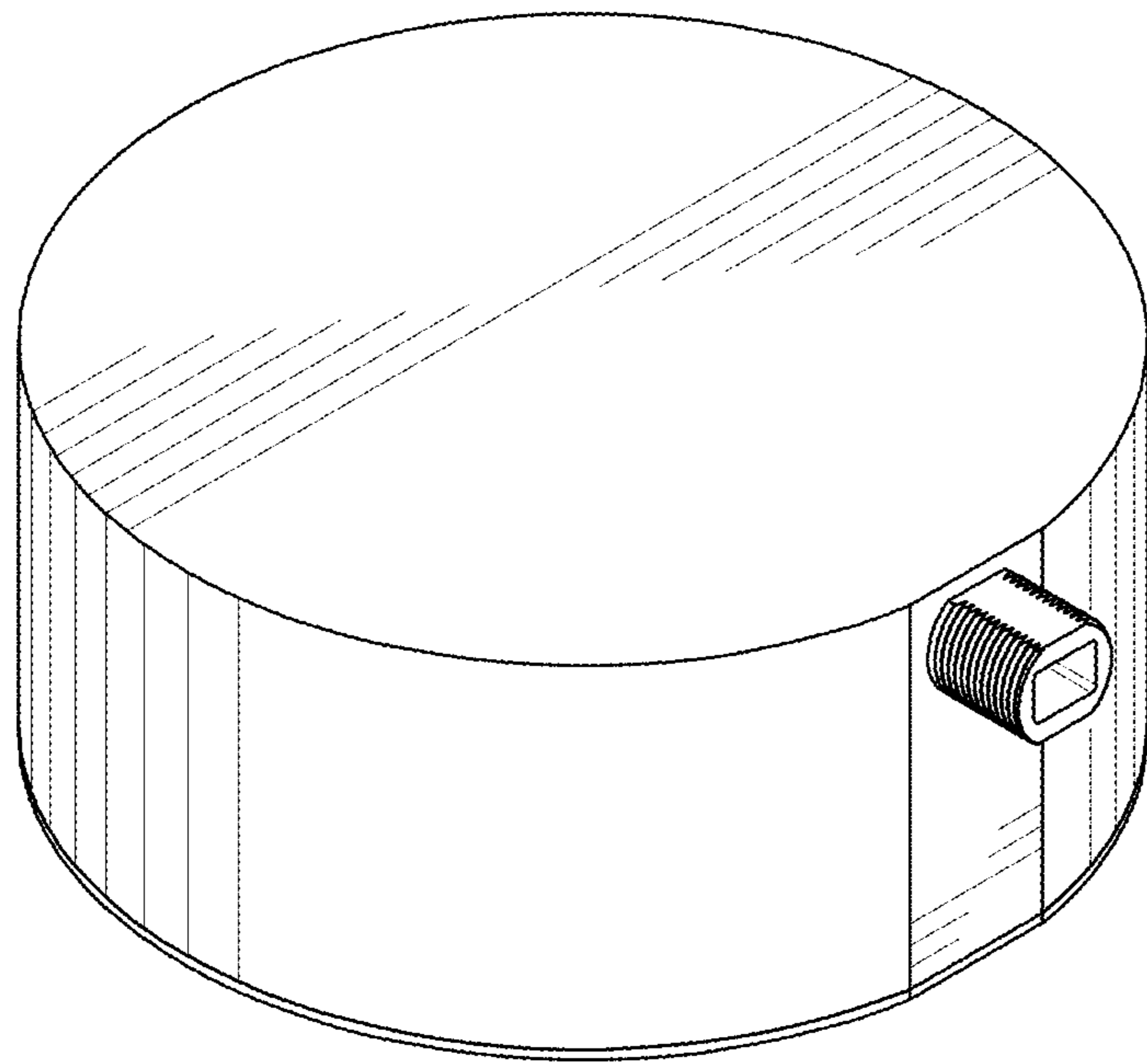


Fig. 1

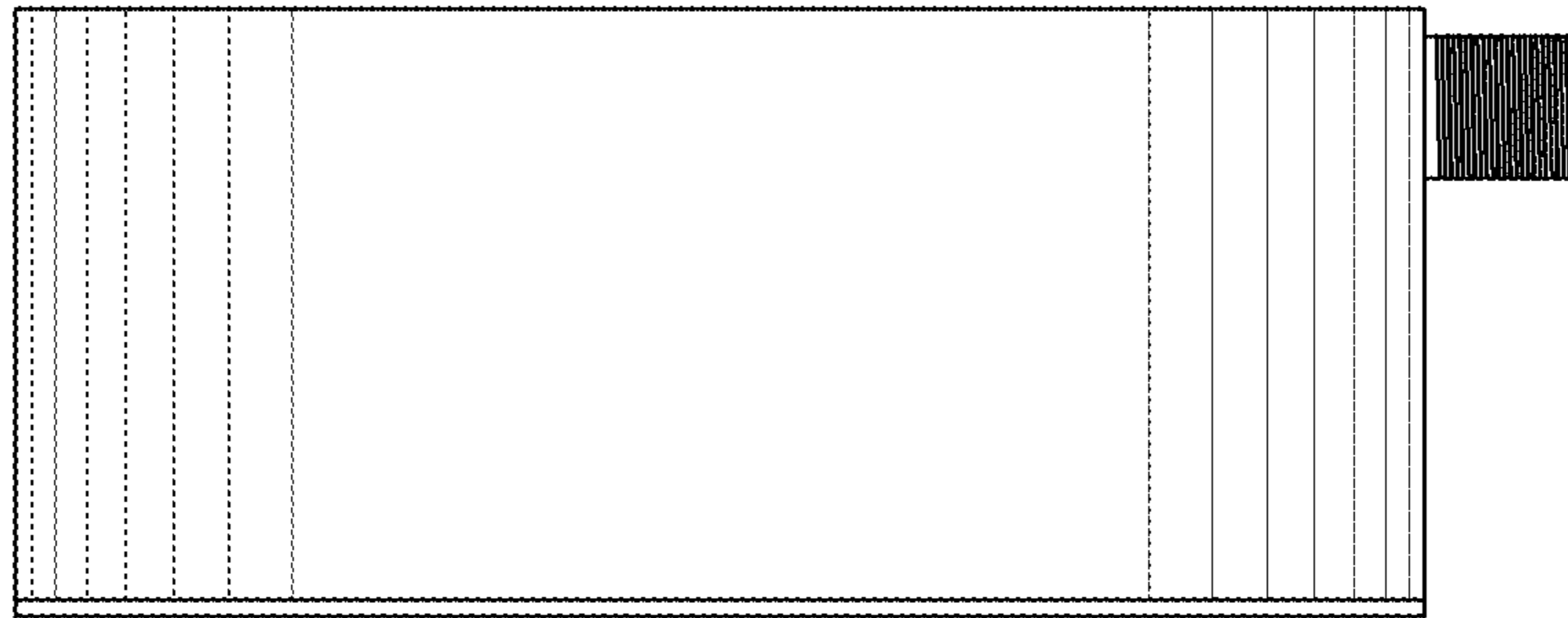


Fig. 2

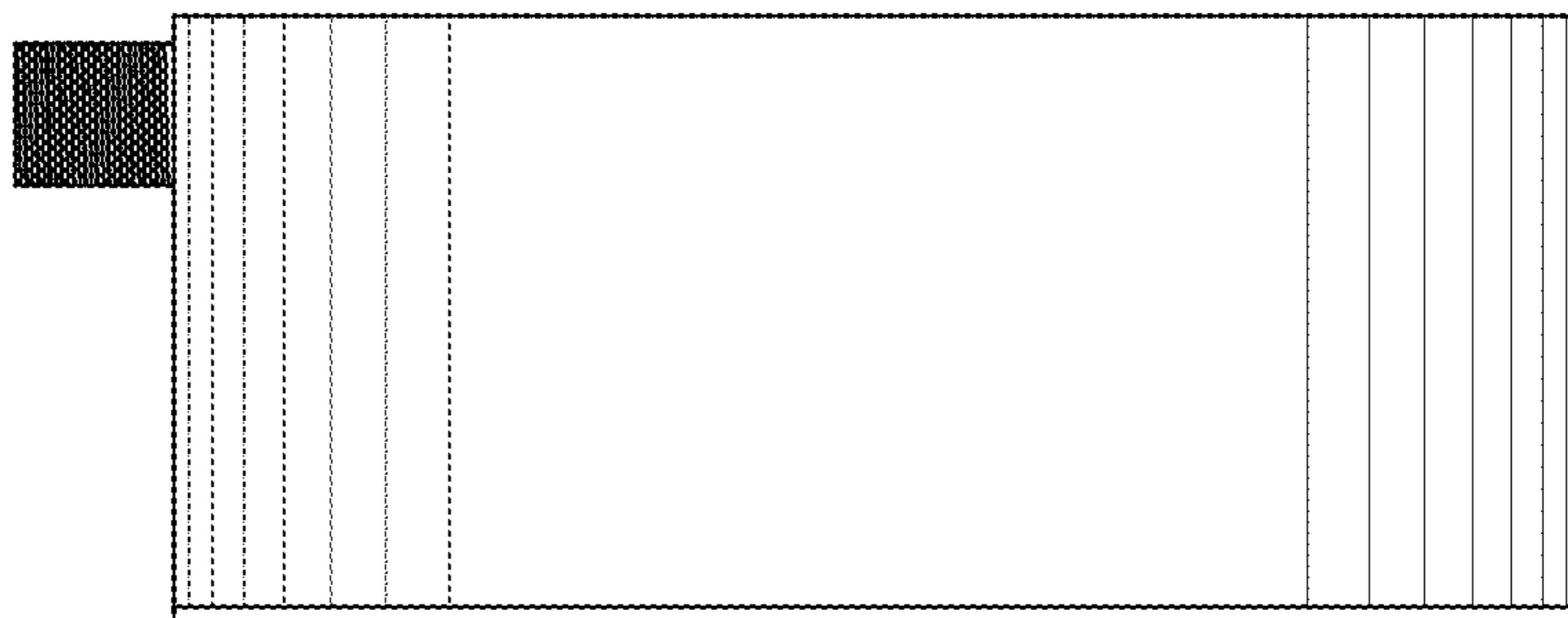


Fig. 3



Fig. 4

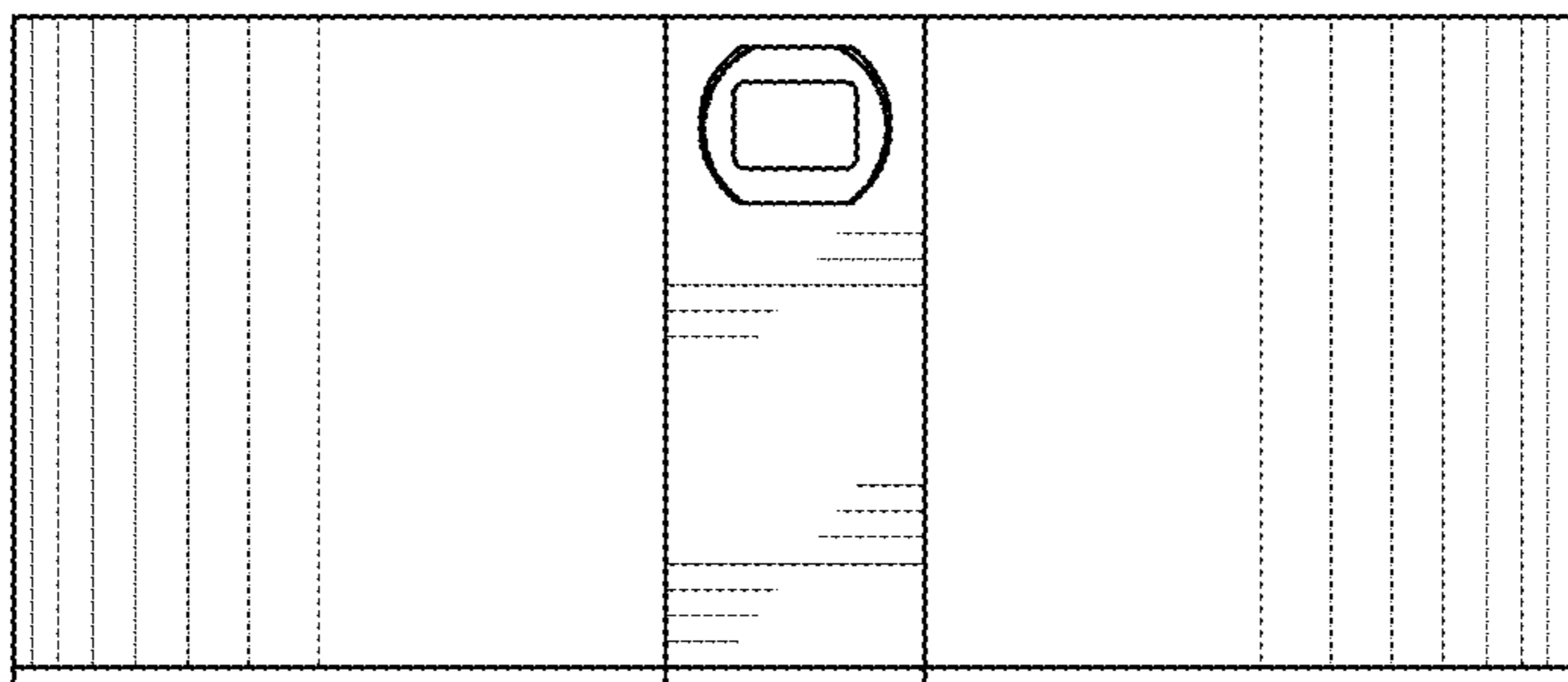


Fig. 5

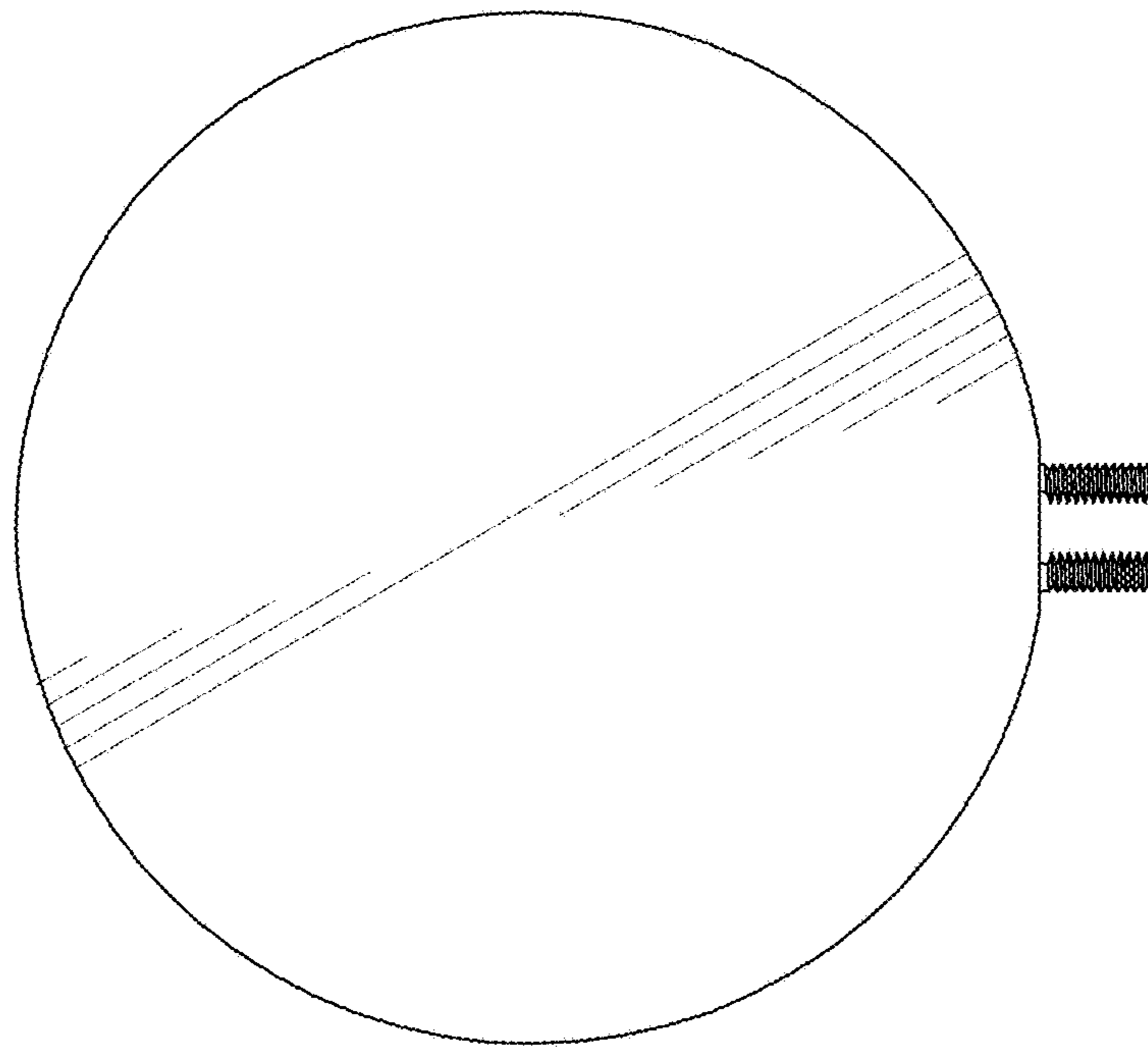


Fig. 6

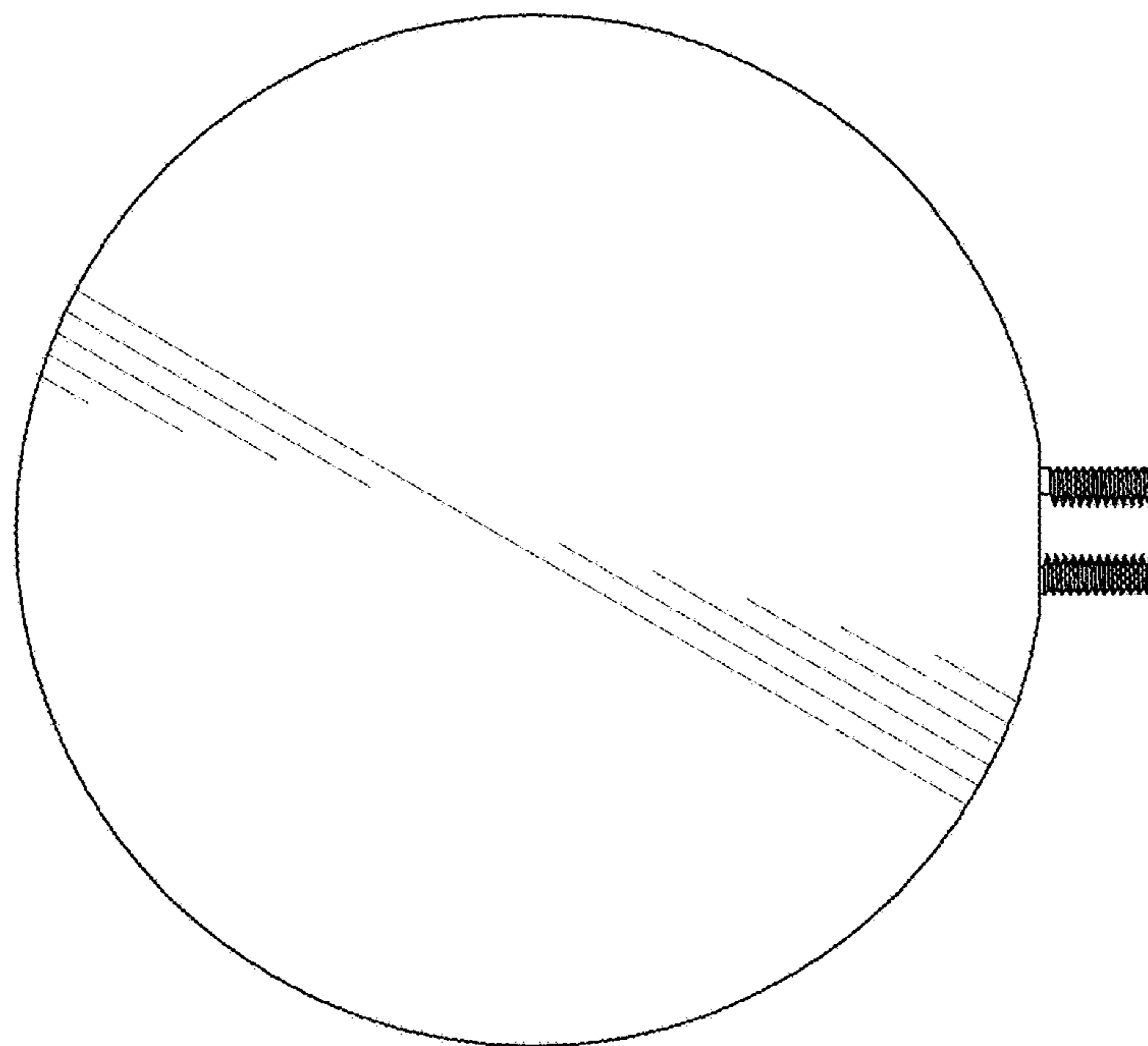


Fig. 7

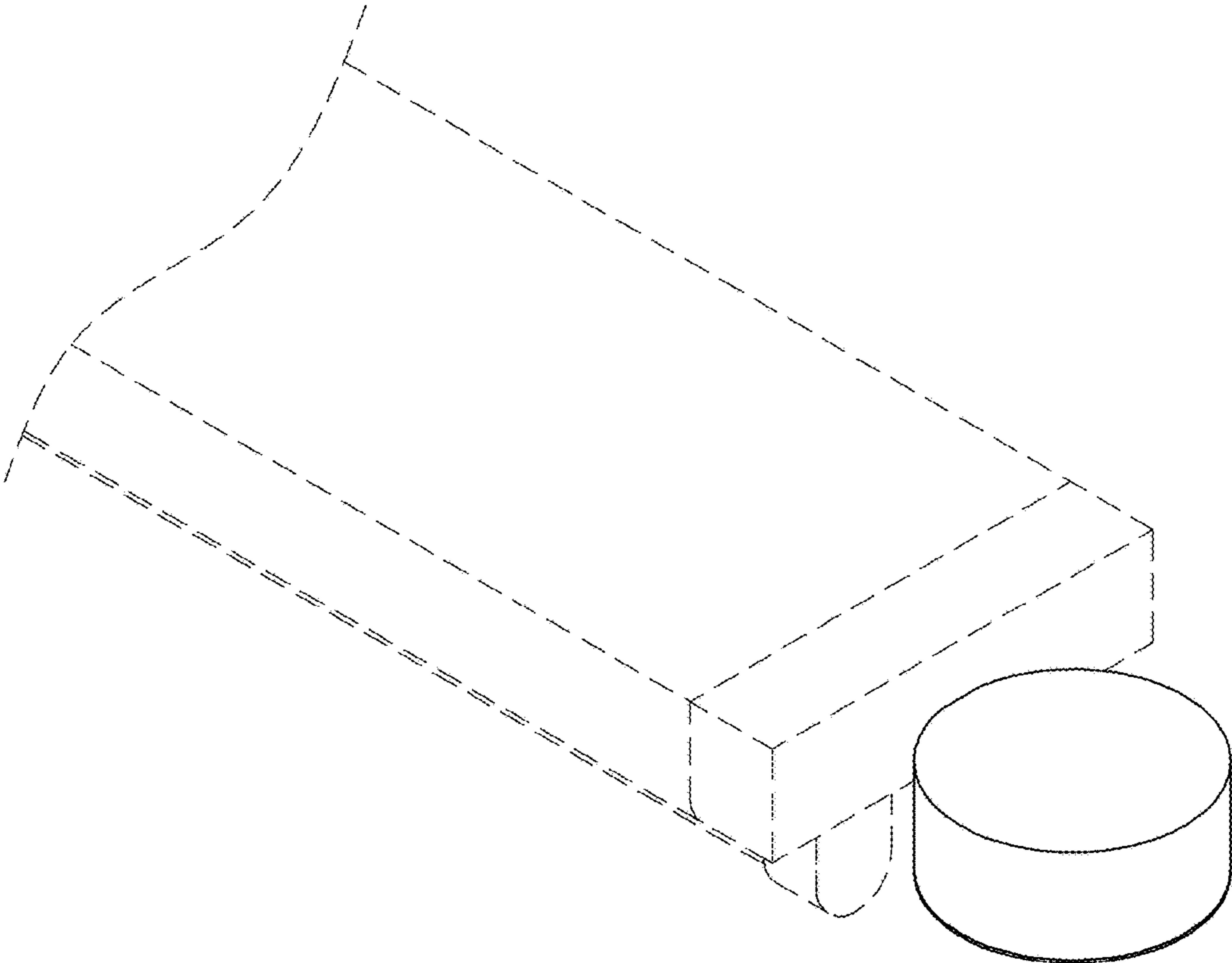


Fig. 8