



US00D804977S

(12) **United States Design Patent** (10) **Patent No.:** **US D804,977 S**
Xu (45) **Date of Patent:** **** Dec. 12, 2017**

(54) **MONITORING APPARATUS**

(71) Applicant: **IBABY LABS, INC.**, San Jose, CA
(US)

(72) Inventor: **Yong Xu**, San Jose, CA (US)

(**) Term: **15 Years**

(21) Appl. No.: **35/001,158**

(22) Filed: **Feb. 18, 2016**

(80) **Hague Agreement Data**

Int. Filing Date: **Feb. 18, 2016**

Int. Reg. No.: **DM/090784**

Int. Reg. Date: **Feb. 18, 2016**

Int. Reg. Pub. Date: **Aug. 19, 2016**

(51) **LOC (10) Cl.** **10-05**

(52) **U.S. Cl.**
USPC **D10/106.1**

(58) **Field of Classification Search**
USPC D10/46, 106.1, 104.1, 52; D16/203
See application file for complete search history.

(56) **References Cited**

U.S. PATENT DOCUMENTS

D399,766 S * 10/1998 Picozza D10/46
D422,520 S * 4/2000 Zabawski D10/106.1

D422,928 S * 4/2000 Zabawski D10/106.1
D422,929 S * 4/2000 Zabawski D10/106.1
D576,196 S * 9/2008 Grotto D16/203
D644,259 S * 8/2011 Barley D16/203
D741,204 S * 10/2015 Chen D10/52
D756,248 S * 5/2016 Rosenberg D10/52
D756,811 S * 5/2016 Xiao D10/52
D785,693 S * 5/2017 Kim D16/202
D790,367 S * 6/2017 Krafft D10/52
D794,106 S * 8/2017 Wang D16/203

* cited by examiner

Primary Examiner — George D Kirschbaum

(74) *Attorney, Agent, or Firm* — Alexander Chen, Esq.

(57) **CLAIM**

The ornamental design for monitoring apparatus, as shown and described.

DESCRIPTION

1. Monitoring Apparatus

1.1 : Perspective

1.2 : Front

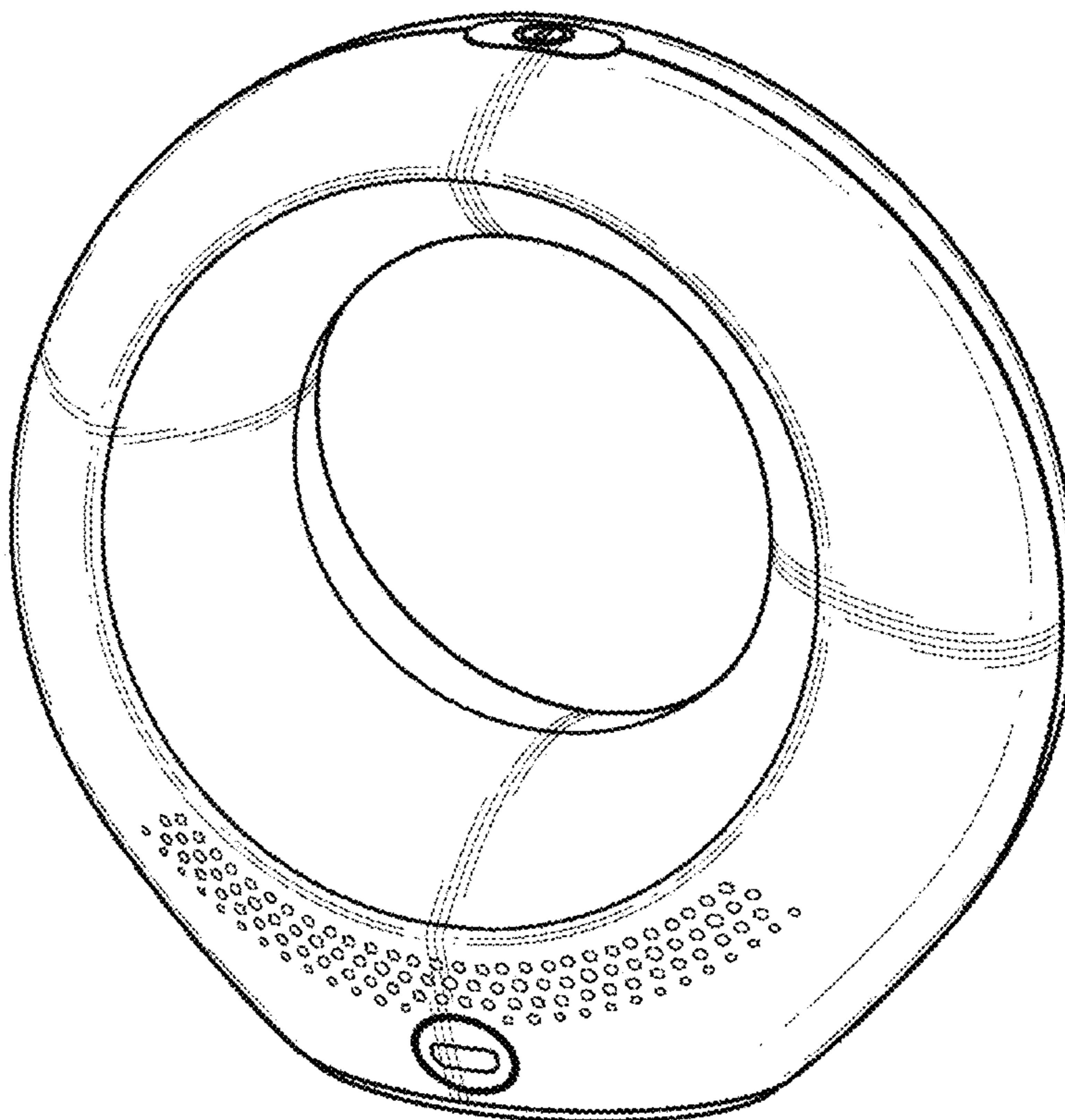
1.3 : Back

1.4 : Right

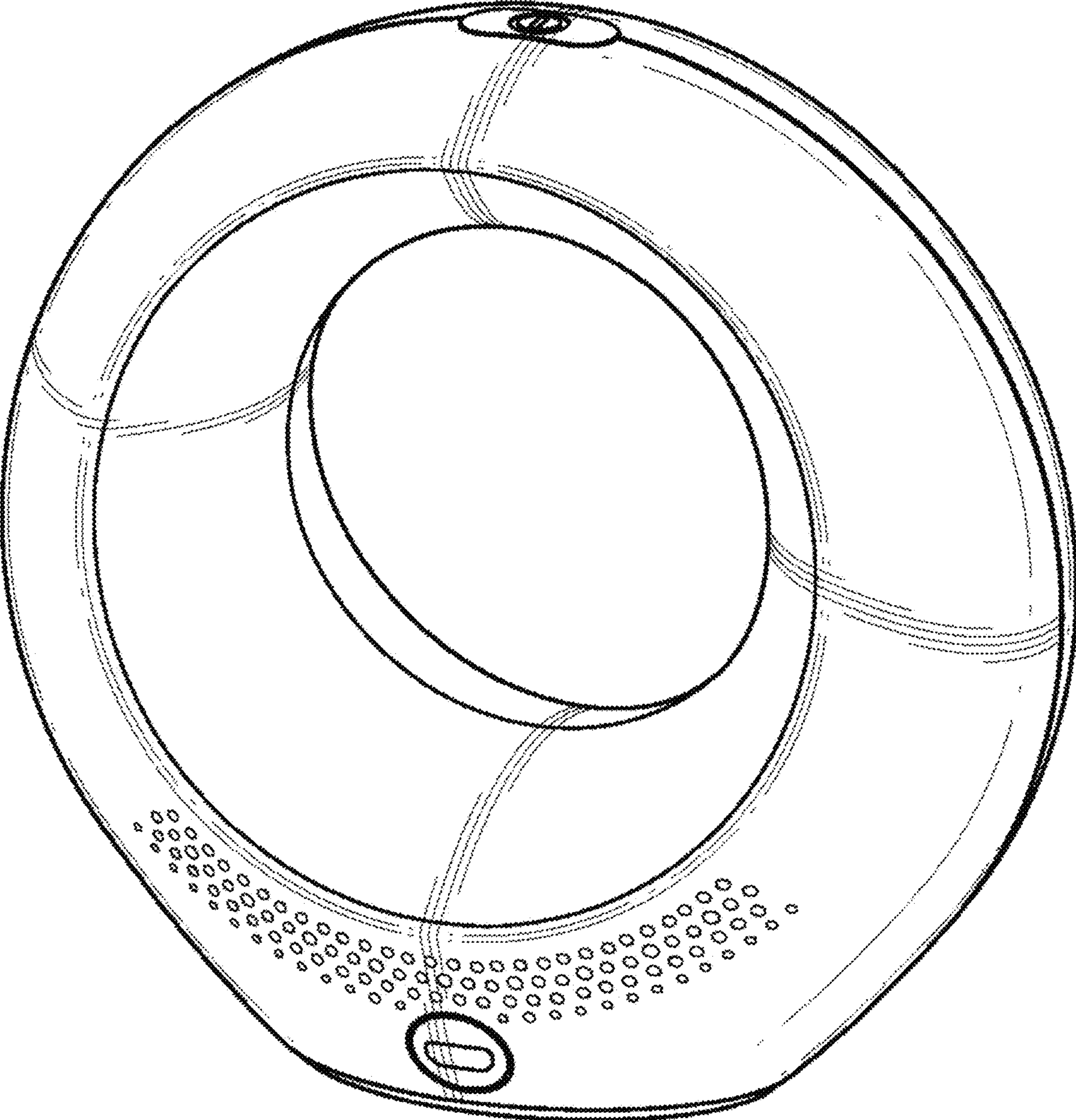
1.5 : Top

1.6 : Bottom

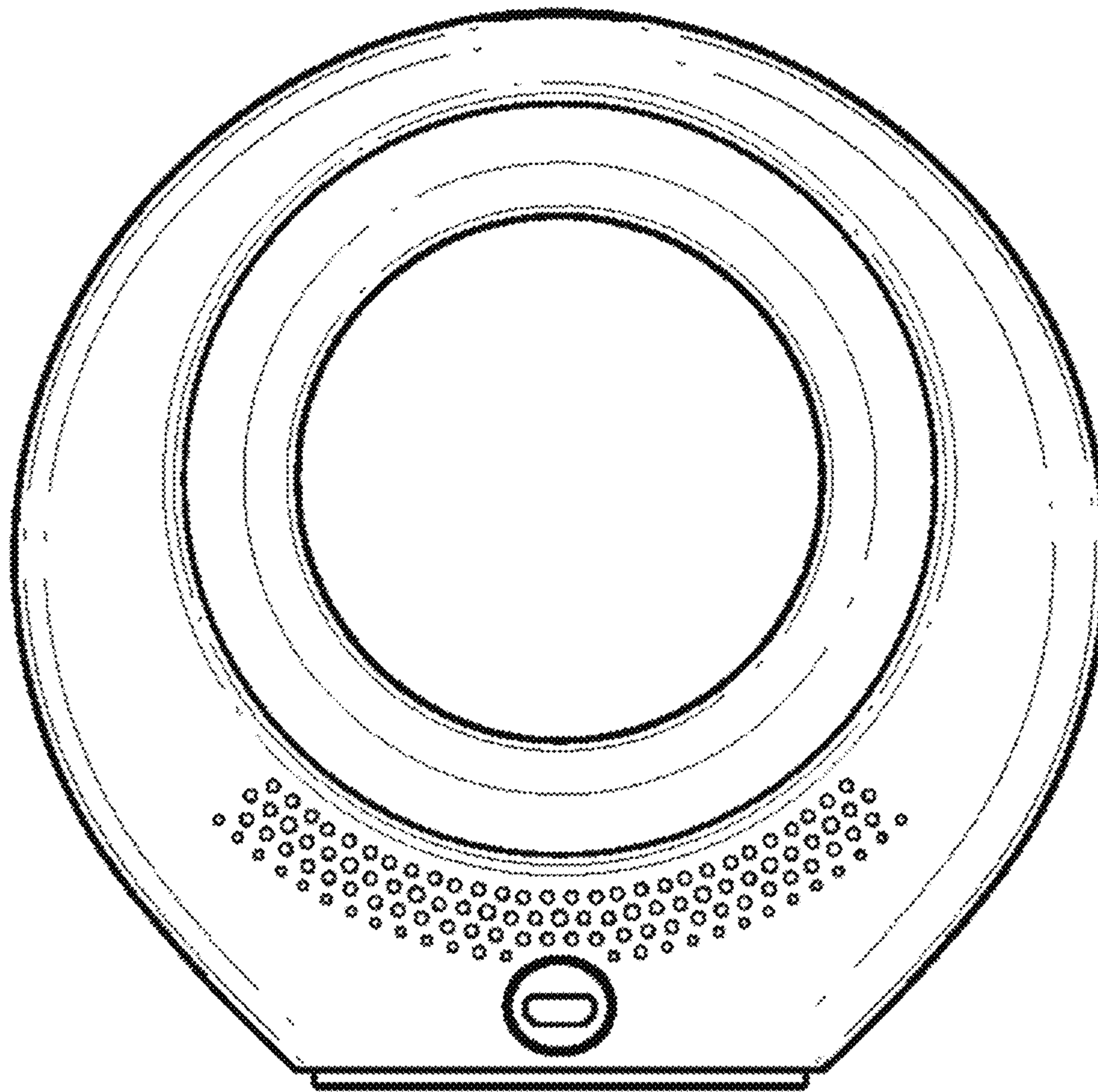
1 Claim, 6 Drawing Sheets



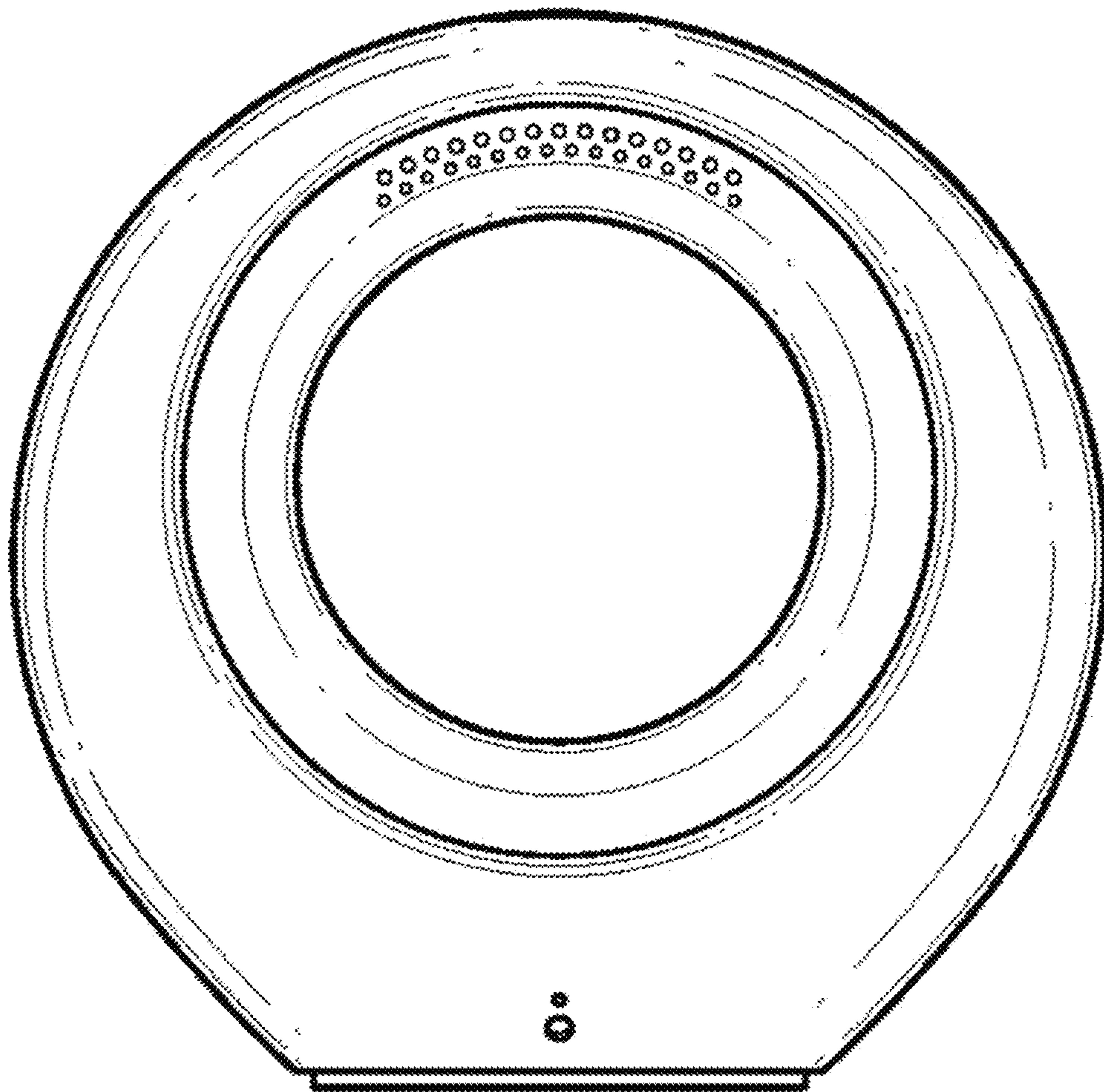
1.1



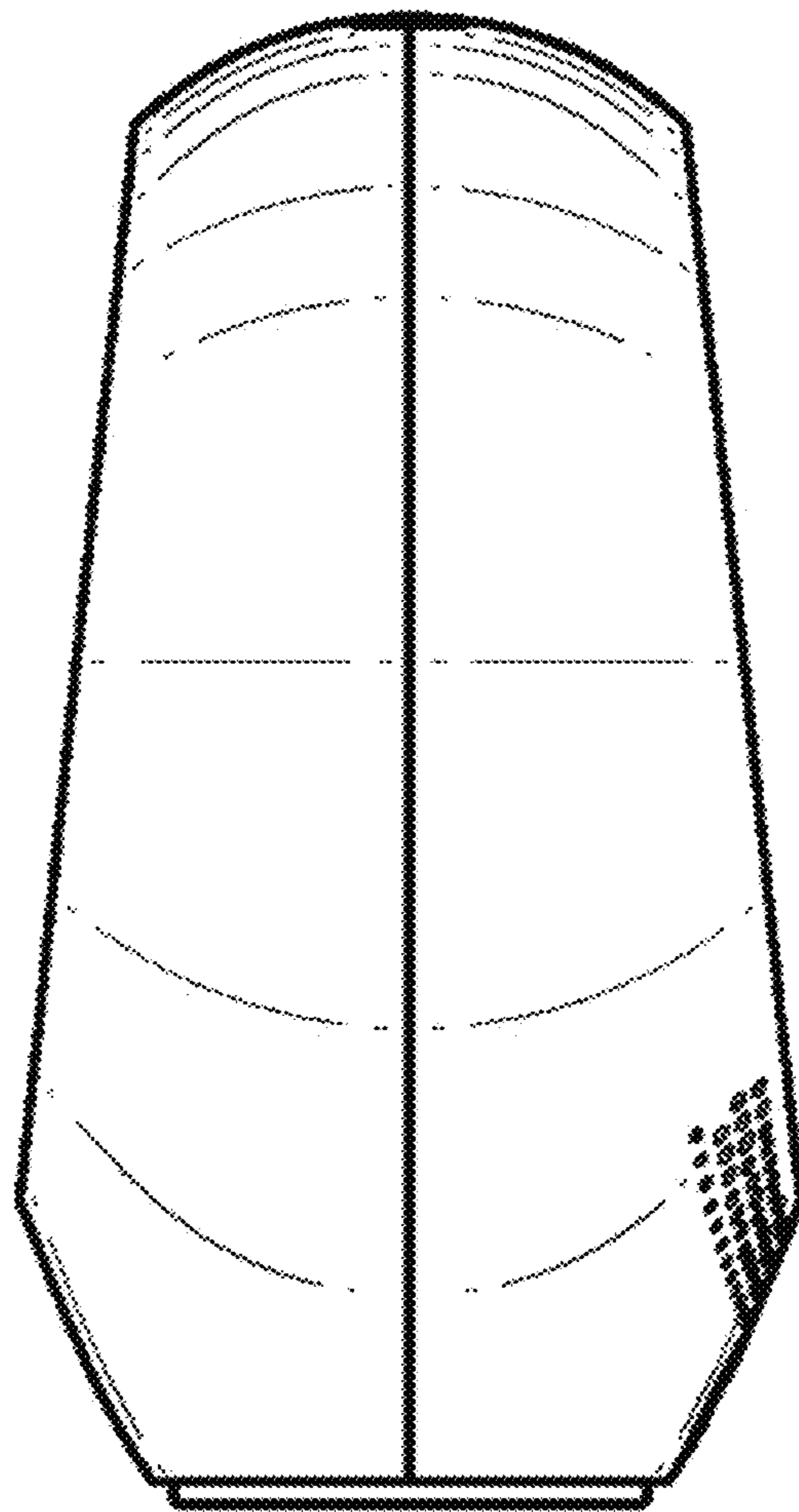
1.2



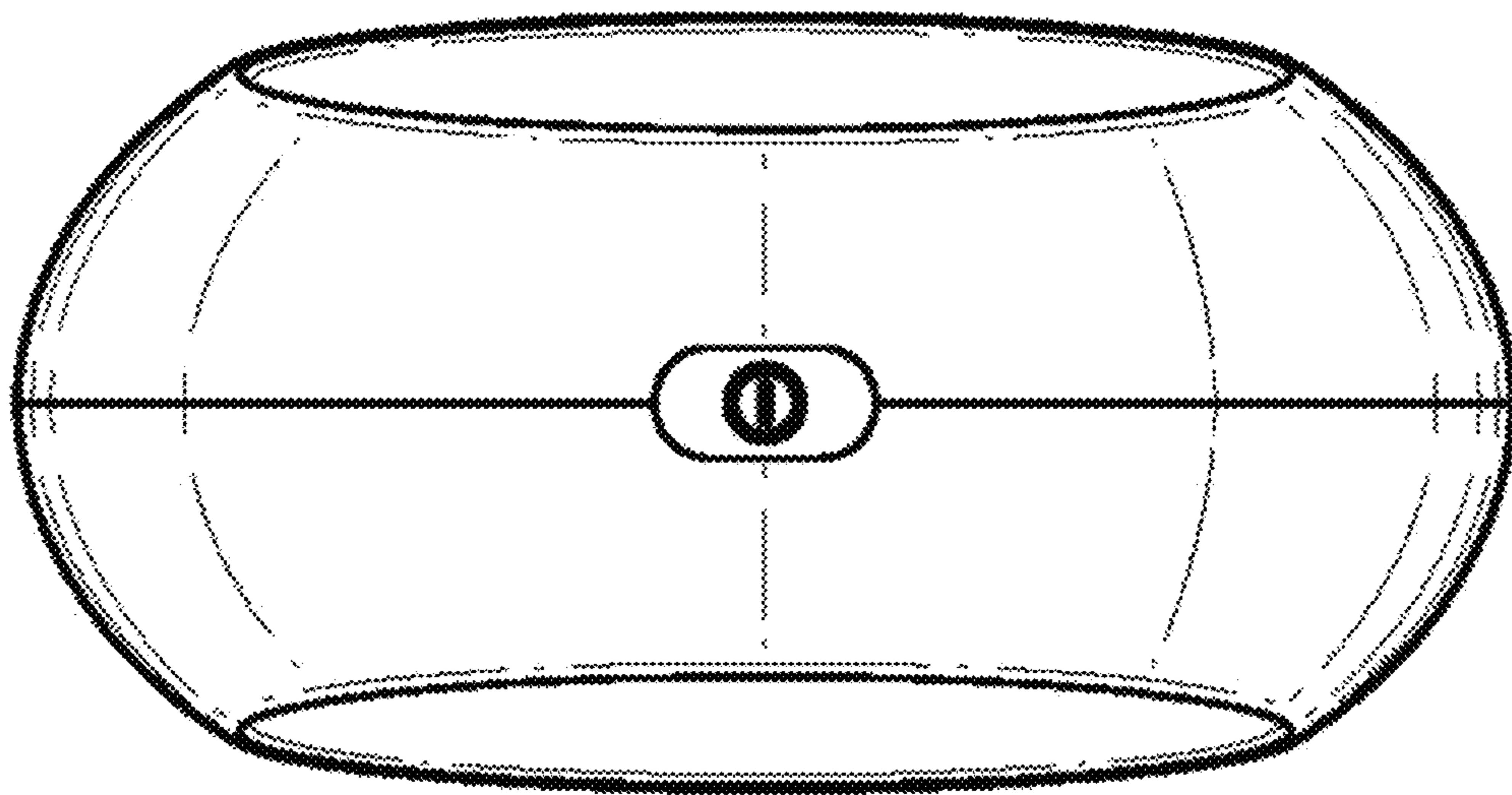
1.3



1.4



1.5



1.6

