



US00D804975S

(12) **United States Design Patent**
Truitt

(10) **Patent No.:** **US D804,975 S**

(45) **Date of Patent:** **** Dec. 12, 2017**

(54) **REFRIGERANT MAINTENANCE SYSTEM**

(71) Applicant: **Ritchie Engineering Company, Inc.**,
Bloomington, MN (US)

(72) Inventor: **Peter Truitt**, St. Paul, MN (US)

(73) Assignee: **Ritchie Engineering Company, Inc.**,
Bloomington, MN (US)

(**) Term: **15 Years**

(21) Appl. No.: **29/546,204**

(22) Filed: **Nov. 19, 2015**

(51) **LOC (10) Cl.** **10-04**

(52) **U.S. Cl.**

USPC **D10/102; D15/79; D15/199**

(58) **Field of Classification Search**

USPC **D10/102; D15/79, 199**

CPC **F25B 45/00; F25B 2345/00;**

F25B 2345/001; F25B 2345/002; F25B

2345/003; F25B 2345/004; F25B

2345/005; F25B 2345/0051; F25B

2345/0052; F25B 2345/006; F25B

2345/007

See application file for complete search history.

(56) **References Cited**

U.S. PATENT DOCUMENTS

D445,116 S * 7/2001 Evans D15/79

D512,730 S * 12/2005 Orenstein D15/79

8,752,396 B2 * 6/2014 Chaudhry B60H 1/00585

62/149

D711,434 S * 8/2014 Aglassinger D15/79

9,366,465 B2 * 6/2016 McMasters F25B 45/00

9,366,488 B2 * 6/2016 Sanhaji F25B 45/00

9,447,998 B2 * 9/2016 McMasters F25B 45/00

9,464,833 B2 * 10/2016 McMasters F25B 45/00

* cited by examiner

Primary Examiner — Antoine Duval Davis

(74) *Attorney, Agent, or Firm* — Merchant & Gould P.C.

(57) **CLAIM**

The ornamental design for a refrigerant maintenance system, as shown and described.

DESCRIPTION

FIG. 1 is an isometric view of a first embodiment of a refrigerant maintenance system;

FIG. 2 is a front elevation view of the refrigerant maintenance system of FIG. 1;

FIG. 3 is a rear elevation view of the refrigerant maintenance system of FIG. 1;

FIG. 4 is a right side elevation view of the refrigerant maintenance system of FIG. 1;

FIG. 5 is a left side elevation view of the refrigerant maintenance system of FIG. 1;

FIG. 6 is a top view of refrigerant maintenance system of FIG. 1;

FIG. 7 is a bottom view of refrigerant maintenance system of FIG. 1;

FIG. 8 is an isometric view of a second embodiment of a refrigerant maintenance system;

FIG. 9 is a front elevation view of the refrigerant maintenance system of FIG. 8;

FIG. 10 is a rear elevation view of the refrigerant maintenance system of FIG. 8;

FIG. 11 is a right side elevation view of the refrigerant maintenance system of FIG. 8;

FIG. 12 is a left side elevation view of the refrigerant maintenance system of FIG. 8;

FIG. 13 is a top view of refrigerant maintenance system of FIG. 8; and,

FIG. 14 is a bottom view of refrigerant maintenance system of FIG. 8.

The portions shown broken lines in the Figures are for illustrative purposes only and form no part of the claimed design.

1 Claim, 14 Drawing Sheets

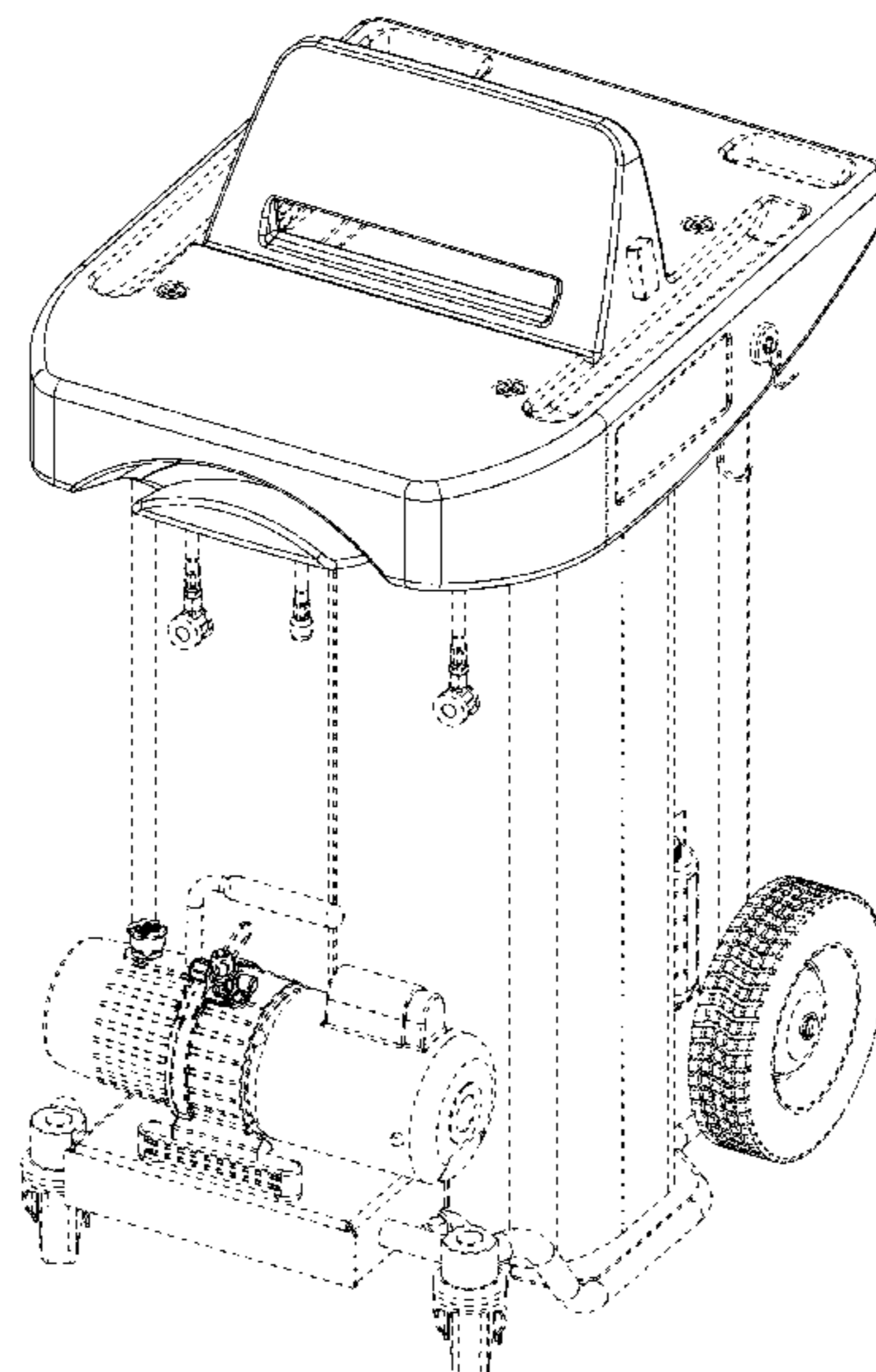


FIG. 1

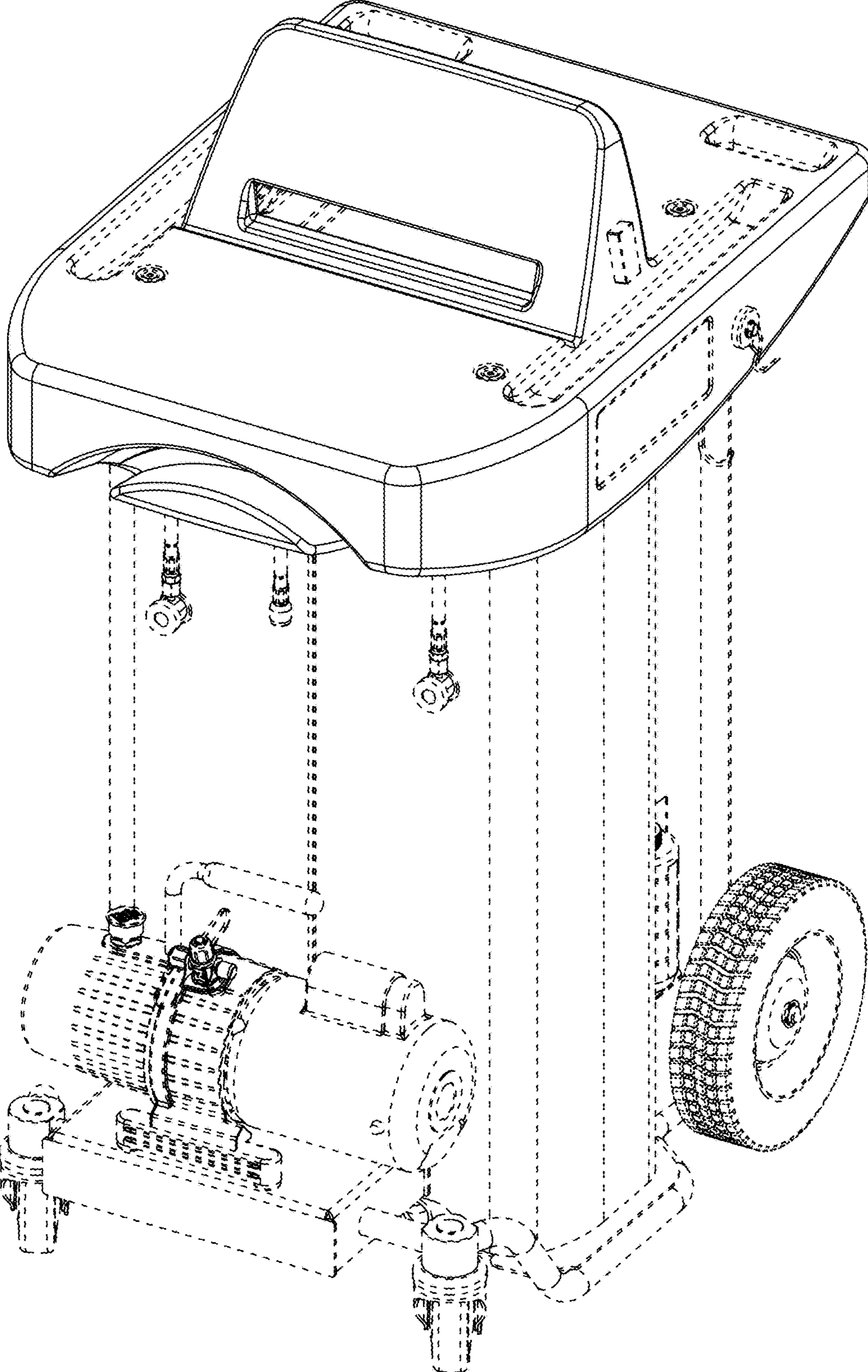


FIG. 2

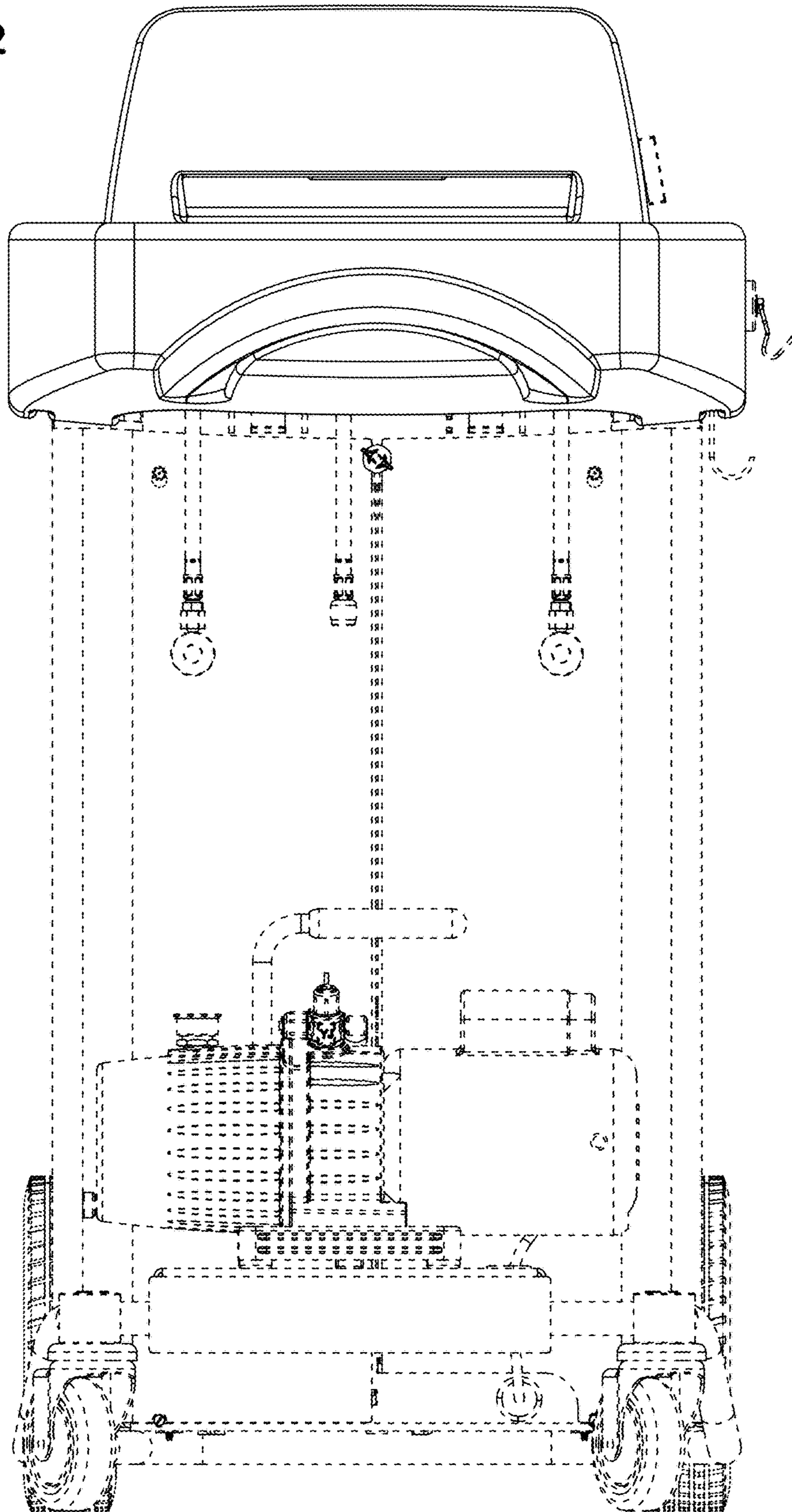


FIG. 3

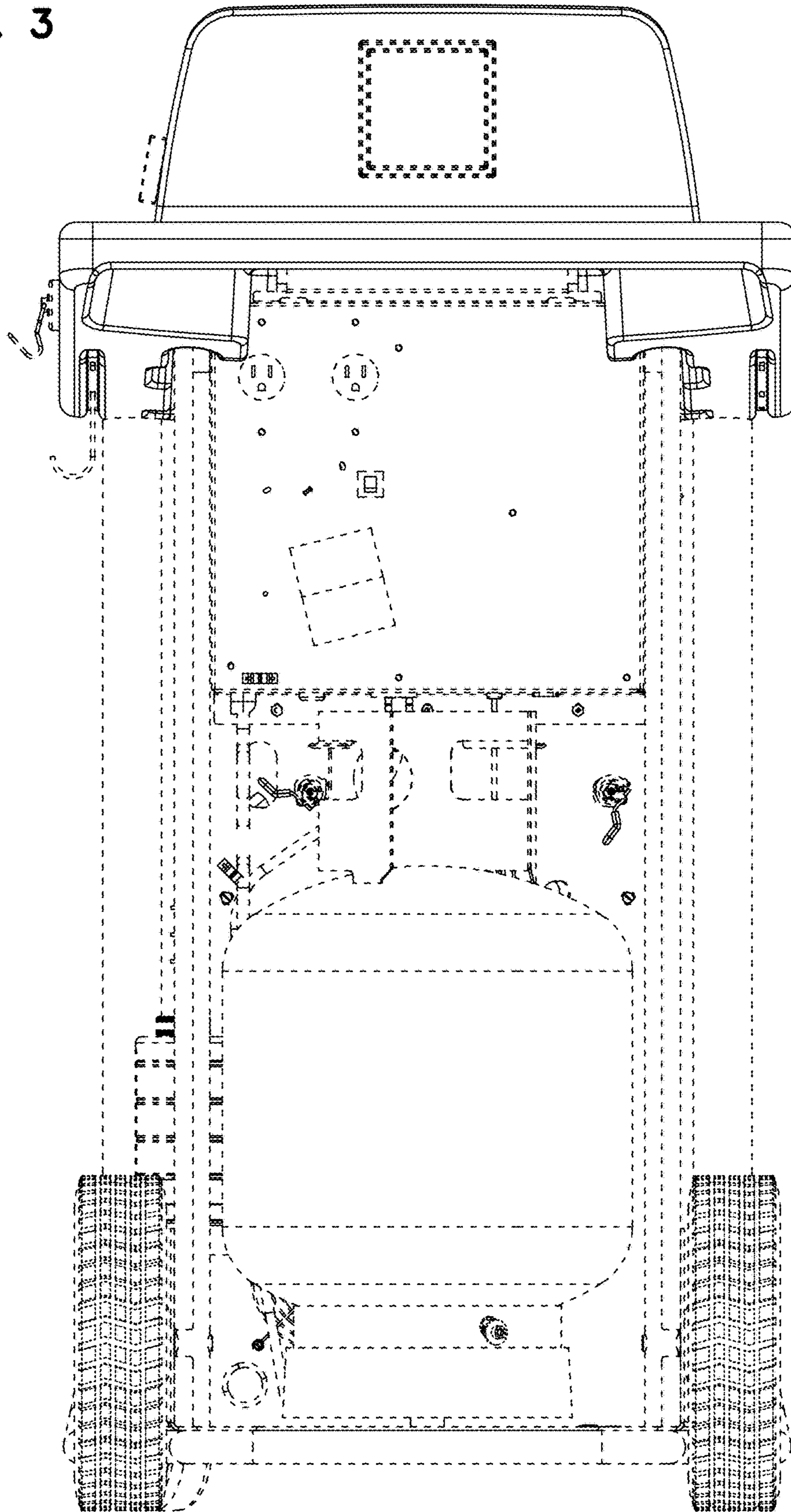


FIG. 4

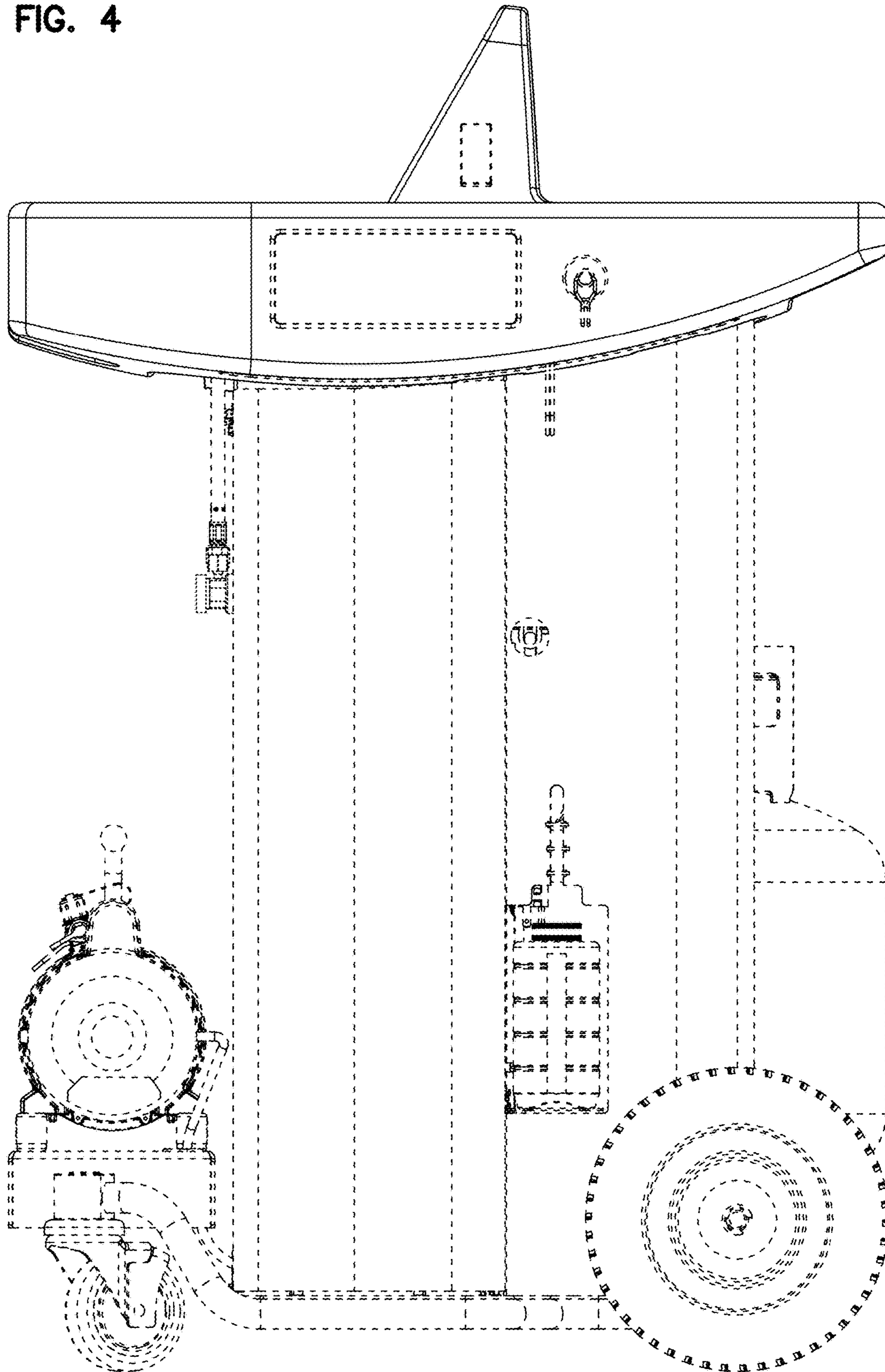


FIG. 5

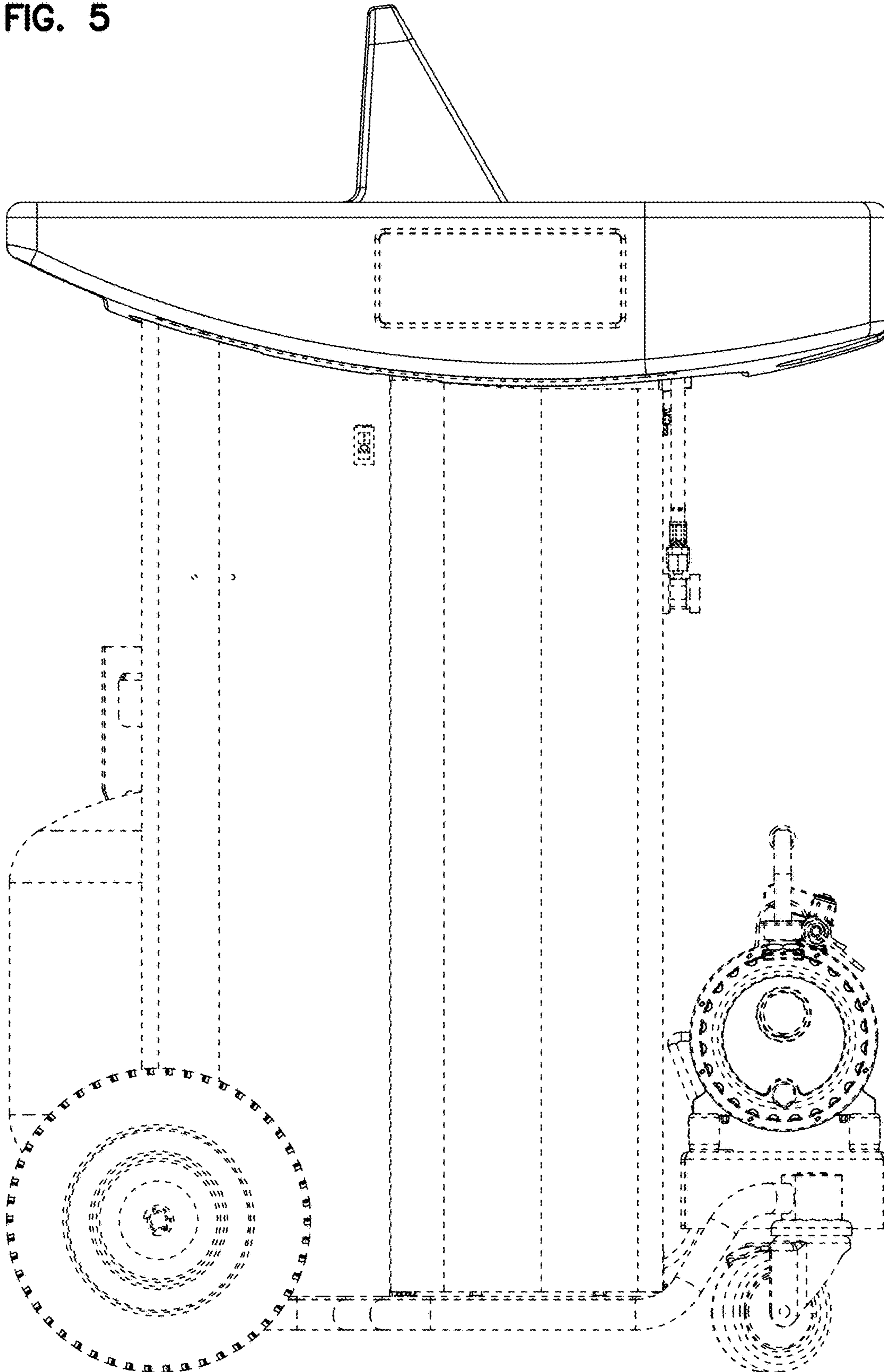


FIG. 6

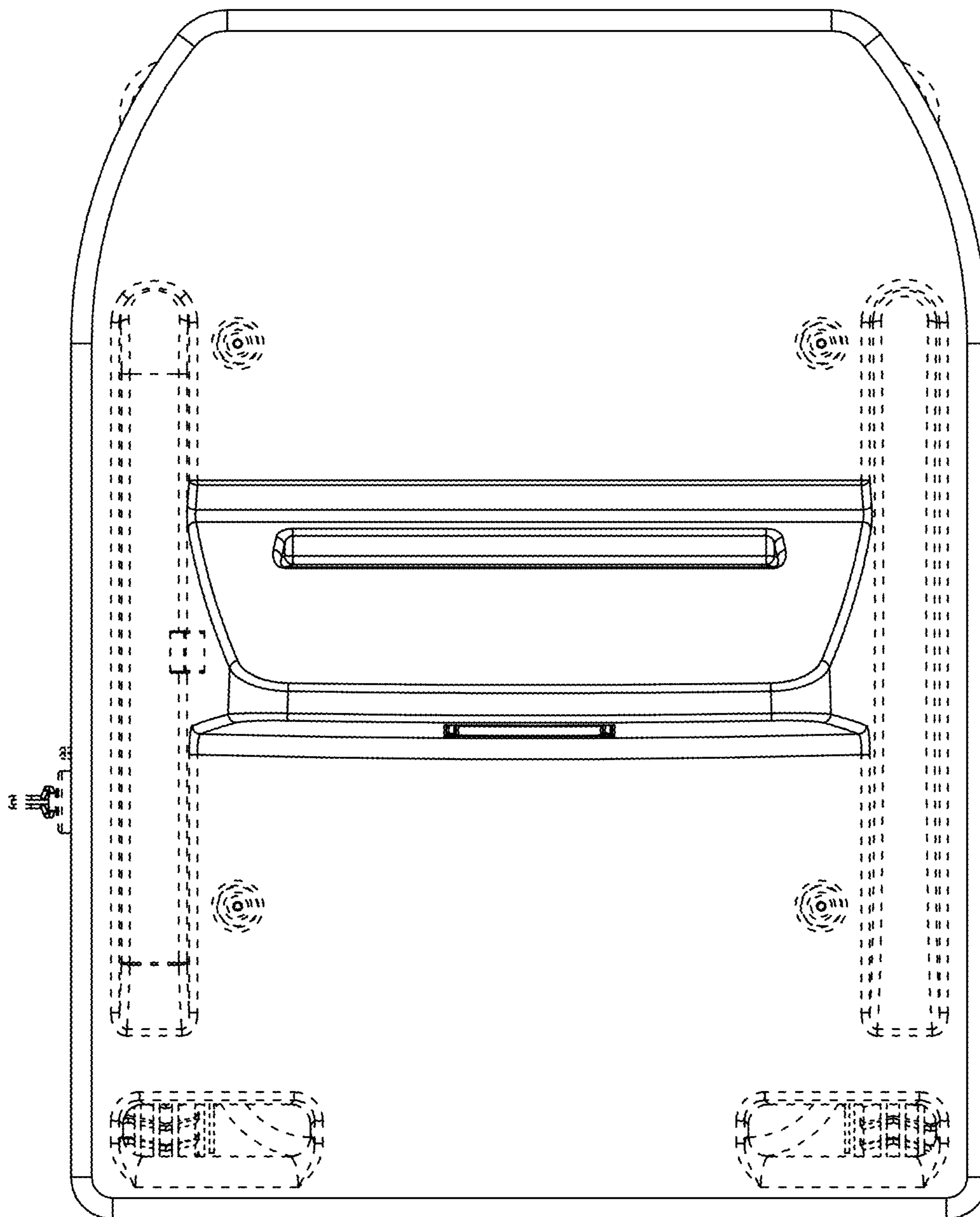


FIG. 7

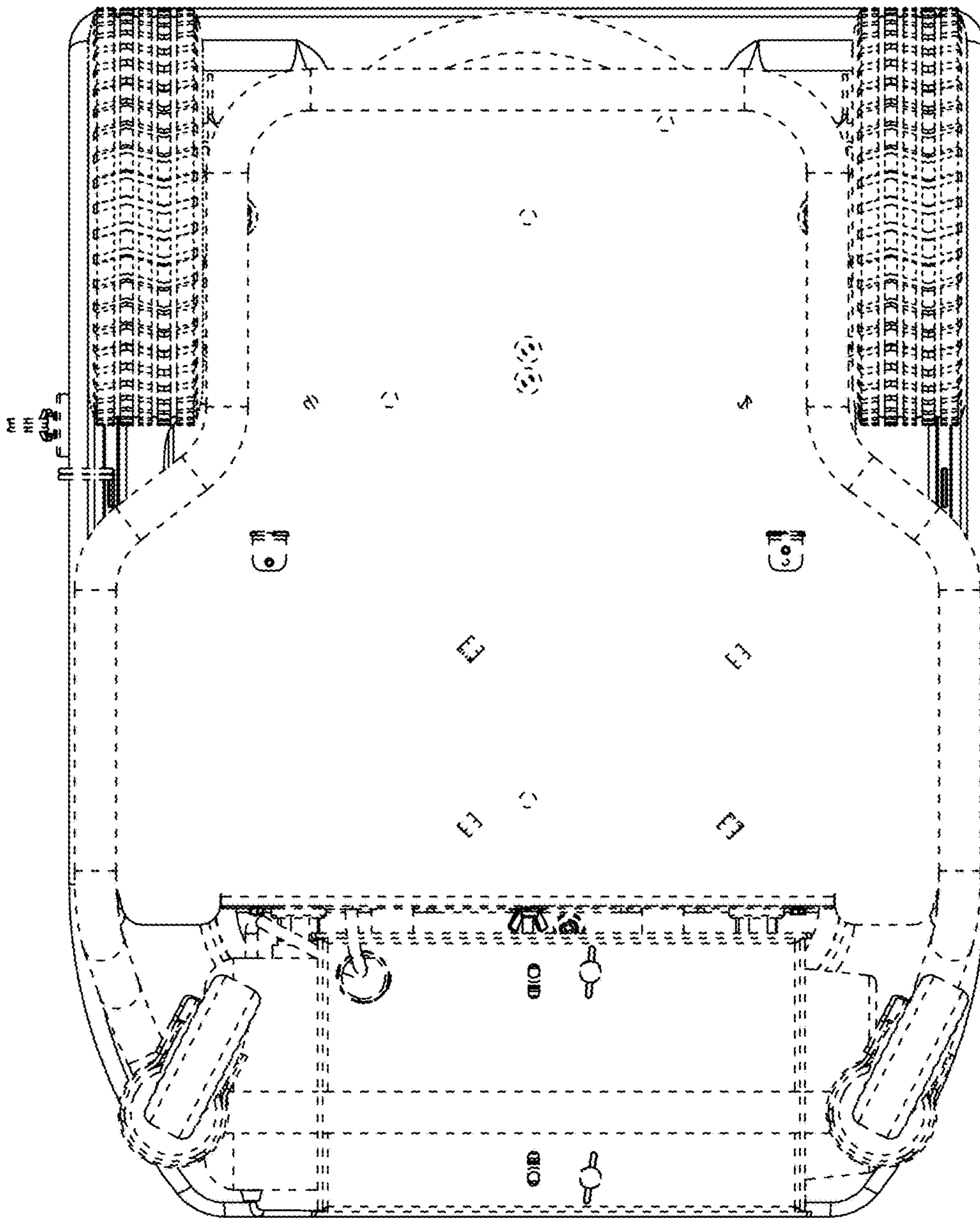


FIG. 8

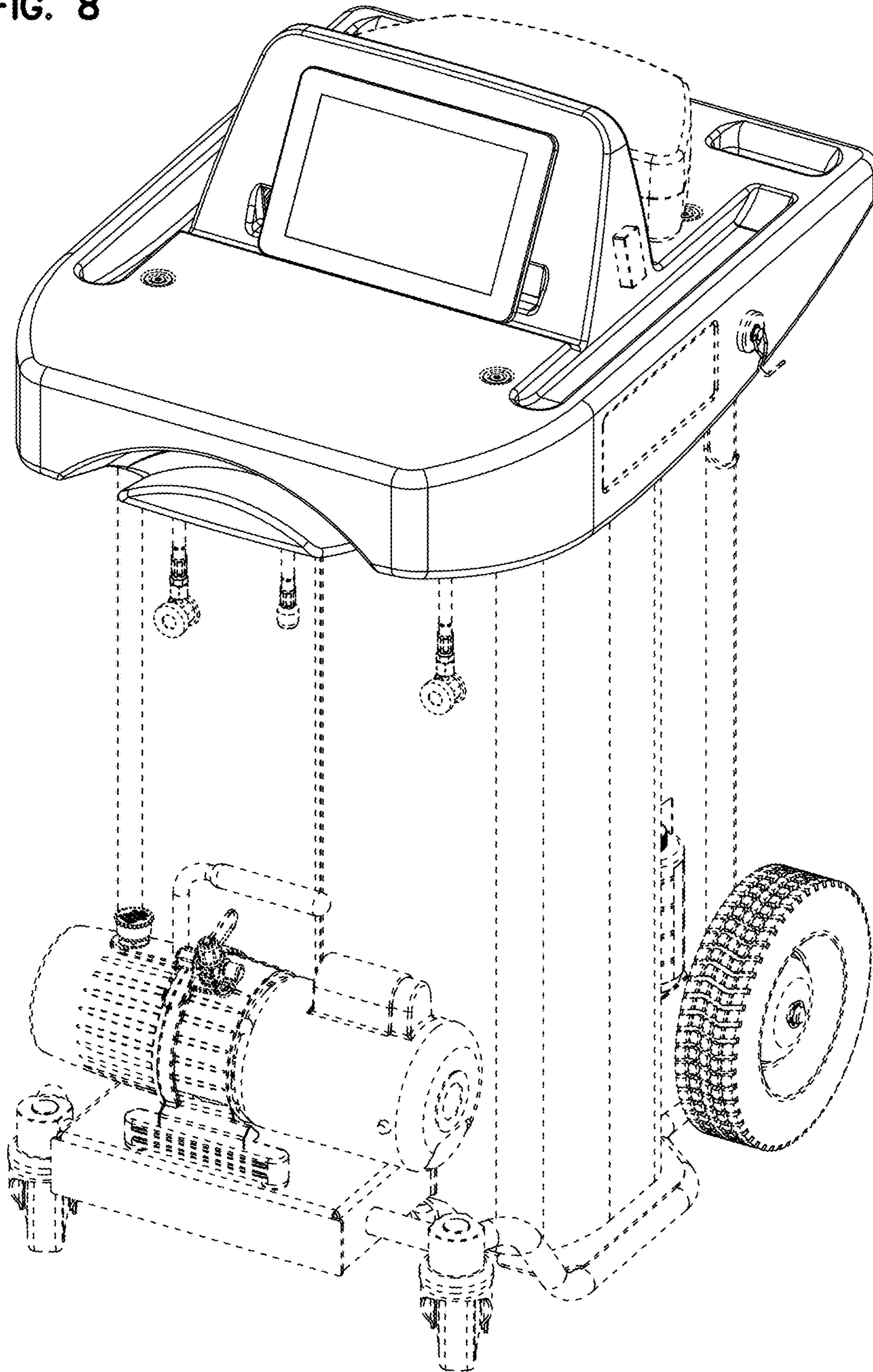


FIG. 9

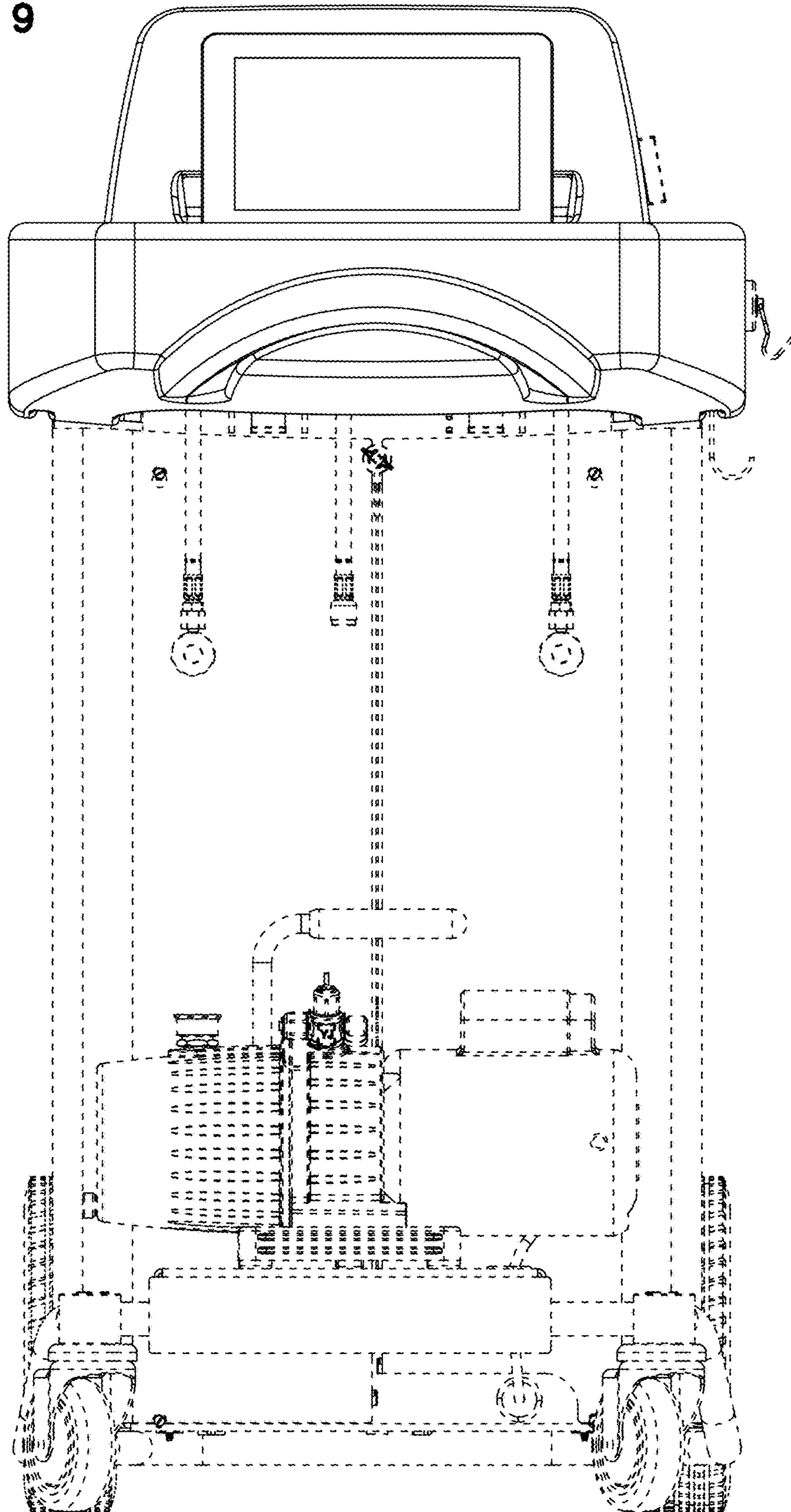


FIG. 10

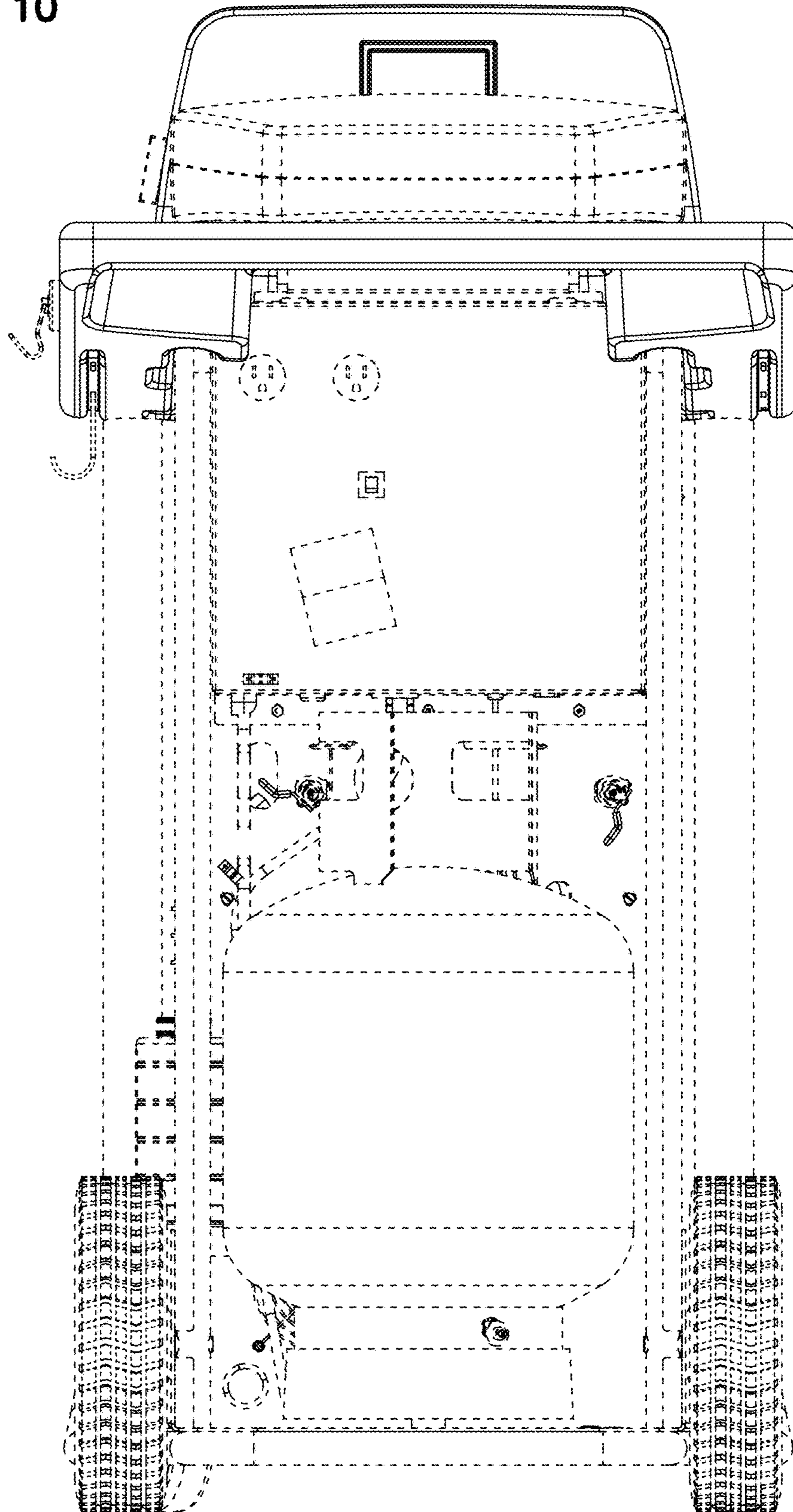


FIG. 11

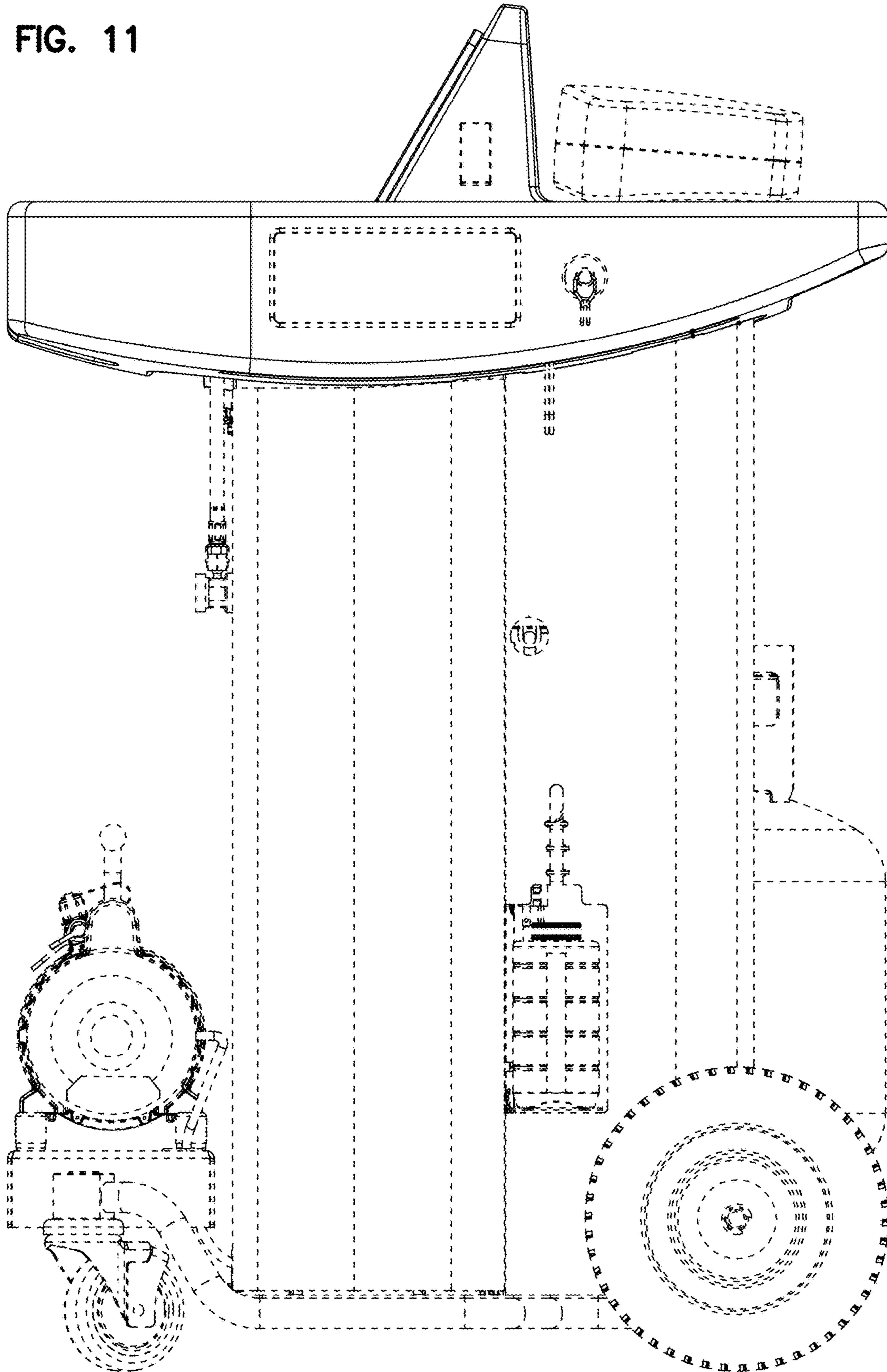


FIG. 12

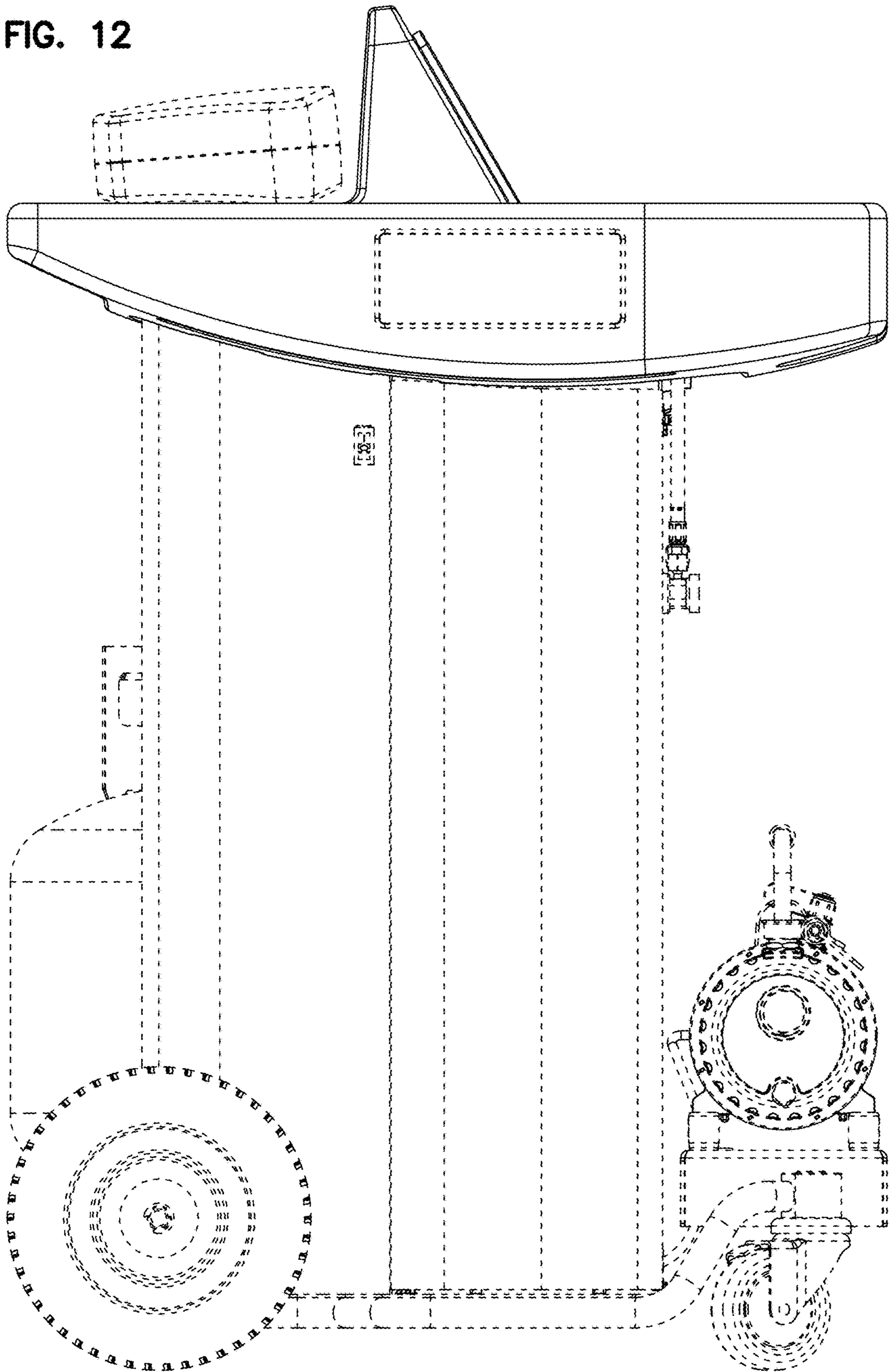


FIG. 13

