

US00D804972S

(12) **United States Design Patent** (10) **Patent No.:** **US D804,972 S**
Zhao (45) **Date of Patent:** **** Dec. 12, 2017**

(54) **OPTICAL TIME-DOMAIN REFLECTOMETER**
(71) Applicant: **INNO INSTRUMENT (CHINA) .INC, WeiHai (CN)**
(72) Inventor: **Yangri Zhao, WeiHai (CN)**
(73) Assignee: **INNO INSTRUMENT (CHINA) .INC, Weihai (CN)**
(**) Term: **15 Years**
(21) Appl. No.: **29/577,214**
(22) Filed: **Sep. 10, 2016**
(30) **Foreign Application Priority Data**
Mar. 25, 2016 (CN) 2016 3 0092864
(51) **LOC (10) Cl.** **10-04**
(52) **U.S. Cl.**
USPC **D10/78**
(58) **Field of Classification Search**
USPC D8/367, 373; D9/733, 740; D10/40, 46, D10/75, 76, 78, 80, 116.1; D14/129, D14/131, 172, 184, 194.5, 209, 210, 212, D14/216, 265, 381, 382; D24/107, 108, D24/200, 216, 225, 226, 227, 229, 230, D24/231
CPC A61B 19/0288; A61B 2050/0051; A61B 2050/0057; A61B 2050/364; A61B 50/20; A61B 50/22; A61B 50/24; A61B 50/33; A61B 50/362; B65D 43/16; B65F 1/10; A47B 96/068; A47F 5/0853; A47F 1/04; A47F 1/12; A47G 29/00; A47G 1/1686; F16B 45/00; G01M 11/3109; G01M 11/3145; G01M 11/3154; G10K 15/04
See application file for complete search history.

D551,665 S * 9/2007 Tom D14/346
D553,029 S * 10/2007 Chang D10/78
D625,210 S * 10/2010 Chen D10/78
D763,712 S * 8/2016 Recoura-Massaquant D10/75
D787,961 S * 5/2017 Umezawa D10/80

OTHER PUBLICATIONS

Surpluseq.wordpress.com, Jul. 2008, Online product page, retrieved Sep. 14, 2017 from <URL:https://surpluseq.wordpress.com/tag/otdr/> (Year: 2008).*
MultiVideomaker21, Yokogawa AQ1200 OTDR, Mar. 2013, YouTube.com, retrieved Sep. 14, 2017 from <URL:https://www.youtube.com/watch?v=dfqVxHaVxDo&feature=youtu.be>.*

* cited by examiner

Primary Examiner — Sheryl Lane
Assistant Examiner — Calvin E Vansant
(74) *Attorney, Agent, or Firm* — Anova Law Group, PLLC

(56) **References Cited**
U.S. PATENT DOCUMENTS
D383,400 S * 9/1997 Wada D10/65
D517,932 S * 3/2006 Lum D10/65

(57) **CLAIM**

The ornamental design for an optical time-domain reflectometer, as shown and described.

DESCRIPTION

FIG. 1 is a front view of an optical time-domain reflectometer showing my new design;
FIG. 2 is a rear view thereof;
FIG. 3 is a left view thereof;
FIG. 4 is a right view thereof;
FIG. 5 is a top view thereof;
FIG. 6 is a bottom view thereof;
FIG. 7 is a first perspective thereof;
FIG. 8 is a second perspective view thereof;
FIG. 9 is a third perspective view thereof; and,
FIG. 10 is a fourth perspective view thereof.

1 Claim, 4 Drawing Sheets



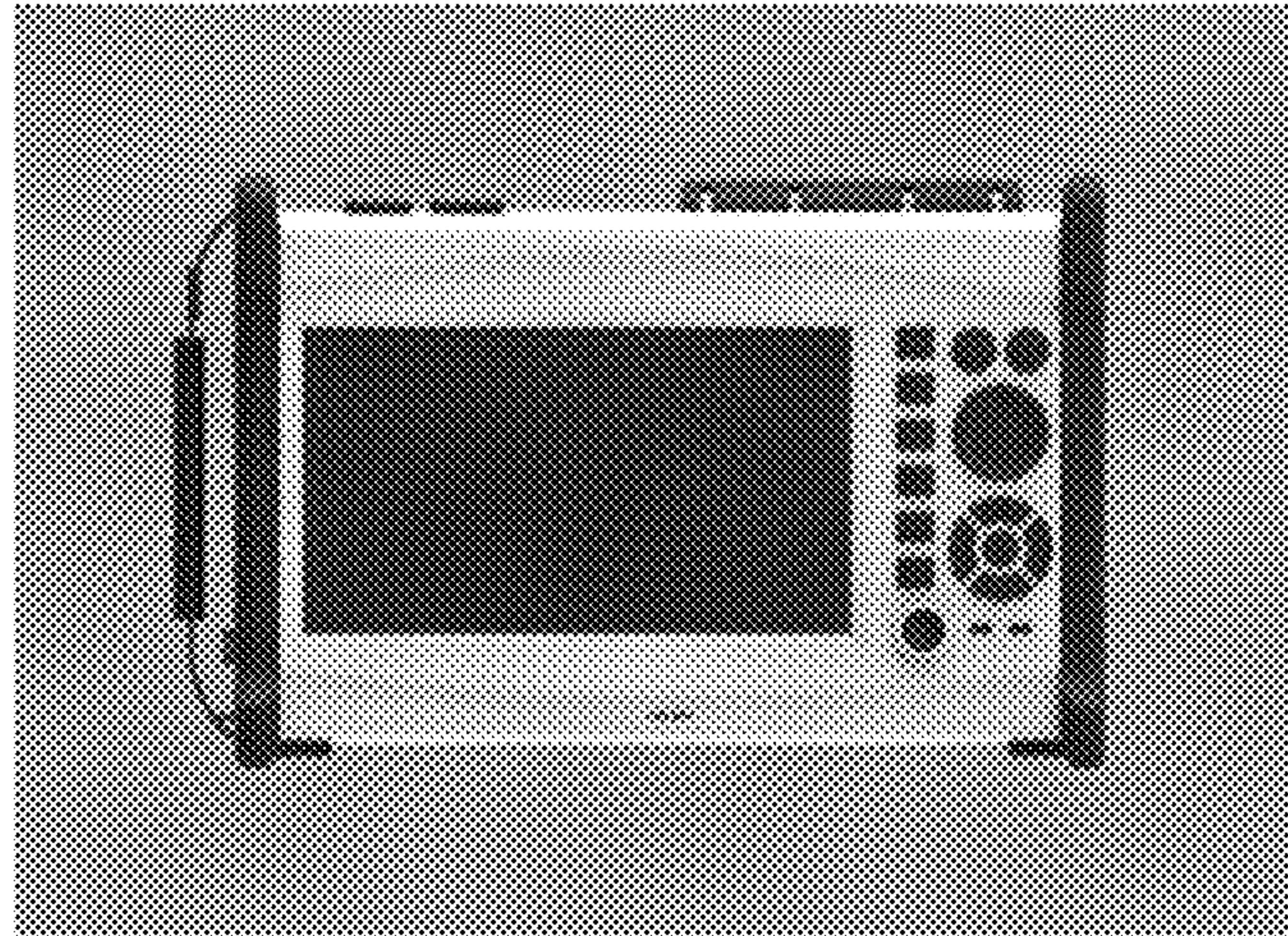


FIG. 1

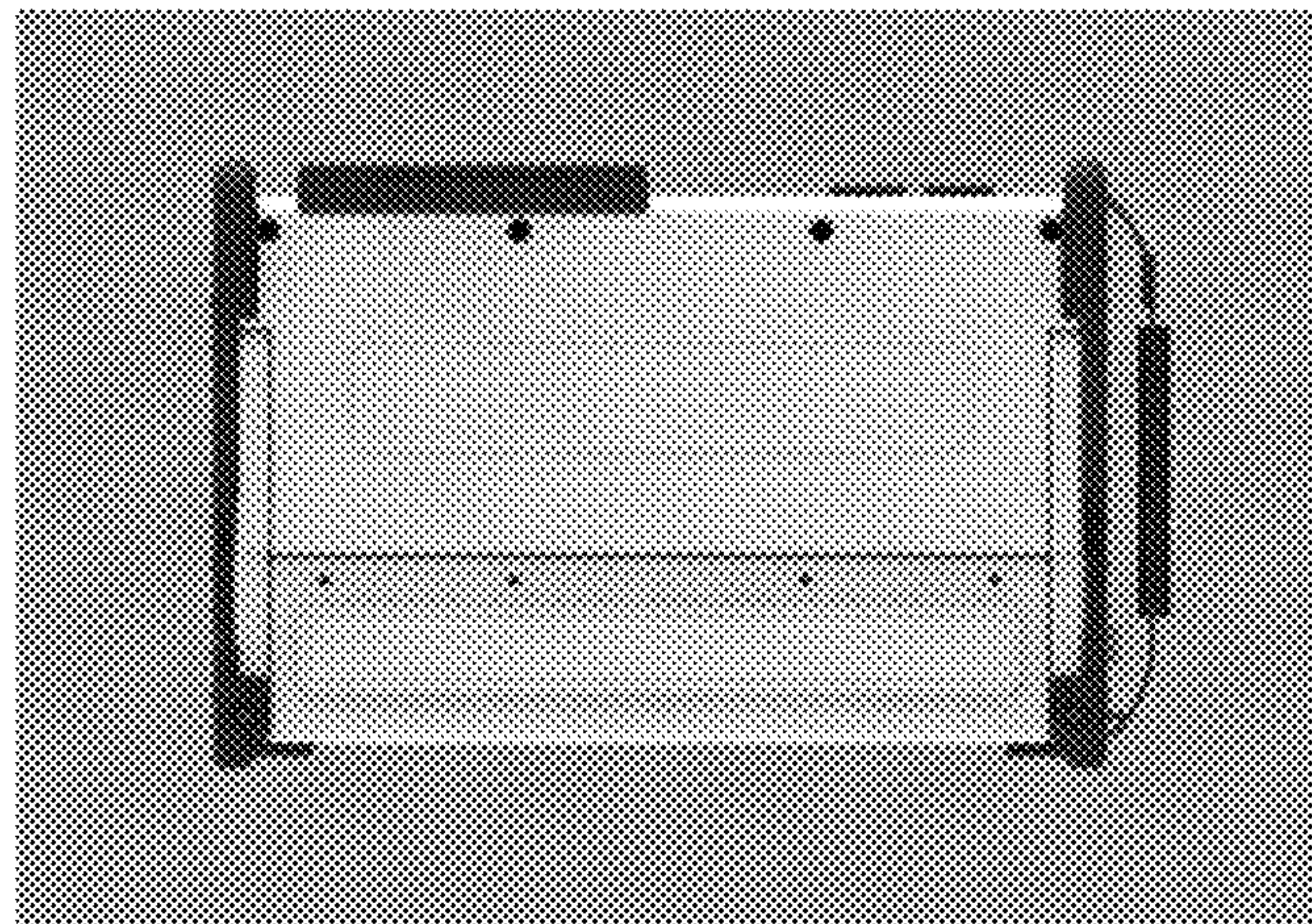


FIG. 2

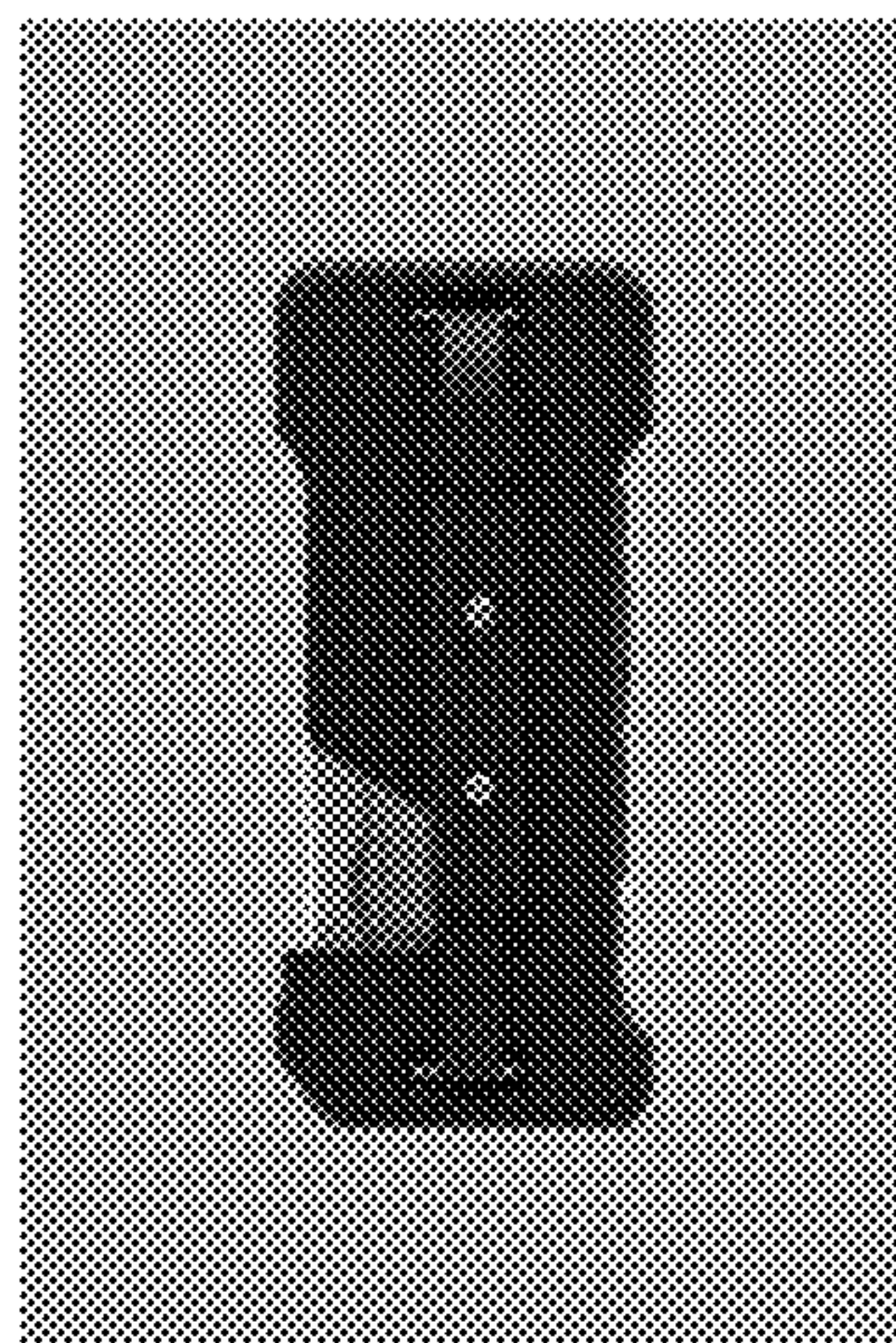


FIG. 3

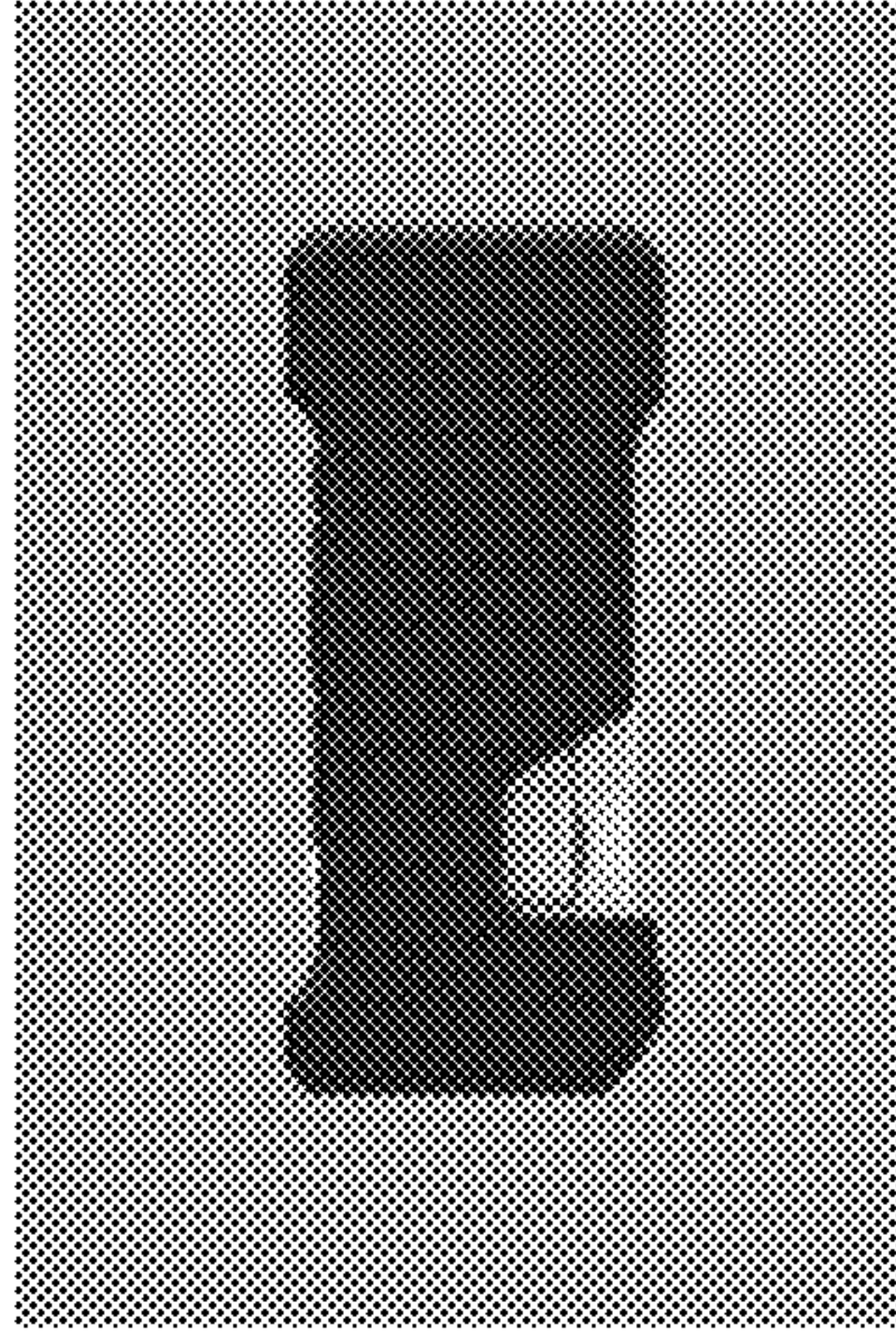


FIG. 4

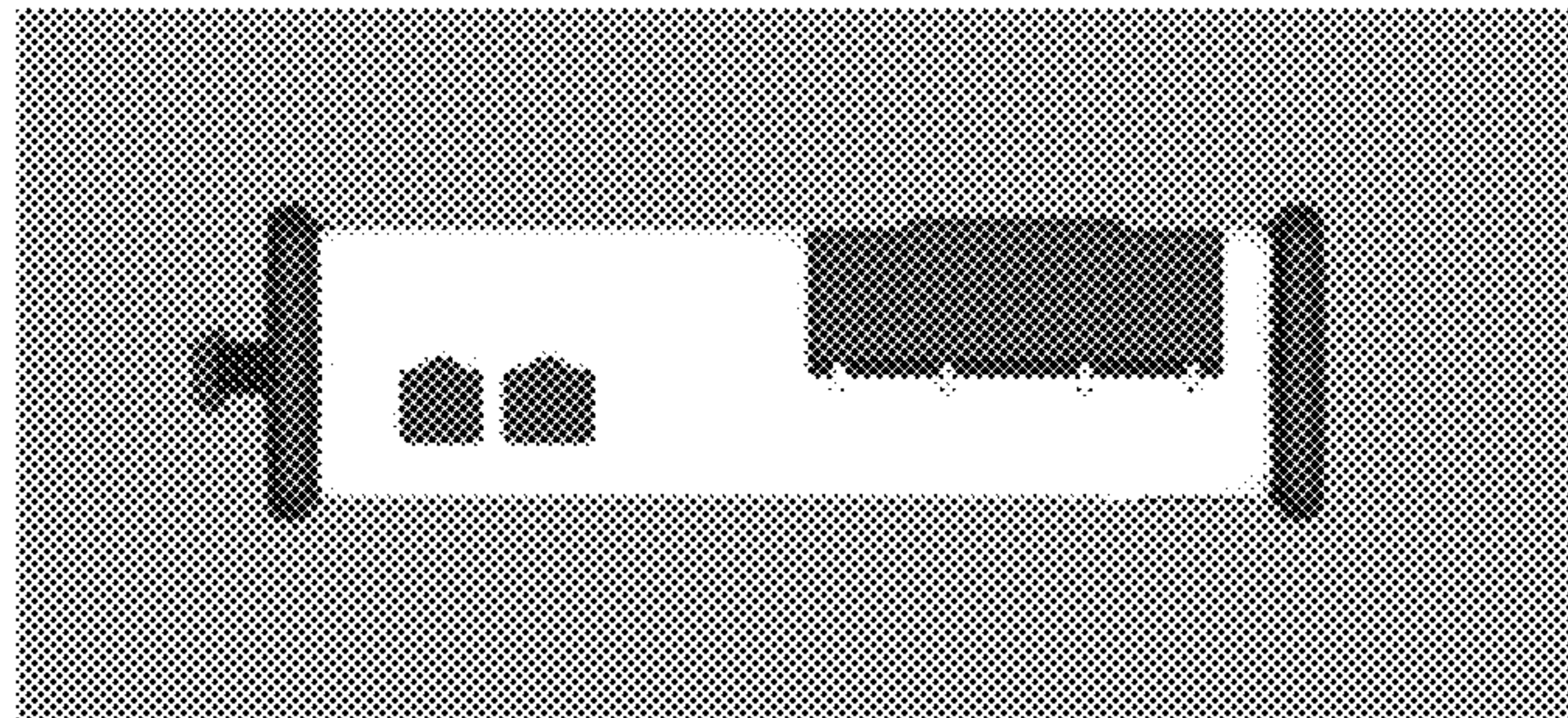


FIG. 5

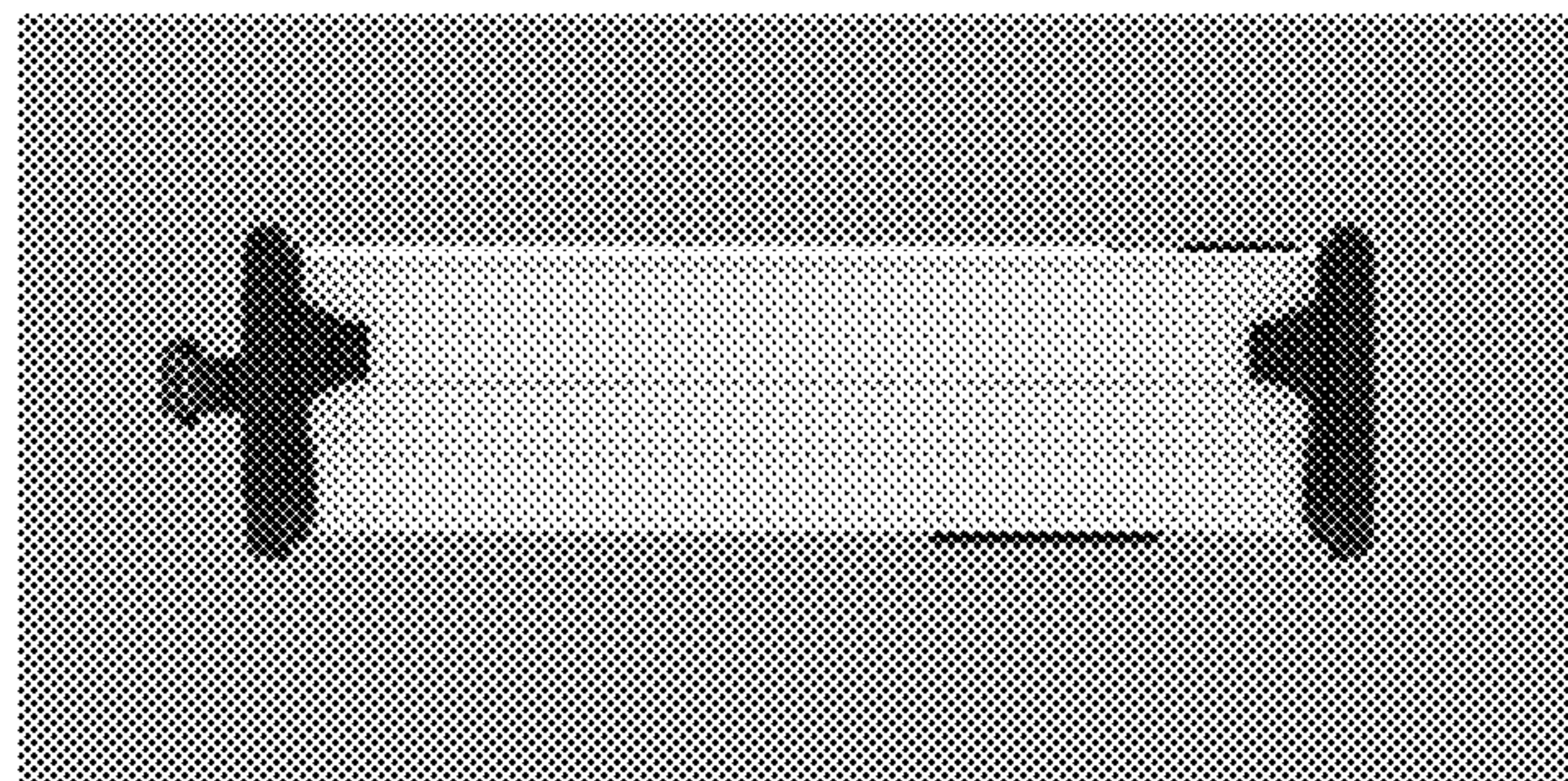


FIG. 6



FIG. 7



FIG. 8

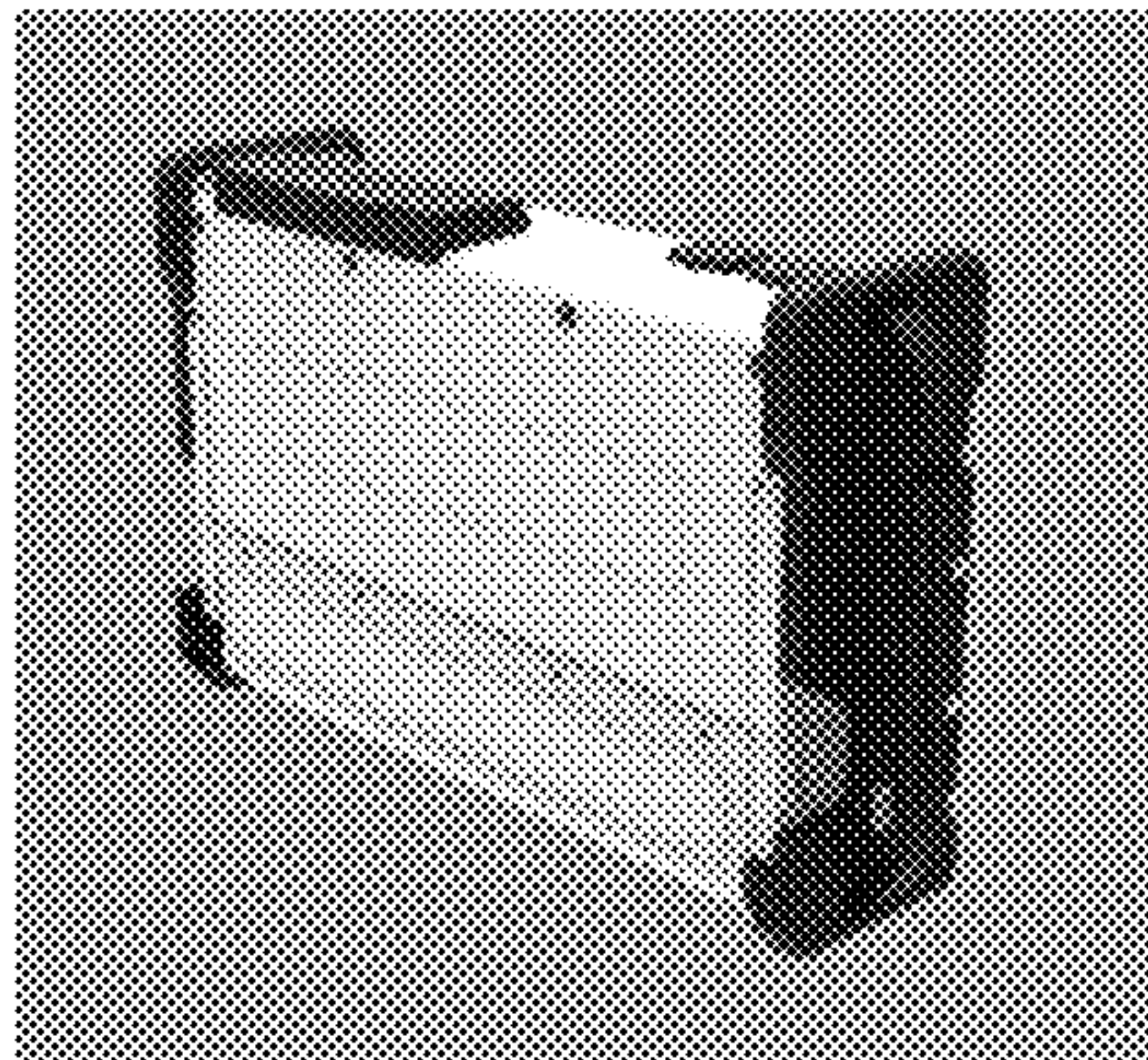


FIG. 9

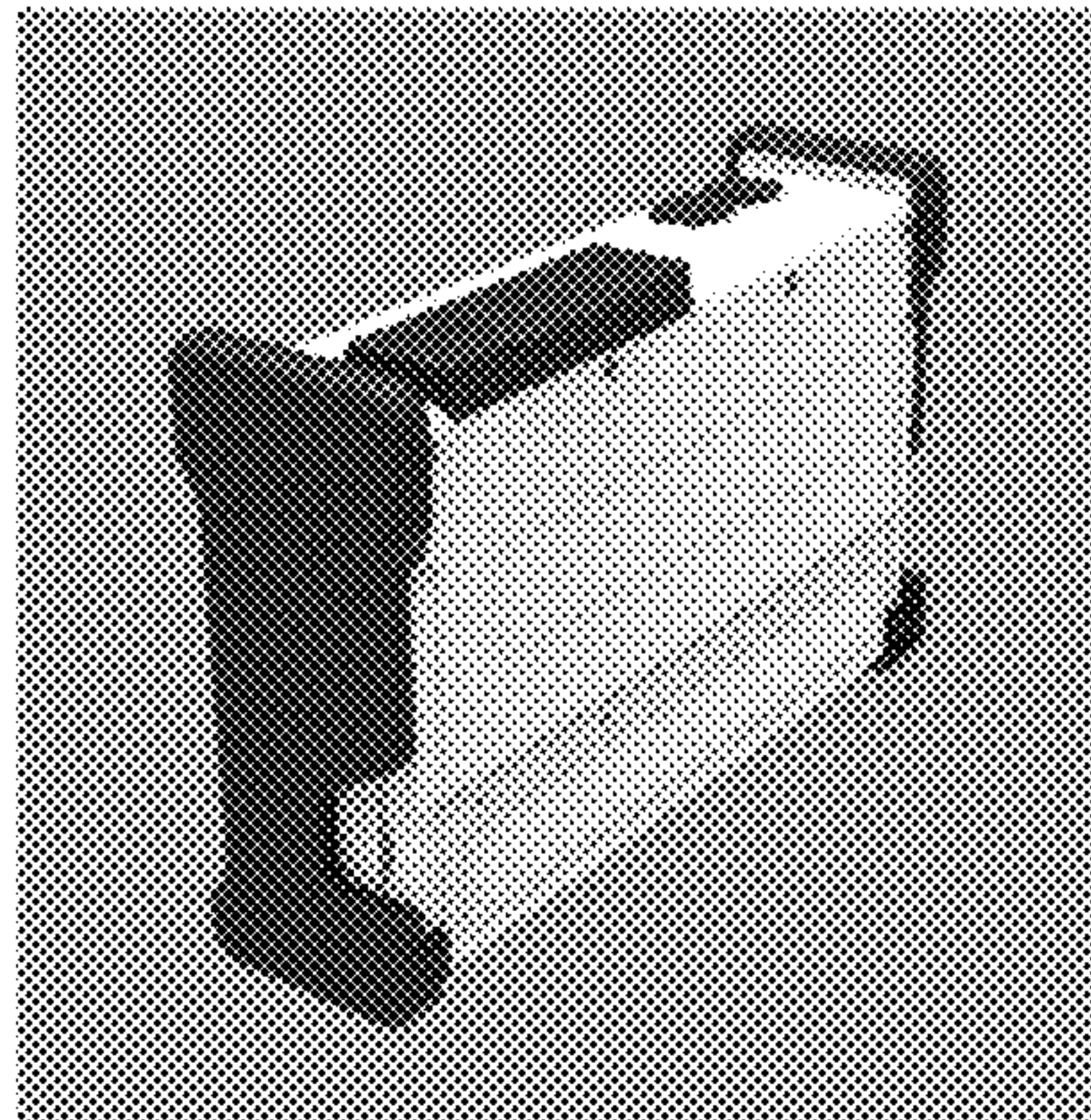


FIG. 10