



US00D804971S

(12) **United States Design Patent**  
**Heikkilä**

(10) **Patent No.:** **US D804,971 S**

(45) **Date of Patent:** **\*\* Dec. 12, 2017**

(54) **LOCATING AND TRACKING TOOL**

(71) Applicant: **HALTIAN PRODUCTS OY**, Oulu (FI)

(72) Inventor: **Mikael Heikkilä**, Oulu (FI)

(73) Assignee: **HALTIAN PRODUCTS OY**, Oulu (FI)

(\*\*) Term: **15 Years**

(21) Appl. No.: **29/575,367**

(22) Filed: **Aug. 24, 2016**

(30) **Foreign Application Priority Data**

Jul. 29, 2016 (EM) ..... 003323443-0001

(51) **LOC (10) Cl.** ..... **10-04**

(52) **U.S. Cl.**  
USPC ..... **D10/70; D10/65**

(58) **Field of Classification Search**

USPC ..... D10/65, 70

CPC ..... A41D 1/02; A44C 5/0015; A44C 5/02;  
A44C 5/14; A61B 19/44; A61B

2019/446; A61B 71/00; A61B 5/02416;

A61B 5/1118; A61B 2/721; A61B 5/002;

A61B 5/112; A61B 5/1122; A61B 5/746;

A61B 5/6823; A61B 5/72; A61B 5/7445;

A61B 5/0022; A61B 5/14532; A63B

71/06; A63B 26/00; A63B 24/0075; A63B

2071/0663; A63B 71/0686; A63B

24/0062; A63B 24/0084; A63B

2024/0068; A63B 2024/0078; A63B

2024/0056; A63B 2071/0625; A63B

2071/003; A63B 2071/063; A63B

2071/065; A63B 2071/068; A63B

2071/0675; A63B 2220/40; A63B

2220/803; A63B 2220/12; A63B 2220/20;

A63B 2220/22; A63B 2220/30; A63B

2225/50; A63B 2225/02; A63B 2225/06;

A63B 2230/75; A63B 2024/0065; A63B

2024/0081; A63B 2220/51; A63B  
2220/62; A63B 2220/836; G09F 3/005;  
G06F 1/163; G06F 3/038; G06F 3/03547;  
G04G 17/00; G04G 17/08; G04G 17/04;  
G04G 21/02; G04G 21/00; G04G 21/08;  
G06Q 10/00; G06Q 50/00; G09B 9/00;  
G09B 19/00; A61L 35/02416; G04F  
10/00; G04B 37/1486

See application file for complete search history.

(56) **References Cited**

U.S. PATENT DOCUMENTS

D692,784	S	*	11/2013	Anderssen	.....	D10/70
D693,248	S	*	11/2013	Anderssen	.....	D10/65
D693,249	S	*	11/2013	Anderssen	.....	D10/65
D693,250	S	*	11/2013	Anderssen	.....	D10/65
D723,957	S	*	3/2015	Evans	.....	D10/70
D737,707	S	*	9/2015	Jung	.....	D10/70
D737,708	S	*	9/2015	Jung	.....	D10/70
9,134,768	B2	*	9/2015	Yoon	.....	G06F 1/1626
9,183,719	B2	*	11/2015	Gouge	.....	A61B 5/01

(Continued)

*Primary Examiner* — Antoine Duval Davis

(74) *Attorney, Agent, or Firm* — Nixon & Vanderhye PC

(57) **CLAIM**

The ornamental design for a locating and tracking tool, as shown and described.

**DESCRIPTION**

FIG. 1 is a front perspective view of the locating and tracking tool of my new design;

FIG. 2 is a rear perspective view thereof,

FIG. 3 is a front elevation view thereof;

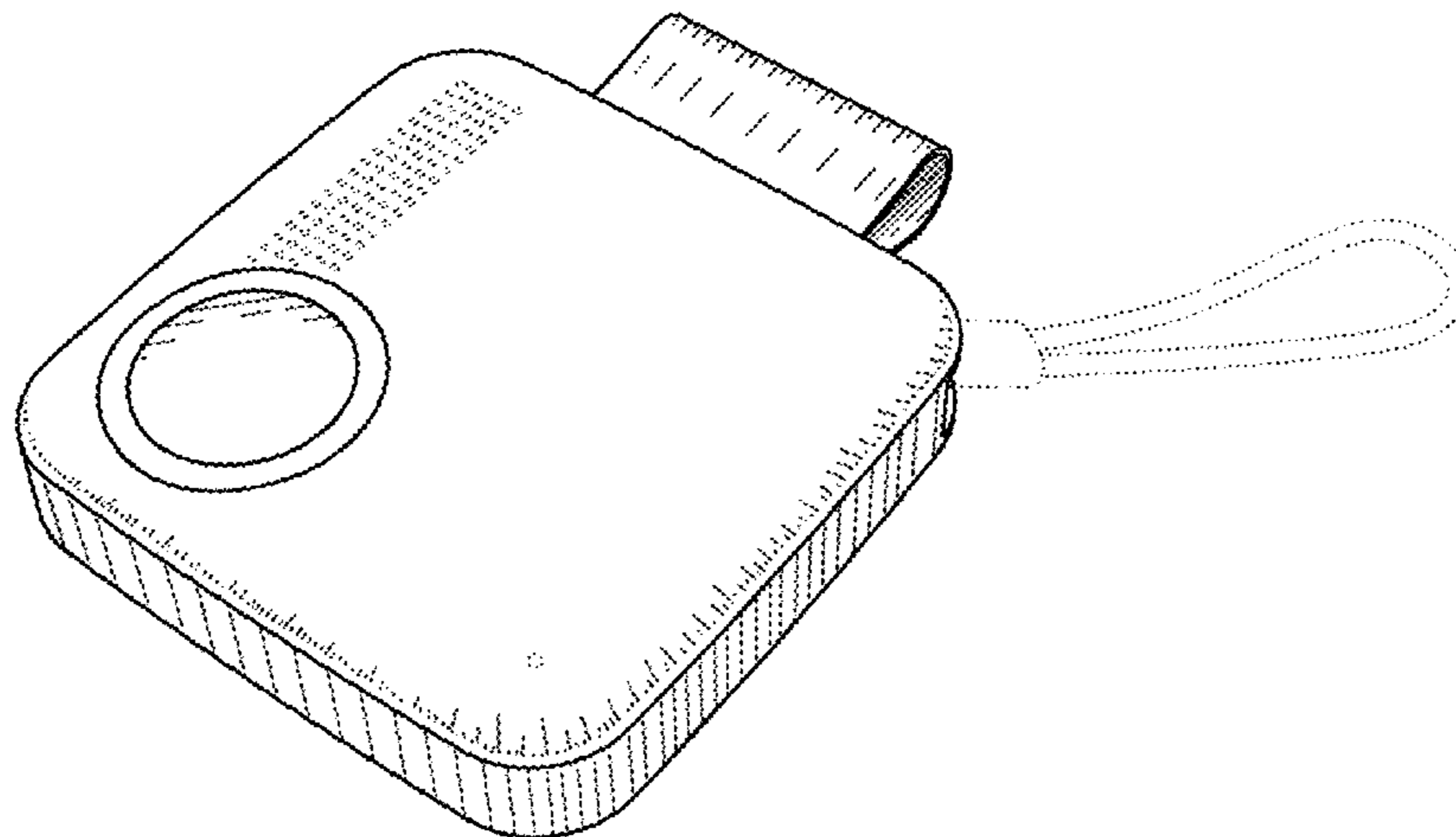
FIG. 4 is a rear elevation view thereof,

FIG. 5 is a left side view thereof; and,

FIG. 6 is a right side view thereof.

The dotted lines show environmental structure and form no part of the claimed design.

**1 Claim, 5 Drawing Sheets**



(56)

**References Cited**

U.S. PATENT DOCUMENTS

D744,882 S	*	12/2015	Jung	.....	D10/70
D748,507 S	*	2/2016	Evans	.....	D10/70
D778,185 S	*	2/2017	Ookawa	.....	D10/70
D778,746 S	*	2/2017	Renganathan	.....	D10/70
D782,926 S	*	4/2017	Hojo	.....	D10/65
D790,996 S	*	7/2017	Farley	.....	D10/70

\* cited by examiner

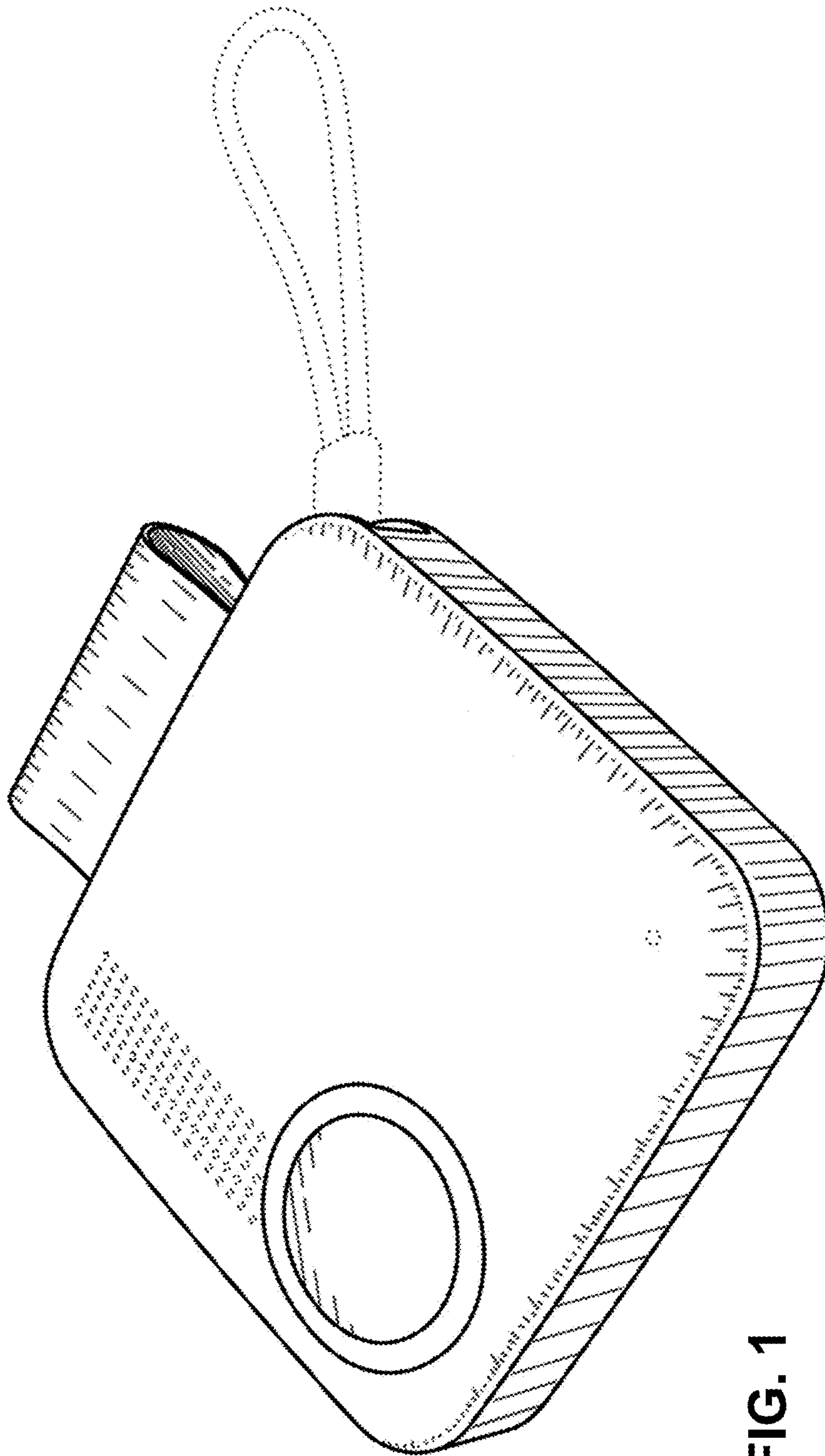


FIG. 1

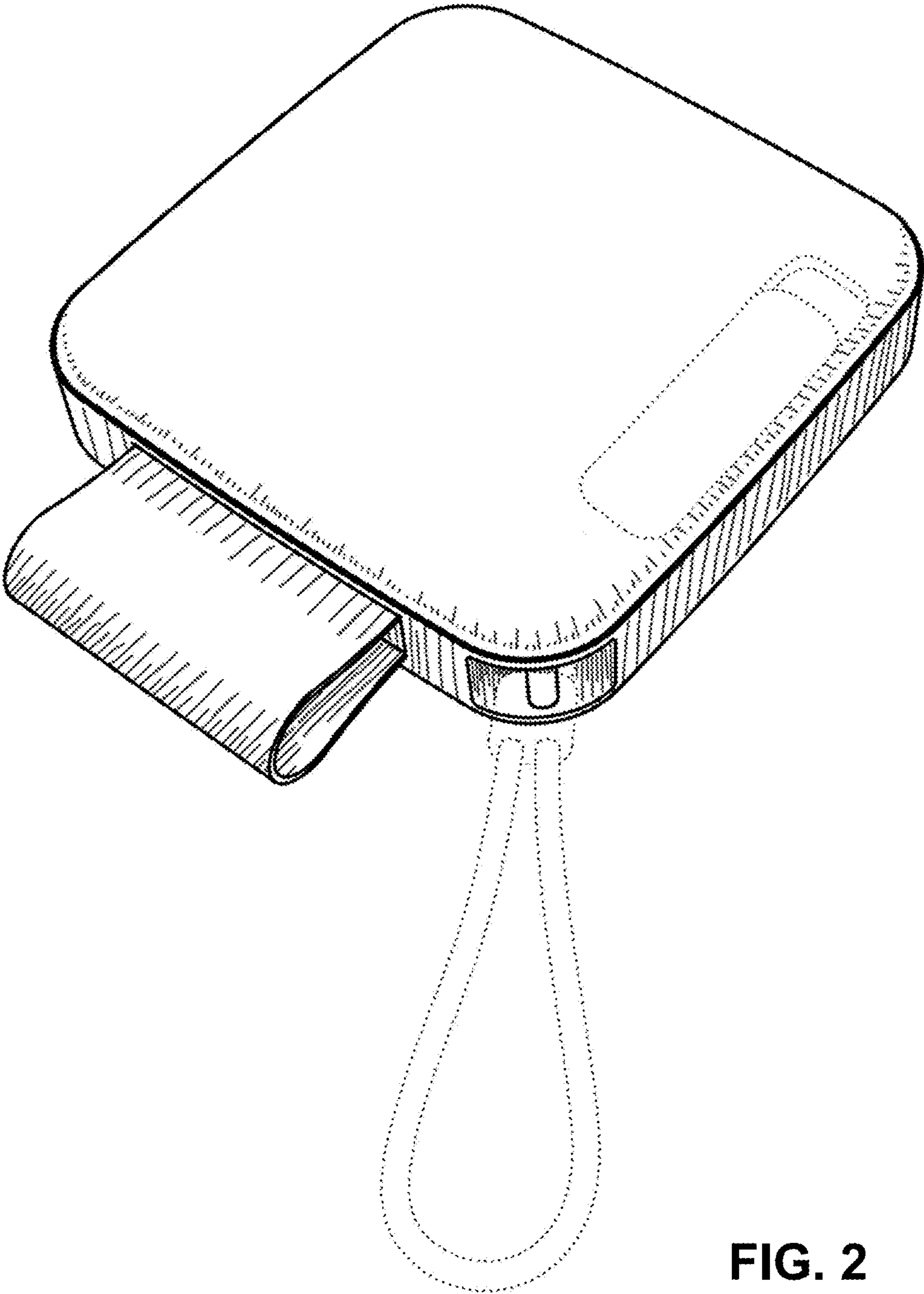


FIG. 2



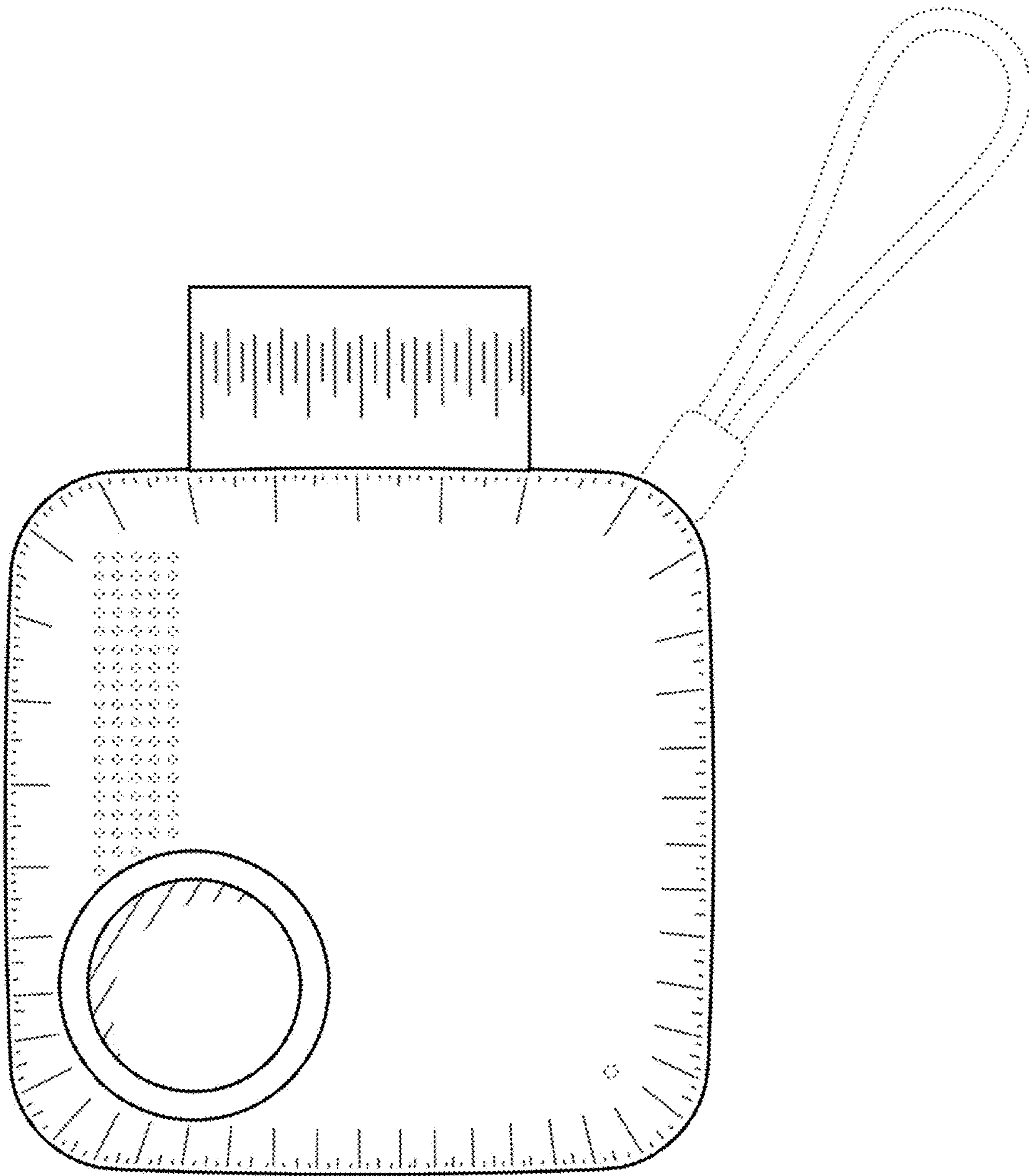


FIG. 3

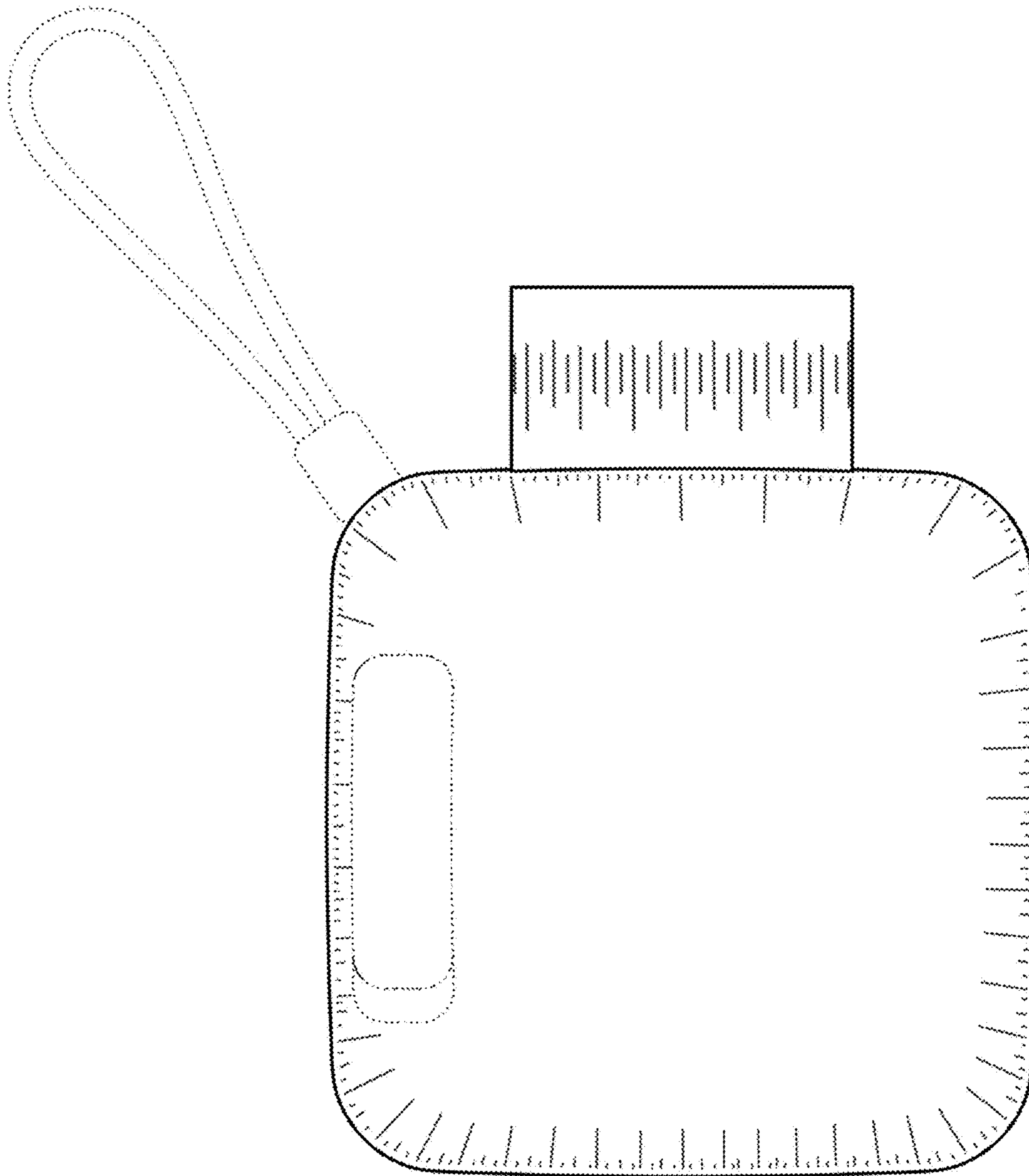


FIG. 4

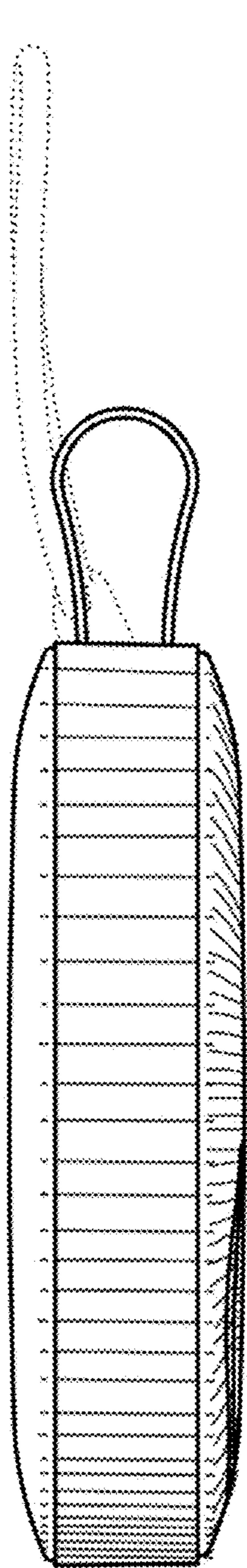


FIG. 5

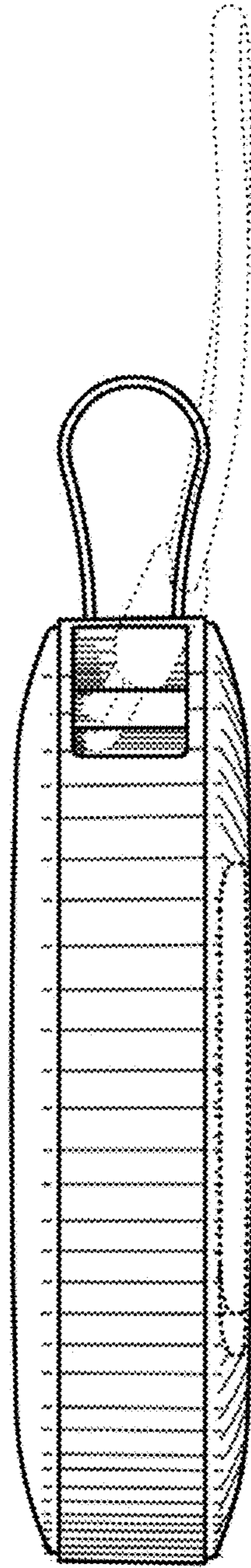


FIG. 6