



US00D804968S

(12) **United States Design Patent** (10) **Patent No.:** **US D804,968 S**
Rabassa et al. (45) **Date of Patent:** **** Dec. 12, 2017**

- (54) **WATCH CASE**
- (71) Applicant: **Cartier International AG**, Steinhausen (CH)
- (72) Inventors: **Serge Rabassa**, Vessy (CH); **Sophie Boulangeot**, Geneva (CH)
- (73) Assignee: **Cartier International AG**, Steinhausen (CH)

- D434,679 S * 12/2000 Dumas D10/30
- D533,088 S * 12/2006 Bedat D10/39
- D576,890 S * 9/2008 El Kadiri D10/30
- D586,241 S * 2/2009 El Kadiri D10/38
- D587,140 S * 2/2009 Kauffmann D10/38
- D624,834 S * 10/2010 Modolo D10/39
- D656,044 S * 3/2012 Favre D10/38
- D681,481 S * 5/2013 Hegi D10/38
- D697,435 S * 1/2014 Dupont D10/39
- D709,389 S * 7/2014 Monachon D10/39

(Continued)

- (**) Term: **15 Years**
- (21) Appl. No.: **29/567,481**
- (22) Filed: **Jun. 9, 2016**

FOREIGN PATENT DOCUMENTS

EP 2595008 A1 * 5/2013 G04B 39/02

OTHER PUBLICATIONS

Hodinkee, Introducing the Cartier Drive, A New Men's Watch, posted Jan. 19, 2016, [online], [site visited on Apr. 26, 2017]. Available from Internet, <URL: <https://www.hodinkee.com/articles/the-cartier-drive-a-new-mens-watch-with-an-eye-to-the-past>>.*

- (30) **Foreign Application Priority Data**
Dec. 9, 2015 (WO) DM/088719
- (51) **LOC (10) Cl.** **10-02**
- (52) **U.S. Cl.**
USPC **D10/38**
- (58) **Field of Classification Search**
USPC D10/1-29, 30-39, 122-132; D14/341, D14/344, 138 R, 144, 314, 358; D11/1, D11/2, 3, 4, 98; D2/623
CPC .. G04B 17/08; G04B 17/063; G04B 37/0008; G04B 37/081; G04B 37/082; G04B 37/0058; G04B 37/0066; G04B 37/12; G04B 37/18; G04B 37/22; G04B 19/00; G04B 19/04; G04B 19/06; G04B 19/065; G04B 19/10; G04B 19/12; G04B 19/166; G04B 19/23; G04B 19/235; G04B 19/24; G04B 19/26; G04B 19/268; G04B 45/0069; G04B 45/0076
See application file for complete search history.

Primary Examiner — Sheryl Lane
Assistant Examiner — Samantha N Wood
(74) *Attorney, Agent, or Firm* — Taft Stettinius & Hollister LLP

(57) **CLAIM**

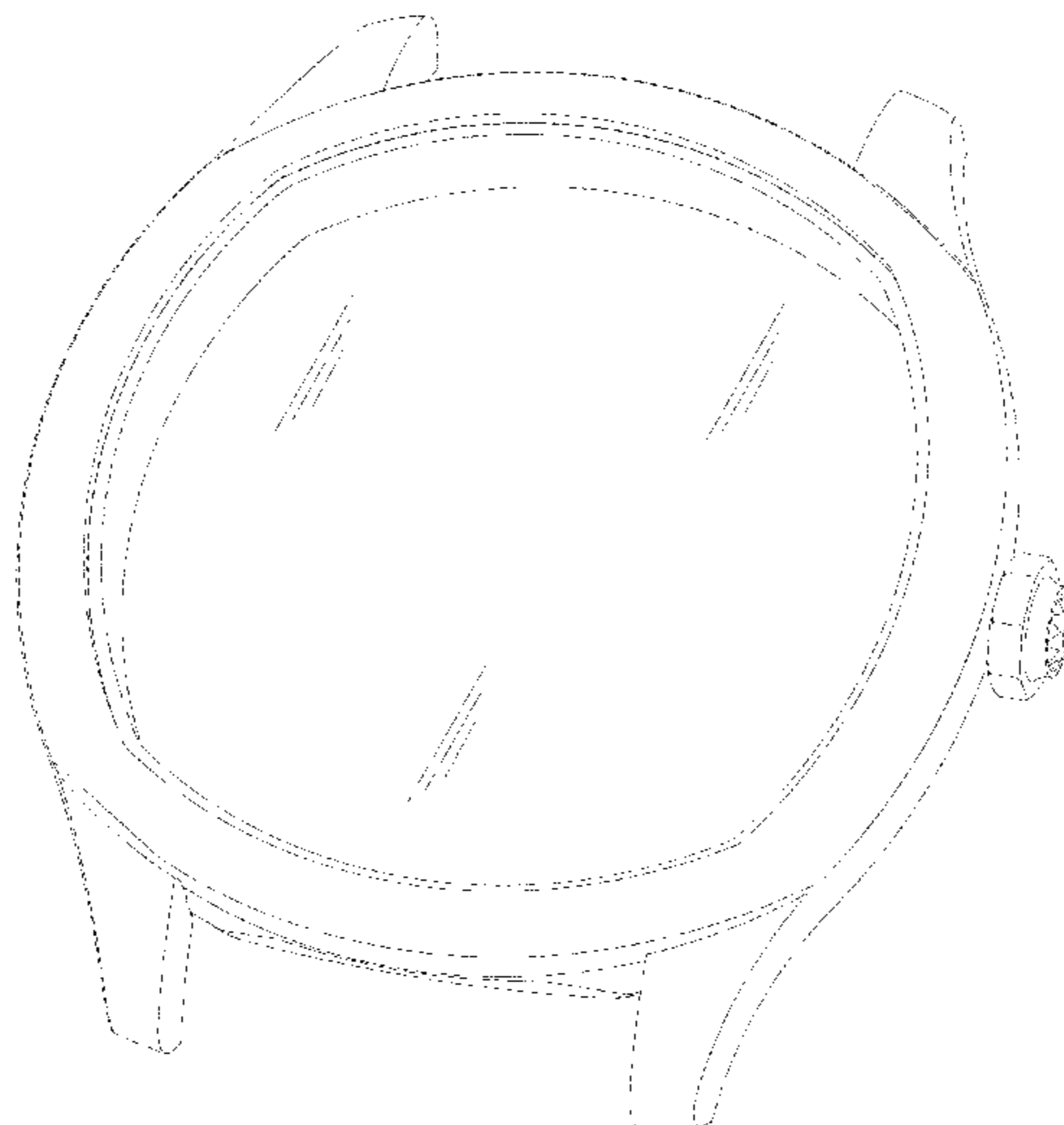
The ornamental design for a watch case, as shown and described.

DESCRIPTION

FIG. 1 is a front elevational view of a watch case showing our new design;
FIG. 2 is a rear elevational view thereof;
FIG. 3 is a right side elevational view thereof;
FIG. 4 is a left side elevational view thereof;
FIG. 5 is a bottom plan view thereof;
FIG. 6 is a top plan view thereof;
FIG. 7 is a front, right perspective view thereof; and,
FIG. 8 is a rear, left perspective view thereof.

1 Claim, 8 Drawing Sheets

- (56) **References Cited**
U.S. PATENT DOCUMENTS
D367,616 S * 3/1996 Dobashi D10/30
D386,423 S * 11/1997 Sang D10/30



(56)

References Cited

U.S. PATENT DOCUMENTS

D720,240 S * 12/2014 Takahashi D10/39
D764,318 S * 8/2016 Kauffmann D10/30

* cited by examiner

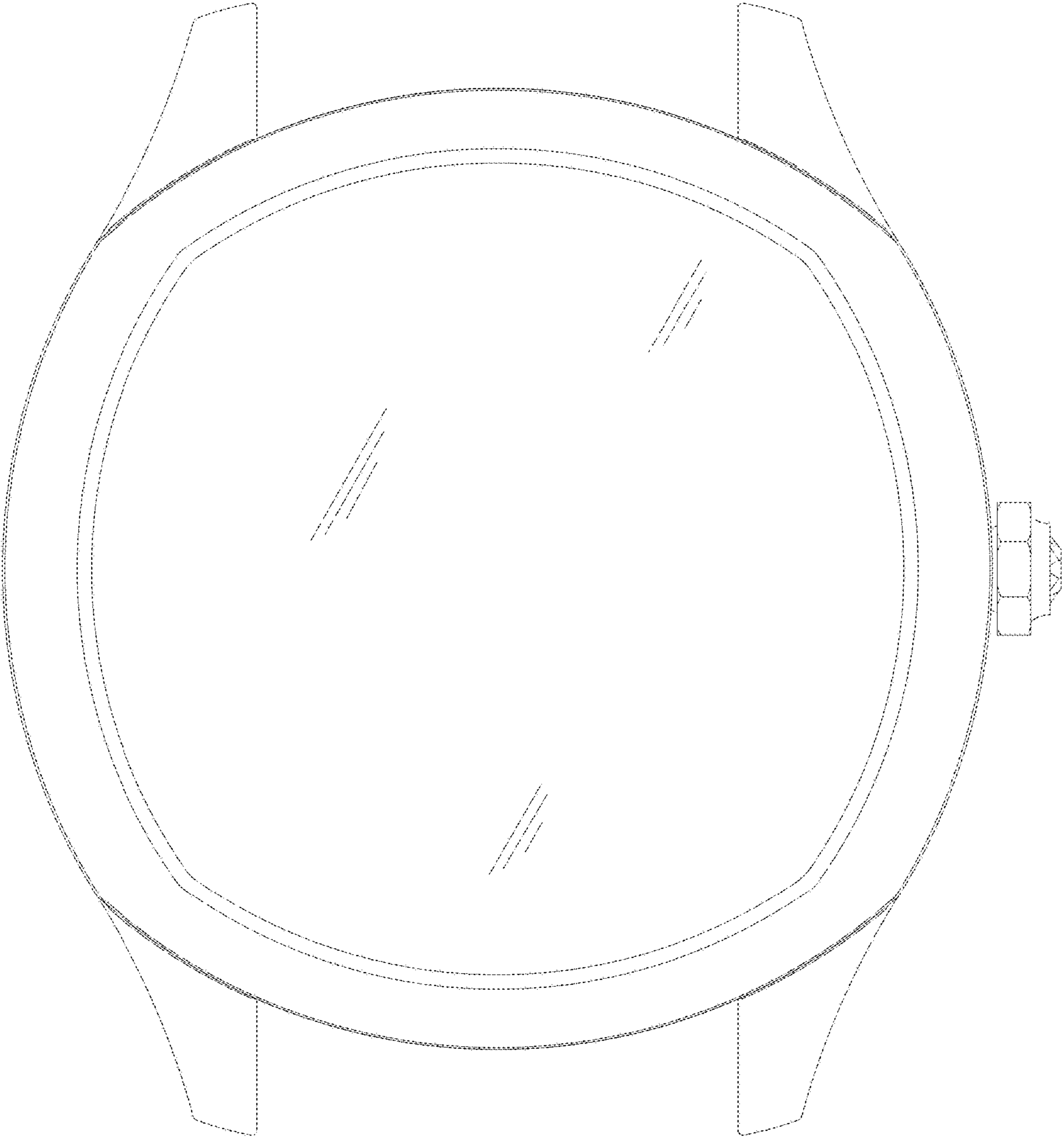


Fig. 1

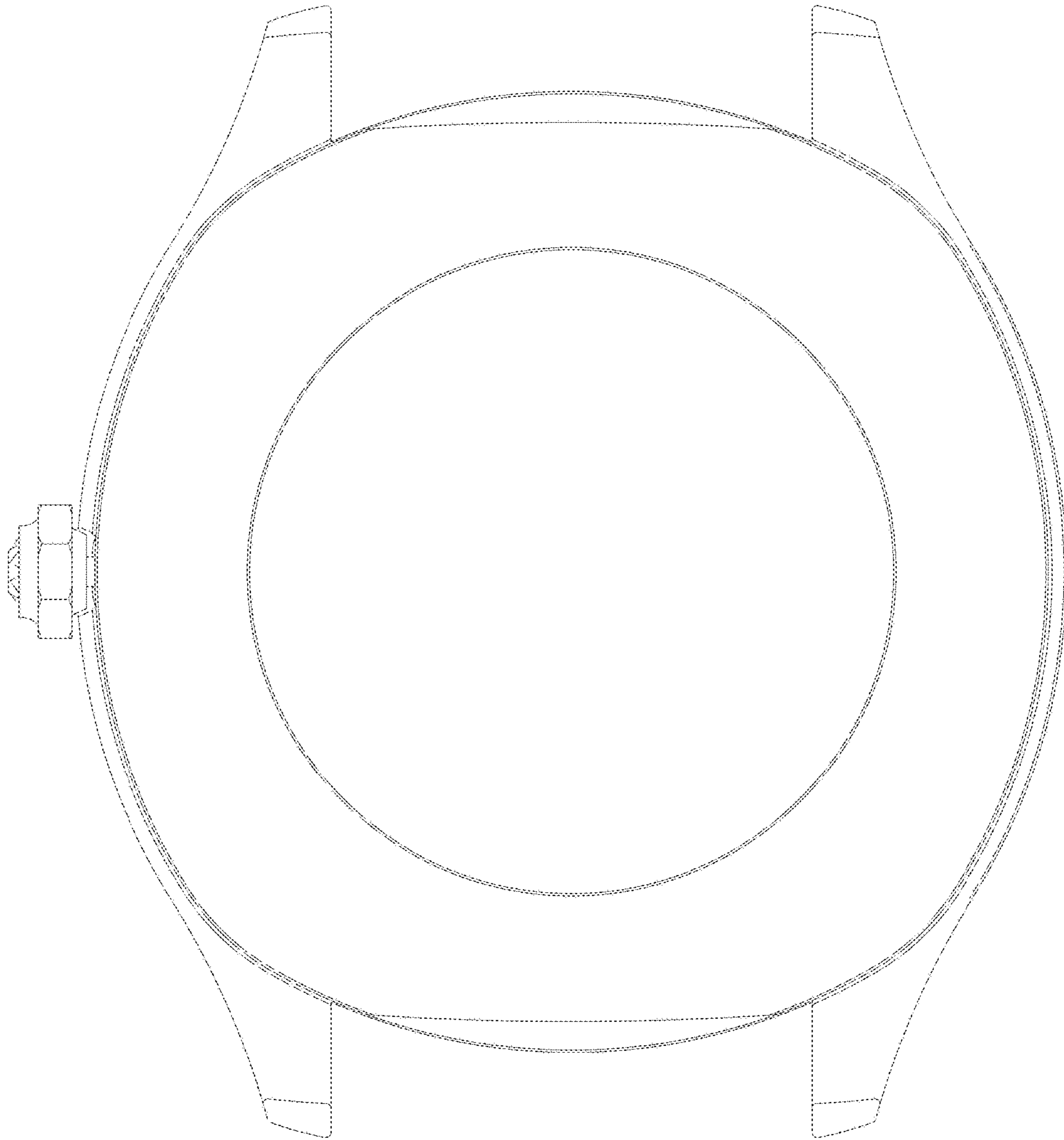


Fig. 2

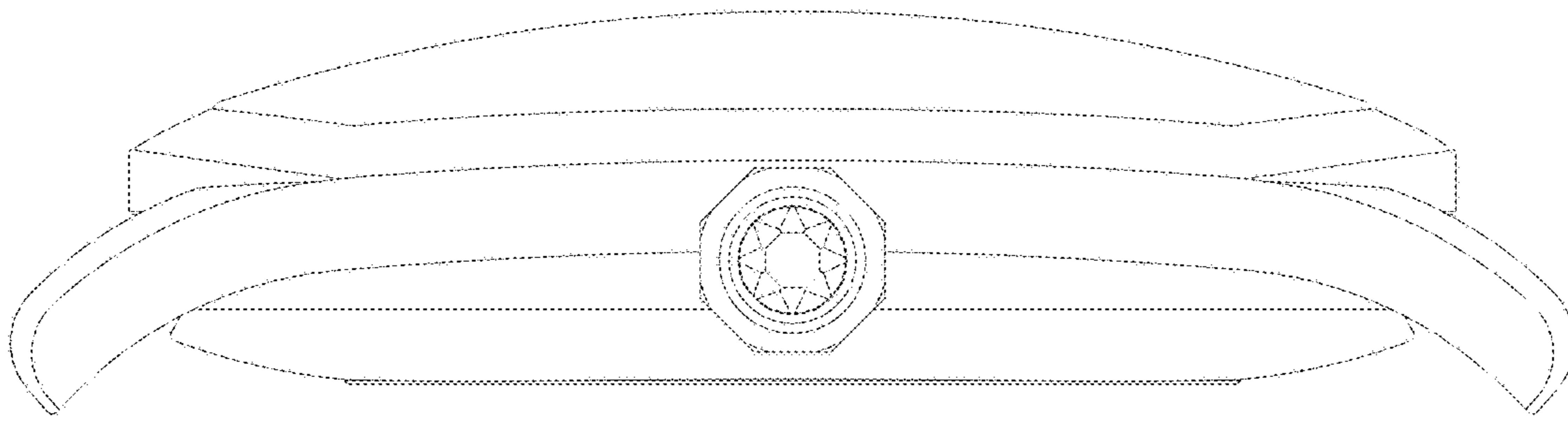


Fig. 3

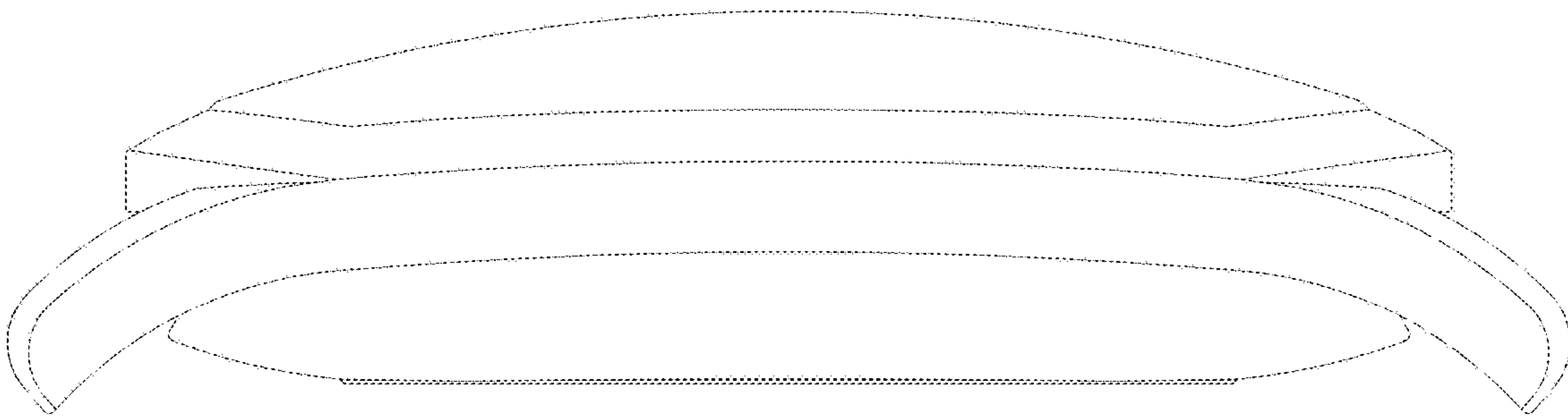


Fig. 4

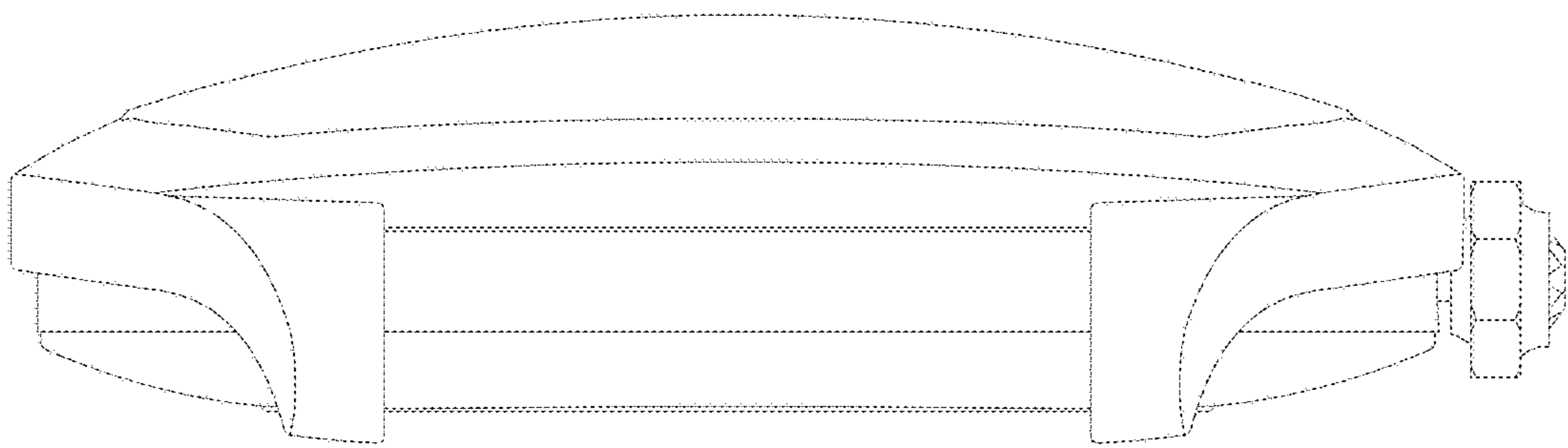


Fig. 5

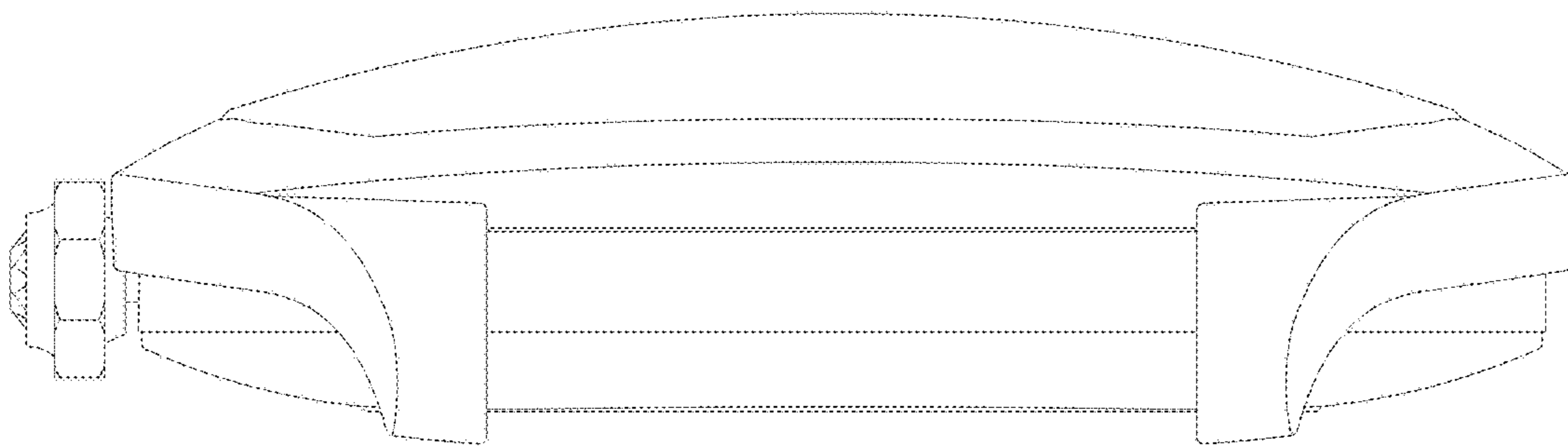


Fig. 6

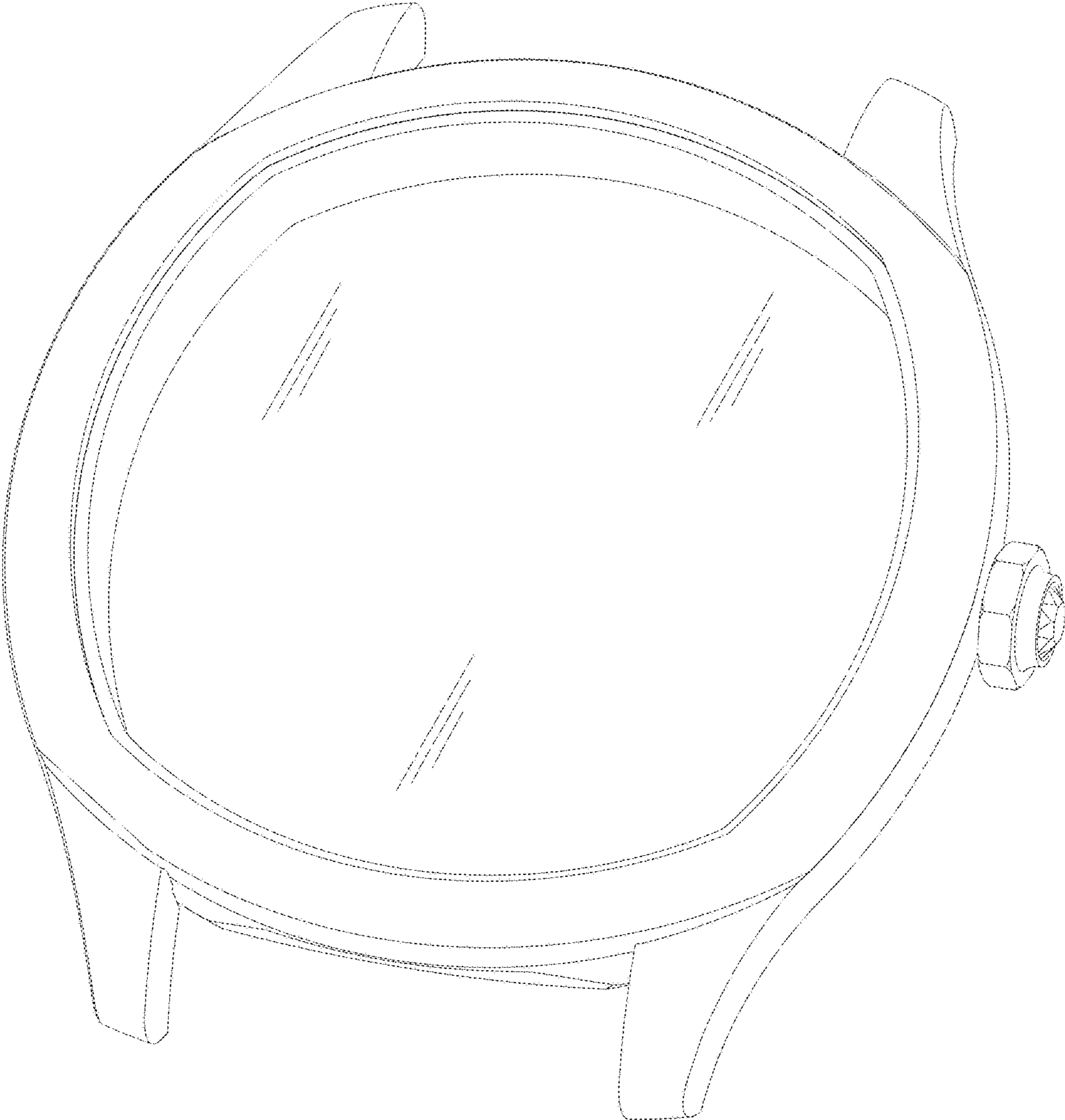


Fig. 7

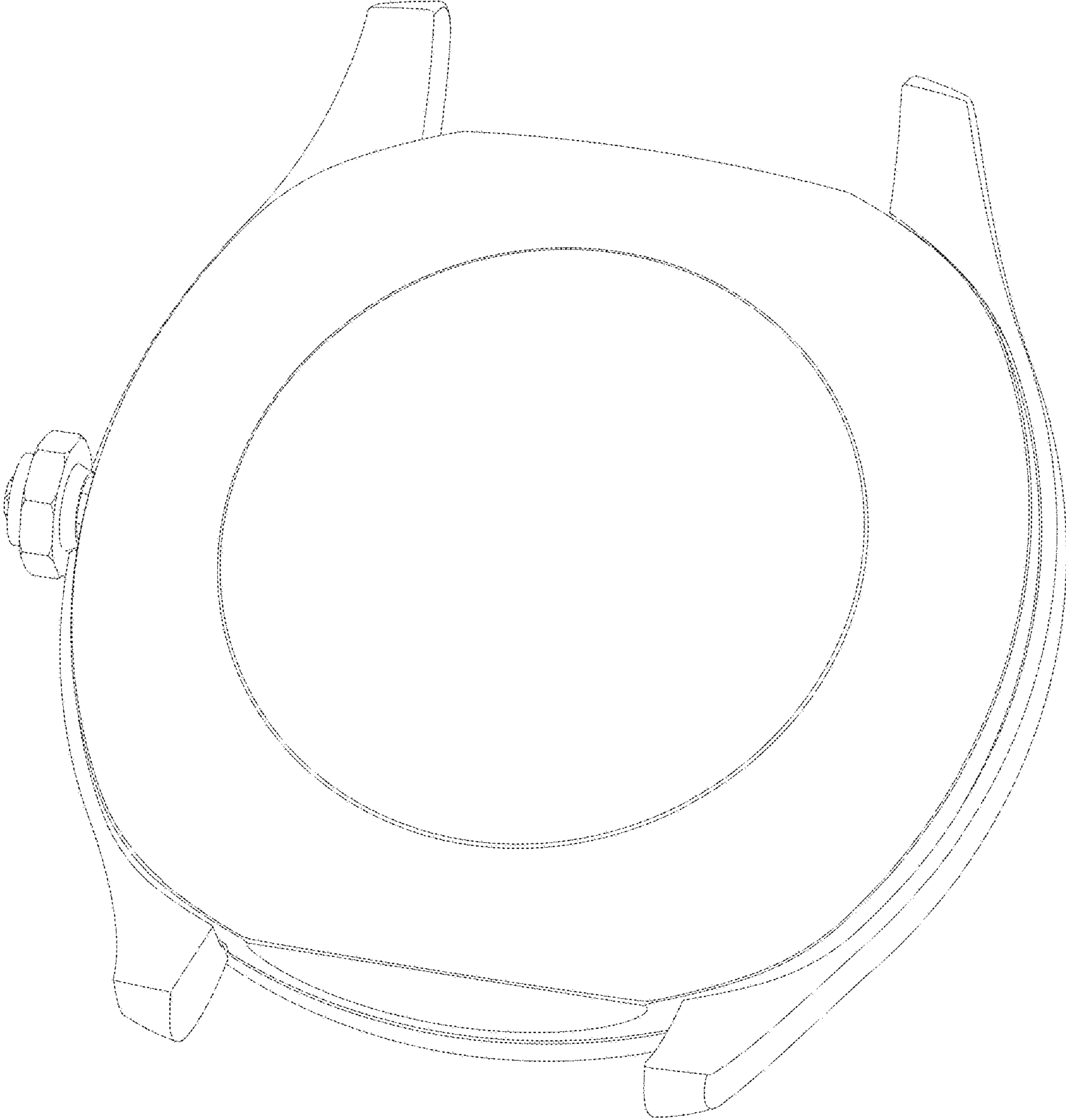


Fig. 8