



US00D804967S

(12) **United States Design Patent**
Galli

(10) **Patent No.:** **US D804,967 S**

(45) **Date of Patent:** **** Dec. 12, 2017**

(54) **WATCH**

CPC G04B 19/00; G04B 29/00
See application file for complete search history.

(71) Applicant: **SALVATORE FERRAGAMO S.P.A.**,
Florence (IT)

(56) **References Cited**

(72) Inventor: **Giorgio Galli**, Milan (IT)

U.S. PATENT DOCUMENTS

(73) Assignee: **SALVATORE FERRAGAMO S.P.A.**,
Florence (IT)

D508,860	S	*	8/2005	Plan	D10/39
D702,567	S	*	4/2014	Monachon	D10/32
D756,244	S	*	5/2016	Bastian	D10/132
D759,513	S	*	6/2016	Belamich	D10/126
D767,417	S	*	9/2016	Laucella	D10/39

(**) Term: **15 Years**

* cited by examiner

(21) Appl. No.: **35/501,239**

Primary Examiner — George D. Kirschbaum

(22) Filed: **Jan. 20, 2016**

(74) *Attorney, Agent, or Firm* — Lucas & Mercanti, LLP

(80) **Hague Agreement Data**

Int. Filing Date: **Jan. 20, 2016**

Int. Reg. No.: **DM/089865**

Int. Reg. Date: **Jan. 20, 2016**

Int. Reg. Pub. Date: **Jul. 22, 2016**

(57) **CLAIM**

The ornamental design for a watch, as shown and described.

(51) **LOC (10) Cl.** **10-02**

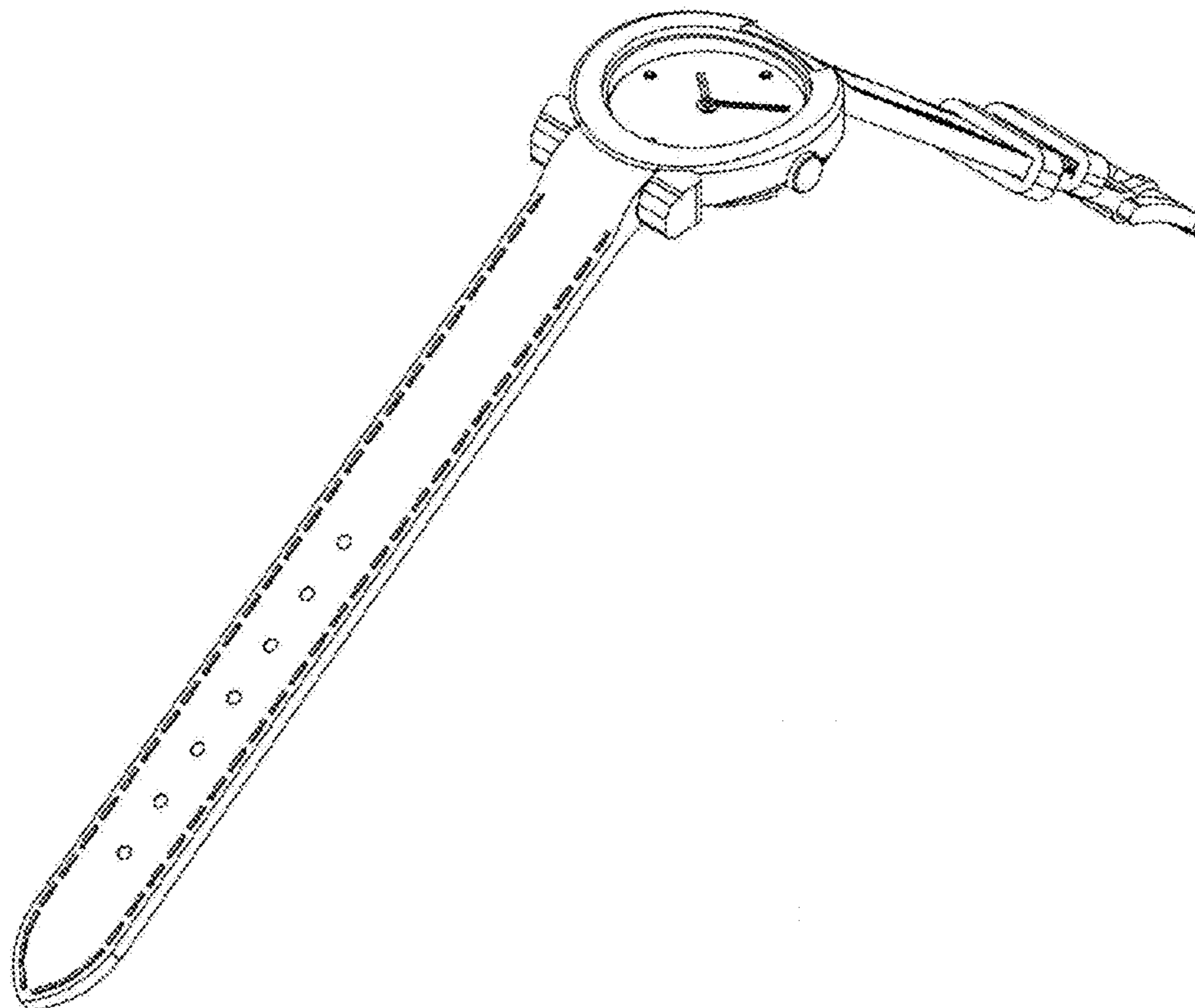
(52) **U.S. Cl.**
USPC **D10/32**

(58) **Field of Classification Search**
USPC D10/32, 39, 132, 126

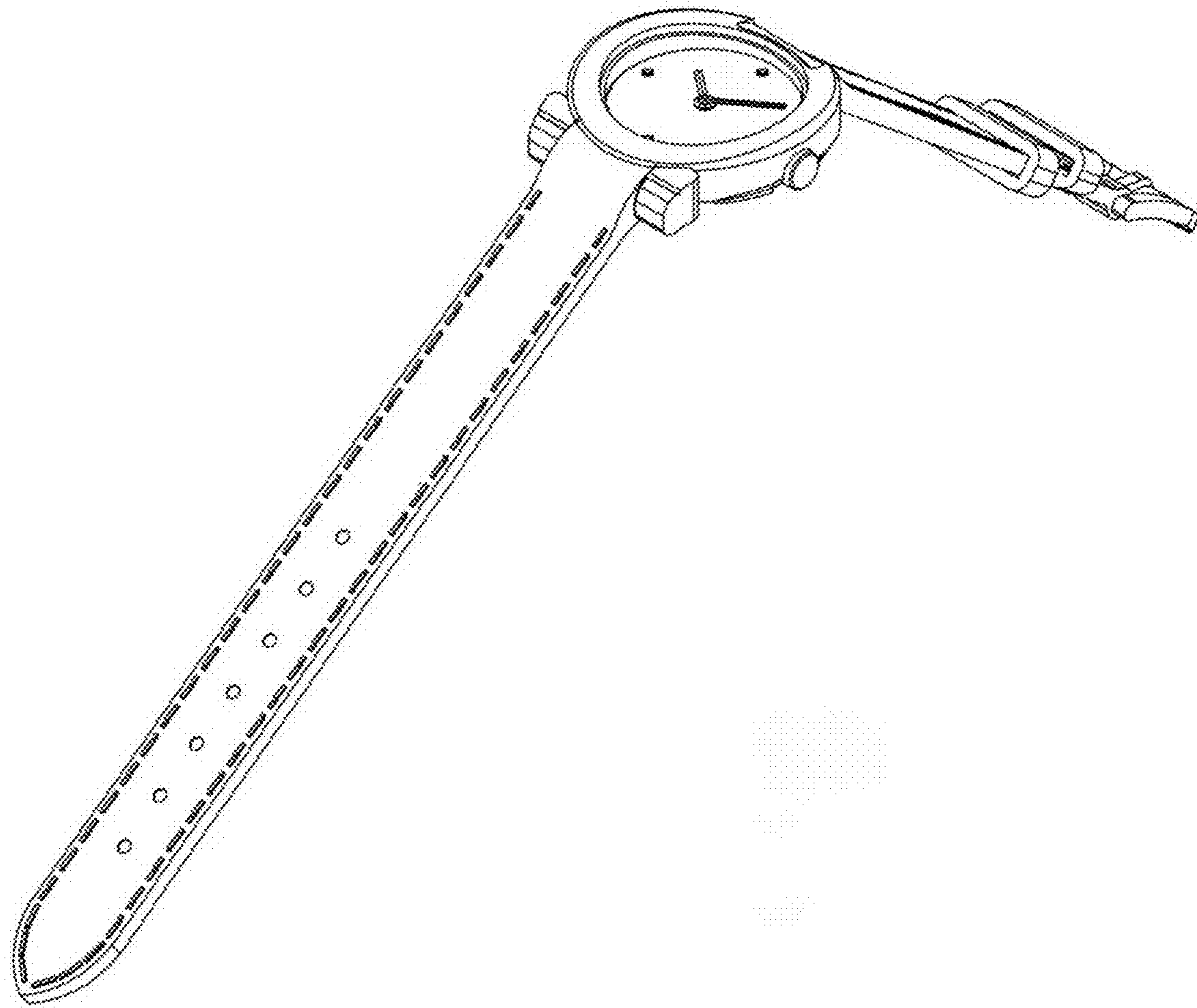
DESCRIPTION

- 1. Watch
- 1.1: Perspective
- 1.2: Top
- 1.3: Bottom
- 1.4: Right
- 1.5: Left
- 1.6: Back
- 1.7: Front

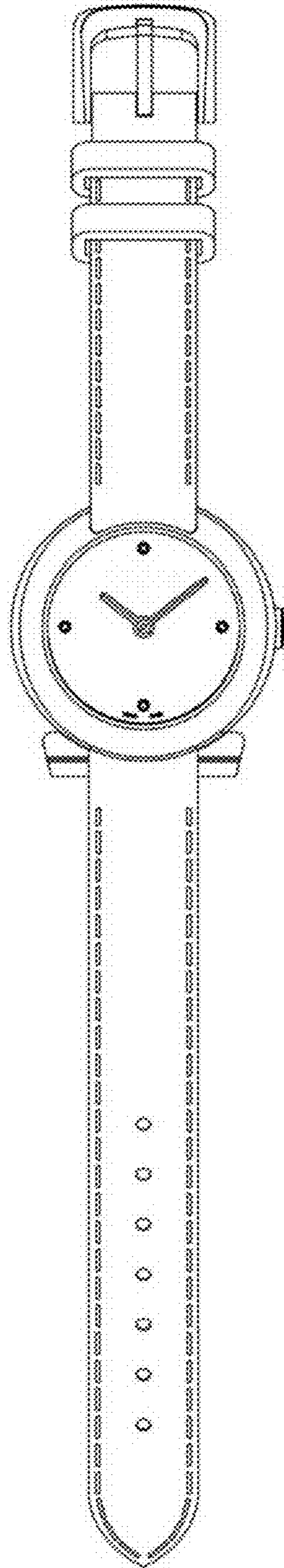
1 Claim, 7 Drawing Sheets



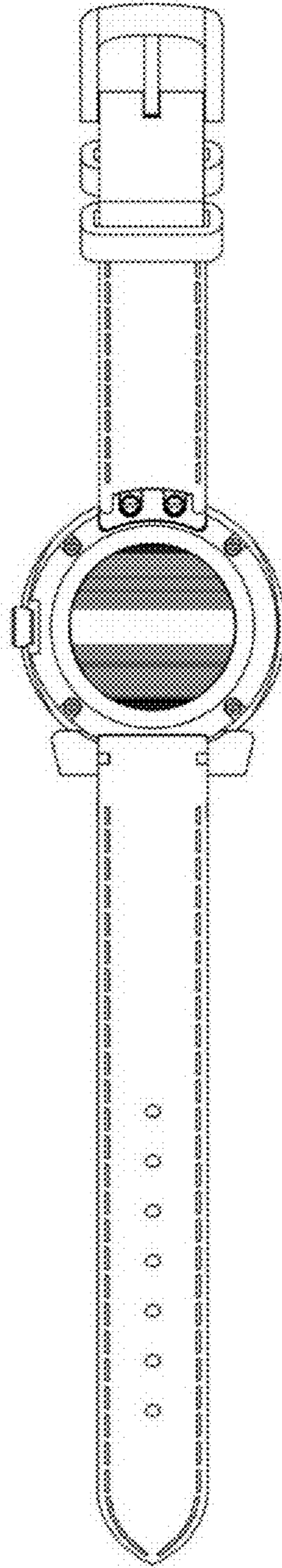
1.1



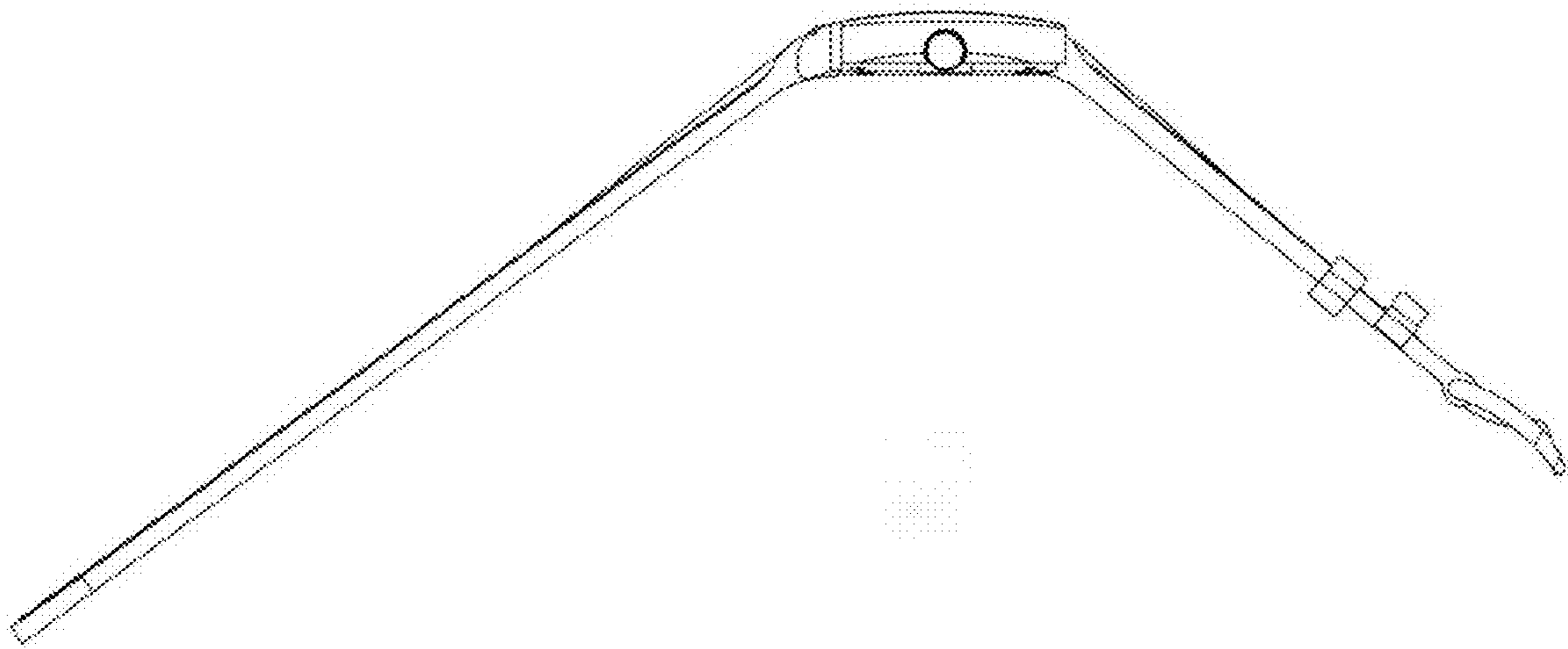
1.2



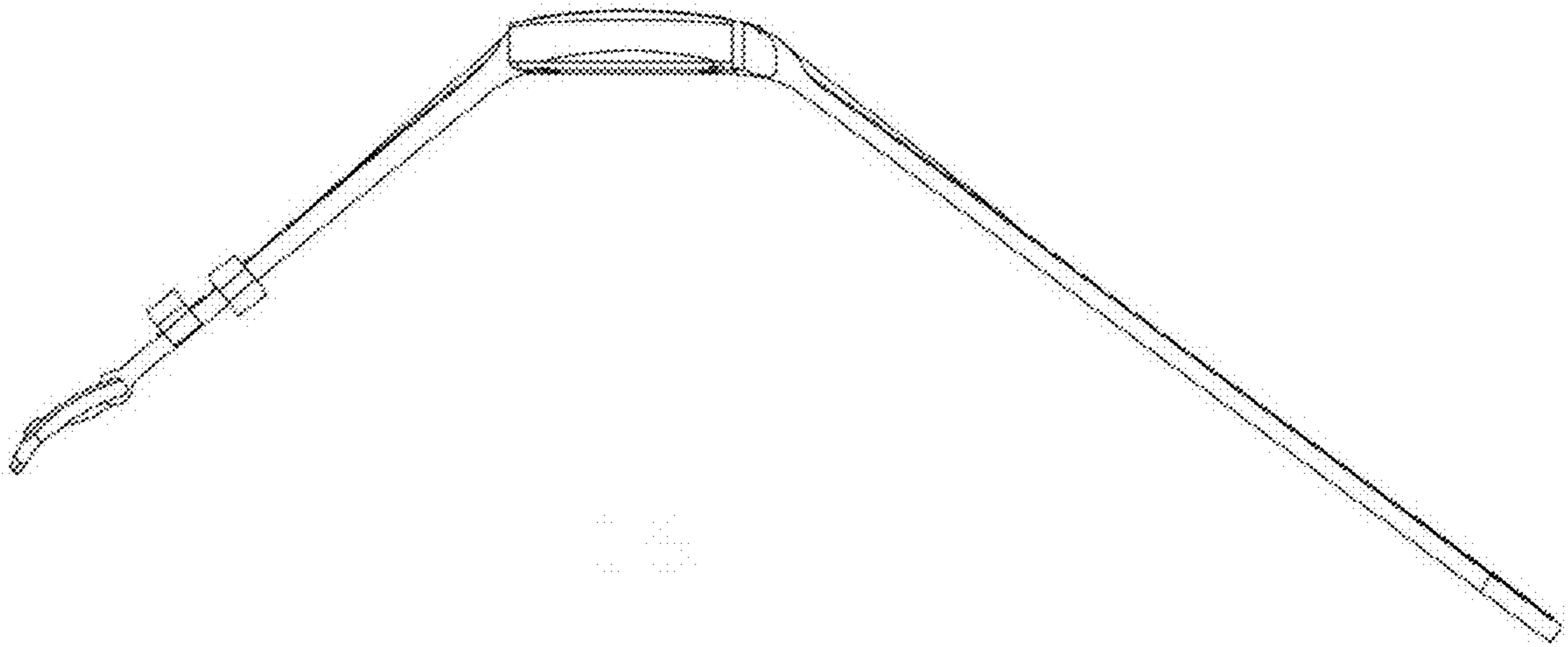
1.3



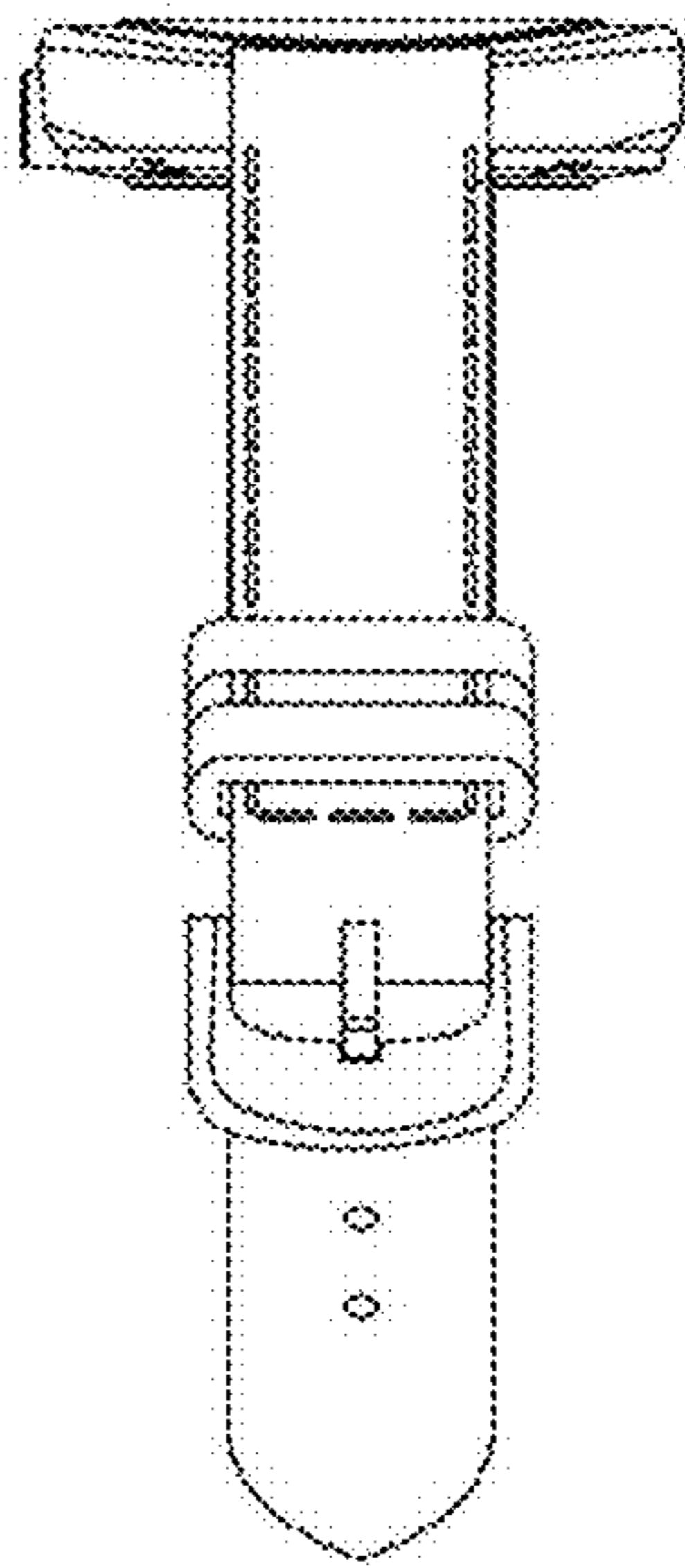
1.4



1.5



1.6



1.7

