



US00D804966S

(12) **United States Design Patent** (10) **Patent No.:** **US D804,966 S**  
**Inoue** (45) **Date of Patent:** **\*\* Dec. 12, 2017**

(54) **WATCHCASE**  
(71) Applicant: **CITIZEN WATCH CO., LTD.**, Tokyo (JP)  
(72) Inventor: **Hideki Inoue**, Musashino (JP)  
(73) Assignee: **CITIZEN WATCH CO., LTD.**, Tokyo (JP)  
(\*\*) Term: **15 Years**

D737,151 S \* 8/2015 Alward ..... D10/31  
D742,260 S \* 11/2015 Park ..... D10/30  
D756,244 S \* 5/2016 Bastian ..... D10/132  
D762,126 S \* 7/2016 Izuka ..... D10/126  
D784,829 S \* 4/2017 Kita ..... D10/38

**FOREIGN PATENT DOCUMENTS**

CH 139514 3/2015  
EM 0020319890001 4/2012  
EM 0026171180065 1/2015  
JP 1478344 9/2013

\* cited by examiner

*Primary Examiner* — Sheryl Lane  
*Assistant Examiner* — Calvin E Vansant  
(74) *Attorney, Agent, or Firm* — RatnerPrestia

(21) Appl. No.: **29/576,083**  
(22) Filed: **Aug. 31, 2016**  
(51) **LOC (10) Cl.** ..... **10-02**  
(52) **U.S. Cl.**  
USPC ..... **D10/30**  
(58) **Field of Classification Search**  
USPC ..... D10/1-39, 65, 70, 122-132  
CPC ..... G04B 17/00; G04B 17/02; G04B 17/005;  
G04B 17/285; G04B 37/00; G04B 37/00;  
G04B 37/0058; G04B 45/00; G04B  
45/02; G04B 45/038; G04B 45/0069;  
G04B 45/0076; G04B 29/00; G04B  
19/268

See application file for complete search history.

(56) **References Cited**

**U.S. PATENT DOCUMENTS**

D462,920 S \* 9/2002 Calvani ..... D10/132  
D538,181 S 3/2007 Sugiura  
D668,162 S \* 10/2012 Inoue ..... D10/39  
D701,465 S \* 3/2014 Ganz ..... D10/38  
D711,750 S \* 8/2014 Monachon ..... D10/39  
D715,660 S \* 10/2014 Inoue ..... D10/39  
D719,850 S \* 12/2014 Kita ..... D10/32

(57) **CLAIM**

The ornamental design for a watchcase, as shown and described.

**DESCRIPTION**

FIG. 1 is an enlarged perspective view of a watchcase showing my new design;  
FIG. 2 is another enlarged perspective view thereof;  
FIG. 3 is a front elevational view thereof;  
FIG. 4 is a rear elevational view thereof;  
FIG. 5 is a left side elevational view thereof;  
FIG. 6 is a right side elevational view thereof;  
FIG. 7 is a top plan view thereof; and,  
FIG. 8 is a bottom plan view thereof.  
The broken lines depict portions of the watchcase that form no part of the claim.

**1 Claim, 5 Drawing Sheets**

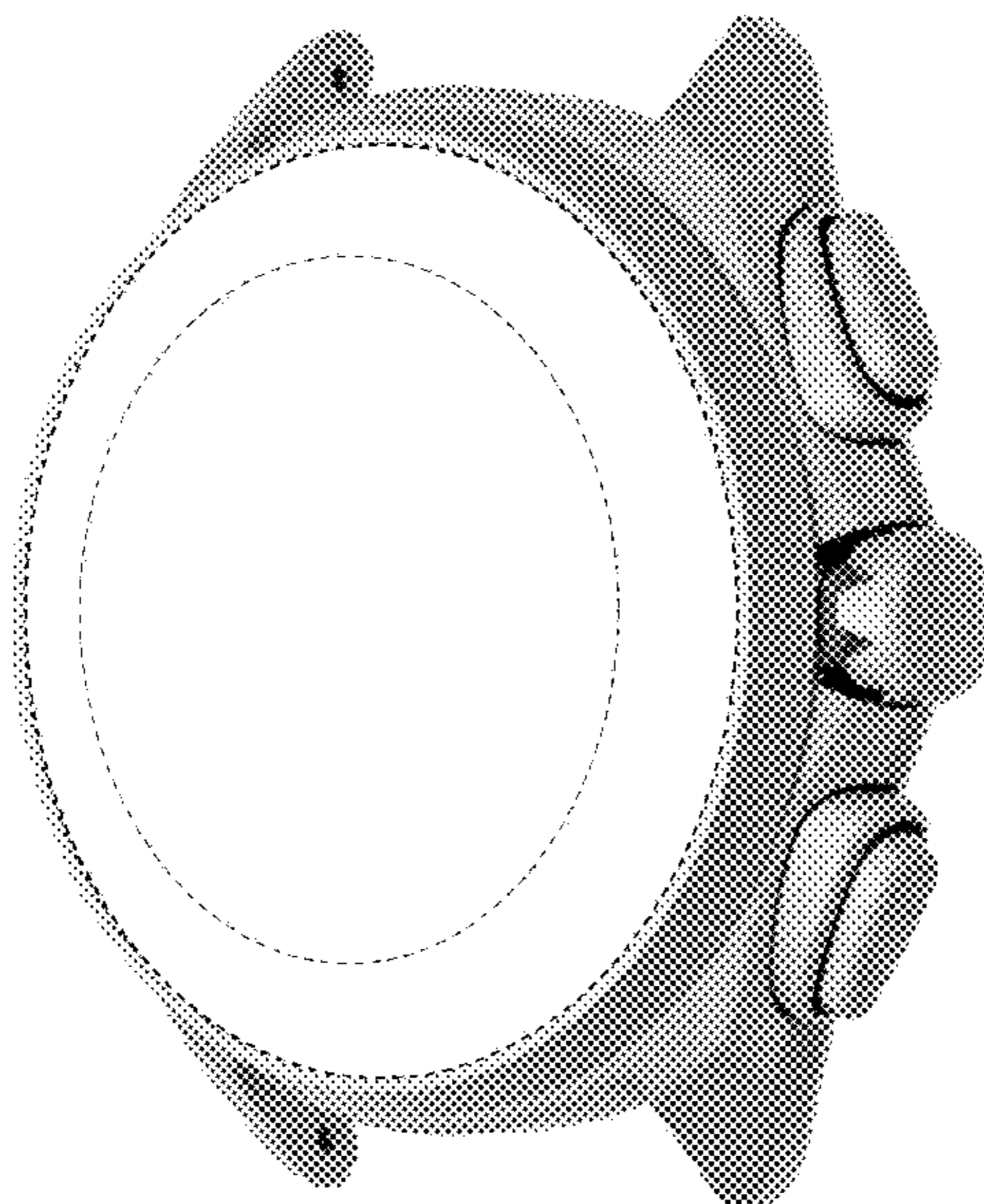


FIG. 1

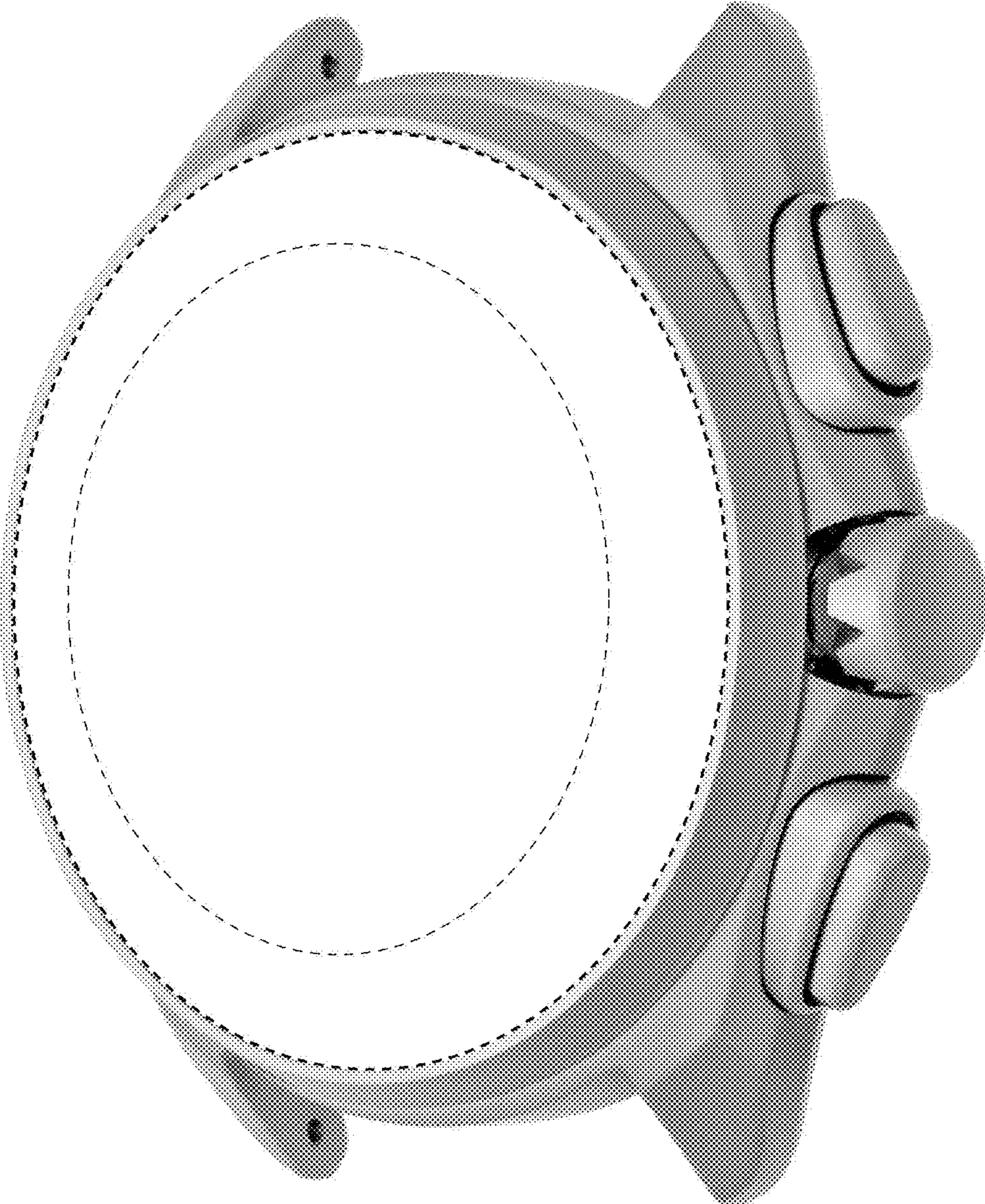


FIG. 2

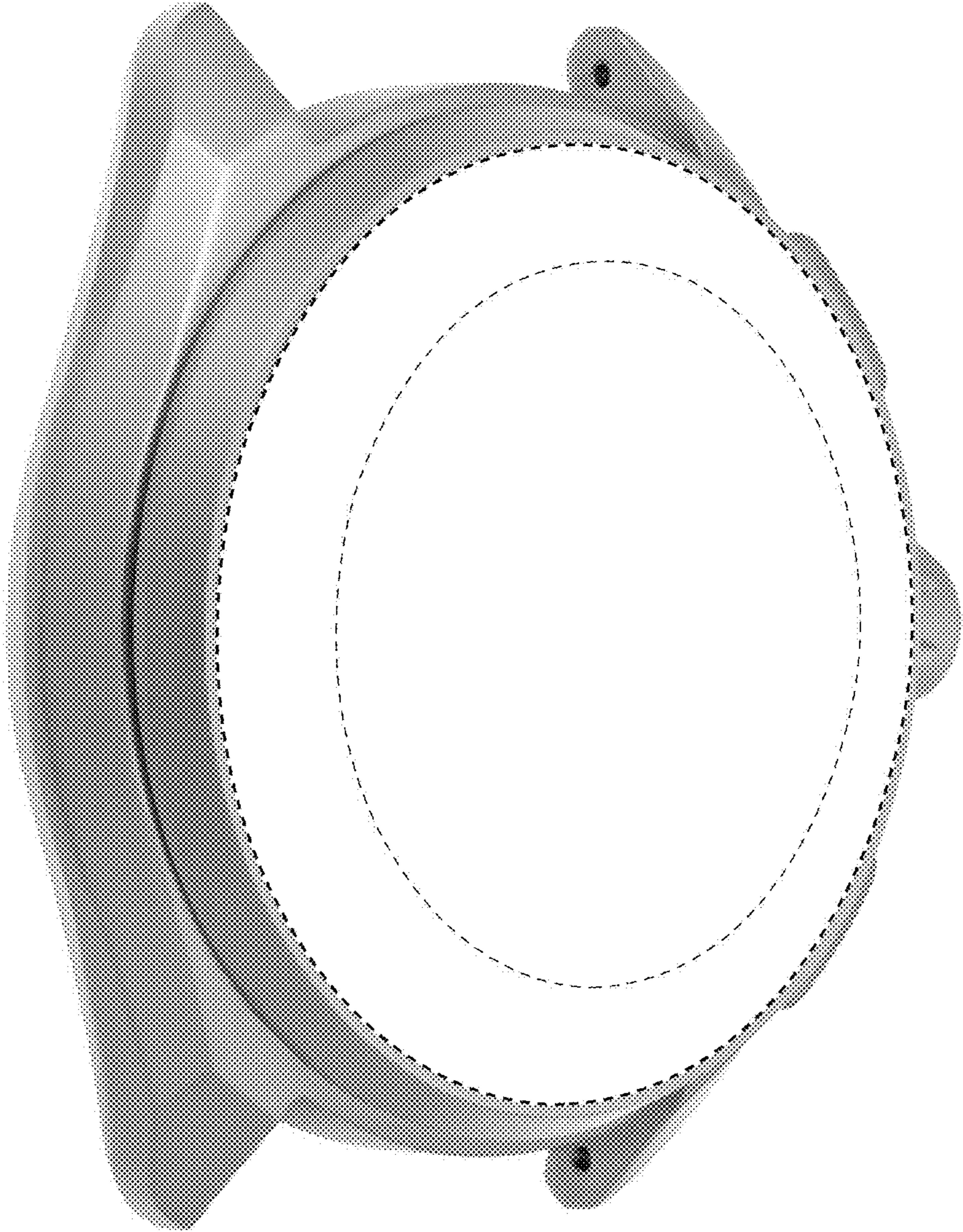


FIG. 3

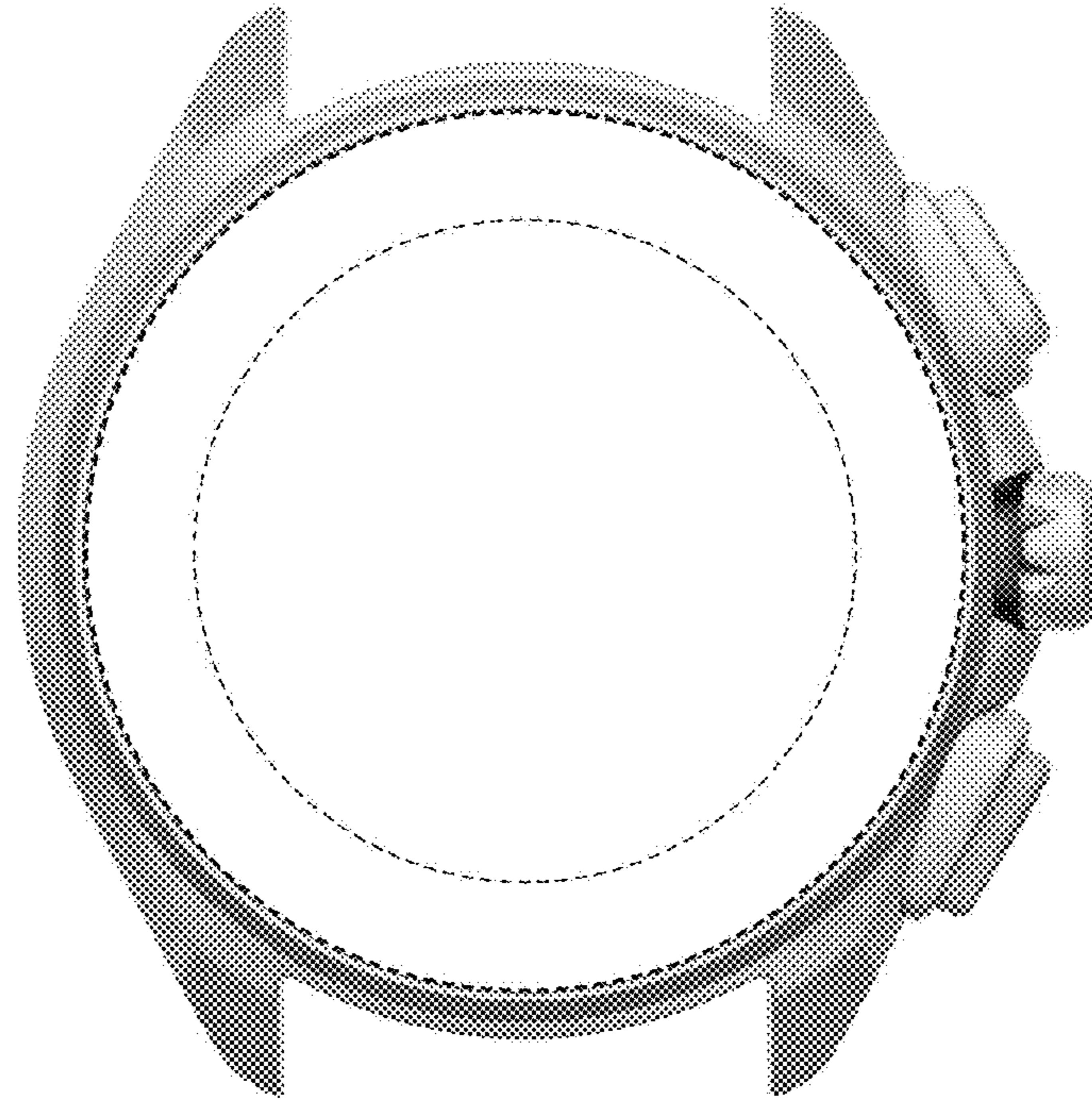


FIG. 4



FIG. 5

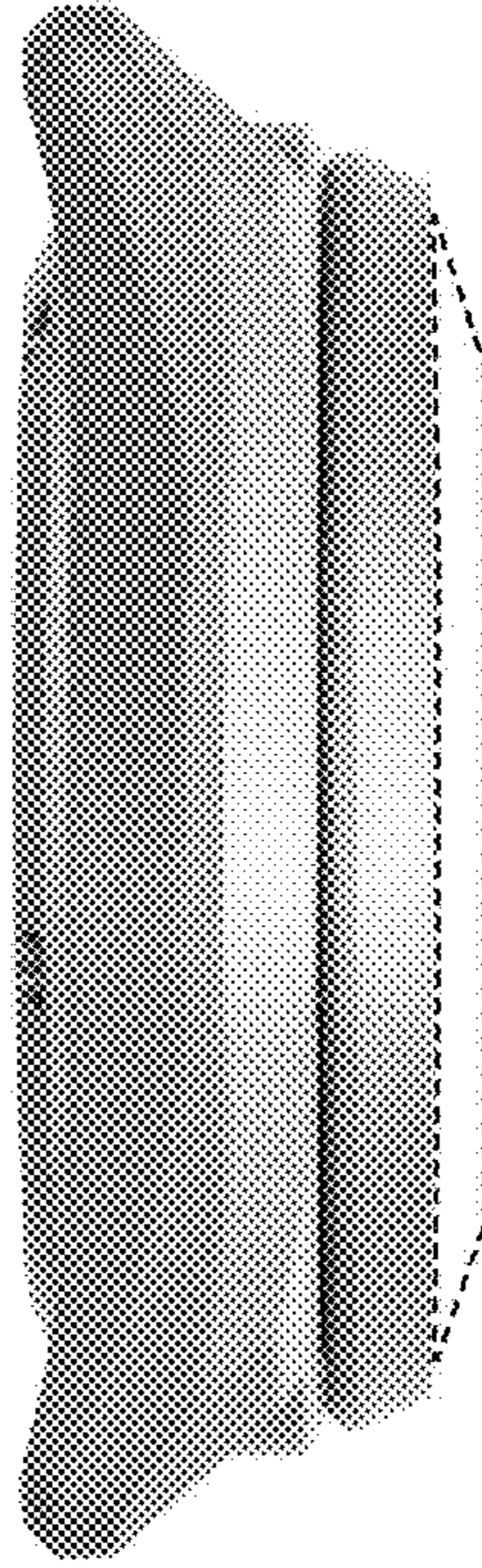


FIG. 6

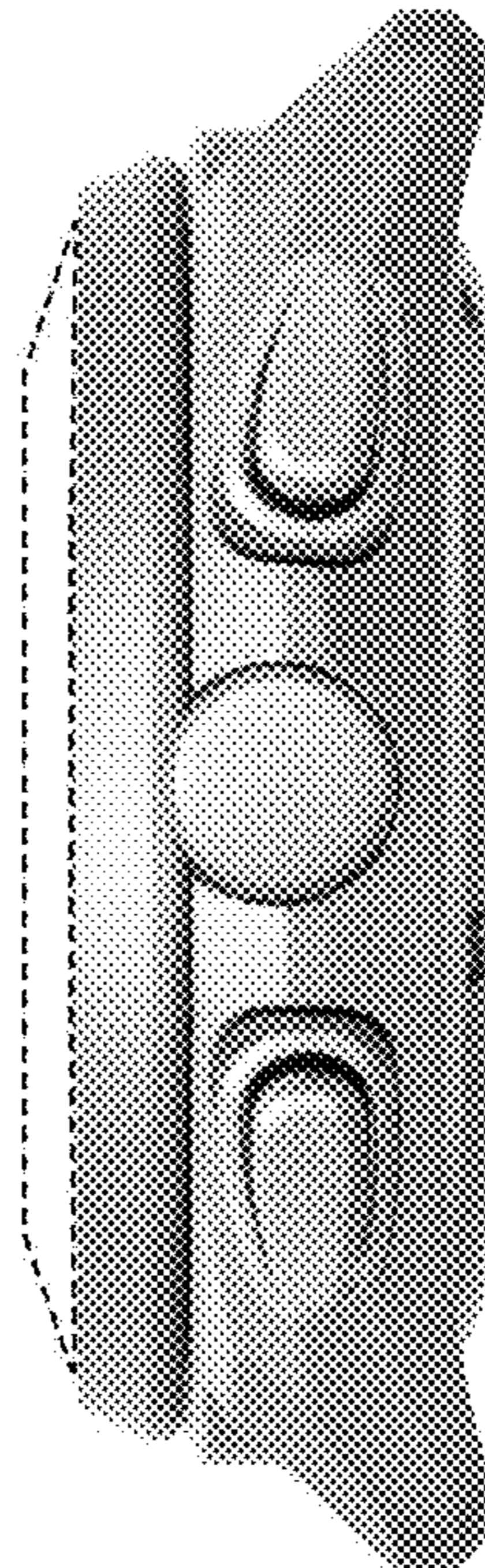


FIG. 7

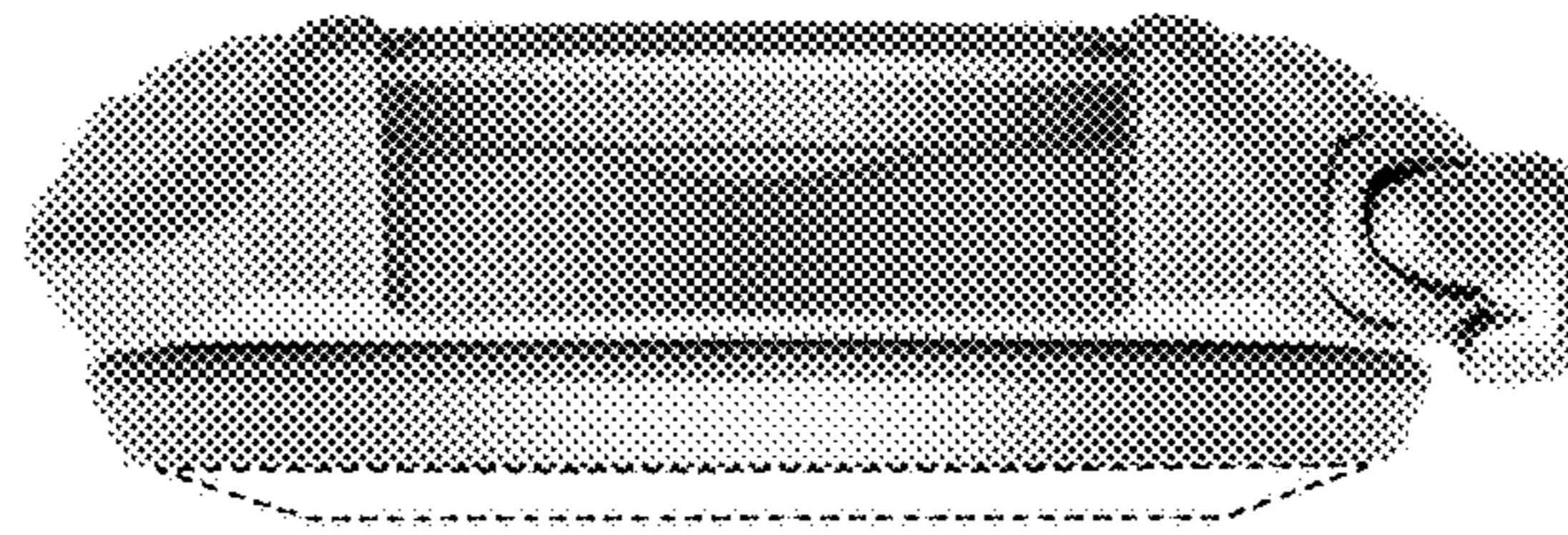


FIG. 8

