



US00D804965S

(12) **United States Design Patent**
Schleining

(10) **Patent No.:** **US D804,965 S**

(45) **Date of Patent:** **** Dec. 12, 2017**

(54) **EGG CARTON**

(71) Applicant: **Ovotherm International Handels GmbH, Wr. Neudorf (AT)**

(72) Inventor: **Walter Schleining, Tribuswinkel (AT)**

(73) Assignee: **OVOTHERM INTERNATIONAL HANDELS GMBH, WR. Neudorf (AT)**

(**) Term: **15 Years**

(21) Appl. No.: **29/570,618**

(22) Filed: **Jul. 11, 2016**

(51) **LOC (10) Cl.** **09-03**

(52) **U.S. Cl.**
USPC **D9/762; D9/757**

(58) **Field of Classification Search**
USPC D9/762, 757, 737, 761, 420-426, 432, D9/418, 415, 501, 72, 739, 742, 753, 756, D9/741; D7/611, 550.1, 605, 701, 553.1, D7/553.2, 614; D3/313, 304, 311, 314, D3/315; D6/396, 397, 449, 450, 466, D6/469, 629; D24/227; 206/139, 206/201-203, 427, 265, 504, 518, 519, 206/524.1, 557, 561, 564, 565, 703, 704, 206/705, 523, 586, 515, 521.1, 521.15, 206/521.3, 521.6, 521.8, 521.4, 521.9, 206/406; 220/4.26, 508; 229/406; 426/119, 112, 298, 614; D11/143, 155, D11/156
CPC B65D 85/324; B65D 85/32; B65D 71/70; B65D 85/322
See application file for complete search history.

(56) **References Cited**

U.S. PATENT DOCUMENTS

D243,507 S * 3/1977 Petersen D9/757
4,205,777 A * 6/1980 Brown B65D 85/324
206/521.1
4,617,748 A * 10/1986 Padovani B65D 85/324
206/459.5

(Continued)

OTHER PUBLICATIONS

Ovotherm Traypack 2x12, available Oct. 29, 2016, [online], [site visited Oct. 29, 2016]. Available from internet, <URL: <http://www.ovotherm.com/index.php/en/products/product-finder>.*

(Continued)

Primary Examiner — Cathron Brooks

Assistant Examiner — Teddy Falloway

(74) *Attorney, Agent, or Firm* — Andrew Wilford

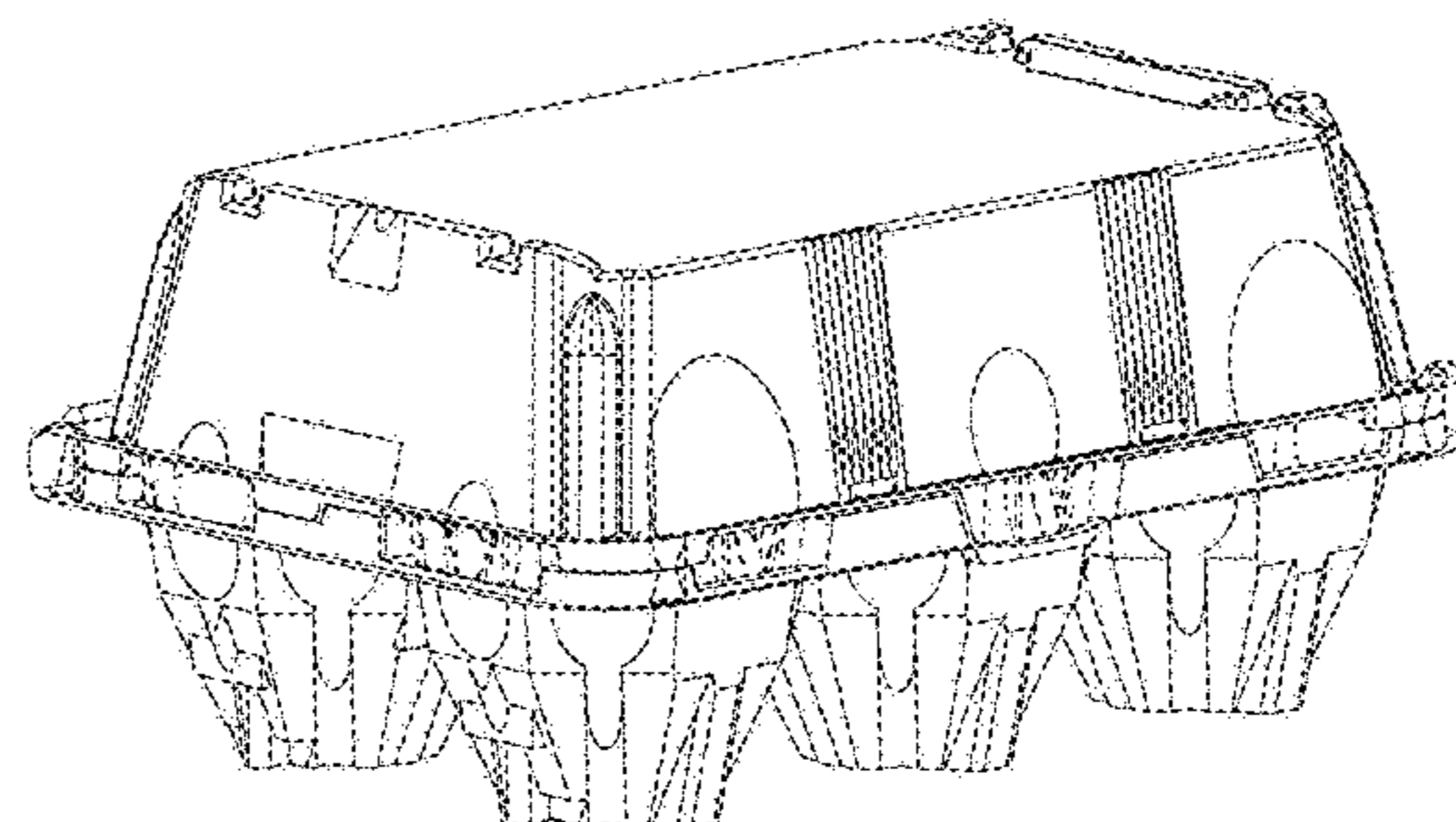
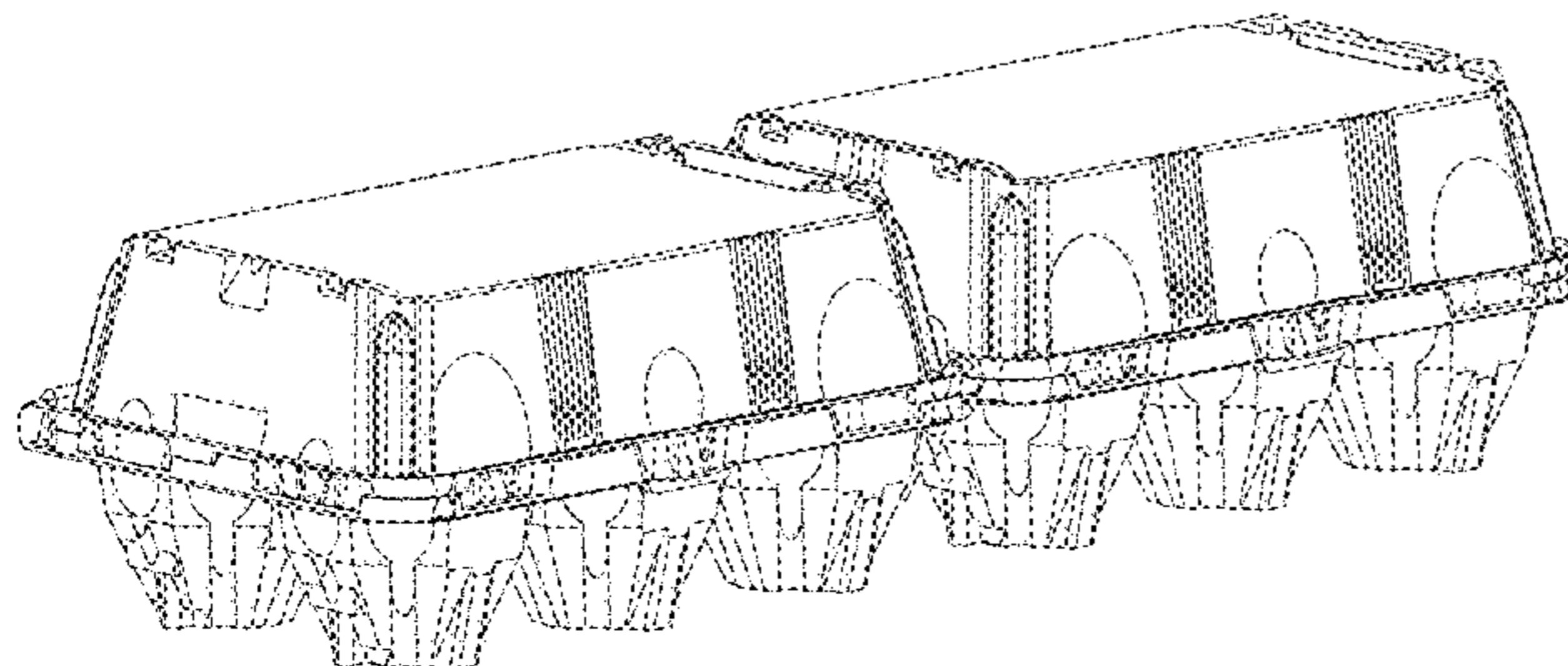
(57) **CLAIM**

The ornamental design for an egg carton, as shown and described.

DESCRIPTION

FIG. 1 is front perspective view from above of an egg carton according to the invention that can be split into two symmetrically identical halves each adapted to hold six eggs; FIG. 2 is a rear perspective view from above of the invention; FIG. 3 is a rear perspective view from below of the invention; FIG. 4 is a front side view of the invention; FIG. 5 is a top view of the invention; FIG. 6 is an end view of the invention; FIG. 7 is a front perspective view of the egg carton in FIG. 1, but shown in a divided configuration, showing a single half for completeness of illustration; FIG. 8 is a rear perspective view thereof; FIG. 9 is a top plan view thereof; and, FIG. 10 is a bottom plan view thereof. The broken lines shown in FIGS. 1-4, 6 and 7 illustrate portions of the egg carton and form no part of the claimed design.

1 Claim, 8 Drawing Sheets



(56)

References Cited

U.S. PATENT DOCUMENTS

D385,780	S *	11/1997	Krupa	D9/757
D412,841	S *	8/1999	Herbruck	D9/762
D506,932	S *	7/2005	Ramirez	D9/737
D632,975	S *	2/2011	Dijkstra	D9/757
D632,976	S *	2/2011	Dijkstra	D9/757
D656,843	S *	4/2012	Schleining	D9/757
D689,376	S *	9/2013	Von Der Ahe	D9/757
D739,265	S *	9/2015	Buckley	D9/762
D739,767	S *	9/2015	Schleining	D9/757
2007/0151892	A1 *	7/2007	St-Onge	B65D 85/32 206/521.1
2008/0283437	A1 *	11/2008	St-Onge	B65D 85/32 206/521.1
2011/0121000	A1 *	5/2011	Schleining	B65D 43/162 220/500
2011/0132791	A1 *	6/2011	Dijkstra	B65D 85/324 206/521.8
2013/0020224	A1 *	1/2013	Ramirez	B65D 85/32 206/521.8
2014/0251853	A1 *	9/2014	Dijkstra	B65D 85/324 206/459.5
2015/0329277	A1 *	11/2015	Dijkstra	B65D 85/324 206/459.5
2016/0046432	A1 *	2/2016	Kuruvilla	B65D 85/32 206/521.1

OTHER PUBLICATIONS

Ovotherm Showcase 2x12, available Oct. 29, 2016, [online], [site visited Oct. 29, 2016]. Available from internet, <URL: <http://www.ovootherm.com/index.php/en/products/product-finder>.*

* cited by examiner

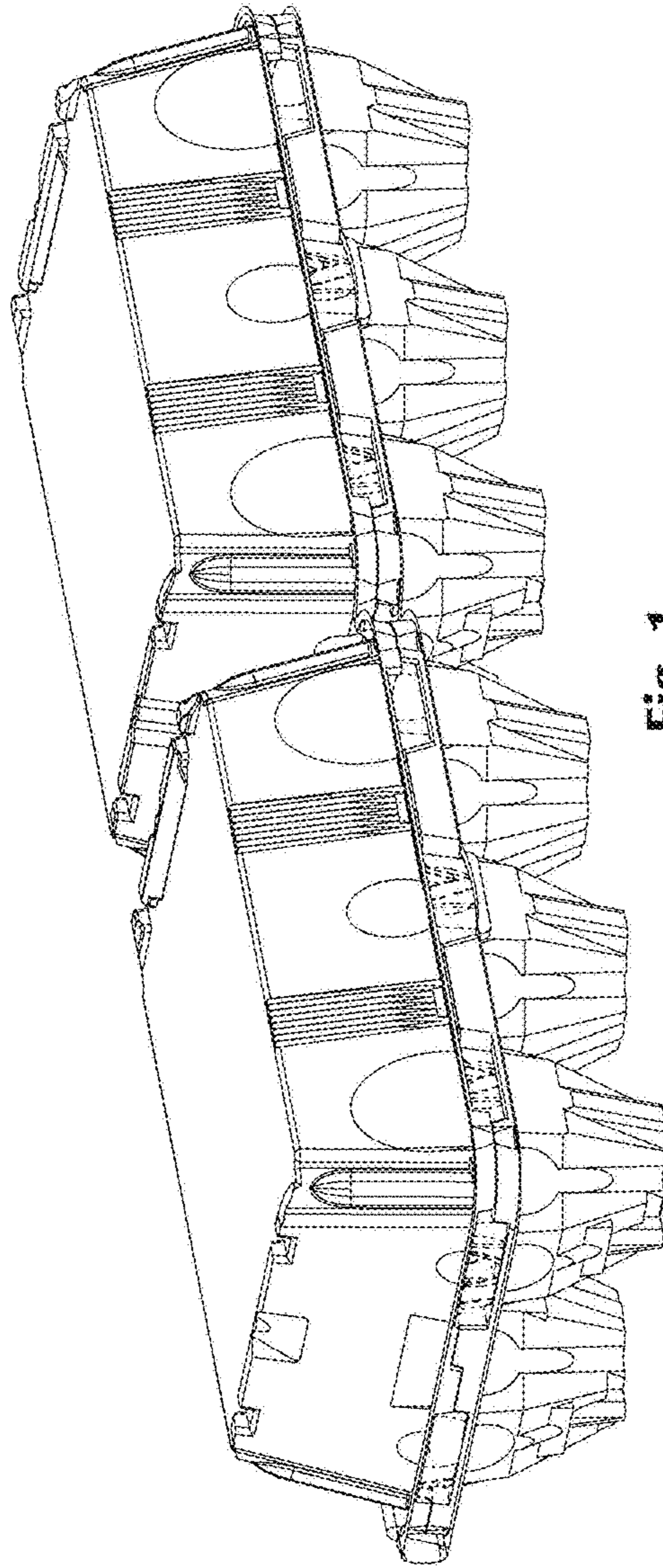


Fig. 1

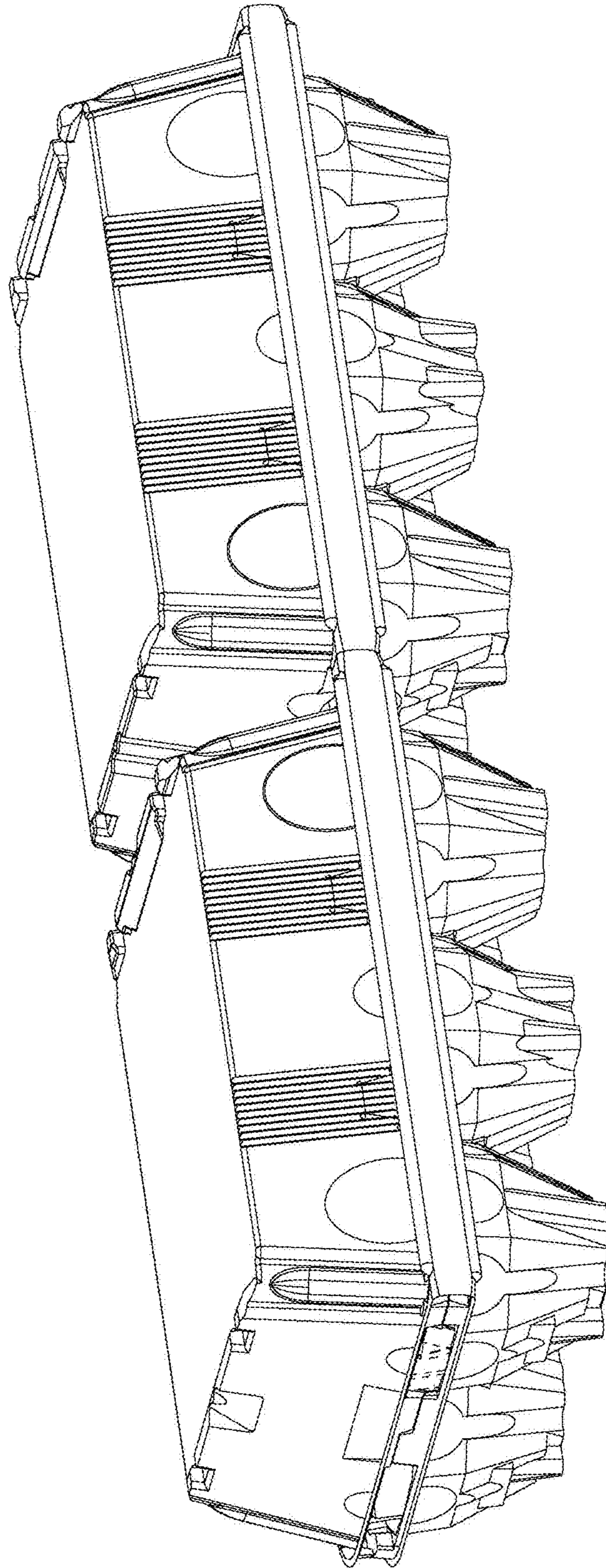


Fig. 2

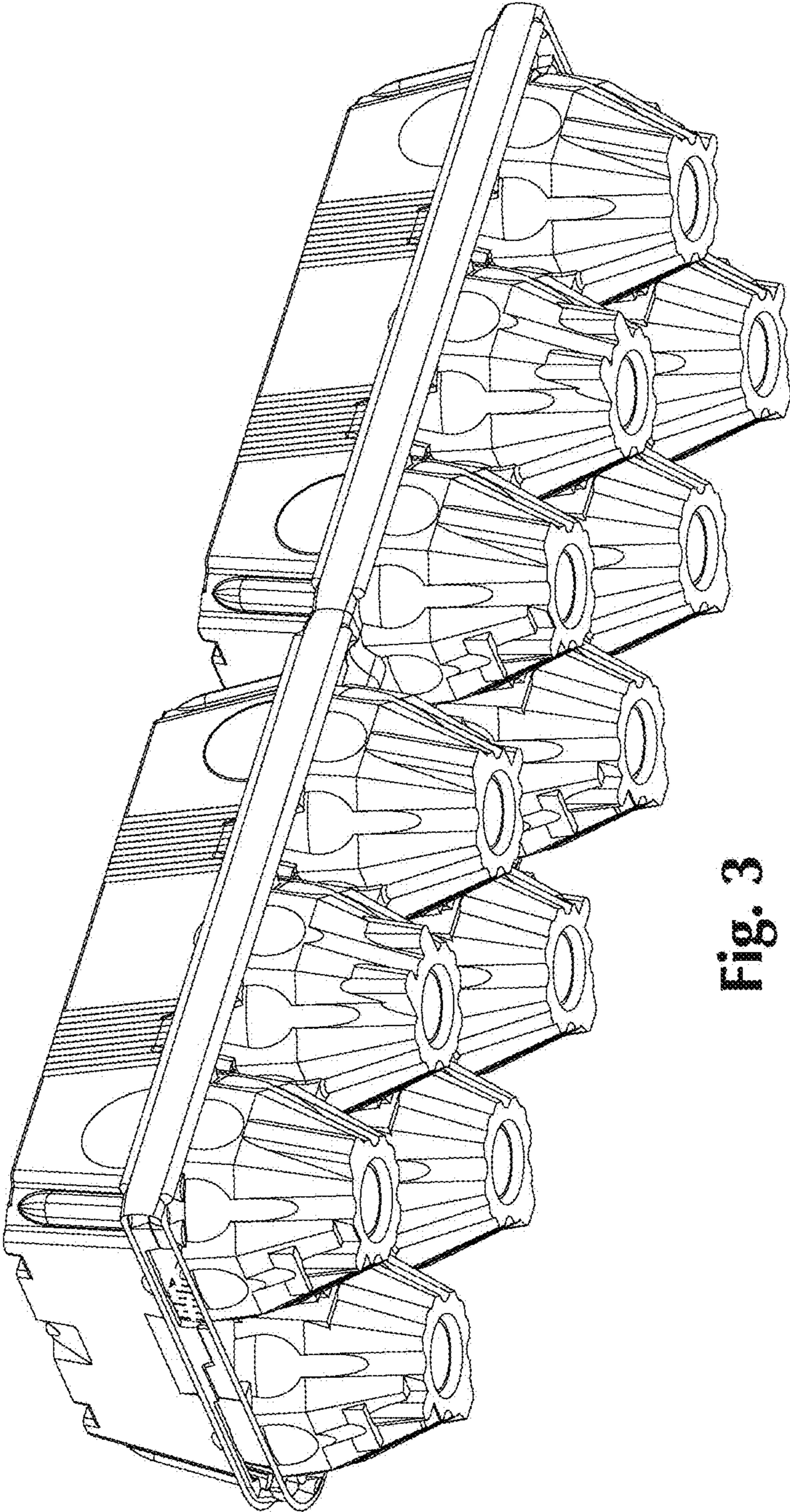


Fig. 3

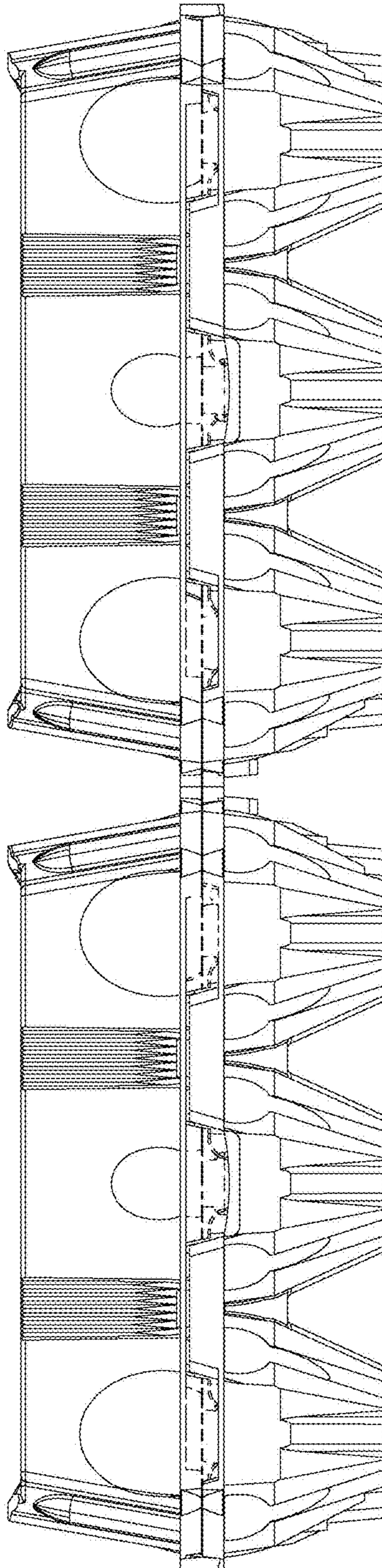


Fig. 4

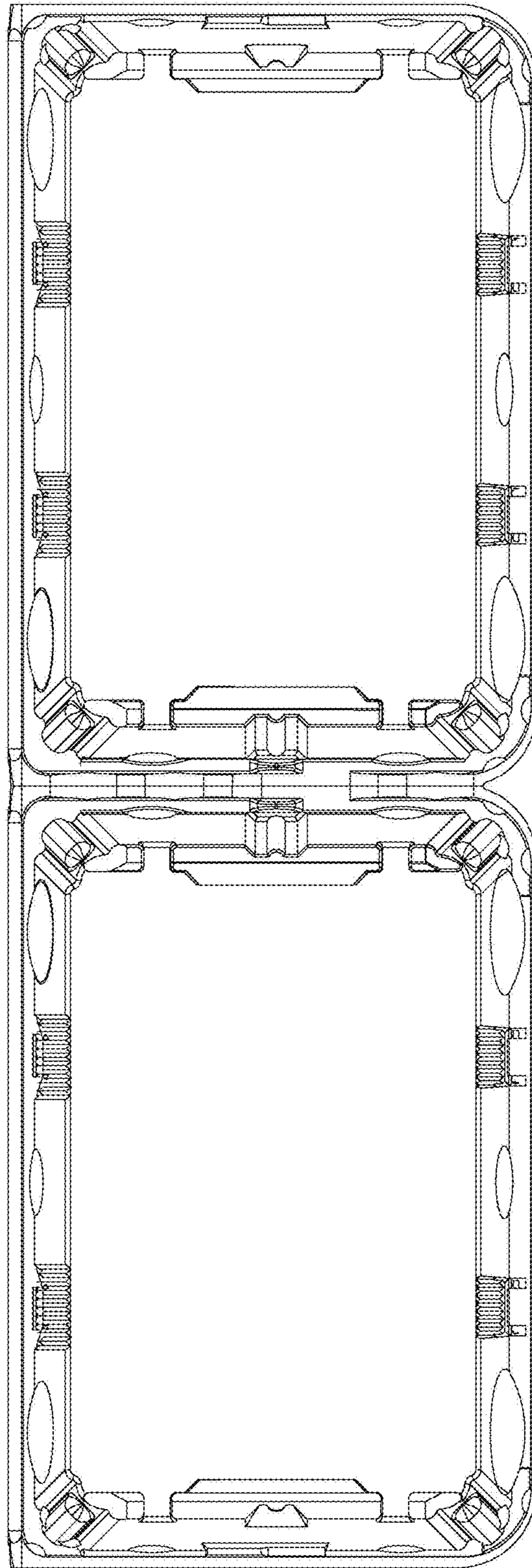


Fig. 5

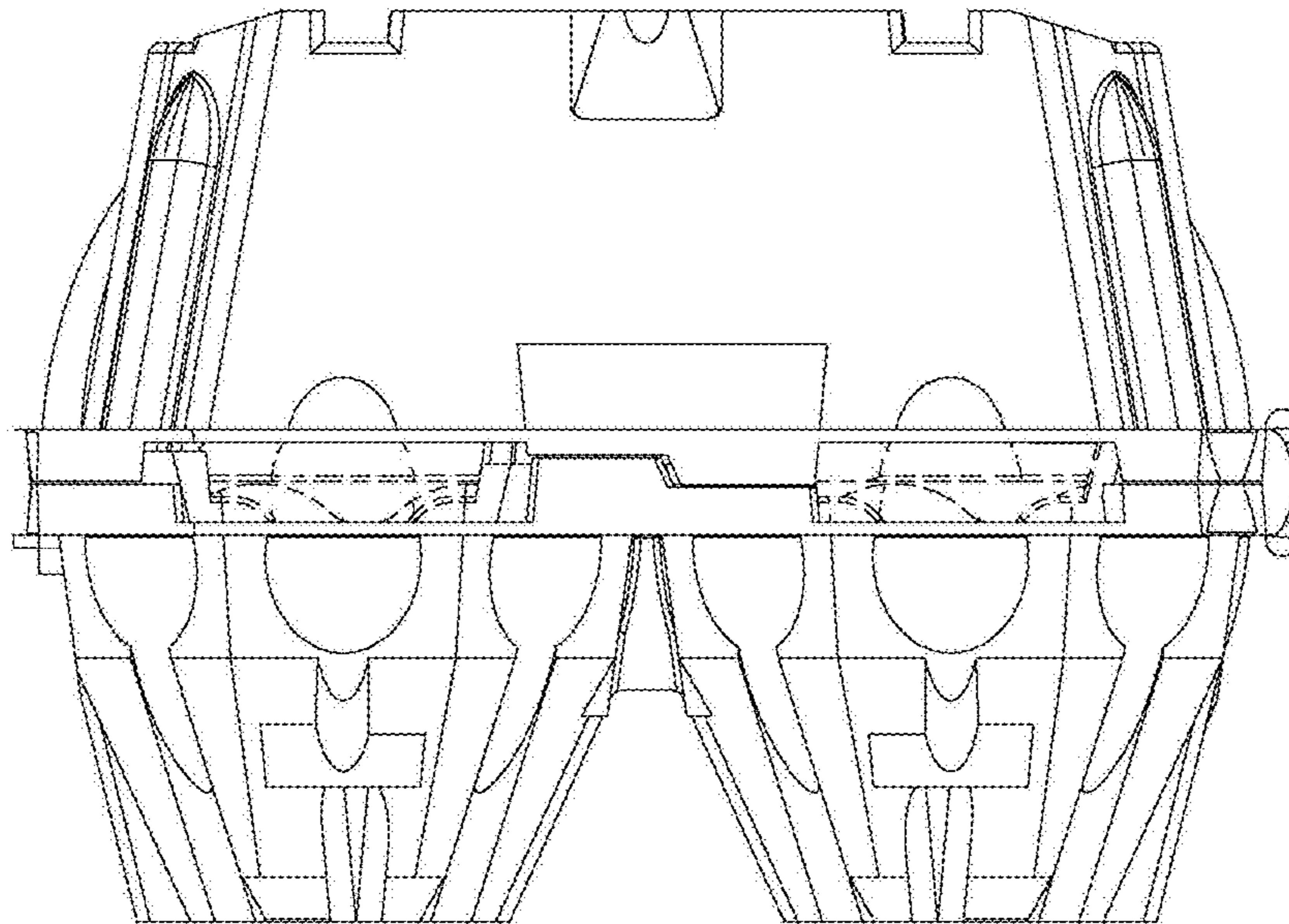


Fig. 6

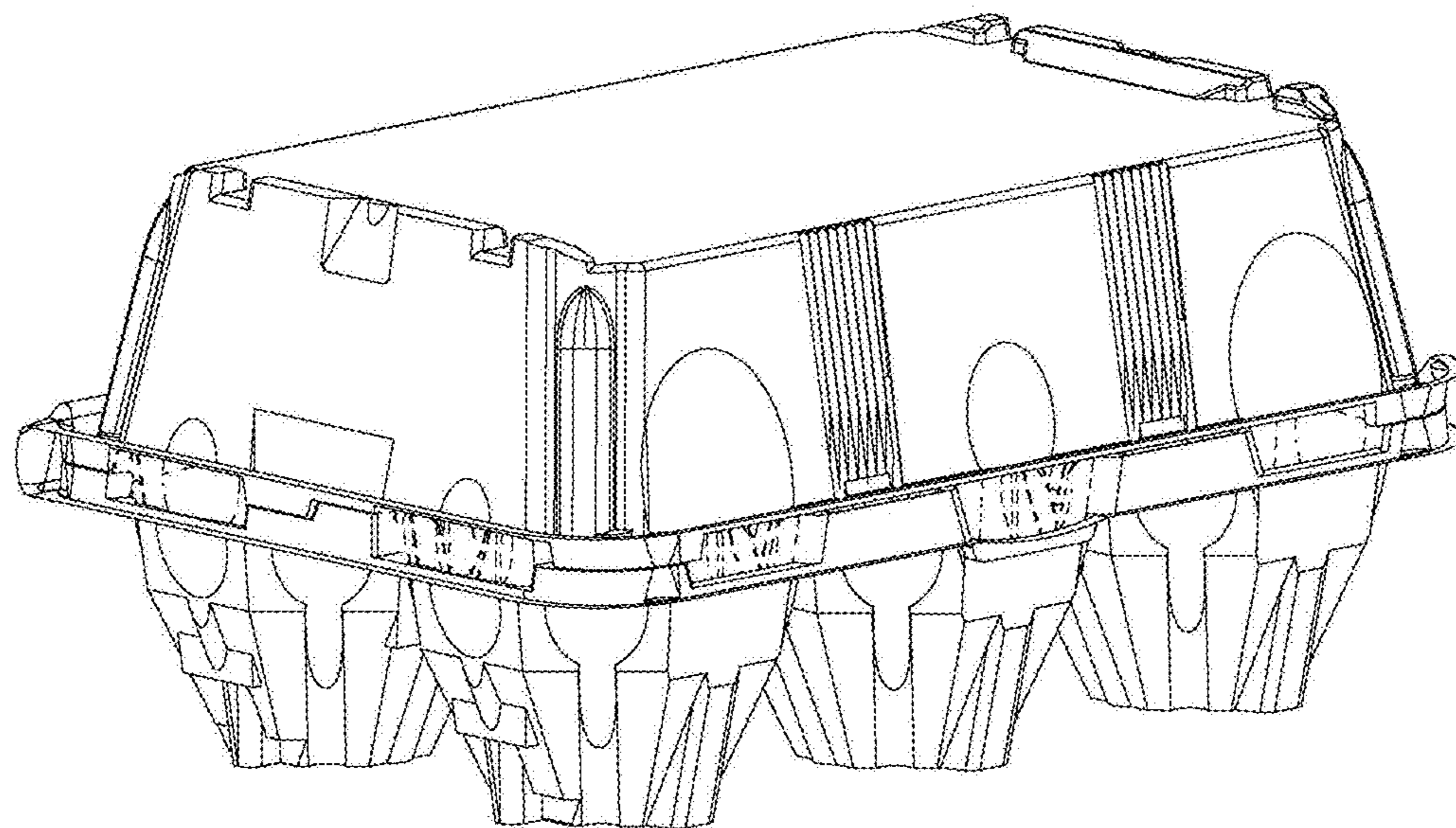


Fig. 7

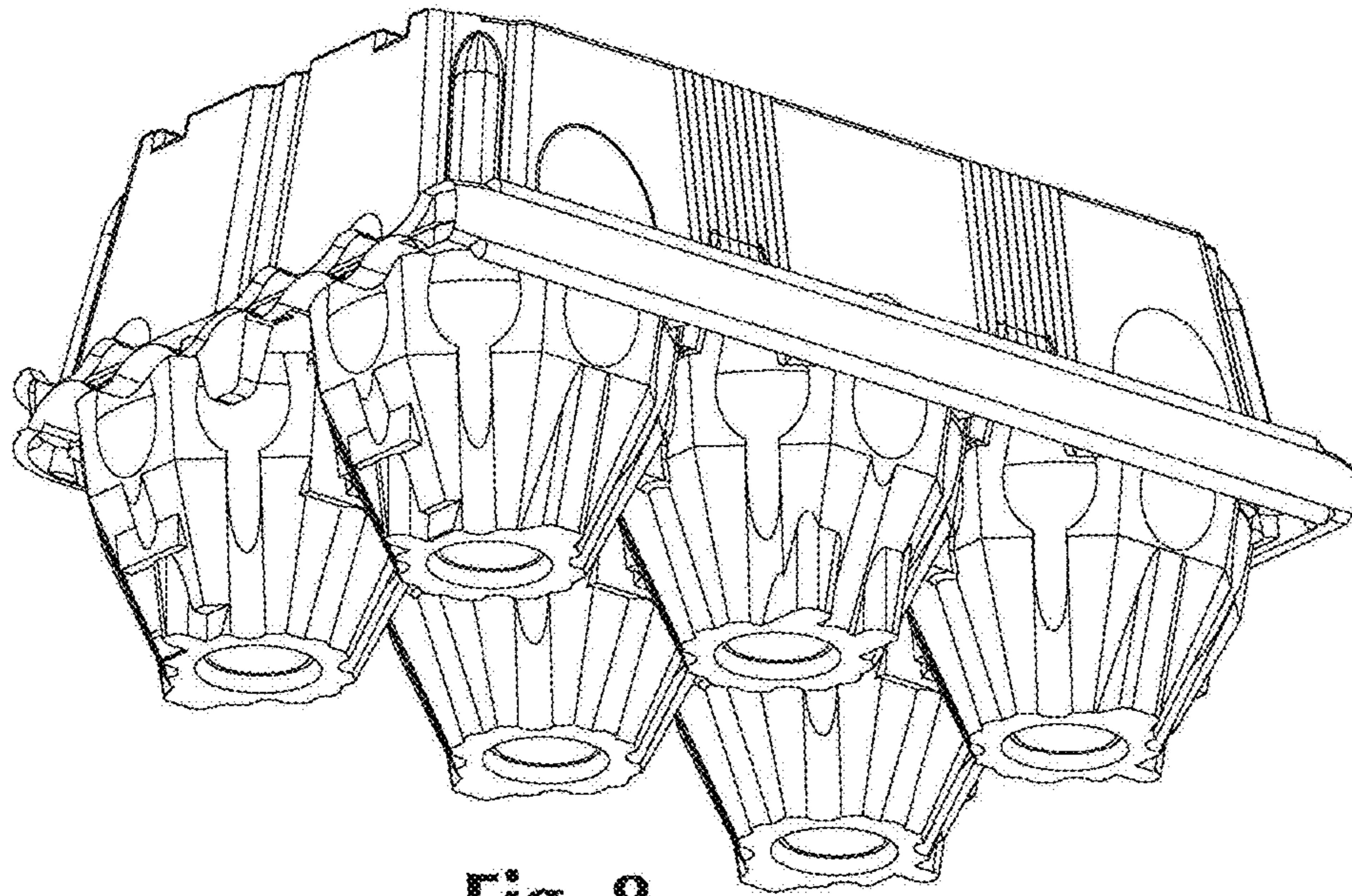


Fig. 8

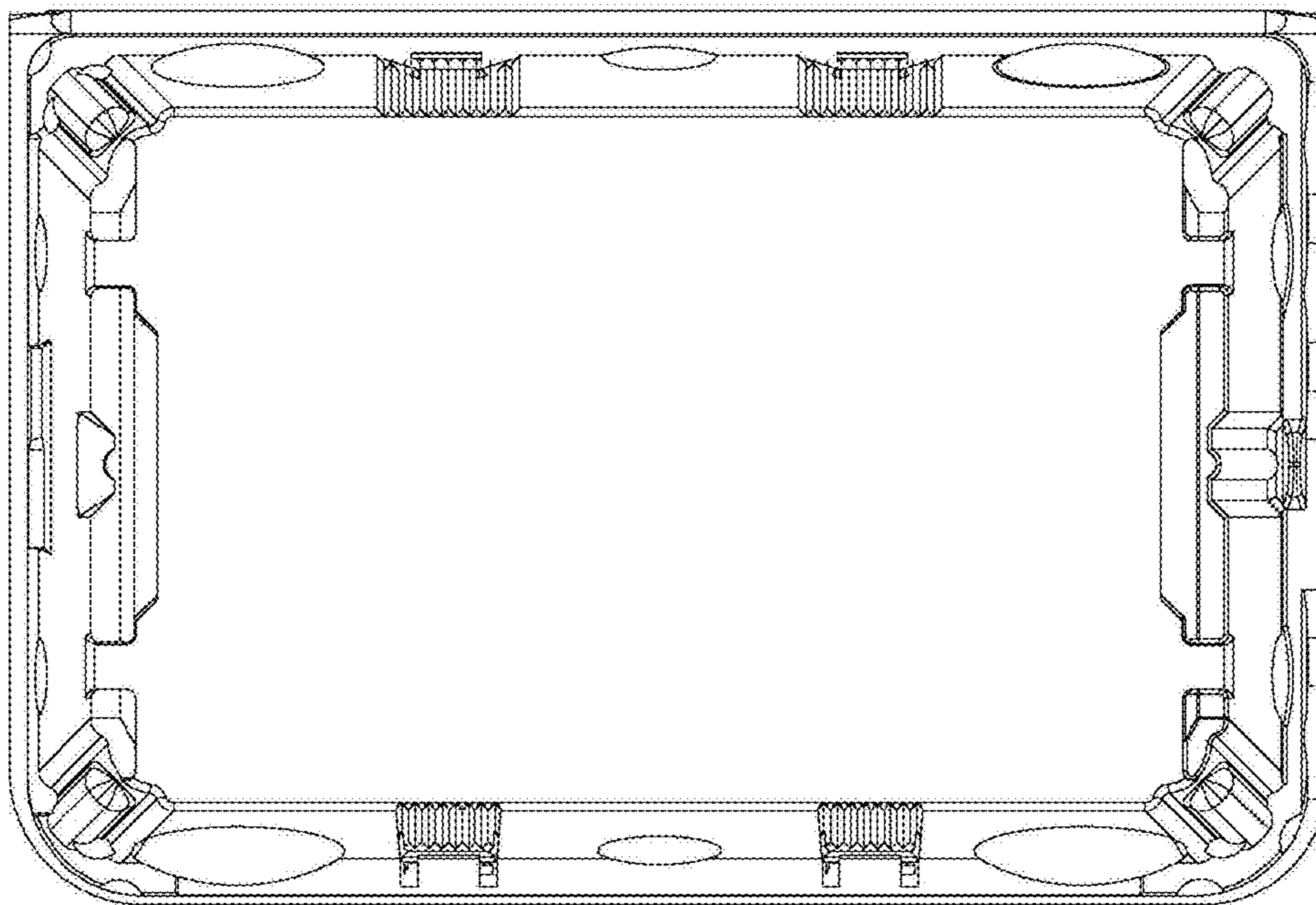


Fig. 9

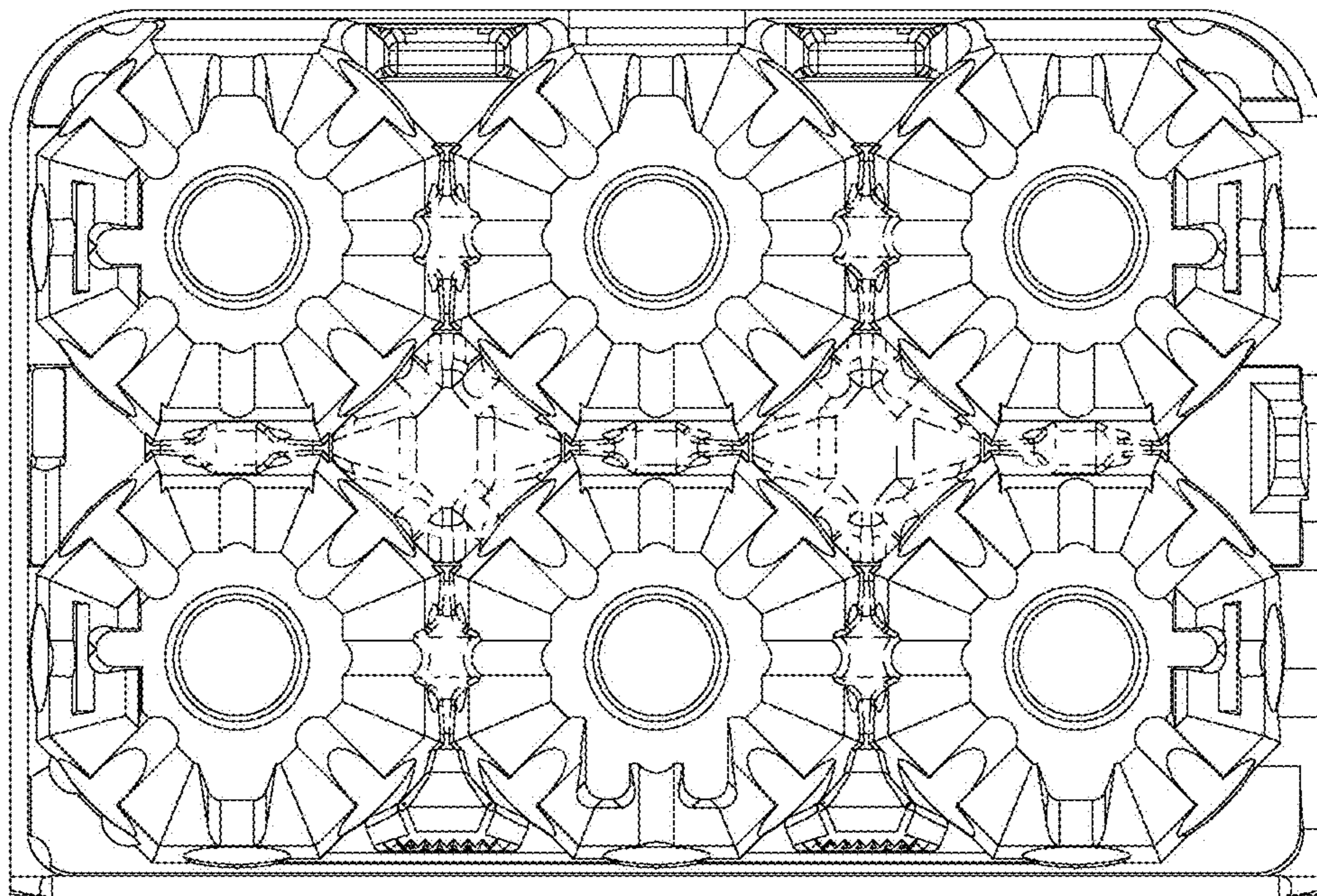


Fig. 10