

US00D804961S

(12) **United States Design Patent** (10) **Patent No.:** **US D804,961 S**
Shoshan et al. (45) **Date of Patent:** **** Dec. 12, 2017**

(54) **TRAY**

(71) Applicants: **FiveStar Gourmet Foods, Inc.**,
Ontario, CA (US); **Direct Pack, Inc.**,
Azusa, CA (US)

(72) Inventors: **Tal Shoshan**, Alta Loma, CA (US);
Maria Angelica O. Garcia, Anaheim,
CA (US)

(73) Assignees: **FIVESTAR GOURMET FOODS,**
INC., Ontario, CA (US); **DIRECT**
PACK, INC., Azusa, CA (US)

(**) Term: **15 Years**

(21) Appl. No.: **29/610,730**

(22) Filed: **Jul. 14, 2017**

(51) **LOC (10) Cl.** **09-03**

(52) **U.S. Cl.**
USPC **D9/737**

(58) **Field of Classification Search**
USPC D9/341, 347, 414-432, 440, 444, 447,
D9/449, 450-454, 503, 504, 737, 759,
D9/761; D7/672, 601, 550.1, 551.1,
D7/551.2, 551.3, 552.1, 552.2, 553.1,
D7/553.2, 553.3, 553.4, 553.5, 553.7,
D7/553.8, 554.1, 554.3, 555, 557, 602,
D7/629, 630, 538-542, 612-615, 584,
D7/586, 587, 392.1, 709, 608, 622, 701,
D7/703, 543-549, 317-319, 391, 392,
D7/396.2, 510, 511; D3/273, 201-206,
D3/276, 283, 284, 295, 274, 302;
229/107, 406, 120, 125.17; 220/669-673,
220/675, 574-575, 573.1, 4.21, 660, 326,
220/236, 780-806, 4.24, 288, 260, 266,
220/306, 352, 356, 523, 23.8, 23.2, 23.83,
220/23.4, 662, 700, 701, 703, 711,
220/713-715, 719; 426/106; 206/216,
206/217, 541-550, 518, 557, 558, 561,
206/564, 223, 467; 215/211, 200, 224,
215/243; 249/126, 134

(Continued)

(56) **References Cited**

U.S. PATENT DOCUMENTS

3,207,302 A * 9/1965 Hobbs A61M 5/002
206/366
D222,312 S * 10/1971 Kurtz et al. D24/117
(Continued)

FOREIGN PATENT DOCUMENTS

WO WO 2012/027190 3/2012

OTHER PUBLICATIONS

Fabri-Kal Greenware GS6-3W 3-Compartment Clear PLA
Compostable Container, available Nov. 18, 2016, [online], [site
visited Aug. 14, 2017]. Available from internet, <URL: <https://www.webstaurantstore.com/fabri-kal-greenware-gs6-3w-3-compartment-clear-pla-compostable-container-pack/999GS63W.html>.*

(Continued)

Primary Examiner — Cathron Brooks

Assistant Examiner — Teddy Falloway

(74) *Attorney, Agent, or Firm* — Frost Brown Todd LLC

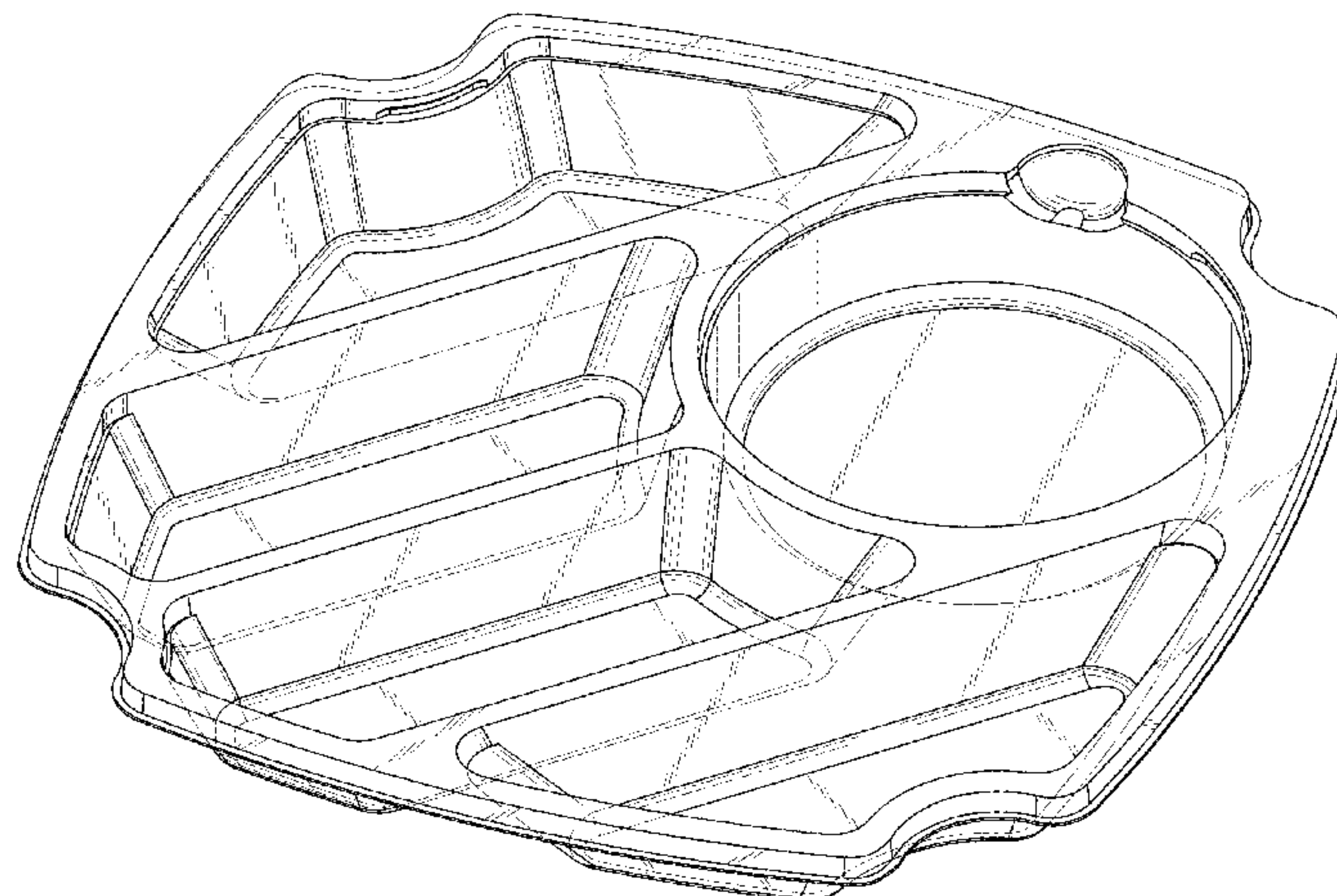
(57) **CLAIM**

The ornamental design for a tray, as shown and described.

DESCRIPTION

FIG. 1 is a top perspective view of the tray;
FIG. 2 is a bottom perspective view thereof;
FIG. 3 is a front elevation view thereof;
FIG. 4 is a rear elevation view thereof;
FIG. 5 is a left elevation view thereof;
FIG. 6 is a right elevation view thereof;
FIG. 7 is a top plan view thereof; and,
FIG. 8 is a bottom plan view thereof.

1 Claim, 8 Drawing Sheets



- (58) **Field of Classification Search**
 CPC A47G 19/00; A47G 19/02; A47G 19/065;
 B65D 1/34; B65D 1/026; B65D 21/00;
 B65D 21/0204
 See application file for complete search history.

(56) **References Cited**

U.S. PATENT DOCUMENTS

D293,193 S * 12/1987 Vandervoort D7/354
 D336,406 S * 6/1993 Wytiuk D3/311
 D419,869 S * 2/2000 Loew D9/761
 D454,489 S * 3/2002 Enciso D9/425
 6,637,721 B1 * 10/2003 Zonca F25C 1/24
 249/119
 D616,250 S * 5/2010 Peyton D7/553.3
 D679,952 S * 4/2013 Holding D7/550.1
 D693,178 S * 11/2013 Wilson D7/553.2
 D698,665 S * 2/2014 Sifuentes D9/425
 D698,666 S * 2/2014 Sifuentes D9/425
 D698,667 S * 2/2014 Snedden D9/425
 D723,391 S * 3/2015 Snedden D9/425
 D723,392 S * 3/2015 Sifuentes D9/425
 D728,383 S * 5/2015 Sifuentes D9/425
 D734,146 S * 7/2015 Fischer D9/424
 D736,013 S * 8/2015 Williams D6/675
 D740,615 S * 10/2015 Shoshan D7/553.2
 9,150,326 B2 10/2015 Landry
 D752,392 S * 3/2016 Maas D7/553.1

D768,000 S * 10/2016 Prueksapornpong D9/425
 D772,068 S 11/2016 Zheng et al.
 D772,078 S 11/2016 Shoshan et al.
 D778,115 S 2/2017 Strachan
 9,565,929 B2 2/2017 Flannery et al.
 D782,333 S * 3/2017 Shoshan D9/737
 D784,769 S 4/2017 Beckman et al.
 D785,406 S 5/2017 Wansink
 D786,621 S 5/2017 Davis
 D787,889 S 5/2017 Patel
 D790,283 S 6/2017 Willis
 2009/0294454 A1 * 12/2009 Harding A47G 21/004
 220/574.1
 2016/0278915 A1 9/2016 Glick et al.
 2017/0121089 A1 5/2017 Gillblad

OTHER PUBLICATIONS

Black Rectangular 3 Diagonal Compartment Plastic Container, available Aug. 16, 2017, [online], [site visited Aug. 16, 2017]. Available from internet, <URL: <https://www.webstaurantstore.com/dart-solo-b30dx3-clearpac-30-oz-black-rectangular-3-diagonal-compartment-plastic-container-252-case/301B30DX3.html>>.*
 Diagonal Space Saving Bamboo Drawer and Cabinet Organizer Divider fits Drawers 17" x 12" x 2.5" by Eco Kitchenware, downloaded Jul. 14, 2017 from <https://www.amazon.com/Diagonal-Cabinet-Organizer-Eco-Kitchenware/dp/B01HYDFIKW>, 8 pgs.

* cited by examiner

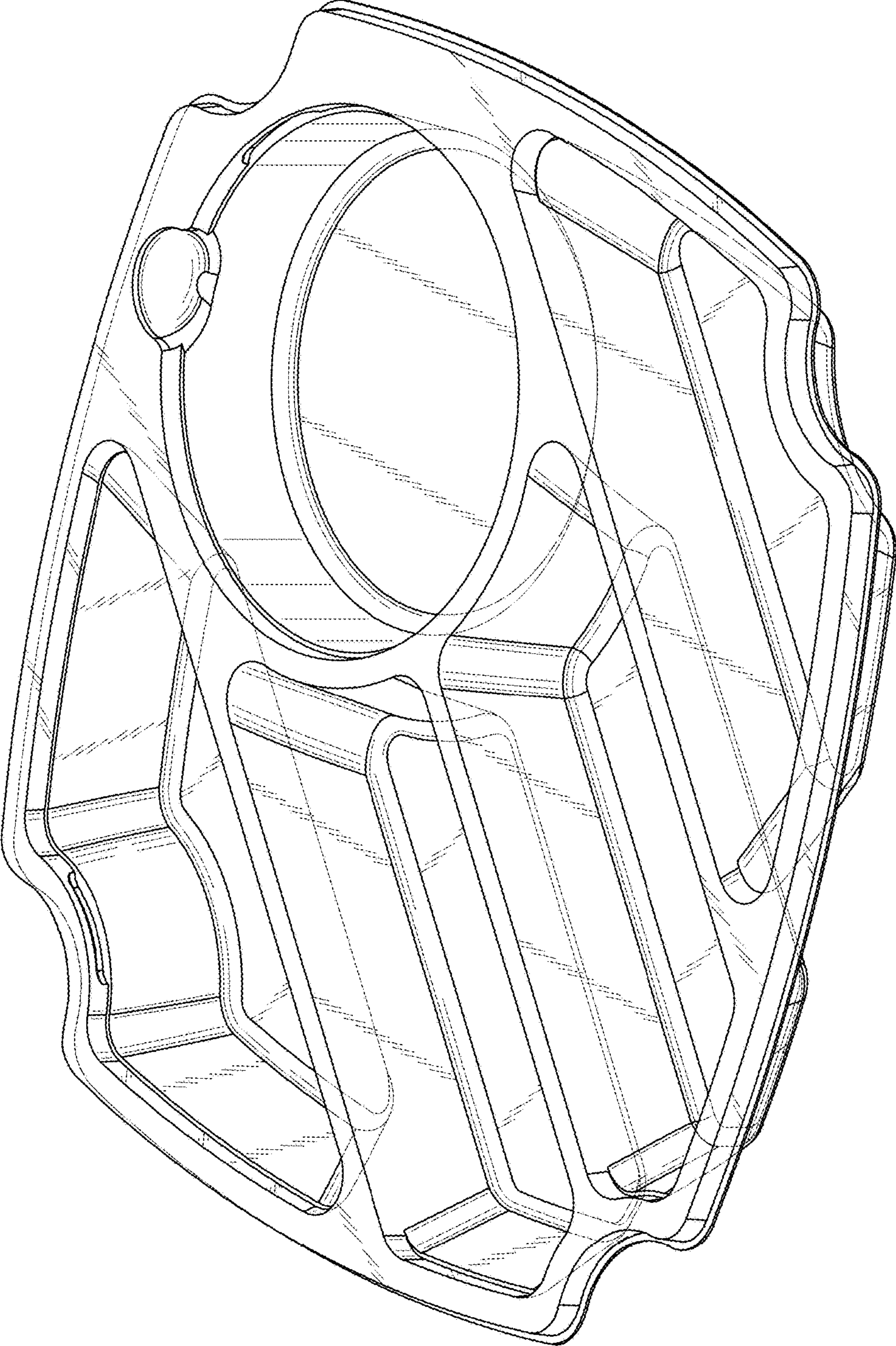


FIG. 1

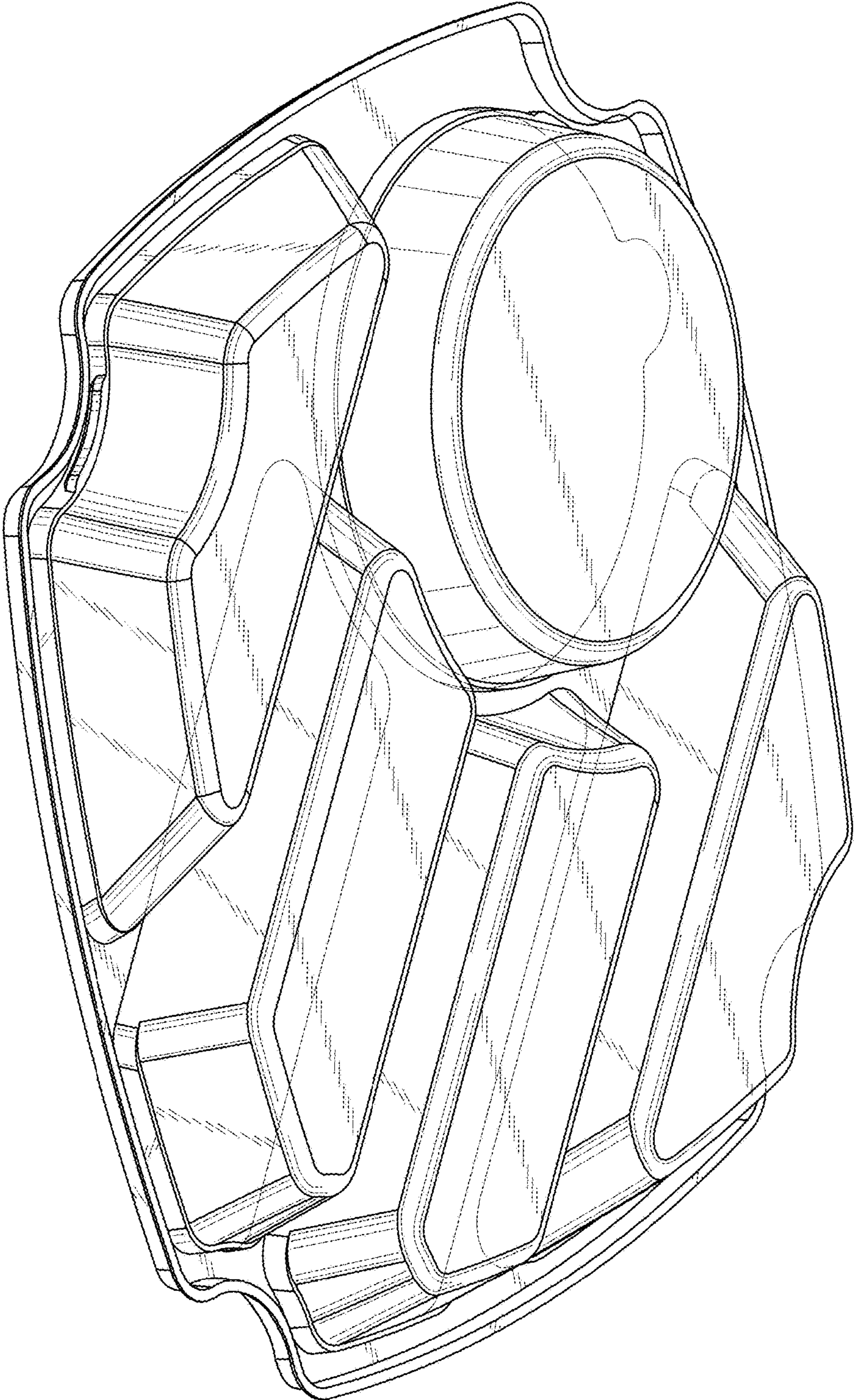


FIG. 2

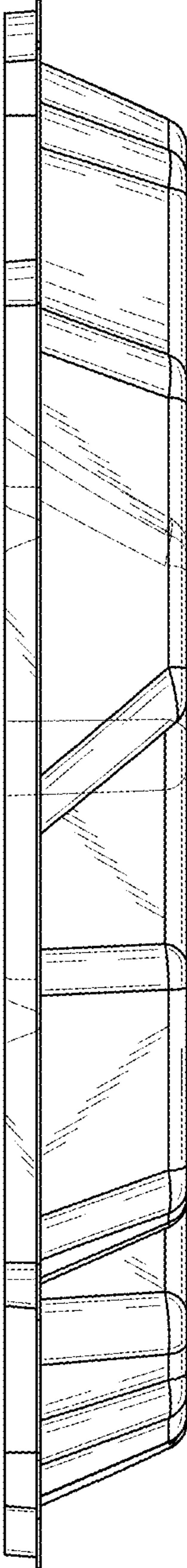


FIG. 3

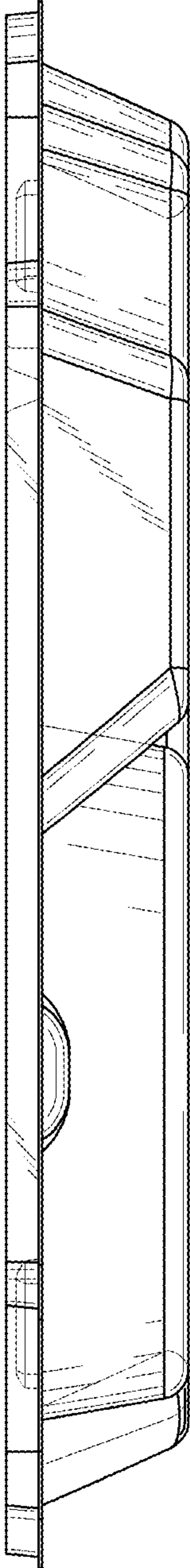


FIG. 4

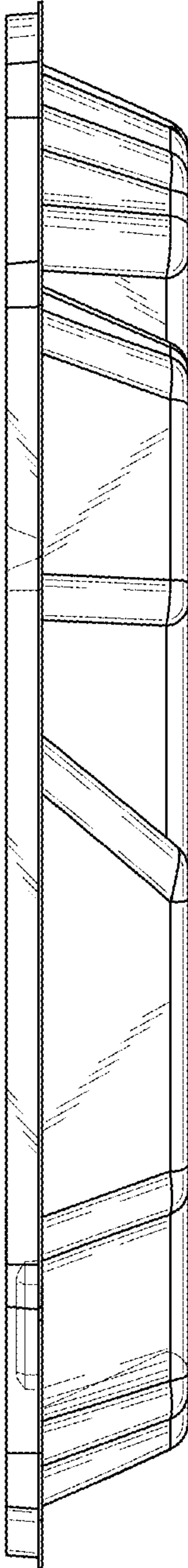


FIG. 5

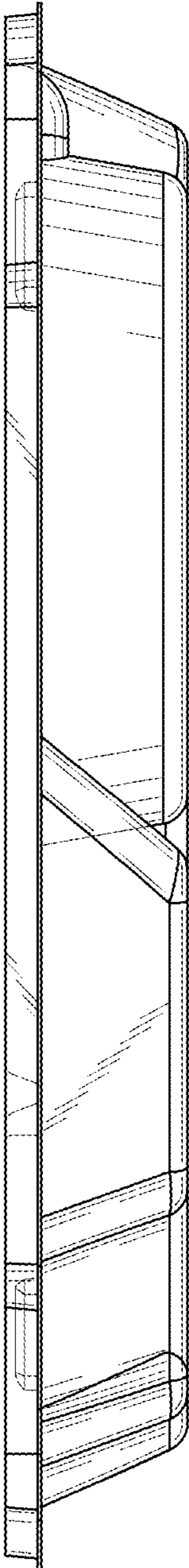


FIG. 6

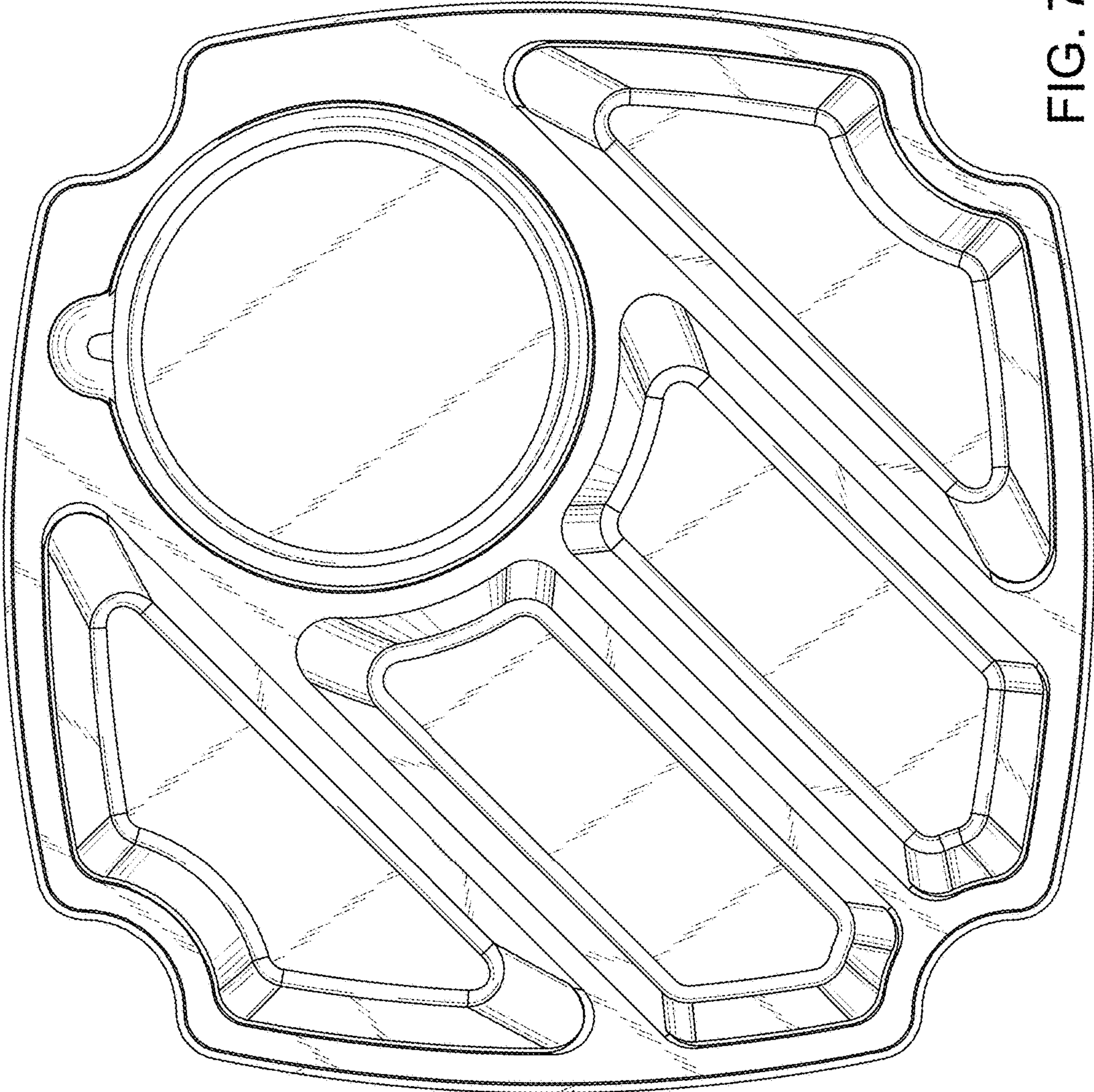


FIG. 7

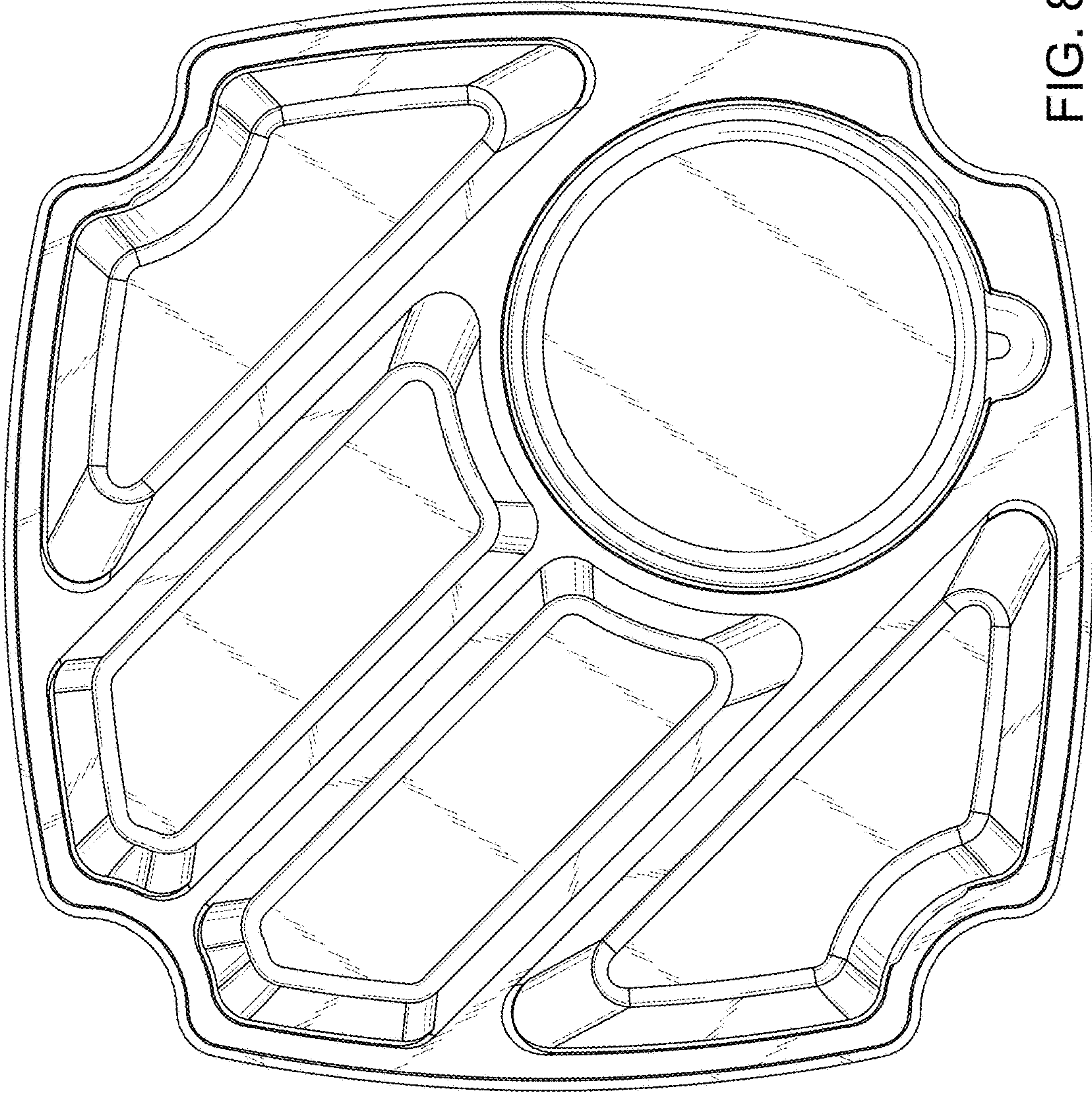


FIG. 8