



US00D804960S

(12) **United States Design Patent**
Krisanda

(10) **Patent No.:** **US D804,960 S**

(45) **Date of Patent:** **** Dec. 12, 2017**

- (54) **APPLICATOR**
- (71) Applicant: **SKM INDUSTRIES, INC.**, Olyphant, PA (US)
- (72) Inventor: **Stephen Krisanda**, Olyphant, PA (US)
- (73) Assignee: **SKM Industries, Inc.**, Olyphant, PA (US)

- 6,238,120 B1 * 5/2001 Mark A45D 19/02
401/134
 - 6,386,782 B1 * 5/2002 White, Sr. B05C 17/0357
401/219
 - 7,182,541 B1 2/2007 Ziniti et al.
 - 7,281,875 B1 * 10/2007 Todd B05C 17/00516
401/208
 - D640,931 S * 7/2011 Swanson D9/667
- (Continued)

(**) Term: **15 Years**

(21) Appl. No.: **29/567,972**

(22) Filed: **Jun. 14, 2016**

(51) **LOC (10) Cl.** **09-01**

(52) **U.S. Cl.**
USPC **D9/726**

(58) **Field of Classification Search**
USPC D9/523, 548, 549, 572, 573, 723, 724,
D9/726; D24/112, 115, 130; D28/7, 9,
D28/73, 76, 85; 206/385, 438, 823;
222/206, 212, 213, 215; 604/295;
606/204.25

CPC A45D 34/04; A45D 34/042; A45D 40/00;
A45D 40/26; A45D 40/262; B05C
17/00513; B65D 1/023; B65D 47/18;
B65D 41/02; B65D 2203/00

See application file for complete search history.

(56) **References Cited**

U.S. PATENT DOCUMENTS

- 133,163 A * 11/1872 Lyndon et al. A45D 2/46
118/110
- 2,029,056 A * 1/1936 Carlson A45D 34/041
222/368
- 3,448,722 A * 6/1969 Krizman B05C 17/0357
118/207
- D248,732 S * 8/1978 Vollmar D9/697
- 5,302,043 A 4/1994 Velliquette
- 5,934,816 A 8/1999 Bruttomesso
- 6,010,266 A 1/2000 Schrepf

OTHER PUBLICATIONS

Titan Casters by Waxman Pneumatic Caster Wheel with Rigid Non-Swivel Top Plate, announced Apr. 2009, [online], site visited Jul. 21, 2017. Available from Internet, <URL: <http://www.amazon.com>>.*

Primary Examiner — Derrick Holland

Assistant Examiner — Janice Patyk

(74) *Attorney, Agent, or Firm* — Notaro, Michalos & Zaccaria P.C.

(57) **CLAIM**

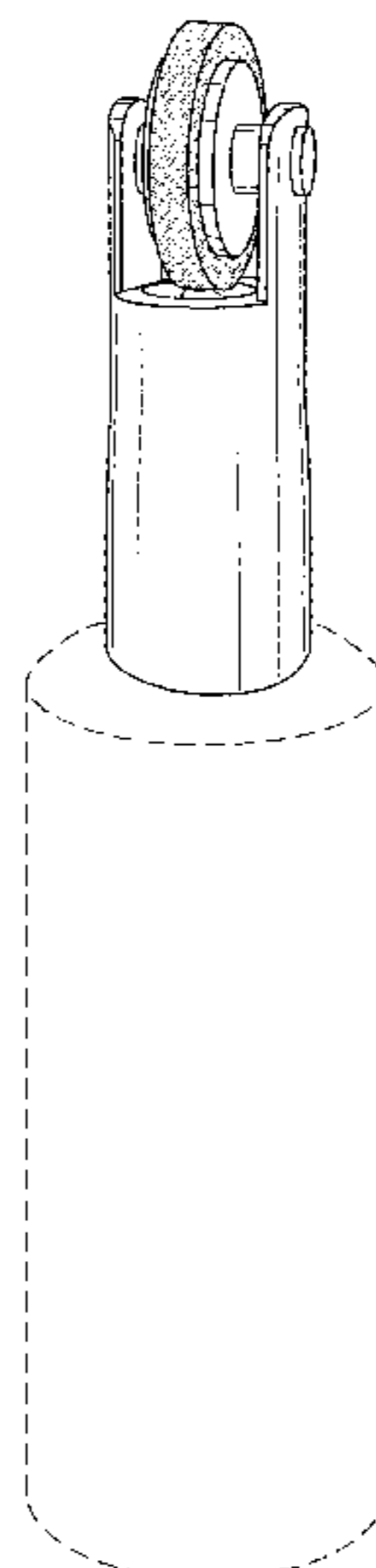
The ornamental design for an applicator, as shown and described.

DESCRIPTION

FIG. 1 is a front, right perspective view of an applicator showing our design therefor;
FIG. 2 is a front elevational view thereof;
FIG. 3 is a right side elevational view thereof;
FIG. 4 is a left side elevational view thereof;
FIG. 5 is a top plan view thereof; and,
FIG. 6 is a bottom plan view shown without the environmental subject matter for ease of illustration.

The broken lines in the figures illustrate the portions of the design that form no part of the claimed design. Broken lines in FIGS. 1-6 illustrate environmental subject matter that form no part of the claimed design. None of the broken lines form any part of the claimed design.

1 Claim, 5 Drawing Sheets



(56)

References Cited

U.S. PATENT DOCUMENTS

D654,376 S * 2/2012 Song D9/726
D659,549 S * 5/2012 Fera D28/7
D688,953 S 9/2013 Korper et al.
8,899,862 B2 12/2014 Korper et al.
2004/0197130 A1* 10/2004 Major B43M 11/02
401/219
2006/0239760 A1 10/2006 Chen
2014/0119808 A1 5/2014 Korper et al.

* cited by examiner

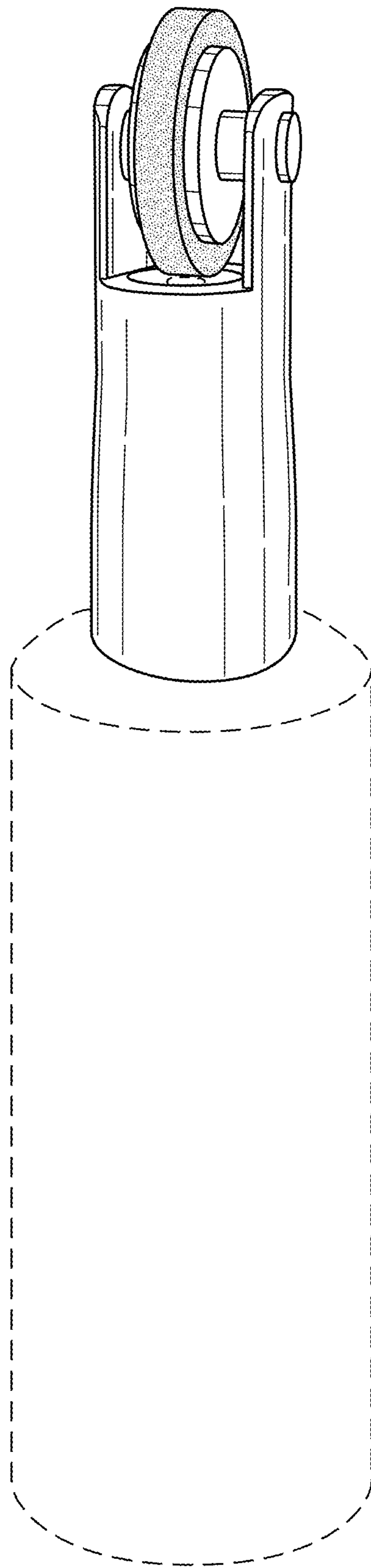


FIG. 1

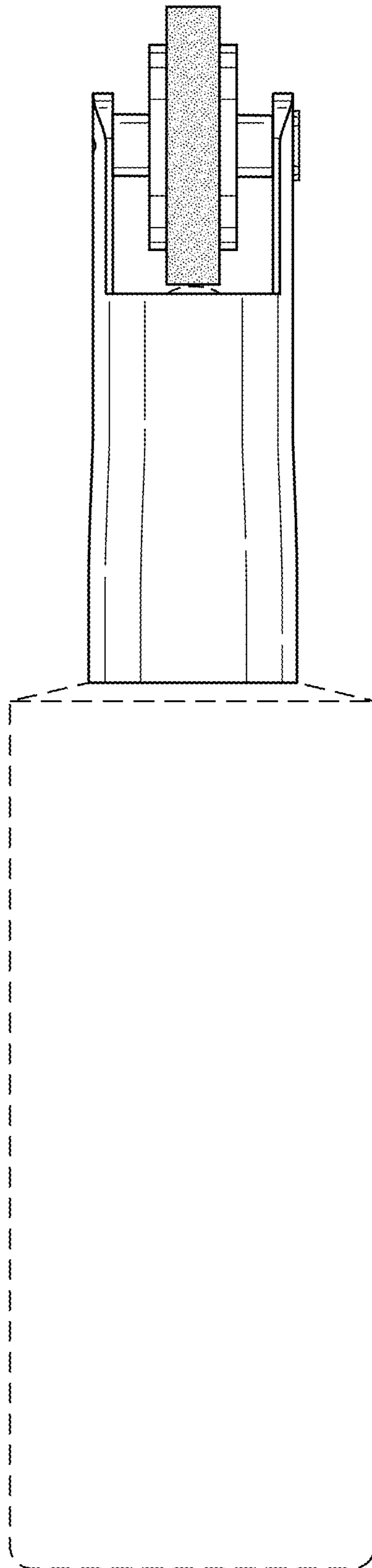


FIG. 2

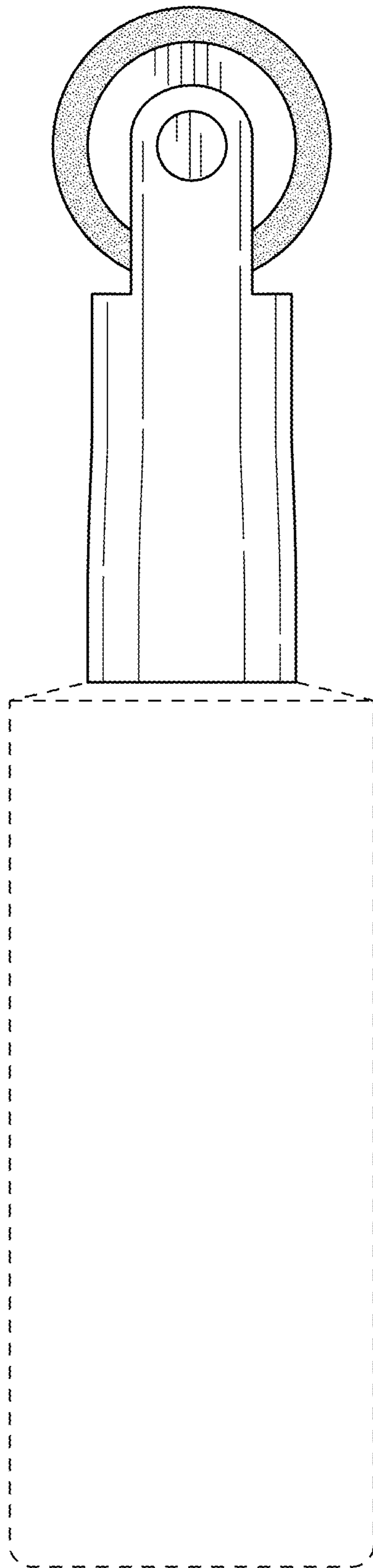


FIG. 3

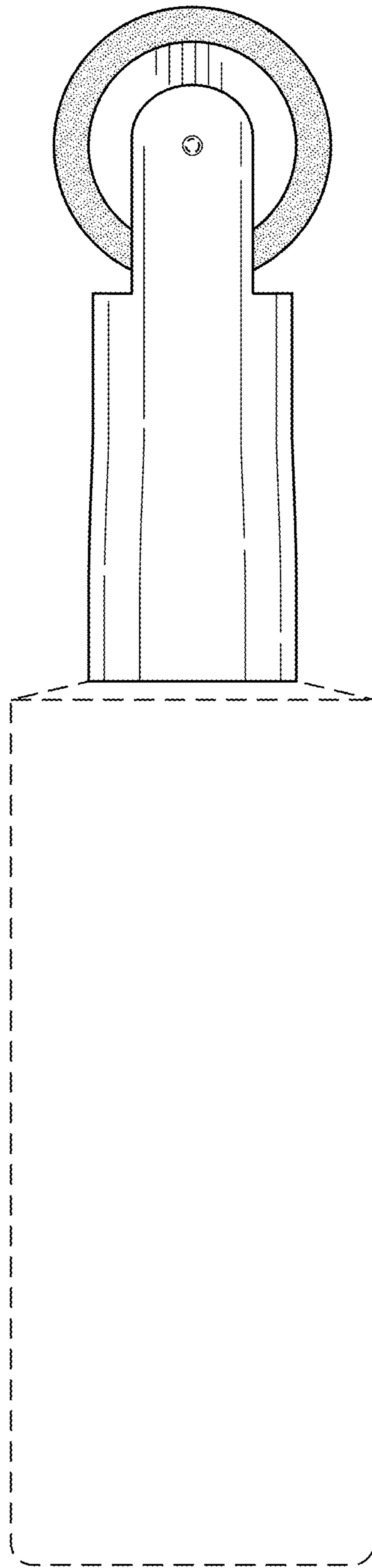


FIG. 4

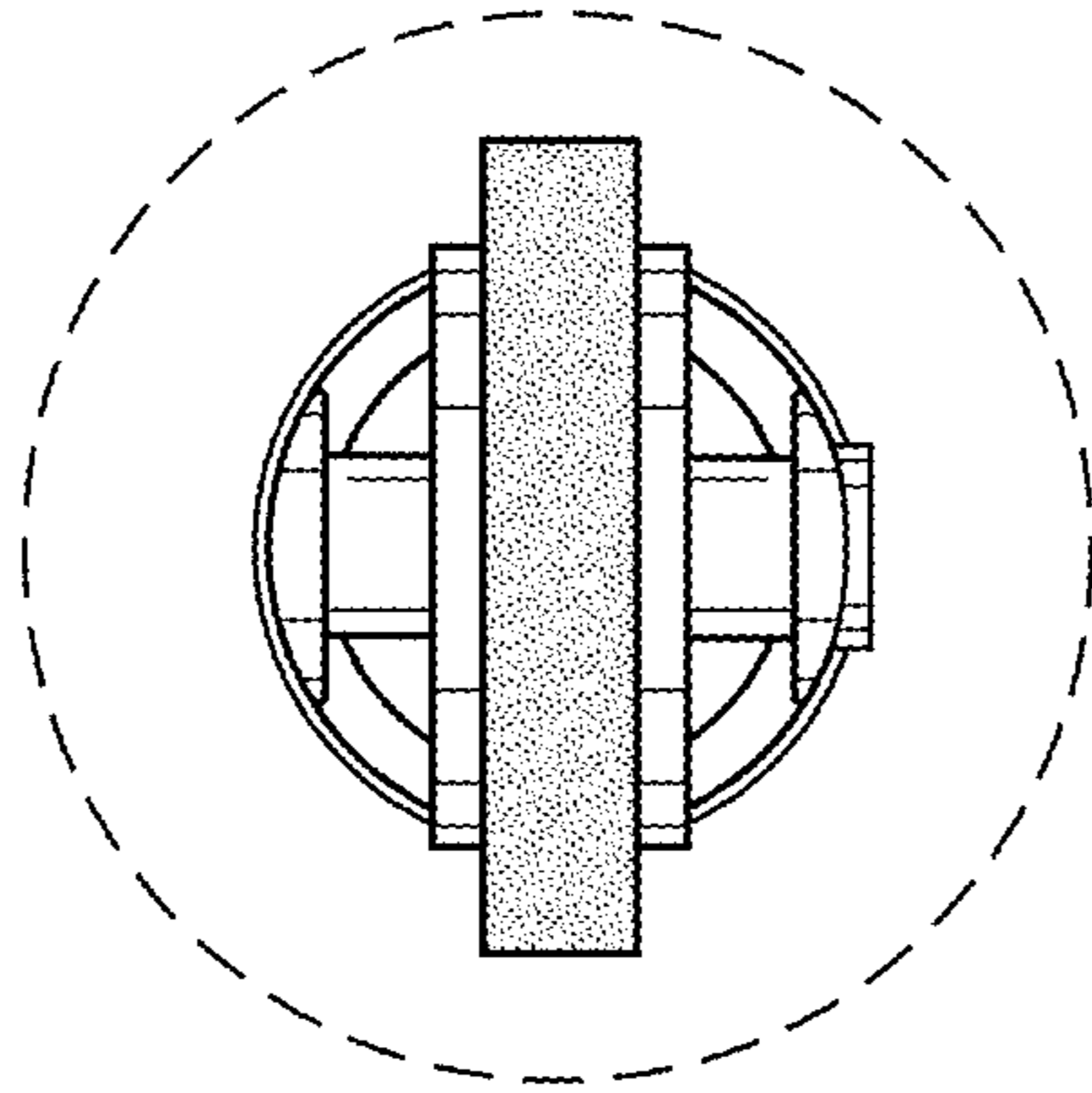


FIG. 5

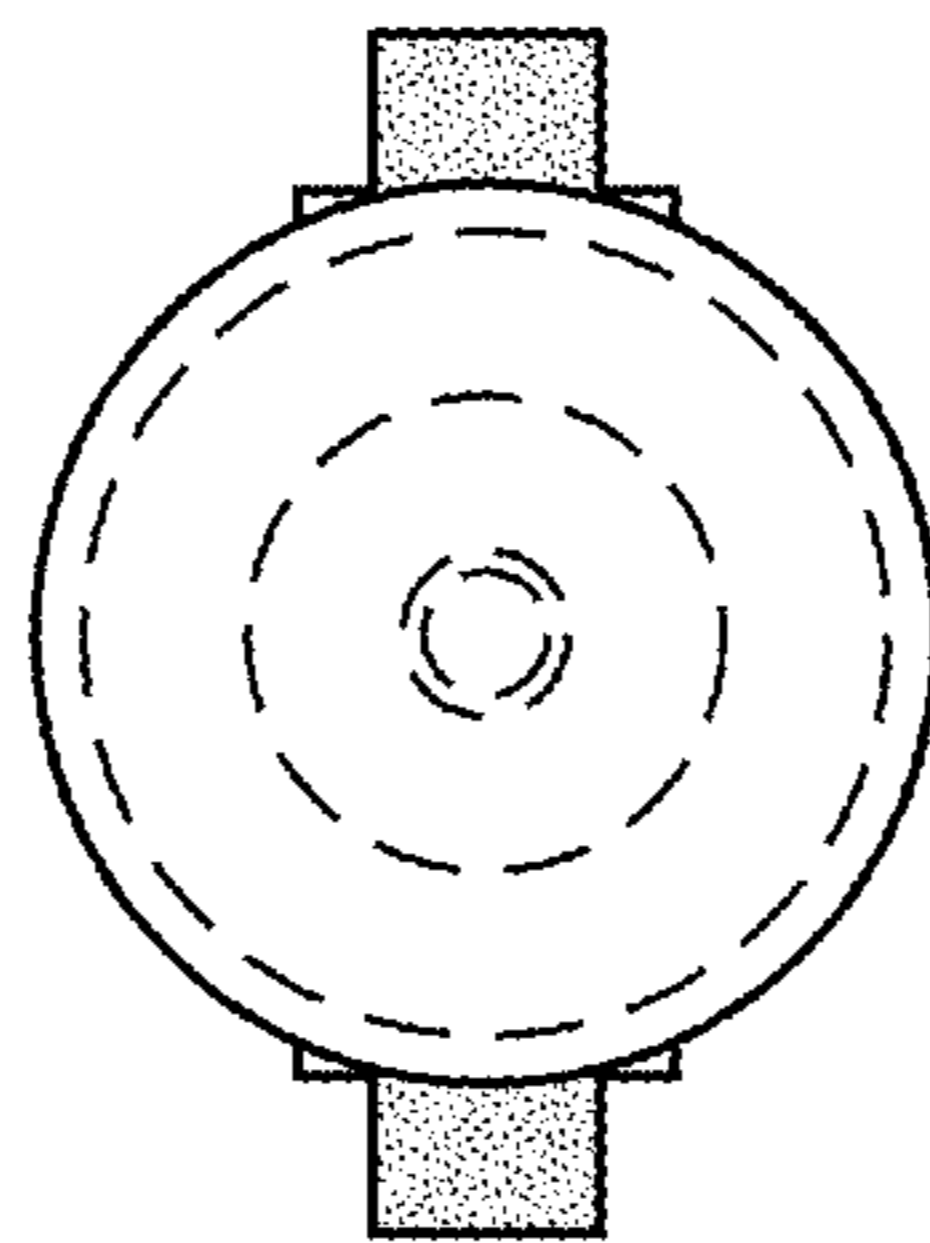


FIG. 6